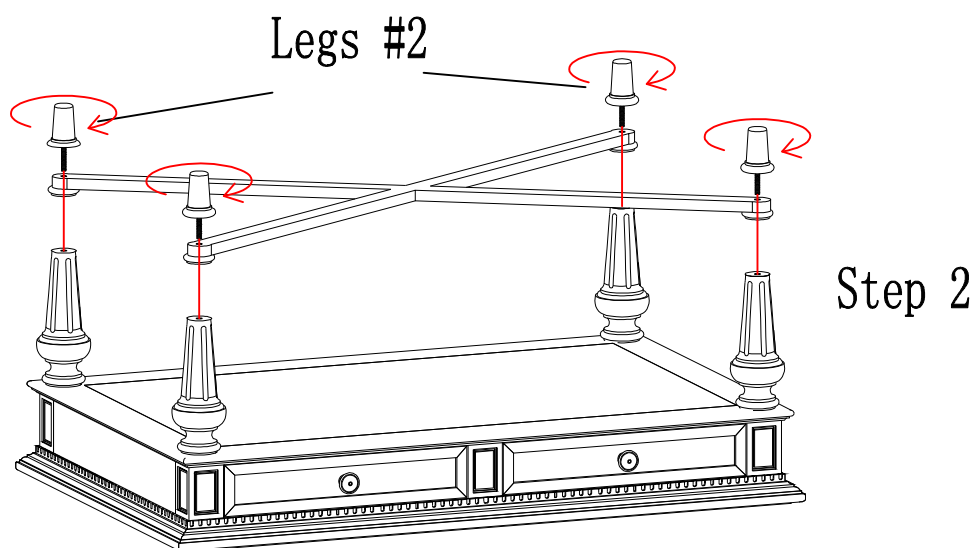
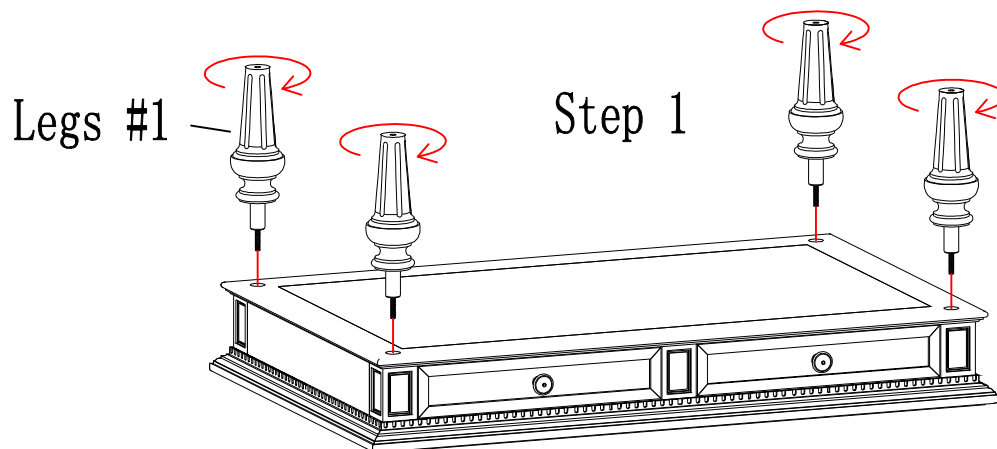


HEKMAN

ASSEMBLY INSTRUCTIONS

23301- *Large Coffee Table*

A HOWARD MILLER COMPANY



Place the table top upside down on soft and clean surface to prevent scratching

Step 1: Attach the legs (#1) onto the table top

Step 2: Assemble the stretcher to 4 legs (#1), assemble legs (#2) by turning clockwise.

Step 3: Set the table upright.

MADE IN VIETNAM