



ADA/ANSI Transfer Showers

SECTIONAL GELCOAT OR SOLID SURFACE

AQUARIUS BATHWARE™

G 3637 BF 3P RRF

OD: 40.25" x 38.5" x 77.5"

ID: 36" x 36" Center Point

Weight: 165

Load Factor: 1.06

Handed By: Valve Wall L/R

This unit complies with ANSI Z124.2, ICC/ANSI A117.1, ASTM F462, ASTM E84, UPC, HUD, ADA, ABA, SBCCI, NAHB, UFAS.

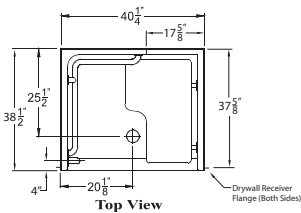
Also available as a MAS compliant unit.

Warranty: Gelcoat models have a 3 year limited warranty. Acrylic models have a 5 year limited warranty. Pumps, parts, and accessories 1 year limited warranty. For further details please refer to the complete warranty section.

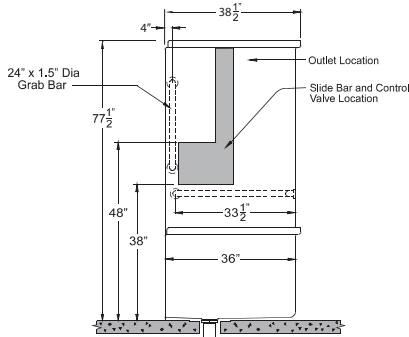
Due to the nature of the materials, dimensions may vary +/- 1/2".



Photograph Illustrates Package One - Handed by Valve Wall Right

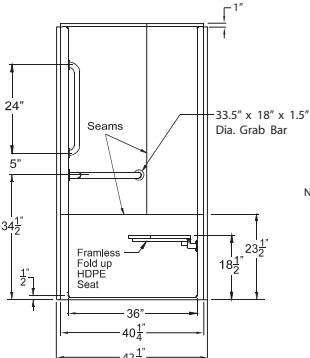


Top View



Side View

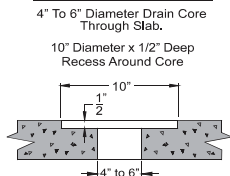
NOTE: Back wall grab bar on right handed version must be un-bolted during shower installation.



Front View

NOTE: Due to the nature of the materials, dimension may vary +/- 1/2".

DETAIL OF DRAIN CORE AREA

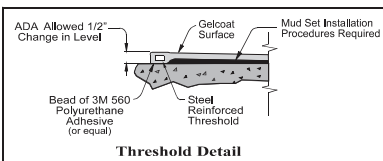


FRAMING DIMENSIONS

A	B	C	D
40 1/2"	37 5/8"	25 1/2"	12 3/8"

10" Diameter x 1/2" Deep Recess Around Drain Core

- Refer to pages 67 & 68 to view corresponding framing detail.
- 10" Diameter x .5" deep recess around drain core



Threshold Detail

For more sectional options see our Renaissance Renovation Series at www.aquariusproducts.com.



HDPE (high density polyethylene) seats used by Praxis Companies, LLC contain recycled materials.

PKG ONE - ADA/ANSI: G 3637 BF 3P RRF

- .5" No Recess BF Threshold
- Mudget
- Handed by Valve Wall L/R
- White Polyester Gelcoat Finish

Factory Installed Accessories (Valve not included):

- L-Bar - 33.5" x 20" x 1.5" Smooth SS
- S-BAR - 24" x 1.5" Smooth SS
- 32" X 21" Frameless White HDPE Fold Up Seat
- 1" OD 18 Gauge SS Curtain Rod with Rod Cups
- Self-Locking Push Pins
- Receiver Flanges- Both Sides

For ADA/ANSI compliance, 0.5" curb allowed. Installed accessories must include L-Bar, L-Seat, pressure balancing mixing valve, hand-held shower with slide bar, vacuum breaker and 60" hose. An additional vertical S-Bar is required for ANSI compliance. Unit and accessories installed per ADA/ANSI and Praxis Installation and warranty guidelines.

BUILD TO ORDER BASE PLUS ACCESSORIES

BASE UNIT 1: G 3637 BF 3P RF

- Specify Threshold Height
- Mudget
- Handed by Valve Wall L/R
- Reinforced for Standard Accessories
- Self-Locking Push Pins

BASE UNIT 2: G 3637 BF 3P RRF EB

- .625" No Recess BF Threshold
- EasyBase™
- Handed by Valve Wall L/R
- Reinforced for Standard Accessories
- Self-Locking Push Pins

BASE UNIT OPTIONAL ACCESSORIES

Standard Finish - Polyester Gelcoat:

- White
- Bone
- Biscuit

Premium Finish - CenturyStone™ Solid Surface:

- Solid - White, Bone or Biscuit
- Natural - Granite Finishes

Grab Bars

- S-Bar - 24" x 1.5" Smooth SS
- S-Bar - 24" x 1.25" Smooth White CC
- S-Bar - 24" x 1.25" Peened SS
- L-Bar - 33.5" x 20" x 1.5" Smooth SS
- L-Bar - 33.5" x 20" x 1.25" Smooth White
- L-Bar - 33.5" x 20" x 1.25" Peened SS

Inside Curtain Line Seats (Revised ADA-ABA 2004)

- 32" X 21" Frameless White HDPE Fold Up Seat
- 32" X 21" Frameless White Padded Fold Up Seat
- 32" X 21" Frameless Woodgrain Phenolic Fold Up Seat

Full Depth of Stall Seats (ADAAG 1991-2002)

- 34.5" X 21" Frameless White HDPE Fold Up Seat
- 34.5" X 21" Frameless White Padded Fold Up Seat
- 34.5" X 21" Frameless Woodgrain Phenolic Fold Up Seat

Factory Modifications

- Valve Drilling - Specify Hole Size
- .5" No Recess BF Threshold
- Wood Reinforcement for HUD
- Full Wood Reinforcement
- ArmorShield P3 Protection
- Install 30" Slide Bar / HS Kit
- Install SS Soap Dish - Recessed
- Install Standard Symmons Valve Package
- Nurse Call Box Drilling - Specify Location
- 1" OD 18 Gauge SS Curtain Rod with Rod Cups
- 1" OD 18 Gauge White Curtain Rod with Rod Cups
- Curtain Rod U-Cup Holder - Pair

Field Installed Accessories (Shipped Loose)

- No Caulk Drain - Chrome
- Semi-Permanent Threshold
- Collapsible Dam - White 42"
- Caps for Collapsible Dam - Pair
- Curtain - Premium 42" x 72" White Nylon Weighted
- Curtain - Heavy Duty 42" x 72" White Vinyl Weighted