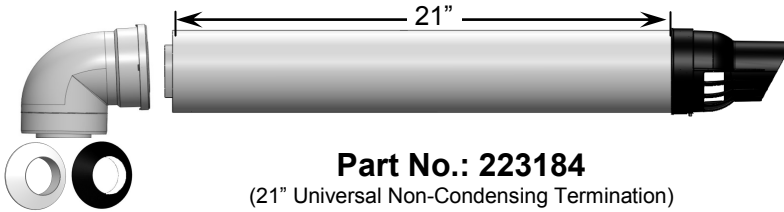



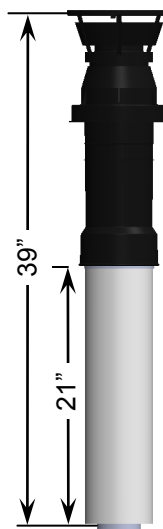
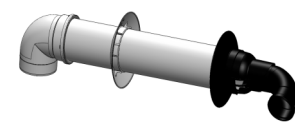


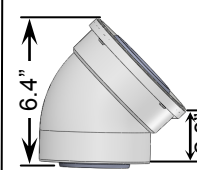
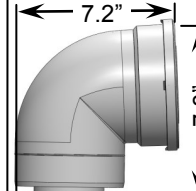
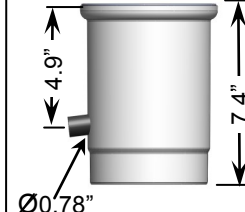


### Ubbink Vent Components - Concentric Non-Condensing

- For concentric venting, non-condensing models.
- Current water heater models incorporate a condensate collector and do not require an “adapter” vent component. (For models manufactured prior to 2008 a separate condensate collector is available)
- Plastic vent components consist of an outer plastic vent for the air intake (Ø5”) and an inner metal vent for the exhaust gases (Ø3”). Metal vent components consist of metal inner and outer vents.
- Plastic and metal vent components are completely interchangeable.

Refer to the Rinnai Installation Manual and the Ubbink installation instructions for complete installation details and requirements.

#### PLASTIC VENT COMPONENTS

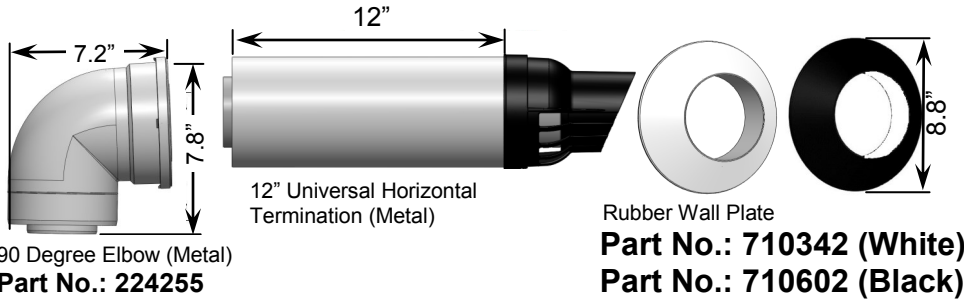
<p><b>Part No.: 223182</b> (21" Universal Non-Condensing Termination Kit)</p>  <p><b>Part No.: 223184</b> (21" Universal Non-Condensing Termination)</p>		<p>Roof Termination Extension Kit <b>Part No.: 185342</b></p> 	<p>Roof Discharge Termination 38" (Cold Climate) <b>Part No.: 184119</b></p> 								
<p><b>Part No.: 223181</b> (11.5" Universal Non-Condensing Termination Kit)</p>  <p><b>Part No.: 223183</b> (11.5" Universal Non-Condensing Termination)</p>		<p>Roof Discharge Termination 18" <b>Part No.: 184118-S</b></p> 									
<p>(21" Non-Condensing Horizontal Termination Diverter Kit) <b>Part No.: 223187</b></p> 	<p>Rubber Wall Plate <b>Part No.: 710342 (White)</b> <b>Part No.: 710602 (Black)</b></p> 										
<p>Vent Pipe Extension</p> <table border="1"> <thead> <tr> <th>Length "L"</th> <th>Part Number</th> </tr> </thead> <tbody> <tr> <td>10"</td> <td>224051</td> </tr> <tr> <td>19.5"</td> <td>224052</td> </tr> <tr> <td>39"</td> <td>224053</td> </tr> </tbody> </table> <p>Telescoping Vent Length <b>Part No.: 224054</b></p>  <p>Effective Length 2.2-12 Inches</p>	Length "L"	Part Number	10"	224051	19.5"	224052	39"	224053	<p>45 Degree Elbow <b>Part No.: 224050</b></p> 	<p>90 Degree Elbow <b>Part No.: 224063</b></p> 	<p>Condensate Collector <b>Part No.: 224069</b></p> 
Length "L"	Part Number										
10"	224051										
19.5"	224052										
39"	224053										

# Ubbink Vent Components - Concentric Non-Condensing

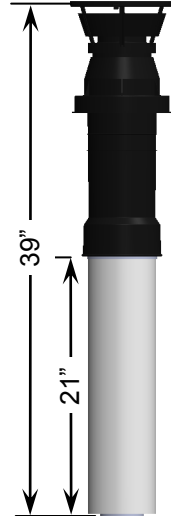
## METAL VENT COMPONENTS

### Universal Termination Kit (Metal)

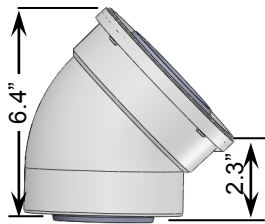
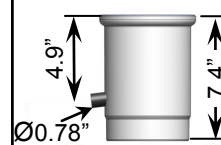
Part No.: 223188



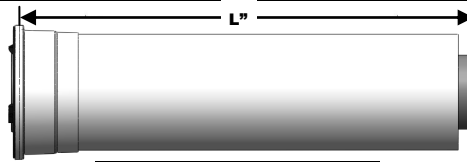
Roof Termination (Metal)  
Part No.: 184127



Condensate Collector (Metal)  
Part No.: 224245

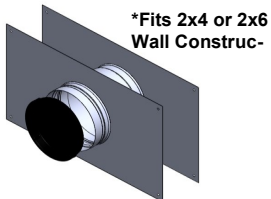


45 Degree Elbow (Metal)  
Part No.: 224250

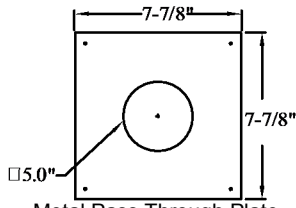


Length "L"	Part Number
10"	224260
19.5"	224265
39"	224270

## ACCESSORIES



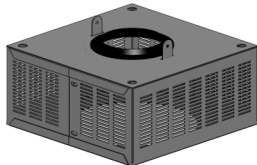
Thimble  
Part No.: 224045



Metal Pass Through Plate  
Part No.: 224097

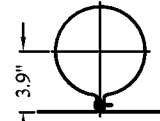


Roof Pitch	Part No. for Shingle Roofs	Part No. for Tile Roofs
1/12 to 6/12	189950	50171949
6/12 to 12/12	189951	50171961
8/12 to 16/12	189952	50171954

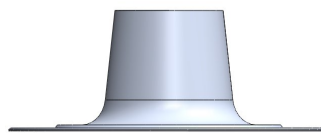


Universal Bug Guard  
Part No.: 224042

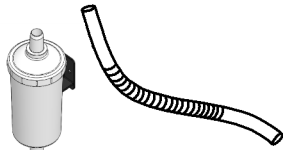
\*Included with Roof



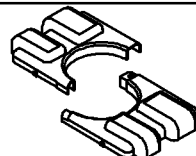
Pipe Clamp  
Part No.: 169044



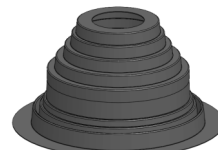
Roof Flashing—Flat  
Part No.: 146141



Condensate Trap  
Part No.: 222053

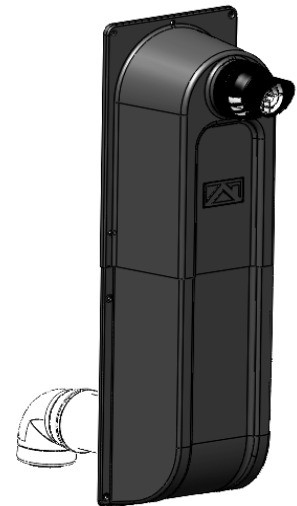


NSF Cover  
Part No.: 224040



Flashing for Metal Roof  
Part No.: 242141

Raised Horizontal Termination Kit "Snorkel"  
Part No.: 224046



Kit Includes:  
14.2" Vent Extension, Qty 3-90° Elbow,  
19.5" Vent pipe extension, Special wall  
terminal, Cover.

Rinnai America Corporation • 103 International Drive, Peachtree City, GA 30269

Toll-Free: 1-800-621-9419 • Phone: 678-829-1700 • www.rinnai.us

©2013 Rinnai America Corporation. Rinnai is continually updating and improving products; therefore, specifications are subject to change without prior notice. Local, state, provincial, federal and national fuel gas codes must be adhered to prior to and upon installation.