

KALLISTA®

Per Se® by KALLISTA Air-Induction Showerhead with Arm P24712-00

Features

- Single-function spray
- Easy-to-clean sprayface resists mineral buildup
- 1.75 gpm (6.6 lpm) maximum flow rate
- Wall-mount installation

Recommended Products/Accessories

P21652-00 Fixed Wall Bracket with Integrated Supply Elbow
P21486-00
P21487-00
P24761-00 Handshower with Hose
P24715-LV Pressure Balance Trim, Lever Handle
P22079-00 Body Spray
P21515-00 Air-Induction ECO Soft Modern Rain Showerhead



Codes/Standards




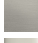


ASME A112.18.1/CSA B125.1
DOE - Energy Policy Act 1992
EPA WaterSense®
California Energy Commission (CEC)

KALLISTA® Five-Year Limited Warranty

See website for detailed warranty information.

Available Colors/Finishes

Color tiles intended for reference only.

Color	Code	Description
	CP	Polished Chrome
	AF	French Gold
	BAF	Brushed French Gold
	BN	Brushed Nickel
	SN	Polished Nickel
	BV	Brushed Bronze

1-888-4-KALLISTA (1-888-452-5547)

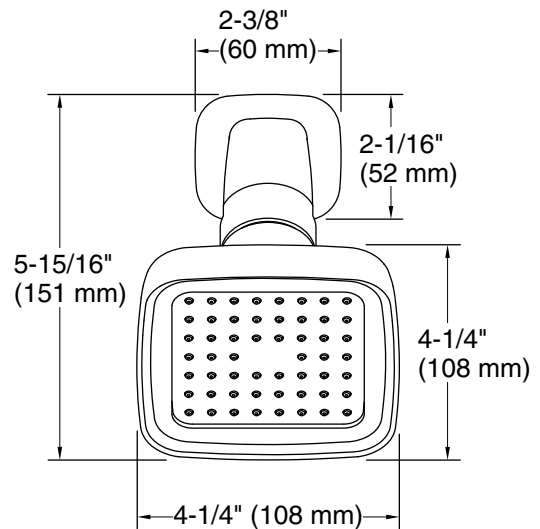
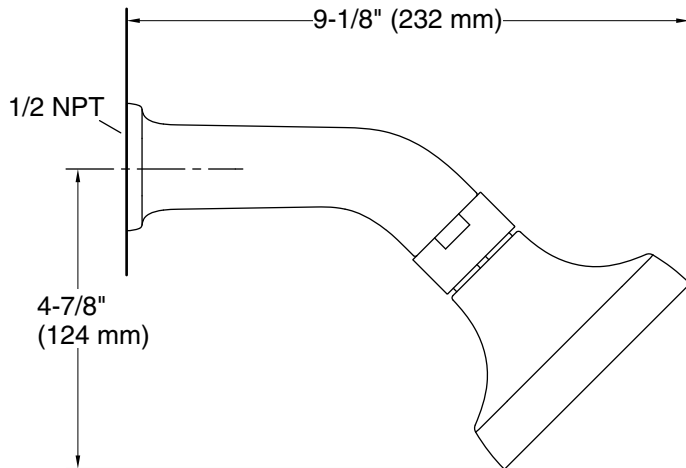
Kallista reserves the right to make revisions without notice to product specifications.

For the most current Specification Sheet, go to www.kallista.com.

3-15-2026 20:11 - US/CA

KALLISTA®

Per Se® by KALLISTA
Air-Induction Showerhead with Arm
P24712-00



Technical Information

All product dimensions are nominal.

Shower/Rainhead rated max flow: 1.75 gal/min (6.6 l/min)

Notes

Install this product according to the installation instructions.