

ASSEMBLY INSTRUCTION

PASCAL COLLECTION


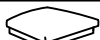





MODEL : D1652-22 PASCAL LADDERBACK COUNTER CHAIR
(2 Per Carton)






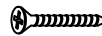

Thank you for purchasing this quality product. Be sure to check all packing materials carefully for small parts, which may have come loose inside the carton during shipment. Identify and count all items and compare with the parts list and/or hardware list shown below.

Please read all instructions carefully. See the hardware and furniture part listing for guidance. Be sure you have all parts listed before beginning assembly. Place all wooden parts on a clean, flat surface to protect the finish from scratches. Follow the diagram to assemble.

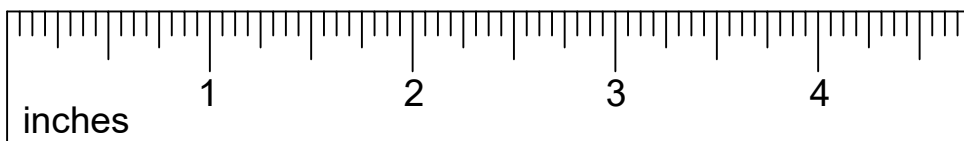
CAUTION

1. Do not fully tighten the nuts or bolts until the table is fully assembled.
2. Please tighten by hand, not by a drill. Overtightening will damage threads. Do not overtighten.
3. Keep all hardware out of the reach of children.

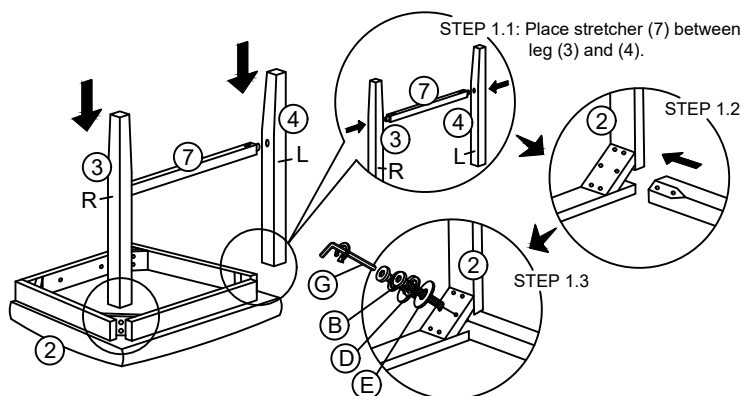
PARTS LIST			
ITEM	DESCRIPTION	SKETCH	QTY
1	BACKREST		2 PCS
2	SEAT		2 PCS
3	RIGHT LEG WITH LABEL "R"		2 PCS
4	LEFT LEG WITH LABEL "L"		2 PCS
5	RIGHT STRETCHER WITH LABEL "R"		2 PCS
6	LEFT STRETCHER WITH LABEL "L"		2 PCS
7	FRONT STRETCHER		2 PCS

HARDWARE LIST			
ITEM	DESCRIPTION	SKETCH	QTY
A	JCBC SCREW M6 x 1-3/8"		4 PCS
B	JCBC SCREW M6 x 2-3/8"		8 PCS
C	JCBC SCREW M6 x 3-3/16"		8 PCS
D	SPRING WASHER M6 x 7/16"		20 PCS
E	FLAT WASHER M6 x 6/8"		20 PCS
F	CSK C/B SCREW (M4 x 1-1/2")		12 PCS
G	M4 ALLEN KEY (3-15/16")		1 PC

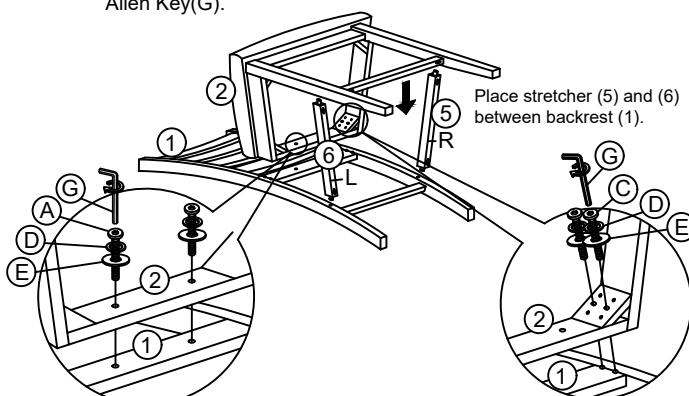
HARDWARE DIMENSIONS VERIFICATION TOOL



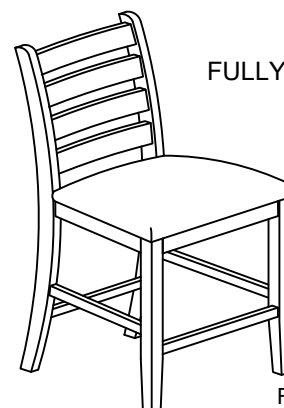
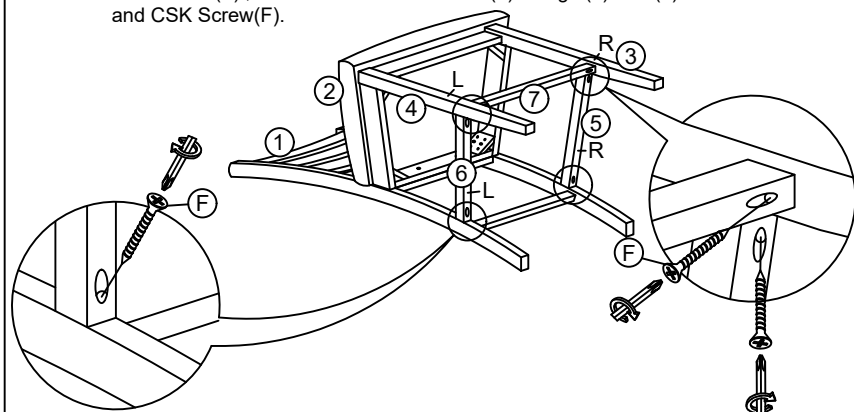
STEP 1: Assemble each leg (3) and (4) to seat (2) with Flat Washer(E), Spring Washer(D) and JCBC Screw(B) as shown and tighten with Allen Key(G).



STEP 2: Assemble each backrest (1) to seat (2) with Flat Washer(E), Spring Washer(D) and JCBC Screw(A) and (C) as shown and tighten with Allen Key(G).



STEP 3: Fix stretchers (5) and (6) to backrest (1) and legs (3) and (4) with screwdriver and CSK Screw(F), then screw front stretcher (7) to legs (3) and (4) with screwdriver and CSK Screw(F).



FULLY SET-UP

R
L
MADE IN MALAYSIA