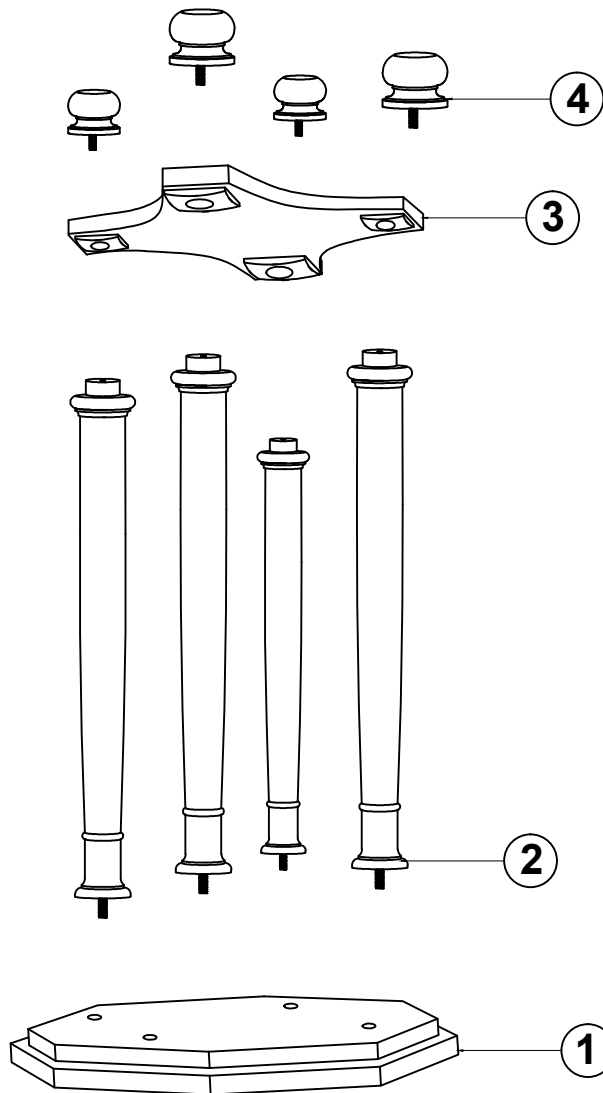
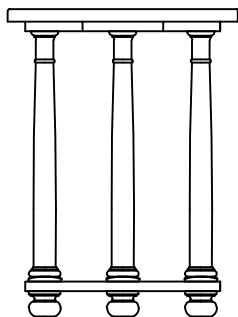


HEKMAN

ASSEMBLY INSTRUCTION 11105-PILLAR END TABLE



Please tighten Table Legs (1) first and assemble Shelf (3) then tighten Table Legs 2.



Part	Description	Qty
1.	Table Top	1 pc
2.	Table Leg 1	4 pcs
3.	Shelf	1 pcs
4.	Table Leg 2	4 pcs