

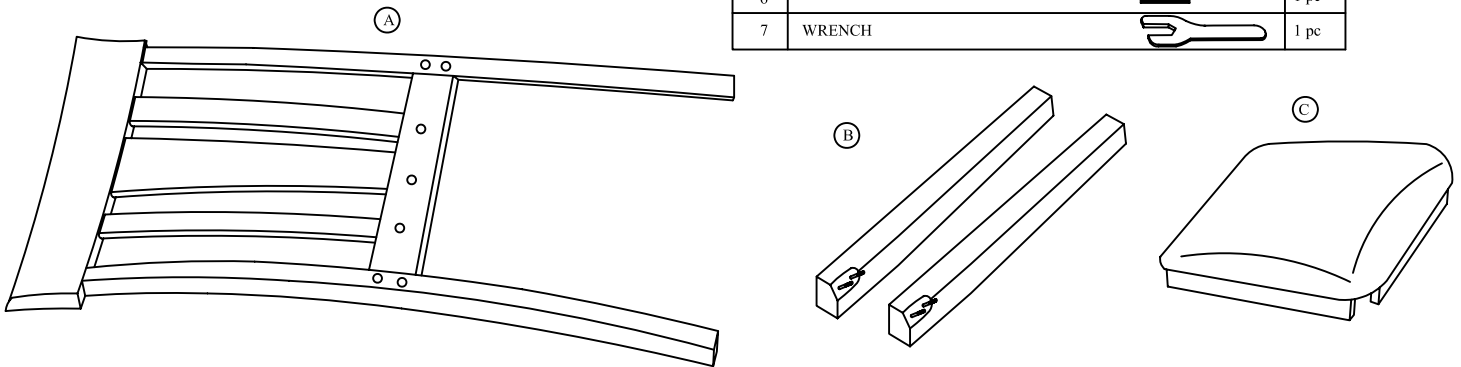
# ASSEMBLY INSTRUCTION

## DESCRIPTION: BLACK DINING CHAIR - SLATS BACK

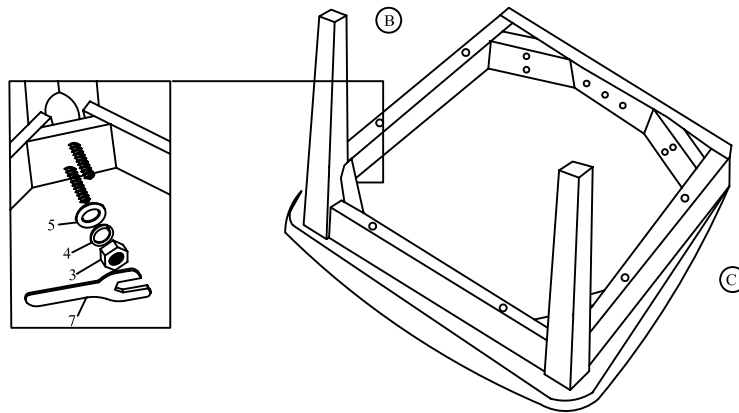
Read this instruction carefully. Refer hardware and furniture parts list for guidance. Be sure all parts are complete before assembling. Place all wooden furniture part on a clean and flat soft surface to prevent scratches. Refer steps provided as assembling guide.

PART LIST		
ITEM	DESCRIPTION	QTY
A	CHAIR BACK	1 pc
B	CHAIR LEG	2 pcs
C	WOODEN SEAT	1pc

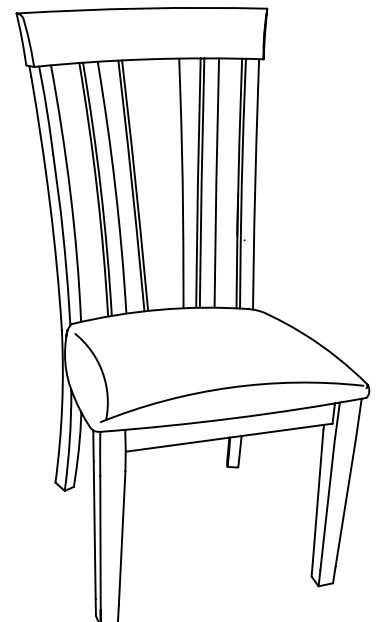
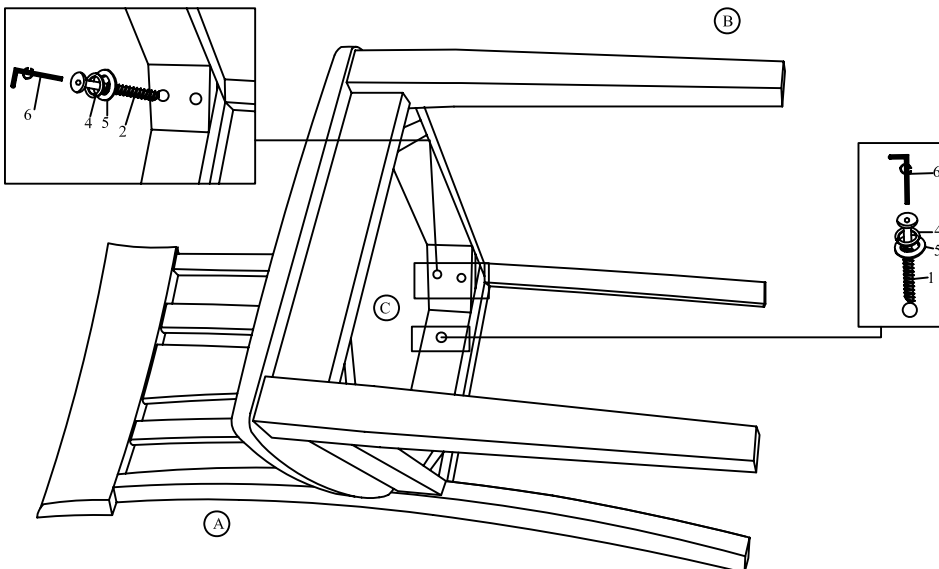
HARDWARE LIST		
ITEM	DESCRIPTION	QTY
1	SHORT BOLT $\phi$ 1/4" X 40mm	3 pcs
2	LONG BOLT $\phi$ 1/4" X 75mm	4 pcs
3	HEX NUT $\phi$ 5/16" X 1/2"	4 pcs
4	LOCK WASHER $\phi$ 5/16" X 1/2"	11 pcs
5	FLAT WASHER $\phi$ 5/16" X 1/2"	11 pcs
6	ALEN KEY	1 pc
7	WRENCH	1 pc



### STEP 1



### STEP 2



COMPLETELY ASSEMBLE.