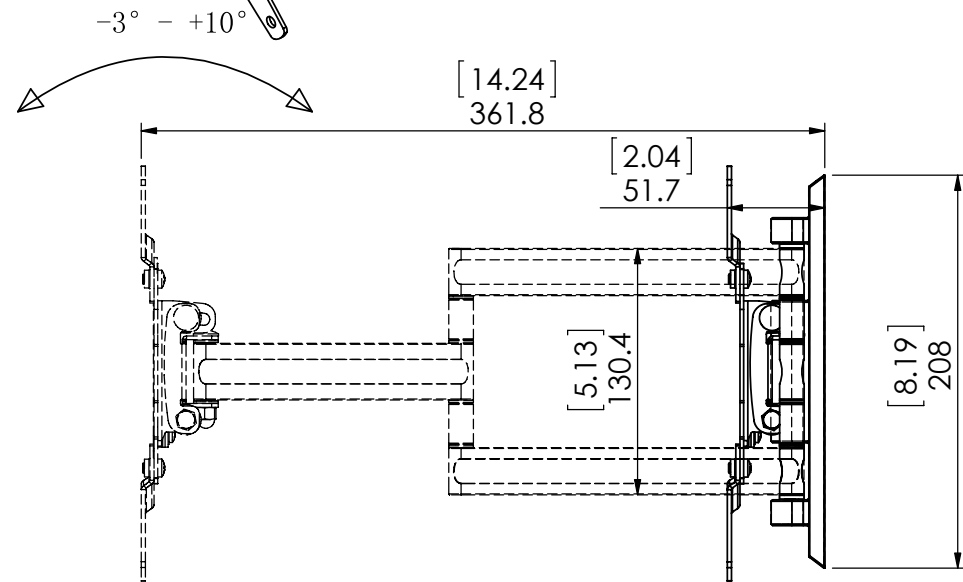
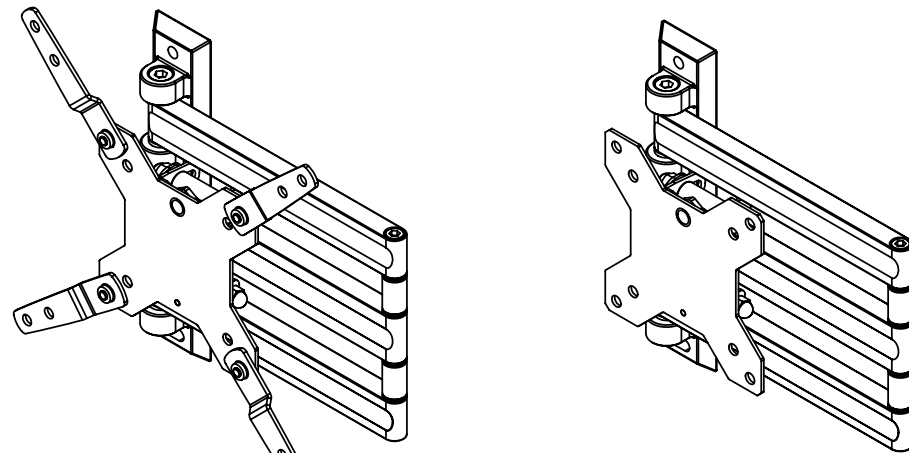
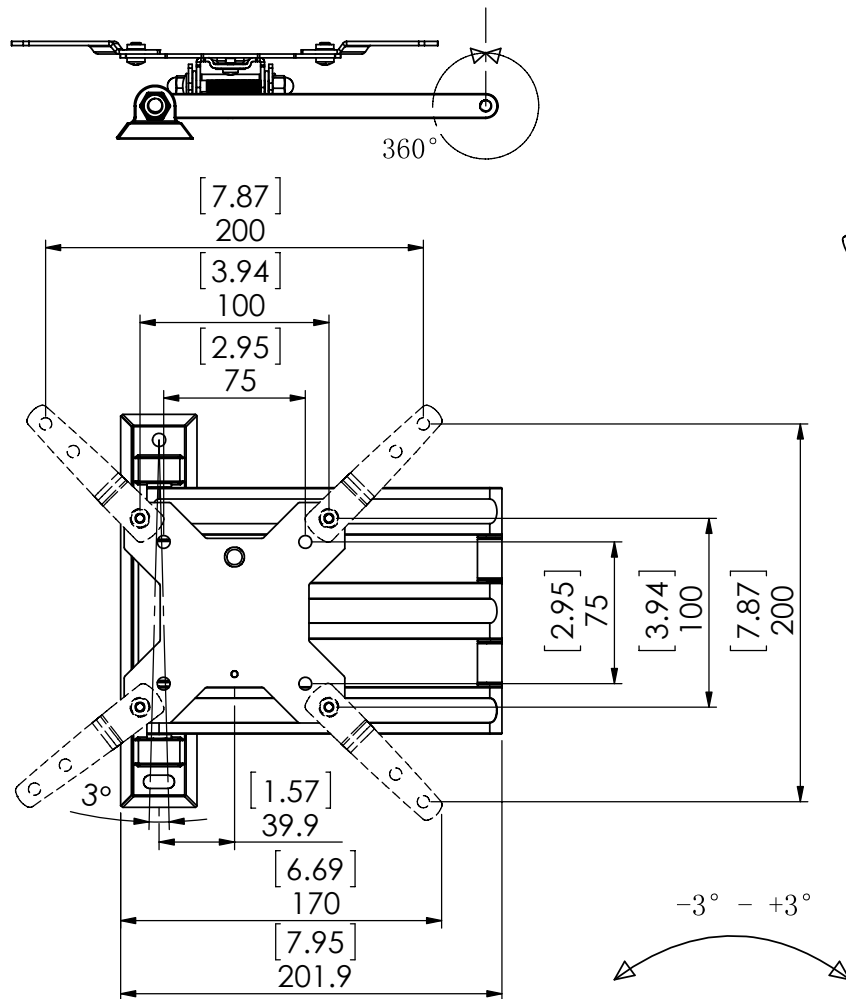


# ARM1337



**BRKT**  
B R A N D

WWW.BRKTBRAND.COM

NOTES: UNLESS OTHERWISE SPECIFIED

1. VESA STANDARD COMPATABILITY (WIDTH X HEIGHT): 75X75, 100X100, 200X100, 100X200, 200X200
2. MAXIMUM VESA MOUNTING CONFIGURATION: 200X200MM
3. SCREEN SIZE COMPATABILITY: MOST 13"-37" SCREENS
4. MAXIMUM WEIGHT CAPACITY: 35 LBS (15.9 KG)
5. PRODUCT COLOR: BLACK
6. VIEWING ANGLE INCREMENTS: -3° - +10°