
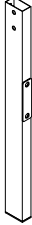
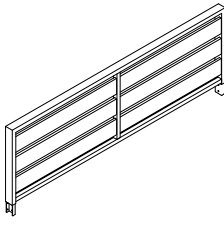
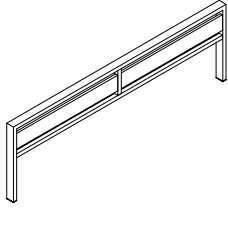
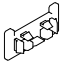
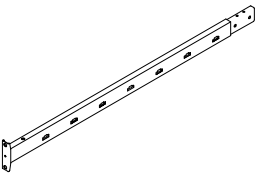
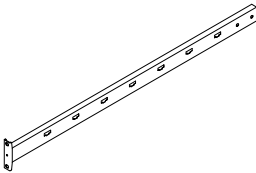
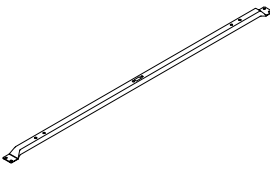


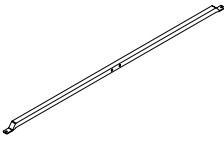
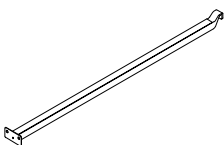

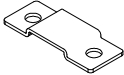








ASSEMBLY INSTRUCTION

METAL PLATFORM FULL BED METAL PLATFORM QUEEN BED

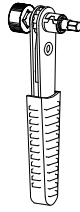
A Left Leg  1PC	B Right Leg  1PC	C Headboard  1PC	D Footboard  1PC
E Slat Connector  28PCS	F Rear Side Rail  2PCS	G Front Side Rail  2PCS	H Center Cross Bar  1PC
I Center Support Leg  2PCS	J Support Leg  2PCS	K Side Cross Bar  2PCS	L Center Rail  2PCS
M Slat  3PCS	N Bracket  65 x 25 x 2mm 2PCS	O Bolt  1/4" x 10mm 2PCS	P Bolt  1/4" x 17.5mm 2PCS
Q Bolt  1/4" x 22mm 14PCS	R Bolt  5/16" x 19mm 1PC	S Bolt  1/4" x 40mm 8PCS	T Nut  1/4" 8PCS
12PCS	8PCS	6PCS	6PCS

U Washer
1/4"



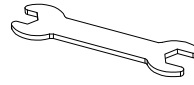
4PCS

V Ratchet Tool
4mm

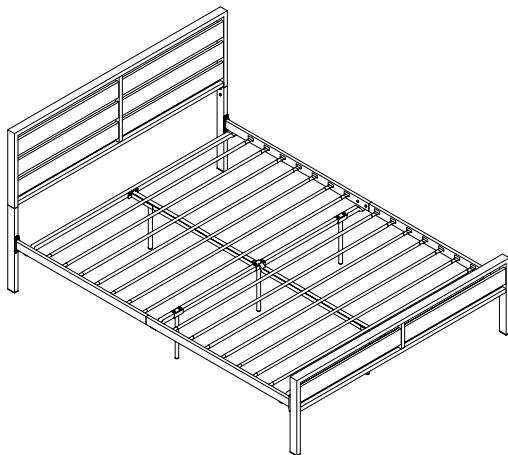


1PC

W Wrench
1/4" x 5/16"



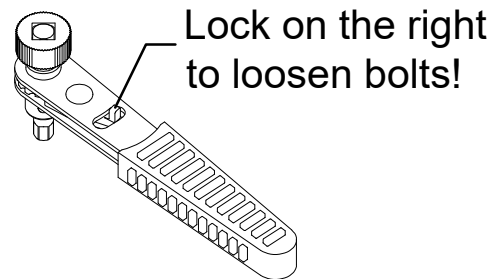
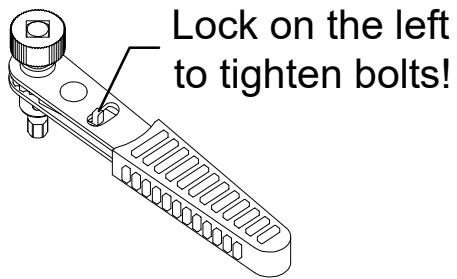
1PC



These pages list all the contents included in the box. Please take the time to identify the hardware as well as the individual components to this product. As you unpack and prepare for assembly, place the contents on a carpeted or padded area to protect them from damage.

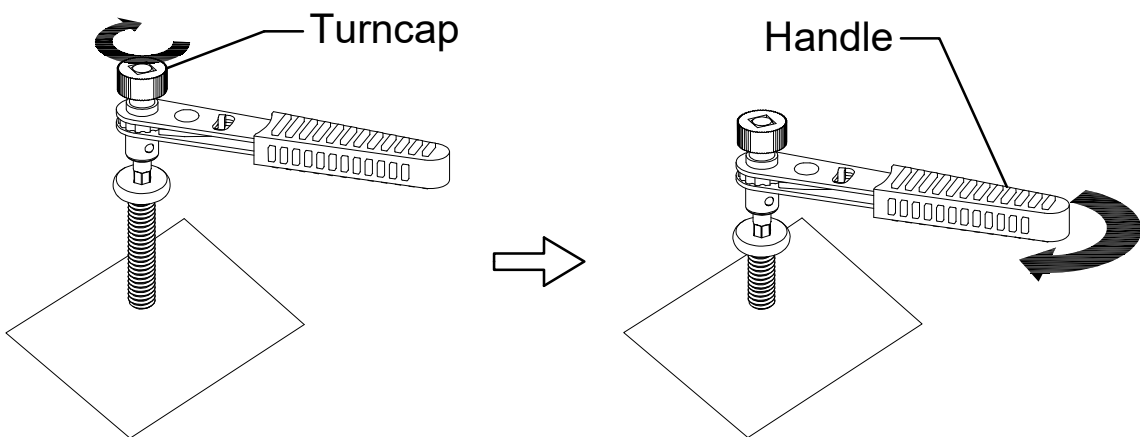
How to Use the Ratchet Tool (V)

1. Before assembling the furniture, please adjust the lock as needed.

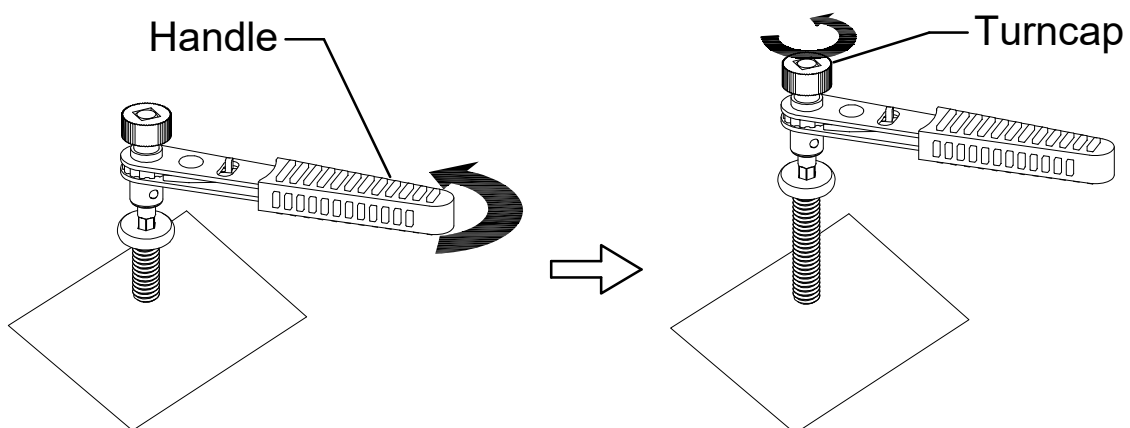


2. Tighten or loosen bolts.

- **Tighten bolts:** Locate the turncap and rotate it clockwise to screw the bolt quickly until it cannot be rotated any more. Then start rotating the handle clockwise to finalize tightening the bolt.

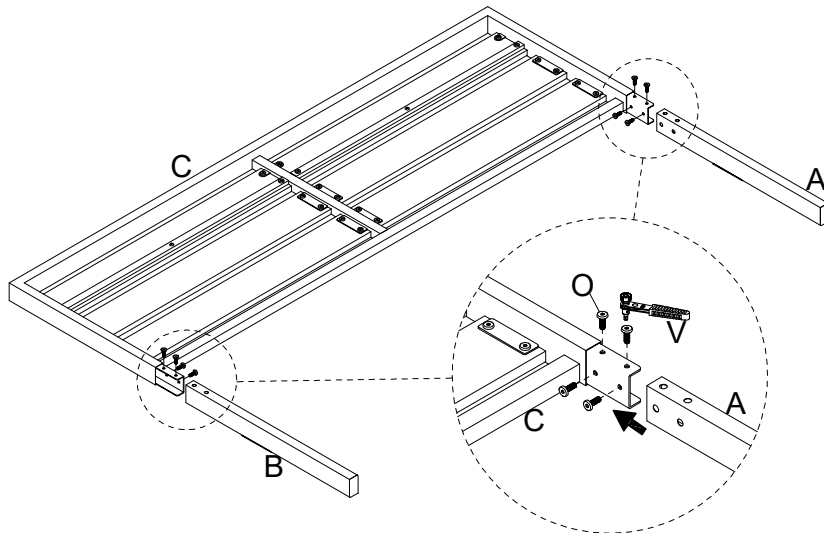


- **Loosen bolts:** Rotate the handle counterclockwise to loosen the bolt. Then continue rotating the turncap in the same direction to remove the bolt completely.

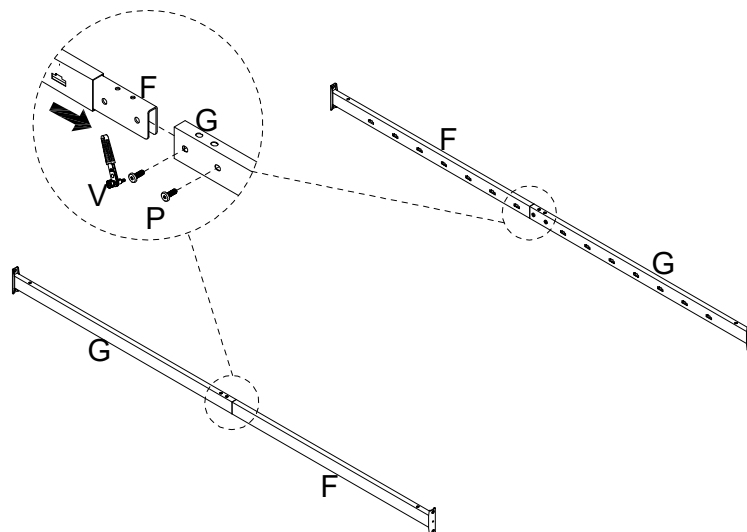


1

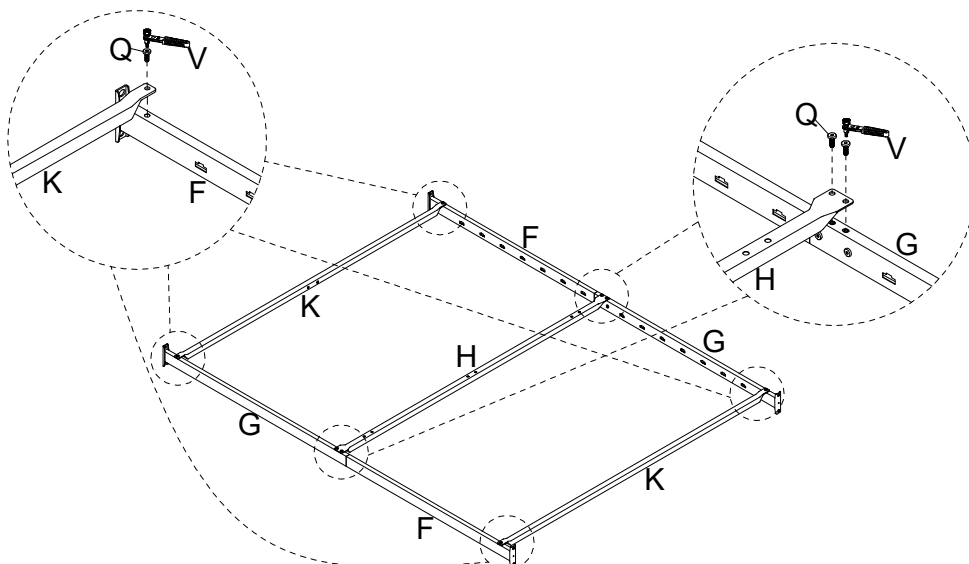
Attach the Left Leg (A) and Right Leg (B) to Headboard (C), insert the Bolt (O), turn the Ratchet Tool (V) to tighten them.

**2**

Attach the Rear Side Rail (F) to Front Side Rail (G), insert the Bolt (P), turn the Ratchet Tool (V) to tighten them.

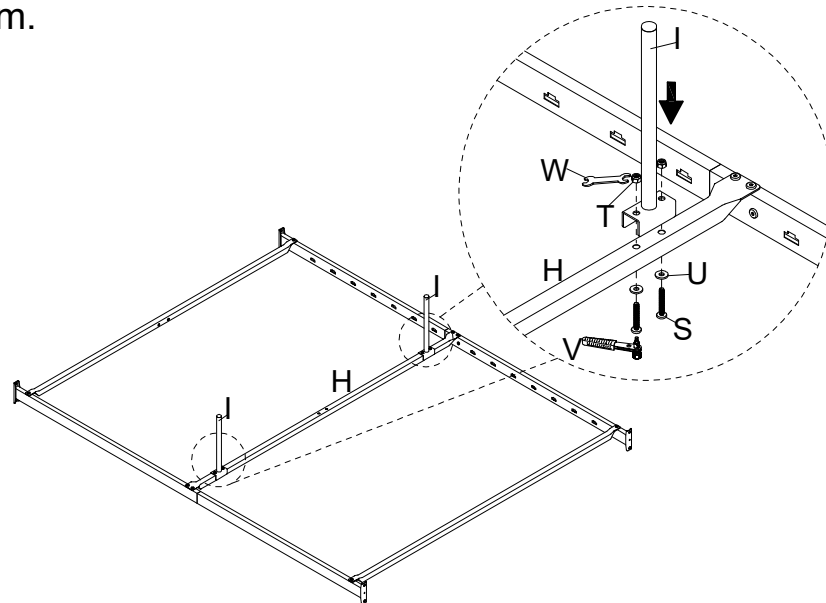
**3**

Attach the Side Cross Bar (K) and Center Cross Bar (H) to Side Rail (F & G), insert the Bolt (Q), turn the Ratchet Tool (V) to tighten them.

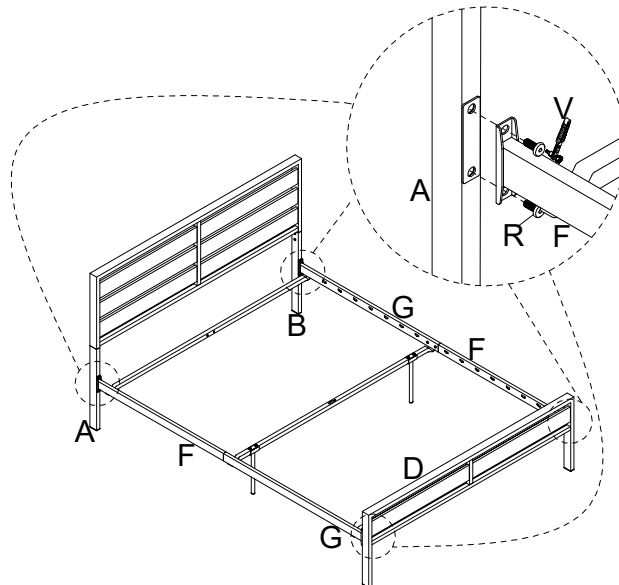


4

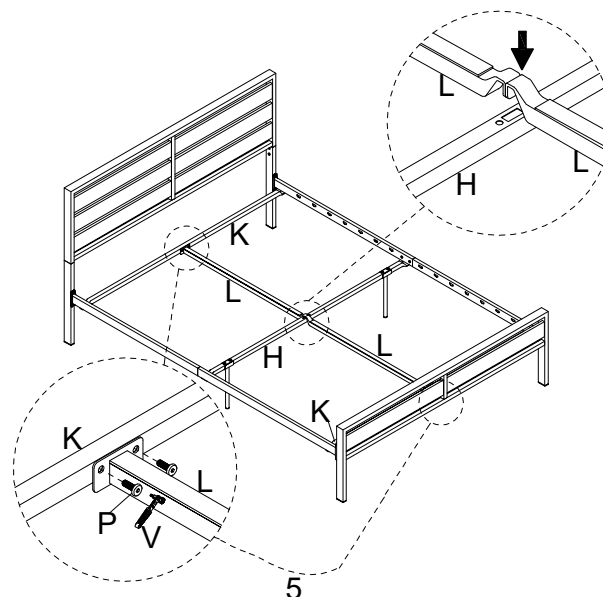
Attach the Center Support Leg (I) to Center Cross Bar (H), insert the Bolt (S), Washer (U) and Nut (T), turn the Ratchet Tool (V) and Wrench (W) to tighten them.

**5**

Attach the Left Leg (A), Right Leg (B) and Footboard (D) to Side Rail (F & G), insert the Bolt (R), turn the Ratchet Tool (V) to tighten them.

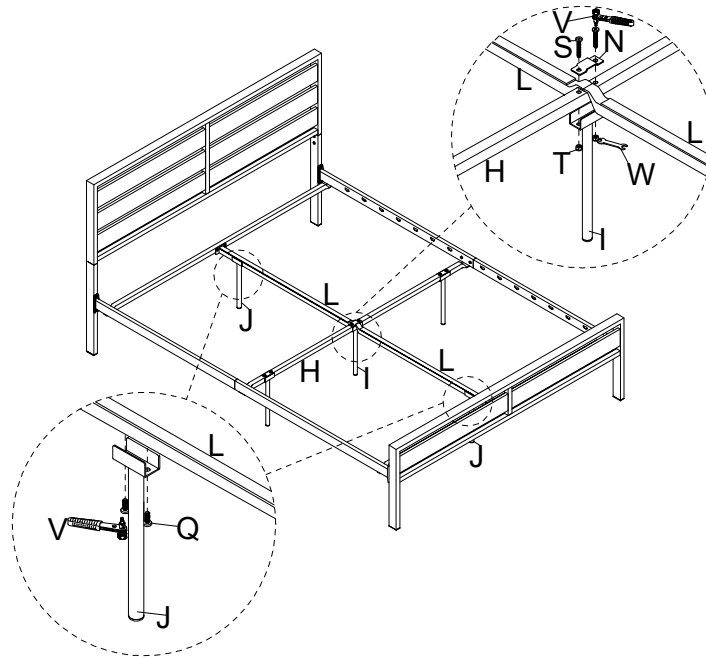
**6**

Attach the Center Rail (L) to Center Cross Bar (H) and Side Cross Bar (K), insert the Bolt (P), turn the Ratchet Tool (V) to tighten them.

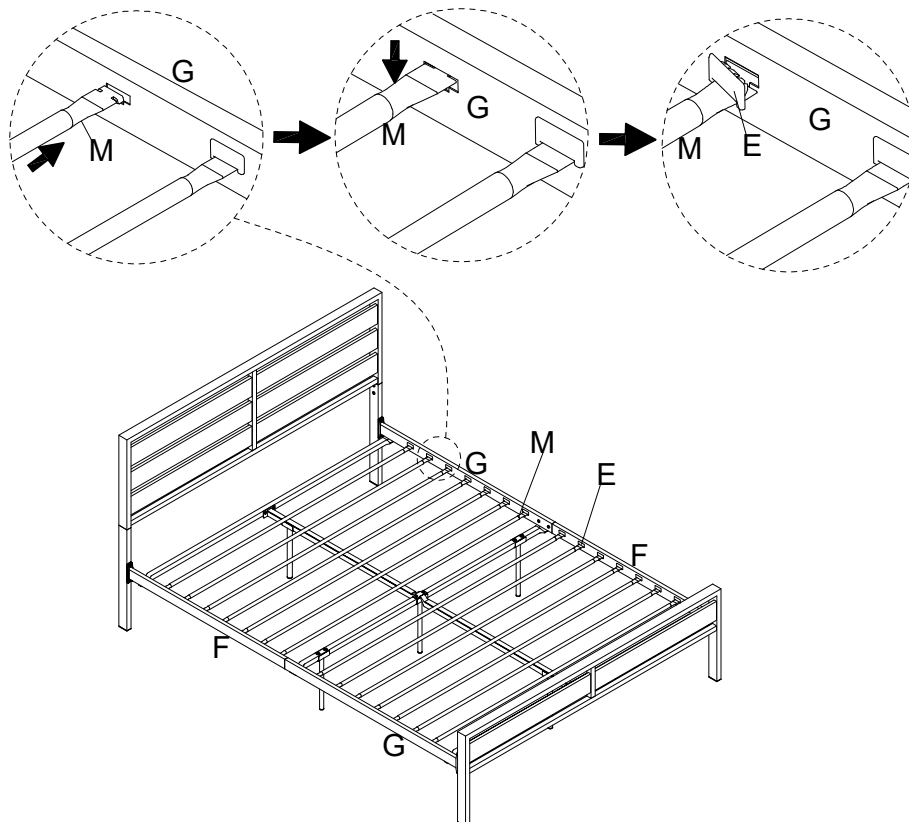


7

Attach the Support Leg (J) to Center Rail (L), insert the Bolt (Q), turn the Ratchet Tool (V) to tighten them. Attach the Center Support Leg (I) and Bracket (N) to Center Cross Bar (H), insert the Bolt (S) and Nut (T), turn the Ratchet Tool (V) and Wrench (W) to tighten them.

**8**

Insert Slat (M) into Side Rail (F & G) as shown. Then lock Slat Connector (E) to fix Slat (M).



Cleaning & Care

Treat surfaces with care. Surfaces are resistant to scratches but are not scratch resistant. Clean surfaces with a dry or damp soft cloth. Do not use abrasive cleaners. Hardware may loosen over time. Periodically check that all connections are tight.