

## ⚠ WARNING

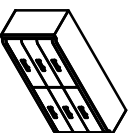
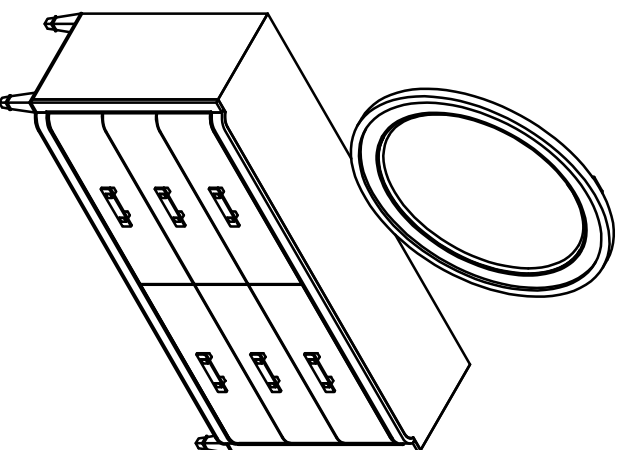


Children have died from furniture tipover. To reduce the risk of furniture tipover:

- ALWAYS install tipover restraint provided.
- NEVER put a TV on this product.
- NEVER allow children to stand, climb or hang on drawers, doors, or shelves.
- NEVER open more than one drawer at a time.
- Place heaviest items in the lowest drawers.

*This is a permanent label. Do not remove!*





- (A)
- x1 Dresser
  - x1 Commode
  - x1 Tocador



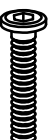
- (B)
- x1 Mirror Support \*
  - x1 Supporte de miroir
  - x1 Soporte del espejo



- (C)
- x4 Leg \*
  - x4 Jambas
  - x4 Piernas



- (D)
- x1 Support Leg \*
  - x1 Pied
  - x1 Pata De Soporte



- (E)
- x8 Allen bolt  $\phi 1/4" \times 45\text{mm}$  \*
  - x8 Vis à tête creuse hexagonale  $\phi 1/4" \times 45\text{mm}$
  - x8 Perno Allen  $\phi 1/4" \times 45\text{mm}$



- (F)
- x8 Lock washer  $\phi 1/4" *$
  - x8 Rondelle de blocage  $\phi 1/4" *$
  - x8 Arandela de Seguridad  $\phi 1/4" *$



- (G)
- x8 Flat Washer  $\phi 1/4" \times 19 \times 1.5\text{mm} *$
  - x8 Rondelle plate  $\phi 1/4" \times 19 \times 1.5\text{mm}$
  - x8 Arandela plana  $\phi 1/4" \times 19 \times 1.5\text{mm}$



- (H)
- x1 Allen Key 4mm \*
  - x1 Clé hexagonale 4mm
  - x1 Llave Allen 4mm



- (I)
- x1 Furniture Tipping Restraint \*
  - x1 Systeme antibasculément
  - x1 Control para evitar vuelcos

\* Replaceable Part

## ▲ WARNING

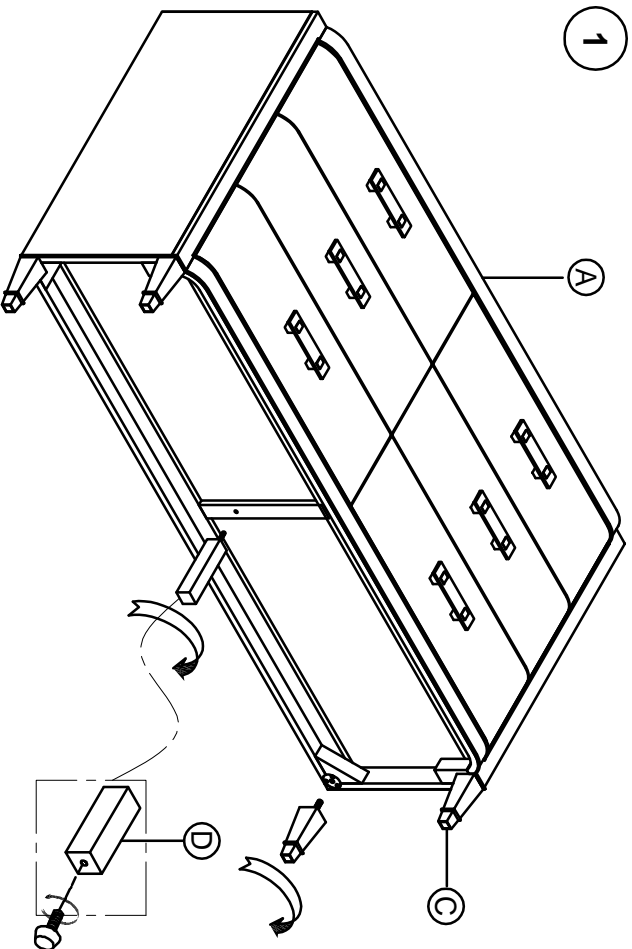


Children have died from furniture tipover. To reduce the risk of furniture tipover:

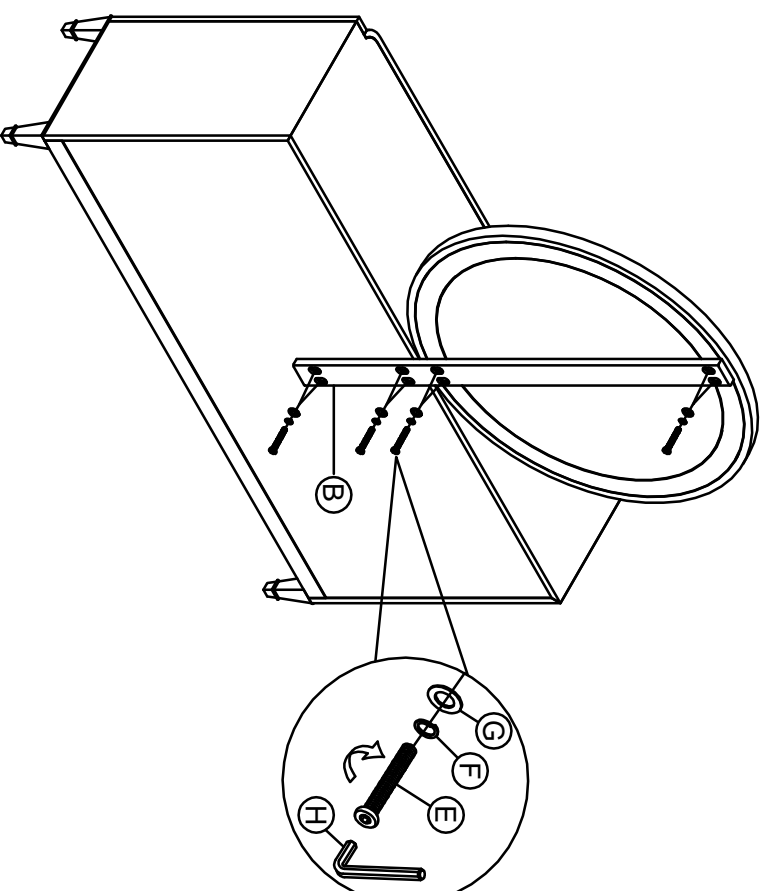
- ALWAYS install tipover restraint provided.
- NEVER put a TV on this product.
- NEVER allow children to stand, climb or hang on drawers, doors, or shelves.
- NEVER open more than one drawer at a time.
- Place heaviest items in the lowest drawers.

*This is a permanent label. Do not remove!*

1



2



\* Replaceable Part

## ⚠ WARNING

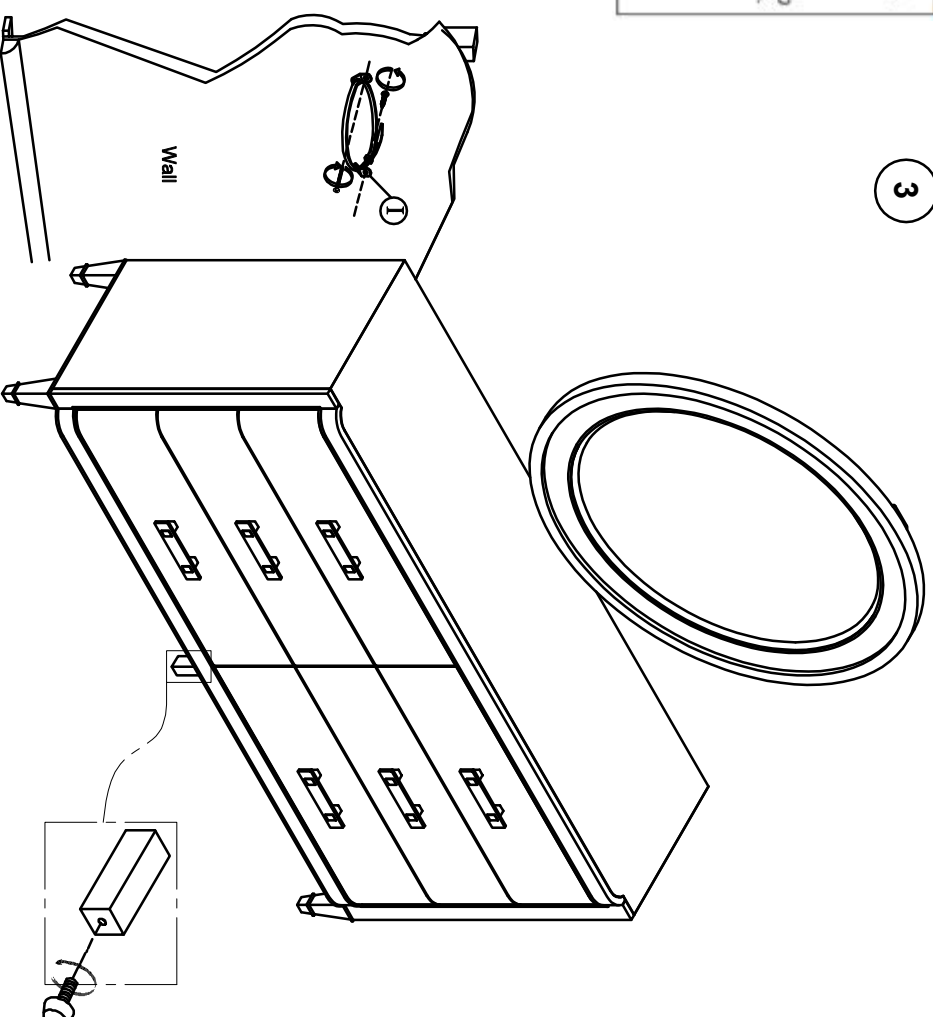


Children have died from furniture tipover. To reduce the risk of furniture tipover:

- ALWAYS install tipover restraint provided.
- NEVER put a TV on this product.
- NEVER allow children to stand, climb or hang on drawers, doors, or shelves.
- NEVER open more than one drawer at a time.
- Place heaviest items in the lowest drawers.

*This is a permanent label. Do not remove!*

3

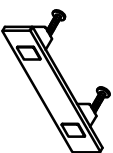
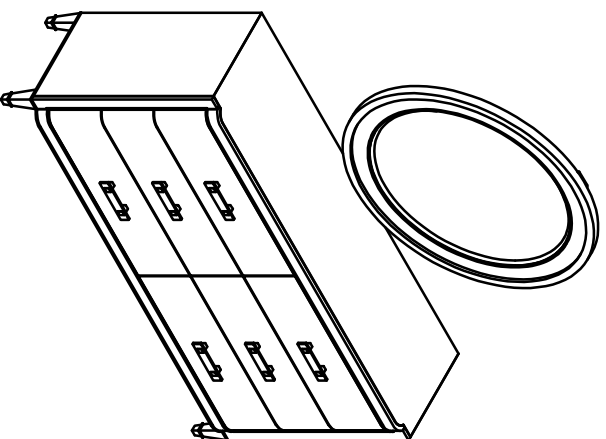


\* Replaceable Part

## ⚠ WARNING

Children have died from furniture tipover. To reduce the risk of furniture tipover:

- ALWAYS install tipover restraint provided.
  - NEVER put a TV on this product.
  - NEVER allow children to stand, climb or hang on drawers, doors, or shelves.
  - NEVER open more than one drawer at a time.
  - Place heaviest items in the lowest drawers.
- This is a permanent label. Do not remove!



x6 RP344-PULL - Knob with Screw \*  
 Poignée et vis  
 Tirador y Tornillo



x6 COMGLIDE-14-45 - Glide 14in 45mm \*  
 Glissière  
 Carril de deslizamiento



x1 RP344100-CELEG - Support Leg \*  
 Support central  
 Soporte para la pata central



x4 RP344100-LEG - Leg \*  
 Jambes  
 Piernas



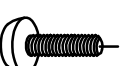
x1 RP3441 10-MISU - Mirror Support \*  
 Supporte de miroir  
 Soporte del espejo



x1 RC-ANTI-TIP - Furniture Tipping Restraint \*  
 Systeme antibasculement  
 Control para evitar vuelcos



x1 RP344110-HWKT - Hardware Kit \*  
 Liste des pièces de quincaillerie  
 Lista del kit de materiales



x1 RC-FG-WHITE - White leveler \*  
 Patin réglable  
 Nivelador



x4 RC-WH-NAIL - Plastic nail \*  
 Clou en plastique  
 Clavo de plástico

\* Replaceable Part

## Protect Your Wood or Laminate Flooring

\*This statement applies to any floor without carpet.

If not careful, all furniture including upholstery and case pieces can scratch, scuff and even gouge floors. The recommendation is to have felt, rubber pads or area rugs under furniture on flooring without carpet.

### **Moving your furniture**

Pushing and dragging furniture over floors without carpet can lead to scratches and scuffs. Have someone help when moving the larger pieces of furniture by lifting, try using a dolly or moving pads.

### **Felt and rubber pads**

Applying furniture pads to the feet of furniture helps cushion contact points. Furniture pads can be found at local hardware stores. Felt pads slide easily across the floor, making them ideal for dining chairs and other pieces that move with use. Rubber pads will help furniture stay in place and are perfect for larger pieces, like sofas and loveseats.

### **Area rugs and rug pads**

Using an area rug under furniture is another way to protect your floor from scratches and scuff marks. A rug pad under the area rug will provide extra cushion and added protection.