



Manufactured by:
Backyard Discovery
3305 Airport Drive, Pittsburg,
KS 66762 800-856-4445

Basepoint Business Centre: Rivermead Drive, Westlea, Swindon SN5 7EX Phone: 0800-118-2476
J.P. Coenstraat 7, The Bridge, The Hague, 2595 WP, Netherlands Phone: 08005678990

14x10 DELRAY PERGOLA

MODEL # : 2305014B-V

THE ASSEMBLY MANUAL MUST BE RETAINED SINCE IT CONTAINS IMPORTANT INFORMATION



WARNING

Cancer and Reproductive Harm
www.P65Warnings.ca.gov



Please visit www.backyarddiscovery.com

For the most up to date assembly manual, to register your product, or to order replacement parts *Para obtener instrucciones en español, visite* www.backyarddiscovery.com



EASY STEP-BY-STEP
3D INTERACTIVE INSTRUCTIONS
DOWNLOAD THE FREE APP



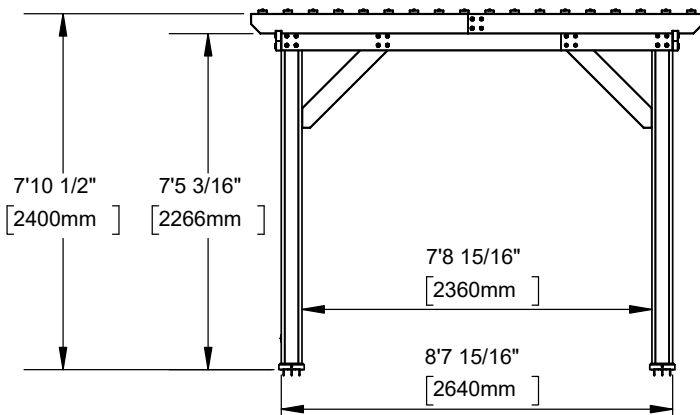
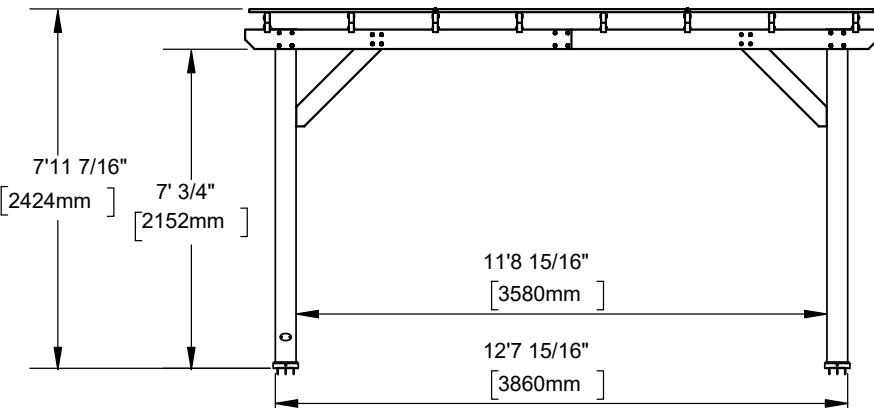
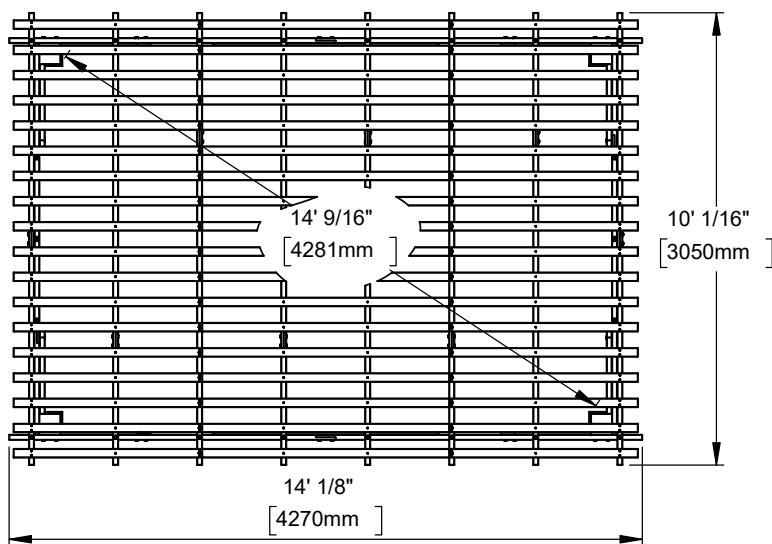
OWNER'S MANUAL - BASIC SETUP DIMENSIONS & ASSEMBLY NOTES

It is critically important that you start with square and level footings, concrete pad or deck to attach your structure

- Pay close attention to the items needed for each step. Make sure you are using the correct hardware for each step. Using incorrect hardware may result in improper assembly
- Remember to double check for underground utilities and overhead electrical lines

Post mounts are provided with your structure which allows you to permanently install your structure to a pre-existing or new wood or concrete surface. See Anchor Instructions for further details and recommendations.

- The hardware to attach the post mounts to the structure is included.
- The hardware to mount the structure permanently to a concrete surface is included.
- The hardware to mount the structure permanently to a wood deck is NOT included and will need to be purchased separately. You must ensure there is ample structural support under the deck before permanently attaching.



OWNER'S MANUAL - PARTS IDENTIFICATION

Wood Components (Not to Scale)



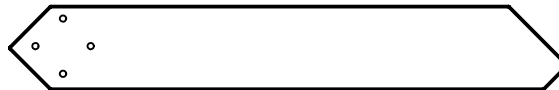
D01 | BEAM-W4L16757
(x4) | 1 7/16"x5 1/4"x86 11/16" (36x134x2202)



D02 | SIDE BEAM-W4L16758
(x2) | 1 7/16"x5 1/4"x79 9/16" (36x134x2021)



D03 | SIDE SHORT BEAM-W4L16759
(x2) | 1 7/16"x5 1/4"x29 5/8" (36x134x753)



D04 | CORBEL-W4L16760
(x7) | 1 7/16"x5 1/4"x35 1/16" (36x134x890)



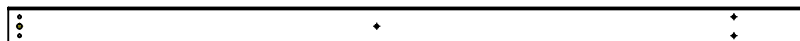
D05 | OUTER JOIST-W4L16761
(x4) | 1 7/16"x5 1/4"x62 3/8" (36x134x1585)



D06 | INNER JOIST LONG-W4L16762
(x6) | 1 7/16"x5 1/4"x89 1/2" (36x134x2274)



D07 | INNER JOIST SHORT-W4L16763
(x6) | 1 7/16"x5 1/4"x35 1/4" (36x134x896)



J01 | END SLAT-W4L16764
(x36) | 15/16"x2 3/8"x50 3/16" (24x60x1274)



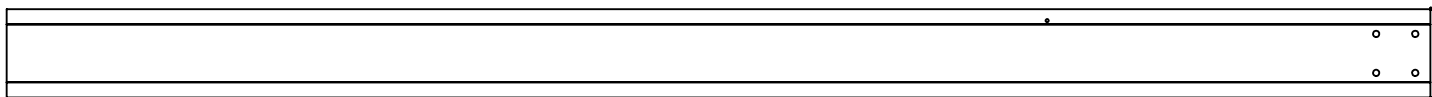
J02 | MIDDLE SLAT-W4L16765
(x18) | 15/16"x2 3/8"x68 3/8" (24x60x1736)



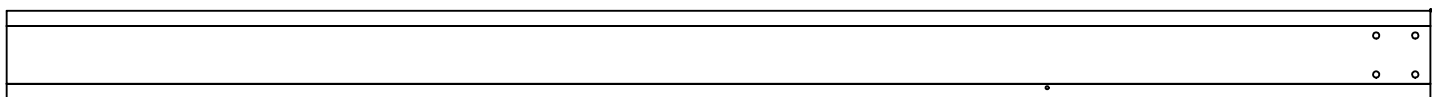
G01 | BEAM SUPPORT-W4L16766
(x2) | 15/16"x5 1/4"x60" (24x134x1524)

OWNER'S MANUAL - PARTS IDENTIFICATION

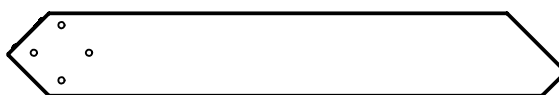
Wood Components (Not to Scale)



P1 | POST-W2A03472
(x2) | 5 1/2"x5 1/2"x89 1/2" (140x140x2274)

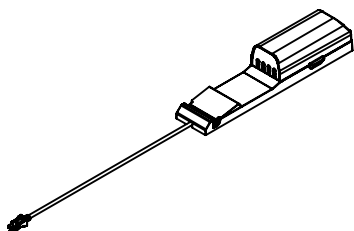


P2 | POST-W2A03473
(x2) | 5 1/2"x5 1/2"x89 1/2" (140x140x2274)

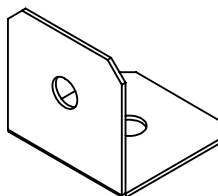


D08 | CORBEL W/ ID TAG-W2A03481
(x1) | 1 7/16"x5 1/4"x35 1/16" (36x134x890)

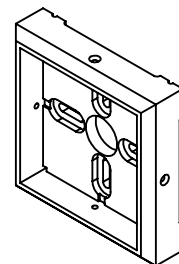
Accessory Components (Not to Scale)



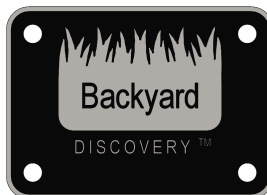
9250154 | ELECTRICAL ENCLOSURE
(x1)



A4M01785 | ANGLE BRACKET
(x6)



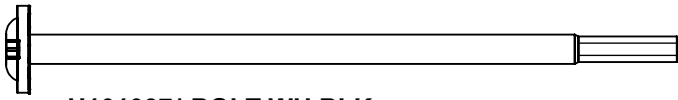
A100029 | FOOT 142 SQUARE POST
(x4)



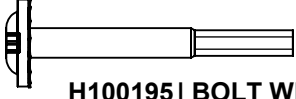
A4M02158 | BYD ID TAG PATIO
(1)

OWNER'S MANUAL - PARTS IDENTIFICATION

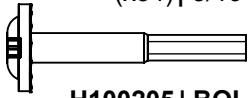
Hardware Components (Not to Scale)



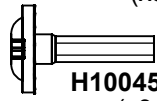
H101037 | BOLT WH BLK
(x34) | 5/16 x 6 3/4



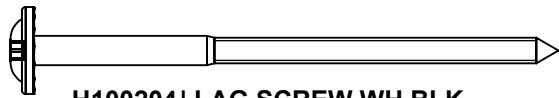
H100195 | BOLT WH BLK
(x34) | 5/16 x 2 3/4



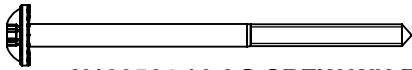
H100205 | BOLT WH BLK
(x9) | 5/16 x 2 1/4



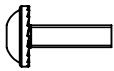
H100459 | BOLT WH BLK
(x34) | 5/16 x 1 1/4



H100204 | LAG SCREW WH BLK
(x18) | 5/16 x 5 1/2



H100564 | LAG SREW WH BLK
(x9) | 1/4 x 4



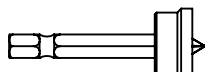
H101139 | BOLT WH BLK
(x38) | 1/4 x 7/8



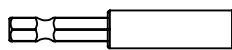
H100398 | T-NUT BLK
(x38) | 1/4



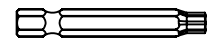
H100379 | T-NUT BLK
(x106) | 5/16



H100764 | SCREW SETTER
(x1)



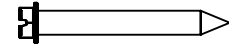
H101100 | MAGNETIC DRIVER
(x1)



H100147 | T-30 TORX BIT
(x1)



H100114 | TORX WRENCH
(x1) | T-30



H100120 | SCREW CONCRETE ANCHOR
(x18)



H100391 | SCREW PFH BLK
(x220) | 8 x 2



H100382 | SCREW PFH BLK
(x26) | 8 x 1 3/4



H100200 | SCREW PFH BLK
(x17) | 8 x 1 1/2



H100797 | SCREW PWH BLK
(x13) | 8 x 1



H100392 | SCREW PWH BLK
(x4) | 8 x 3/4



H100630 | WASHER FLAT BLK
(x17) | 8 x 19



H100405 | WASHER LOCK EXT BLK
(x46) | 6 x 15



H100198 | WASHER LOCK EXT BLK
(x124) | 12 x 18

PRE-ASSEMBLY STEP 1 - TOOLS REQUIRED



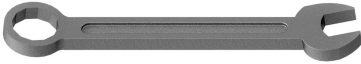
Cordless Drill
or Electric Drill



Drill
Attachments:
Phillips Head



1/8", 3/16", 3/8" &
7/16" Drill Bits



Open End
Wrenches
1/2" & 7/16"



3/8" Drive Ratchet, 1/2" &
7/16" STD Sockets, 1/2" &
7/16" Deep Sockets



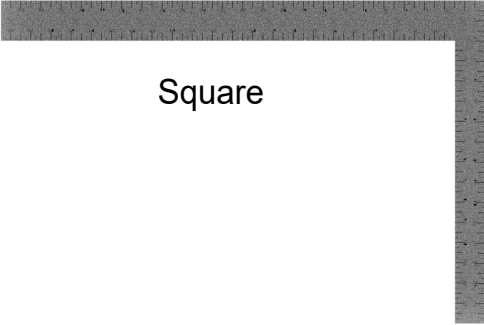
Tape Measure



Claw Hammer



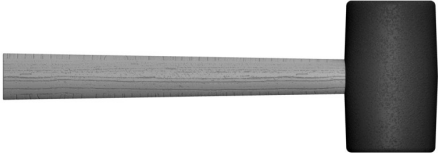
Phillips Screw Driver



Square



Level 24"



Rubber Mallet
- Optional

PRE-ASSEMBLY STEP 2 - SORTING PARTS

It is critical for ease of assembly that you take the time to sort and organize the wood and hardware.

WOOD PARTS:

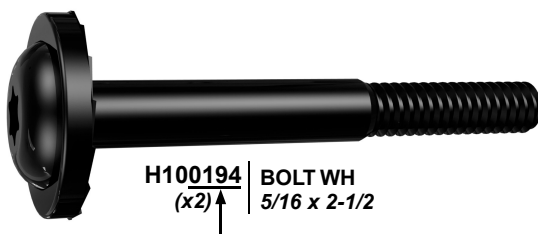
- Organize wood parts by the three-digit, alpha-numeric number stamped on each board (ex. P01).
- If there are multiple boards with the same stamped number, stack those pieces together.
- Stamps can be found on the flat surface of the boards or on the end of the boards.
- Allow yourself plenty of room - the wood pieces can take up a significant amount of space.

NOTE: CARTONS ARE NOT ORGANIZED BY BOARD NUMBER.



HARDWARE PARTS:


- We recommend that you have a separate table to organize the hardware.
- Hardware bags are printed with a seven-digit, alpha-numeric part number.
- You can organize your hardware by part number or group by hardware type (i.e. bolts, nuts, etc.).
- During assembly you only need to reference the last four digits of the number.



PRE-ASSEMBLY STEP 3 - CHOOSE YOUR ASSEMBLY METHOD

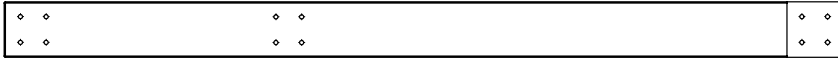
There are several types of assembly instructions available to you.

1. Printed Assembly Manual included with your set
2. BILT APP - 3D interactive instructions
3. Combination of the Printed Manual and BILT APP (Note: Step numbers can differ between the two methods)



The graphic is a rectangular advertisement for the BILT app. At the top left is the BILT logo, which consists of a hexagonal icon with a white dot inside, followed by the word "BILT." in a bold, sans-serif font with a registered trademark symbol. To the right of the logo is a large QR code. Below the logo and QR code, the text "Scan for easy 3D instructions" is written in a large, bold, black font. Underneath this, in a smaller font, it says "Download the BILT app before you begin". To the right of this text are two buttons: "Download on the App Store" with the Apple logo and "GET IT ON Google Play" with the Google Play logo. At the bottom of the graphic is a smartphone displaying a 3D assembly instruction. The screen shows a grey metal frame with a horizontal bar and several hanging components. The interface includes a "Hardware Needed" label at the top left, a close button (X) at the top right, a list of three dots, a back arrow, and a play/pause button at the bottom. A small circle with the number "17" is visible in the bottom left corner of the phone screen.

STEP 1 - PERGOLA ASSEMBLY



D02 | SIDE BEAM-W4L16758
(x2) | 1 7/16"x5 1/4"x79 9/16" (36x134x2021)

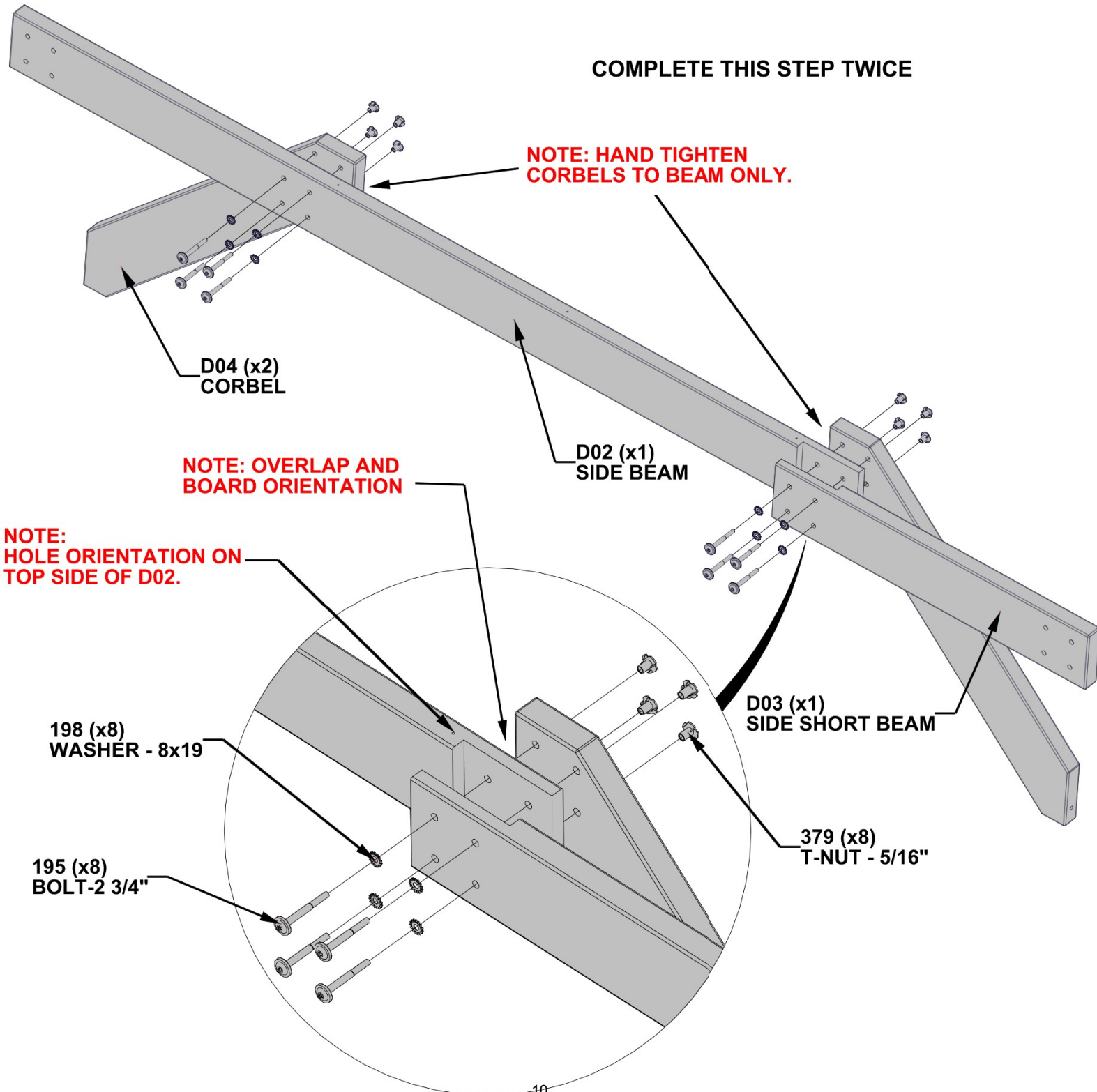


D03 | SIDE SHORT BEAM-W4L16759
(x2) | 1 7/16"x5 1/4"x29 5/8" (36x134x753)



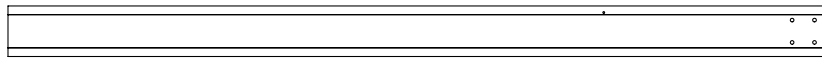
D04 | CORBEL-W4L16760
(x4) | 1 7/16"x5 1/4"x35 1/16" (36x134x890)

Qty	PART NUMBER	DESCRIPTION
16	H100198	WASHER LOCK EXT 8x19
16	H100379	T-NUT 5/16 BLK
16	H100195	BOLT WH 5/16x2 3/4 BLK

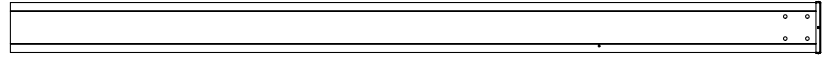


STEP 2 - PERGOLA ASSEMBLY

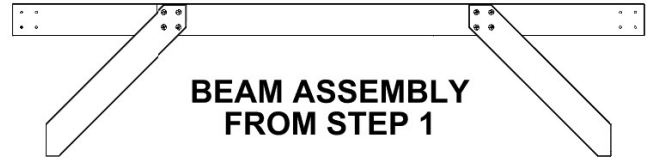
Qty	PART NUMBER	DESCRIPTION
2	H100405	WASHER LOCK EXT 6x15
2	H100564	LAG SCREW WH 1/4x4 BLK
8	H100198	WASHER LOCK EXT 8x19
8	H100379	T-NUT 5/16 BLK
8	H101037	BOLT WH 5/16x6 3/4 BLK



P1 | POST-W2A03472
(x1) | 5 1/2"x5 1/2"x89 1/2" (140x140x2274)



P2 | POST-W2A03473
(x1) | 5 1/2"x5 1/2"x89 1/2" (140x140x2274)

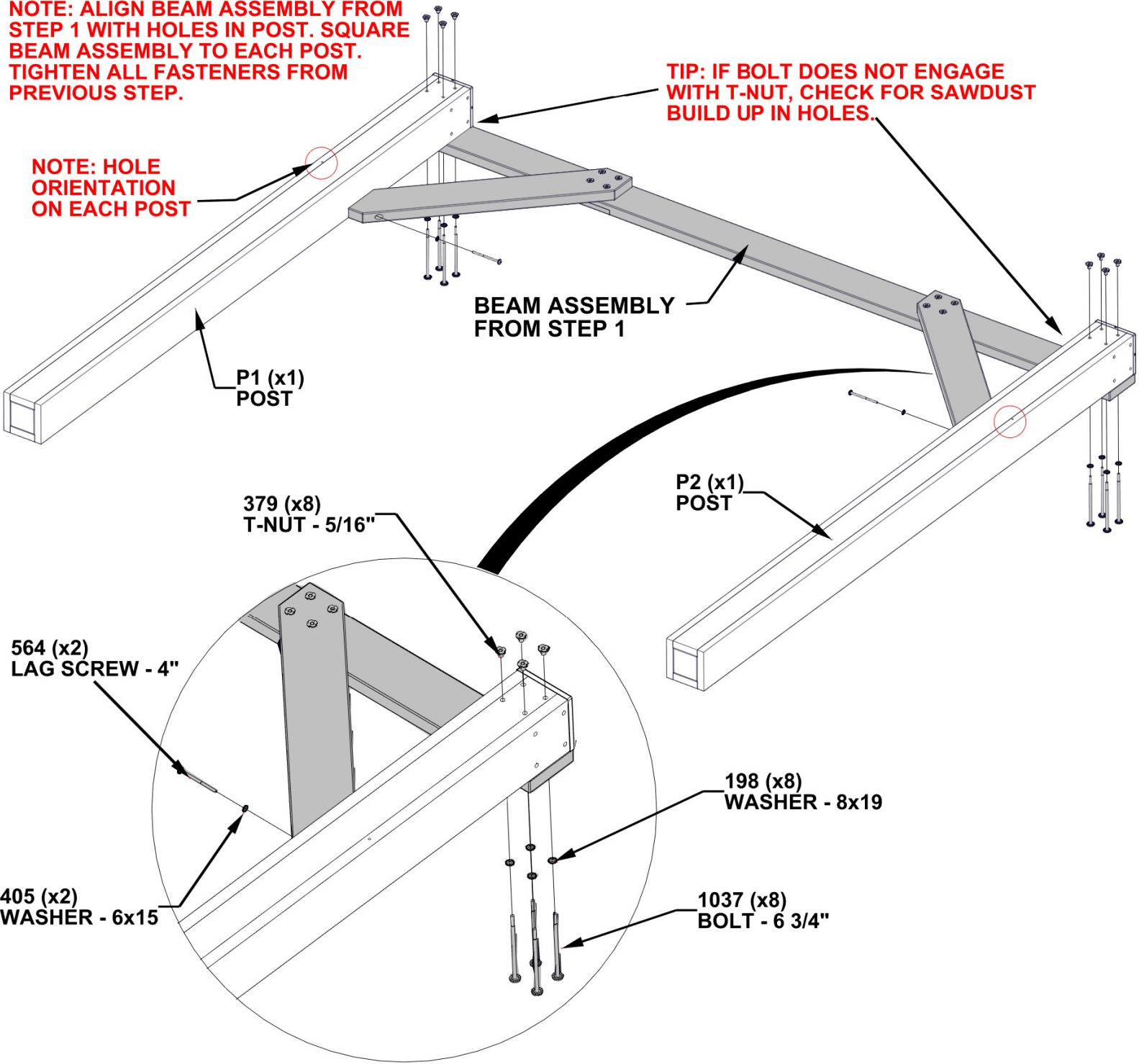


BEAM ASSEMBLY FROM STEP 1

NOTE: ALIGN BEAM ASSEMBLY FROM STEP 1 WITH HOLES IN POST. SQUARE BEAM ASSEMBLY TO EACH POST. TIGHTEN ALL FASTENERS FROM PREVIOUS STEP.

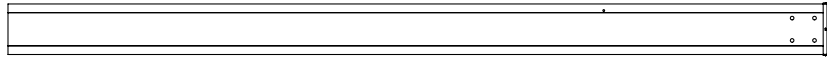
TIP: IF BOLT DOES NOT ENGAGE WITH T-NUT, CHECK FOR SAWDUST BUILD UP IN HOLES.

NOTE: HOLE ORIENTATION ON EACH POST

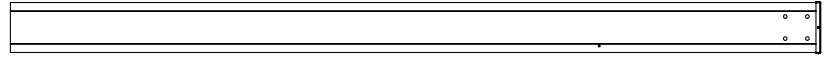


STEP 3 - PERGOLA ASSEMBLY

Qty	PART NUMBER	DESCRIPTION
2	H100564	LAG SCREW WH 1/4x4 BLK
2	H100405	WASHER LOCK EXT 6x15
8	H100379	T-NUT 5/16 BLK
8	H100198	WASHER LOCK EXT 8x19
8	H101037	BOLT WH 5/16x6 3/4 BLK



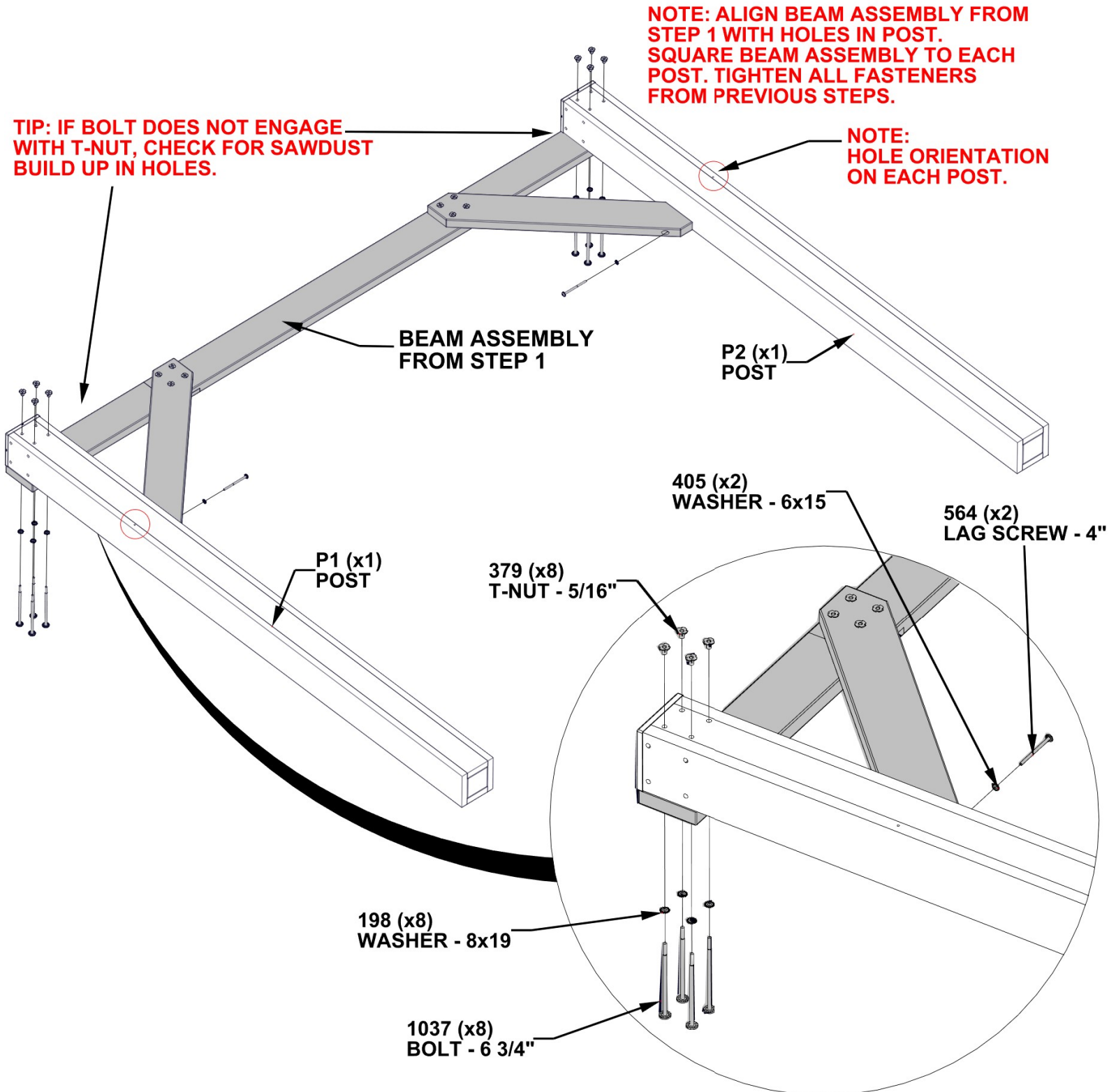
P1 | POST-W2A03472
(x1) | 5 1/2"x5 1/2"x89 1/2" (140x140x2274)



P2 | POST-W2A03473
(x1) | 5 1/2"x5 1/2"x89 1/2" (140x140x2274)



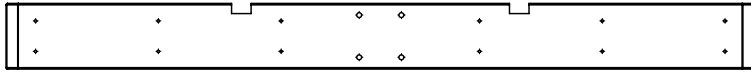
BEAM ASSEMBLY FROM STEP 1



STEP 4 - PERGOLA ASSEMBLY

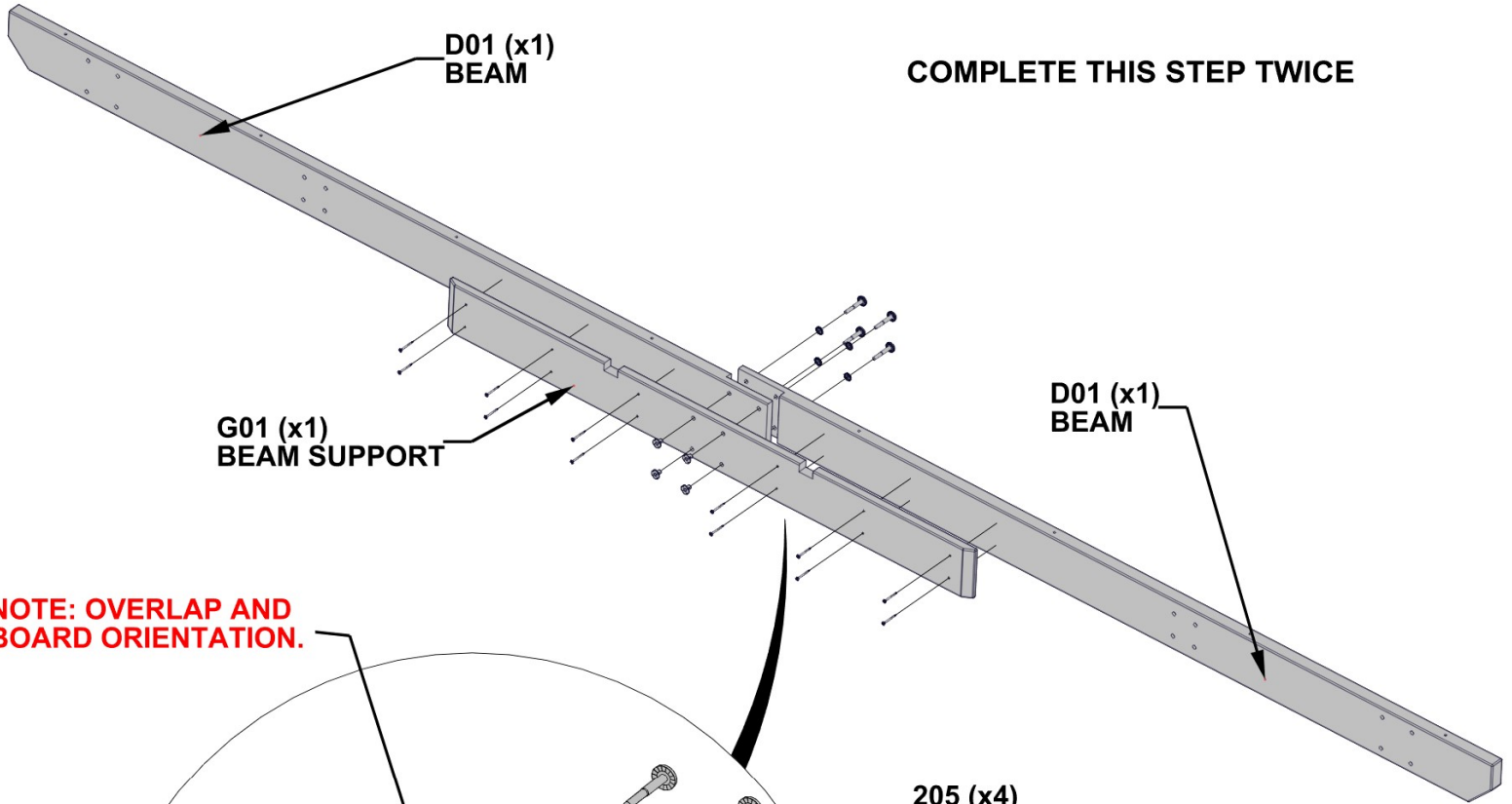


D01 | BEAM-W4L16757
(x4) | 1 7/16"x5 1/4"x86 11/16" (36x134x2202)

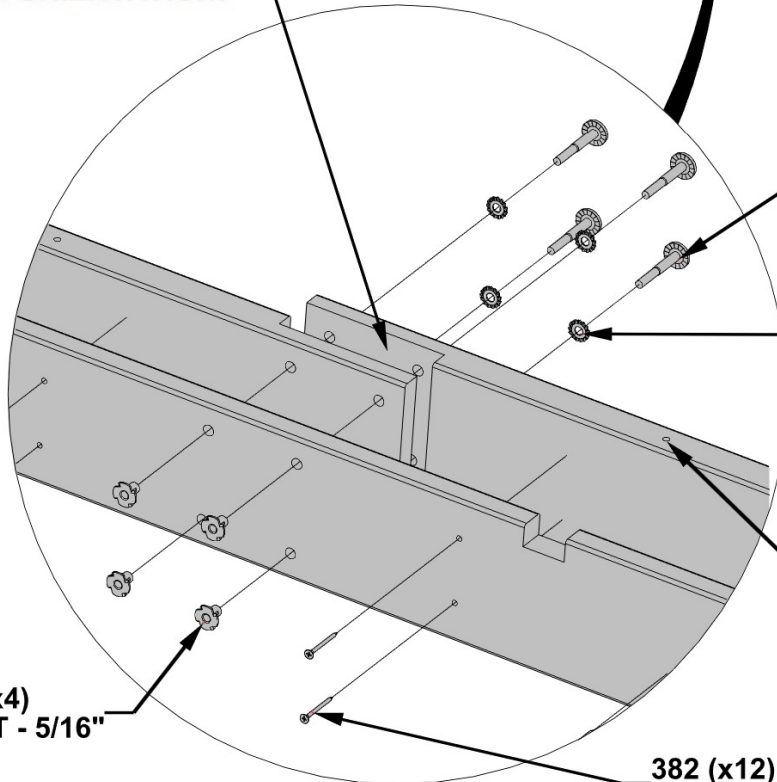


G01 | BEAM SUPPORT-W4L16766
(x2) | 15/16"x5 1/4"x60" (24x134x1524)

Qty	PART NUMBER	DESCRIPTION
8	H100379	T-NUT 5/16 BLK
8	H100198	WASHER LOCK EXT 8x19
8	H100205	BOLT WH 5/16x2 1/4 BLK
24	H100382	SCREW PFH 8x1 3/4 BLK



NOTE: OVERLAP AND BOARD ORIENTATION.



205 (x4) BOLT - 2 1/4"

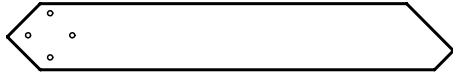
198 (x4) WASHER - 8x19

NOTE: HOLE ORIENTATION ON TOP SIDE OF D01.

379 (x4) T-NUT - 5/16"

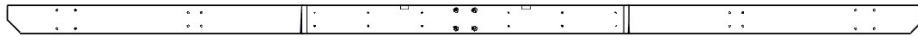
382 (x12) SCREW - 1 3/4"

STEP 5 - PERGOLA ASSEMBLY

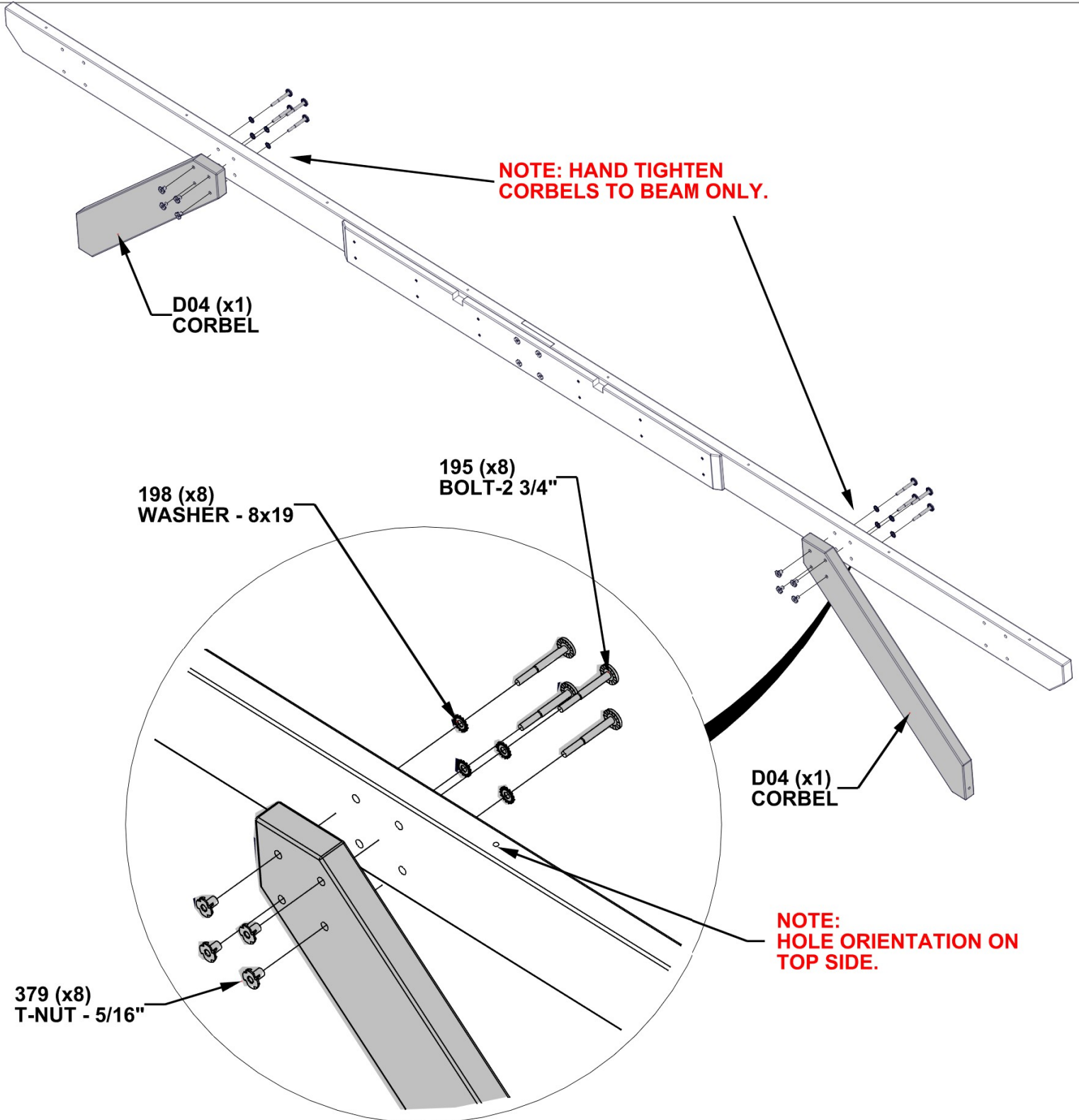


D04| CORBEL-W4L16760
 (x2)| 1 7/16"x5 1/4"x35 1/16" (36x134x890)

Qty	PART NUMBER	DESCRIPTION
8	H100195	BOLT WH 5/16x2 3/4 BLK
8	H100379	T-NUT 5/16 BLK
8	H100198	WASHER LOCK EXT 8x19

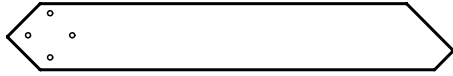


**BEAM ASSEMBLY
FROM STEP 4**



STEP 6 - PERGOLA ASSEMBLY

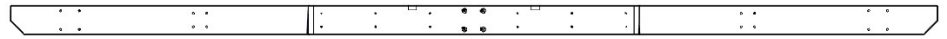
Qty	PART NUMBER	DESCRIPTION
8	H100379	T-NUT 5/16 BLK
8	H100198	WASHER LOCK EXT 8x19
8	H100195	BOLT WH 5/16x2 3/4 BLK



D04| CORBEL-W4L16760
 (x1) | 1 7/16"x5 1/4"x35 1/16" (36x134x890)



D08| CORBEL W/ ID TAG-W2A03481
 (x1) | 1 7/16"x5 1/4"x35 1/16" (36x134x890)



BEAM ASSEMBLY FROM STEP 4

NOTE: HAND TIGHTEN CORBELS TO BEAM ONLY.

**D08 (x1)
CORBEL W/ ID TAG**

NOTE: HOLE ORIENTATION ON TOP SIDE.

**D04 (x1)
CORBEL**

**195 (x8)
BOLT-2 3/4"**

**198 (x8)
WASHER - 8x19**

**379 (x8)
T-NUT - 5/16"**

STEP 7 - PERGOLA ASSEMBLY

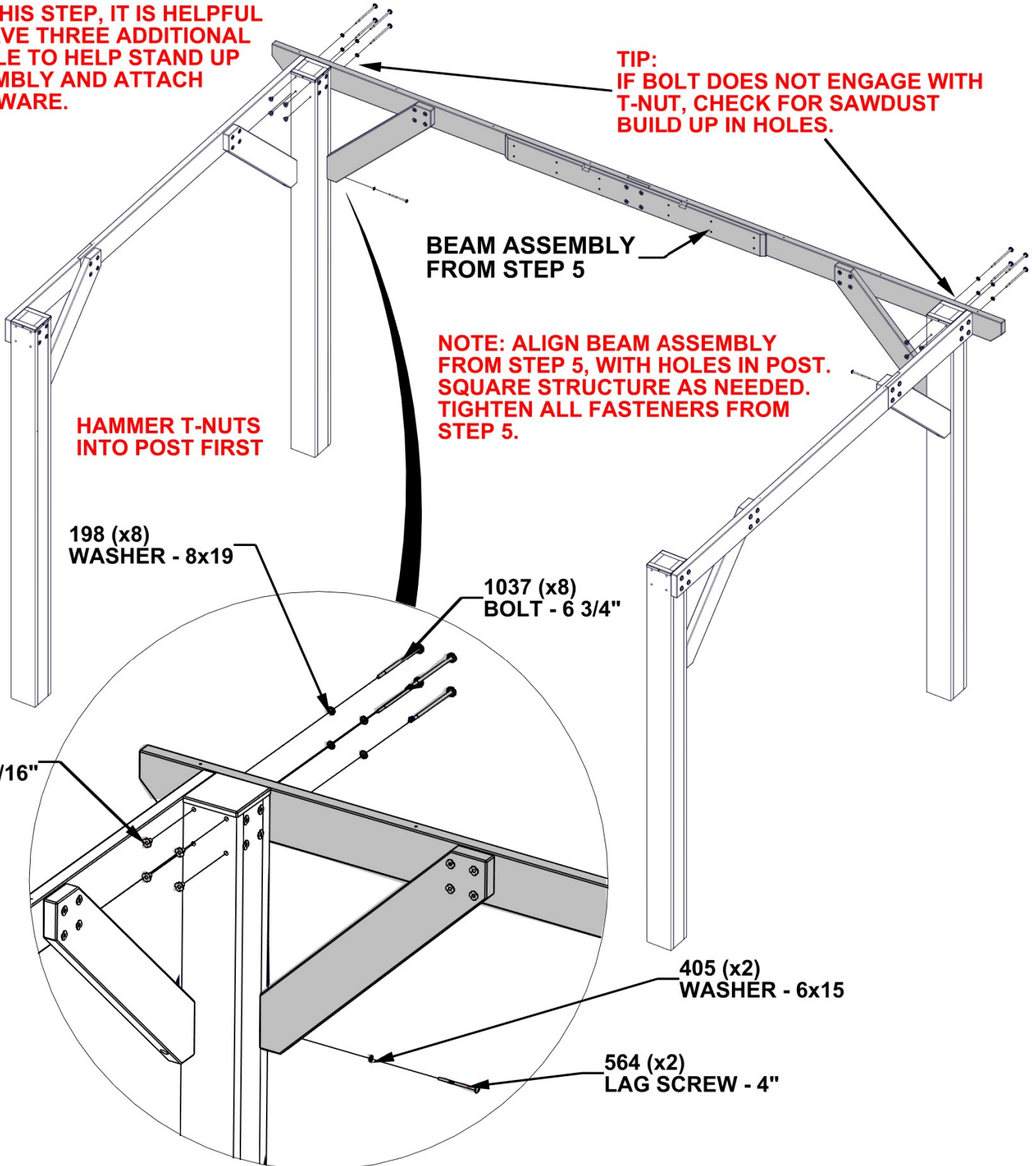


BEAM ASSEMBLY FROM STEP 5

Qty	PART NUMBER	DESCRIPTION
2	H100564	LAG SCREW WH 1/4x4 BLK
2	H100405	WASHER LOCK EXT 6x15
8	H100198	WASHER LOCK EXT 8x19
8	H101037	BOLT WH 5/16x6 3/4 BLK
8	H100379	T-NUT 5/16 BLK

FOR THIS STEP, IT IS HELPFUL TO HAVE THREE ADDITIONAL PEOPLE TO HELP STAND UP ASSEMBLY AND ATTACH HARDWARE.

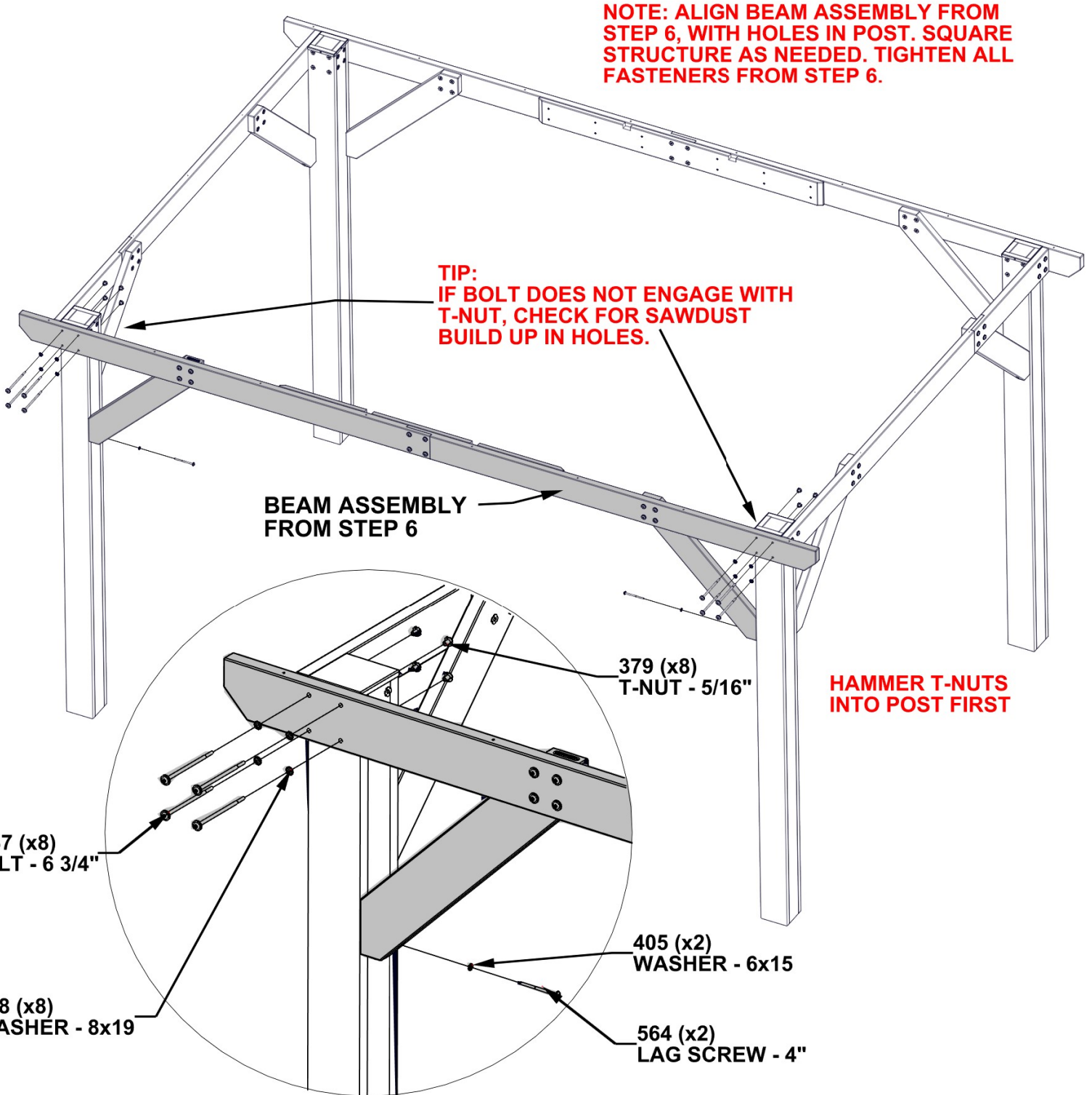
TIP: IF BOLT DOES NOT ENGAGE WITH T-NUT, CHECK FOR SAWDUST BUILD UP IN HOLES.



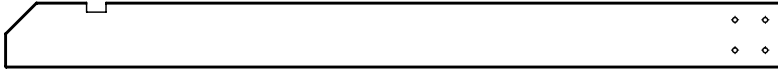
STEP 8 - PERGOLA ASSEMBLY



Qty	PART NUMBER	DESCRIPTION
2	H100405	WASHER LOCK EXT 6x15
2	H100564	LAG SCREW WH 1/4x4 BLK
8	H101037	BOLT WH 5/16x6 3/4 BLK
8	H100198	WASHER LOCK EXT 8x19
8	H100379	T-NUT 5/16 BLK



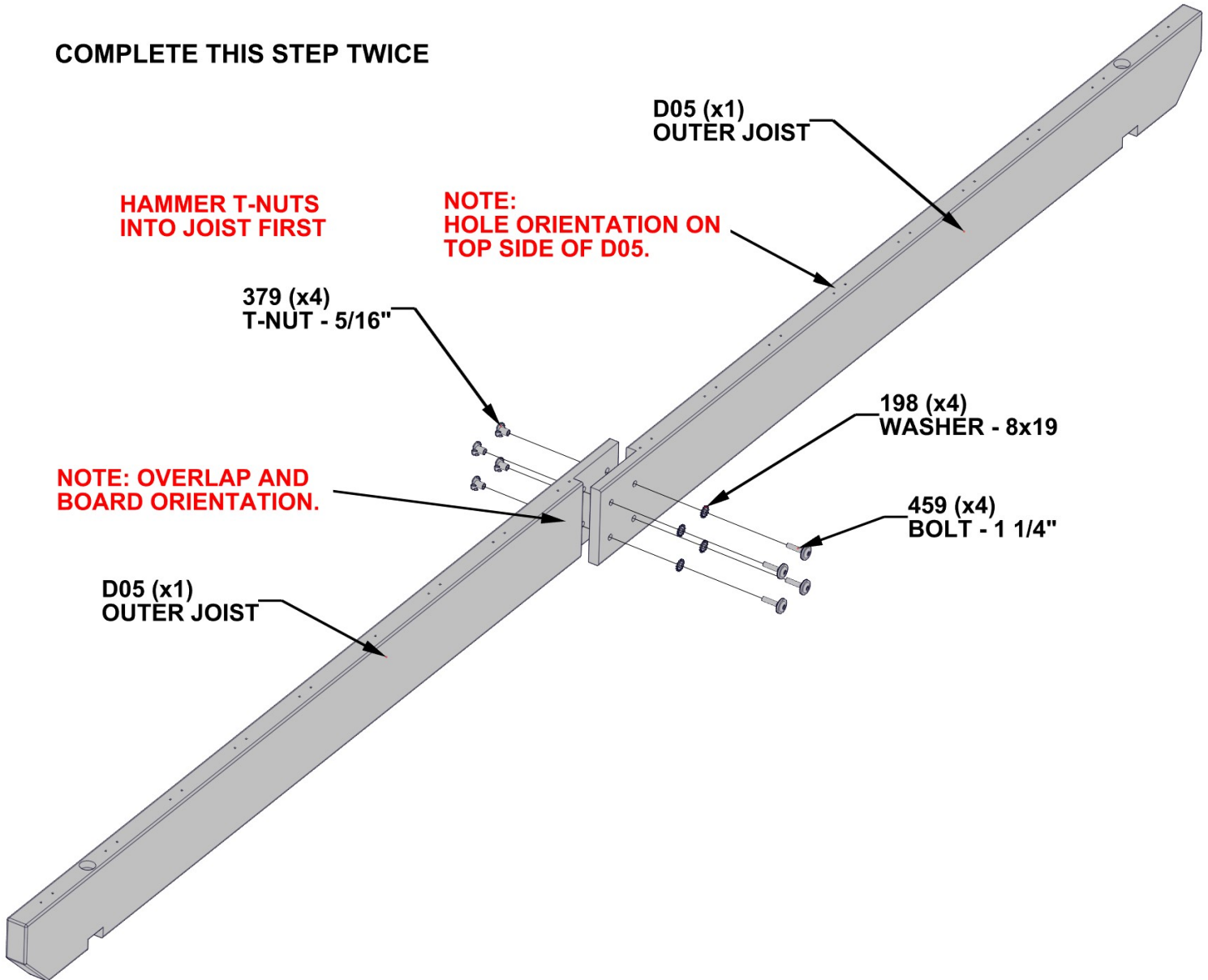
STEP 9 - PERGOLA ASSEMBLY



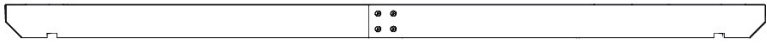
D05 | OUTER JOIST-W4L16761
 (x4) | 1 7/16"x5 1/4"x62 3/8" (36x134x1585)

Qty	PART NUMBER	DESCRIPTION
8	H100459	BOLT WH 5/16x1 1/4 BLK
8	H100379	T-NUT 5/16 BLK
8	H100198	WASHER LOCK EXT 8x19

COMPLETE THIS STEP TWICE



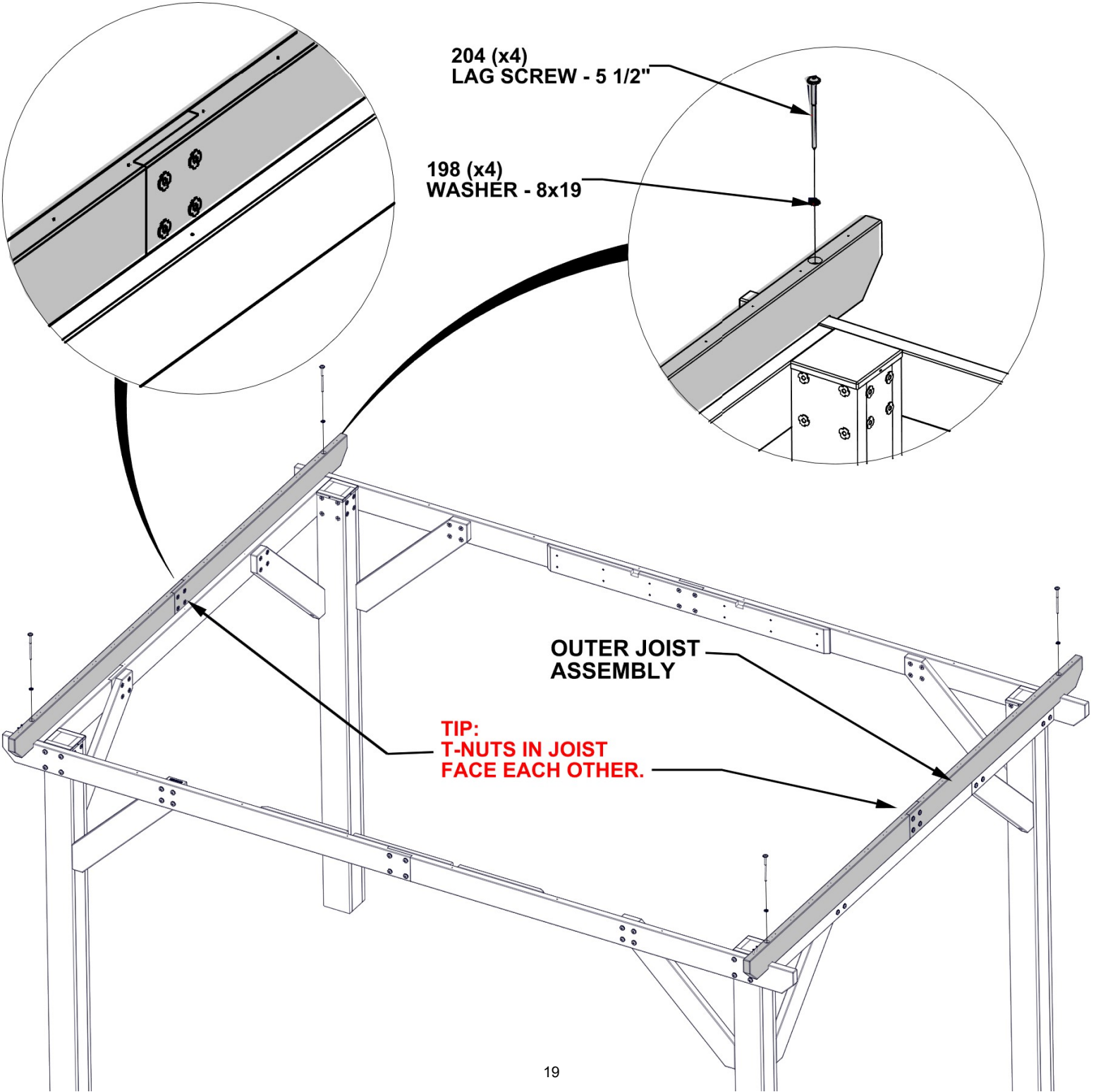
STEP 10 - PERGOLA ASSEMBLY



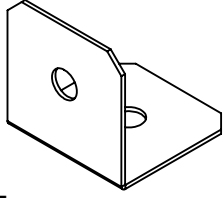
**OUTER JOIST ASSEMBLY
FROM STEP 9**

Qty	PART NUMBER	DESCRIPTION
4	H100204	LAG SCREW WH 5/16x5 1/2 BLK
4	H100198	WASHER LOCK EXT 8x19

**ALIGN SLOTS IN OUTER JOIST ASSEMBLY FROM PREVIOUS STEP WITH BEAM.
INSERT LAG SCREWS THROUGH JOIST INTO PILOT HOLES.**



STEP 11 - PERGOLA ASSEMBLY

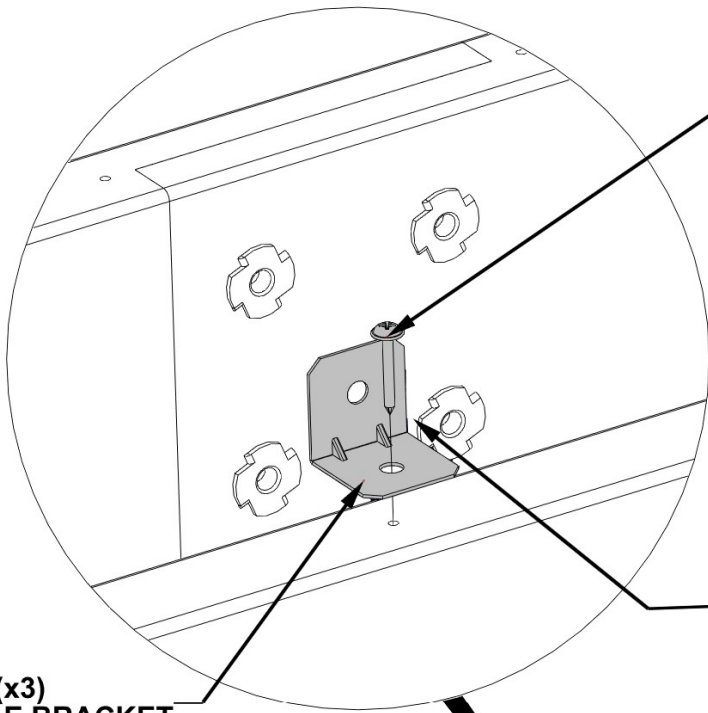


A4M01785 | ANGLE BRACKET
(x6)

Qty	PART NUMBER	DESCRIPTION
6	H100797	SCREW PWH 8x1 BLK

**COMPLETE THIS STEP
FOR BOTH SIDES**

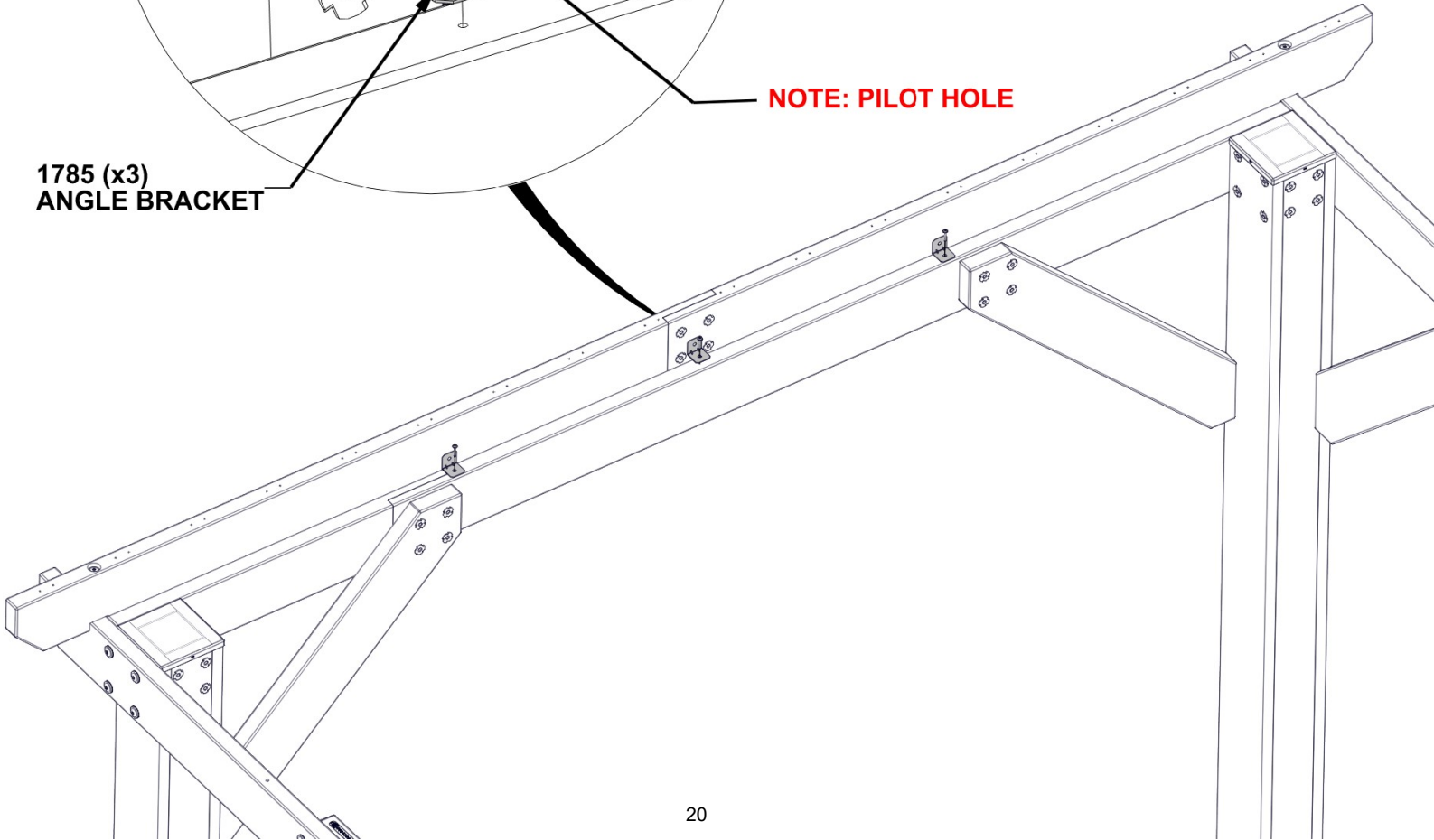
**ALIGN ANGLE BRACKETS (6 TOTAL) WITH
PILOT HOLES IN TOP SIDE OF BEAM.
INSERT SCREWS AS SHOWN BELOW. DO
NOT OVERTIGHTEN.**



**797 (x3)
SCREW - 1"**

NOTE: PILOT HOLE

**1785 (x3)
ANGLE BRACKET**

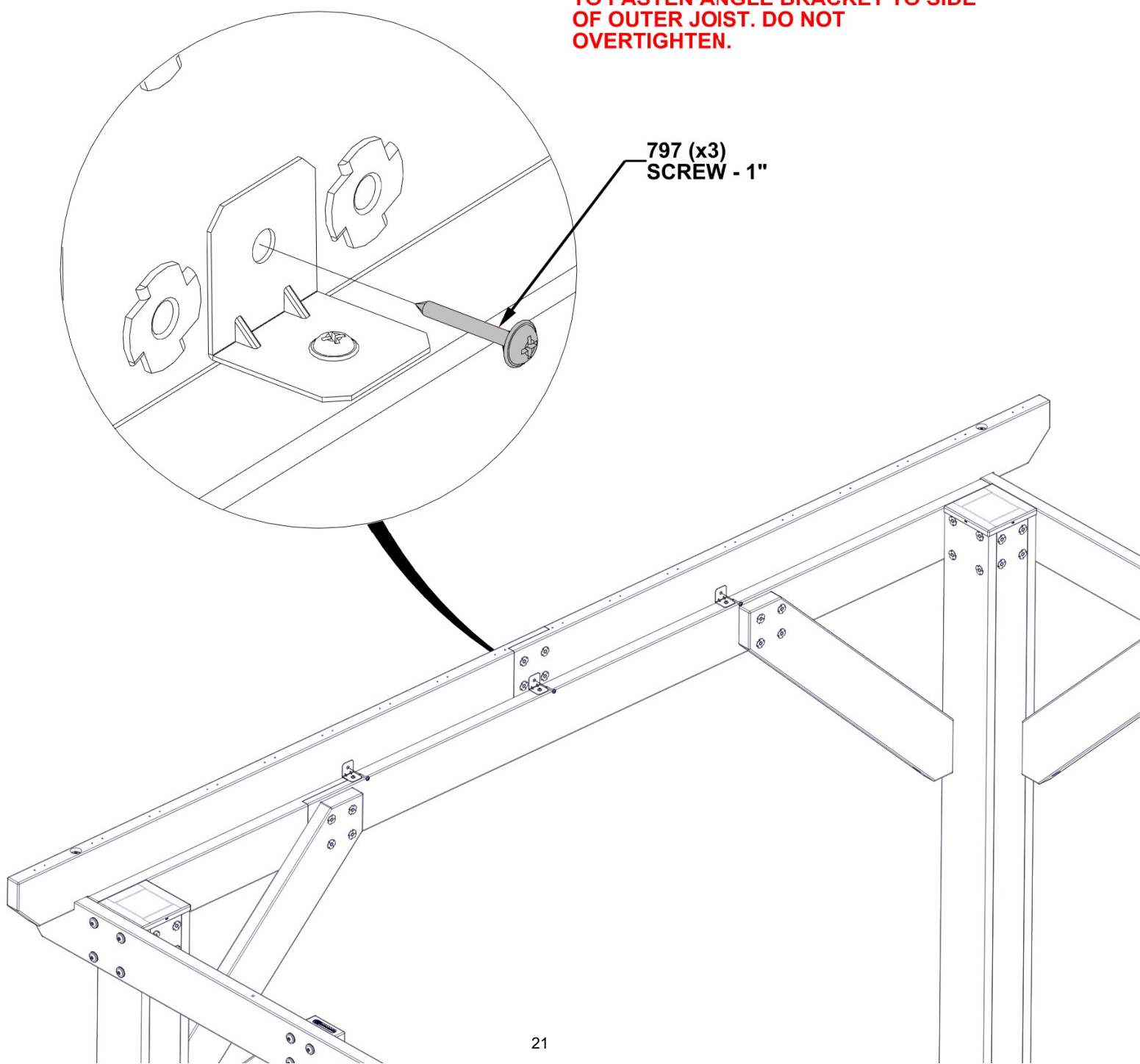


STEP 12 - PERGOLA ASSEMBLY

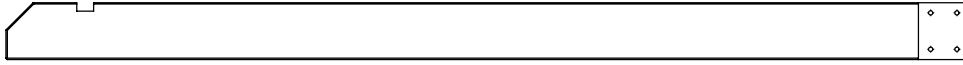
Qty	PART NUMBER	DESCRIPTION
6	H100797	SCREW PWH 8x1 BLK

COMPLETE THIS STEP
FOR BOTH SIDES

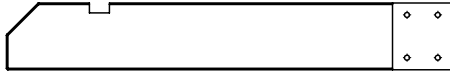
INSERT SCREWS AS SHOWN BELOW
TO FASTEN ANGLE BRACKET TO SIDE
OF OUTER JOIST. DO NOT
OVERTIGHTEN.



STEP 13 - PERGOLA ASSEMBLY



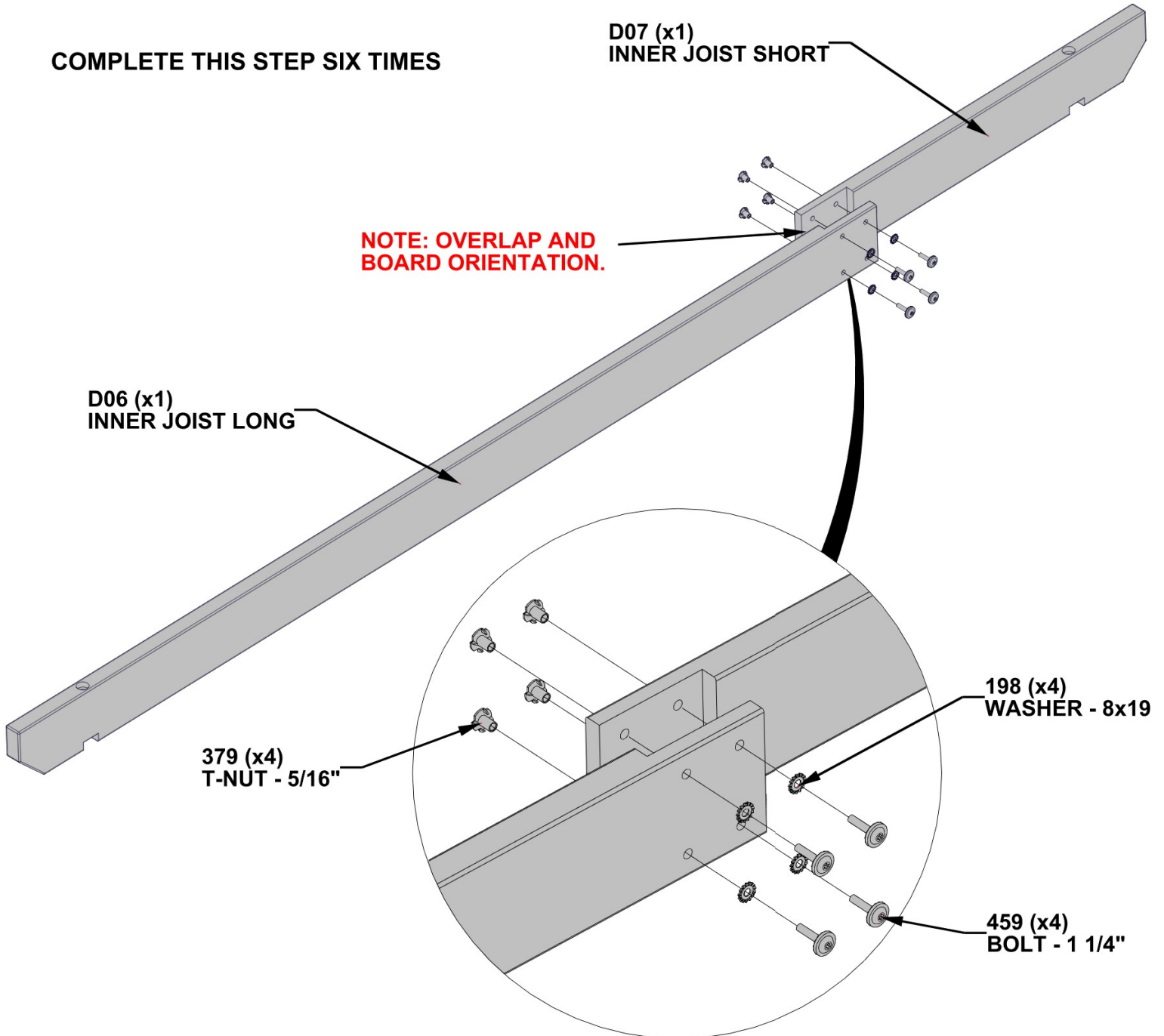
D06 | INNER JOIST LONG-W4L16762
 (x6) | 1 7/16"x5 1/4"x89 1/2" (36x134x2274)



D07 | INNER JOIST SHORT-W4L16763
 (x6) | 1 7/16"x5 1/4"x35 1/4" (36x134x896)

Qty	PART NUMBER	DESCRIPTION
24	H100379	T-NUT 5/16 BLK
24	H100198	WASHER LOCK EXT 8x19
24	H100459	BOLT WH 5/16x1 1/4 BLK

COMPLETE THIS STEP SIX TIMES



STEP 14 - PERGOLA ASSEMBLY



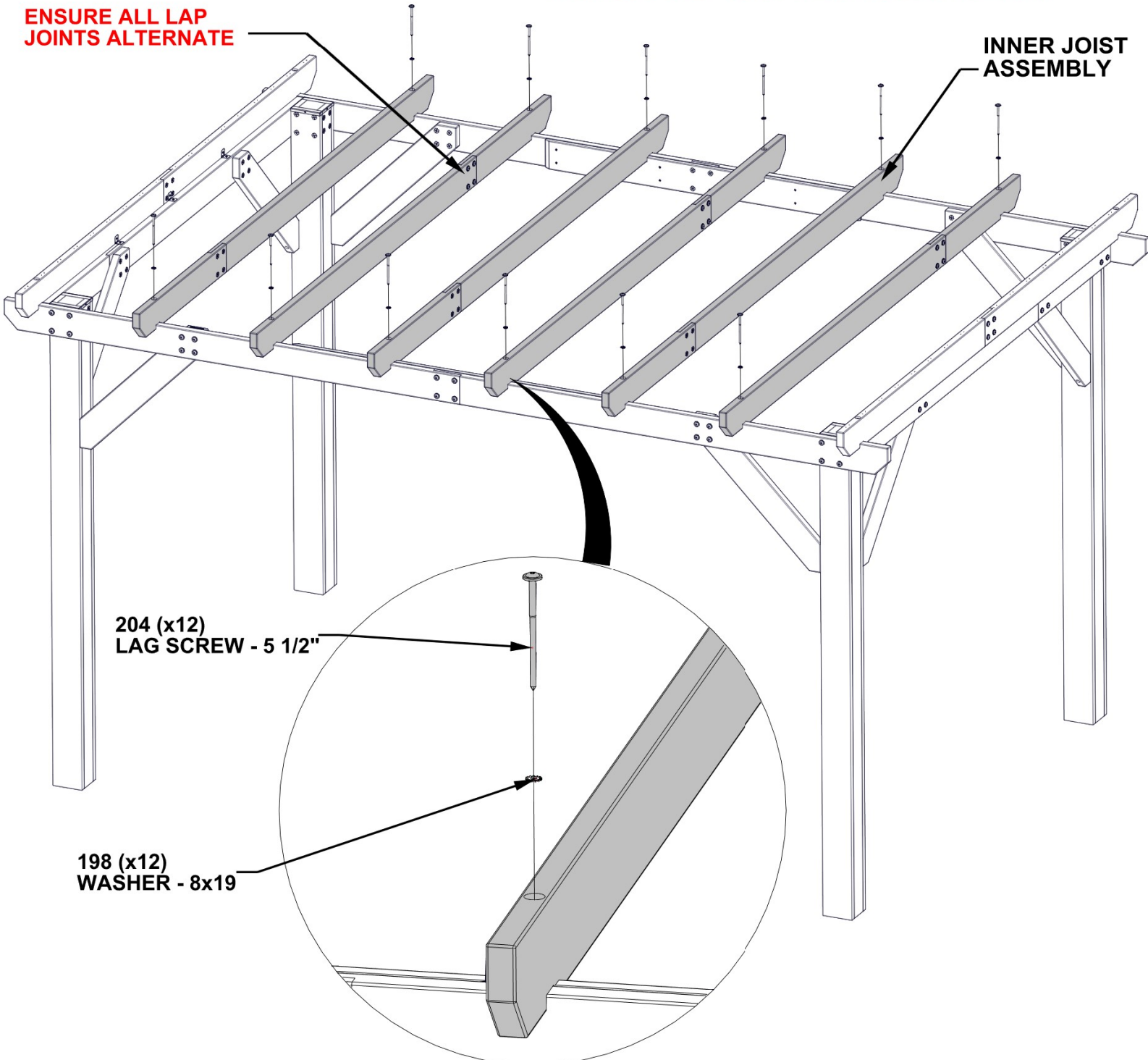
**INNER JOIST ASSEMBLY
FROM STEP 13**

Qty	PART NUMBER	DESCRIPTION
12	H100204	LAG SCREW WH 5/16x5 1/2 BLK
12	H100198	WASHER LOCK EXT 8x19

ATTACH INNER JOIST ASSEMBLIES FROM PREVIOUS STEP USING PILOT HOLES IN BEAMS.

ENSURE ALL LAP JOINTS ALTERNATE

INNER JOIST ASSEMBLY



**204 (x12)
LAG SCREW - 5 1/2"**

**198 (x12)
WASHER - 8x19**

STEP 15 - PERGOLA ASSEMBLY



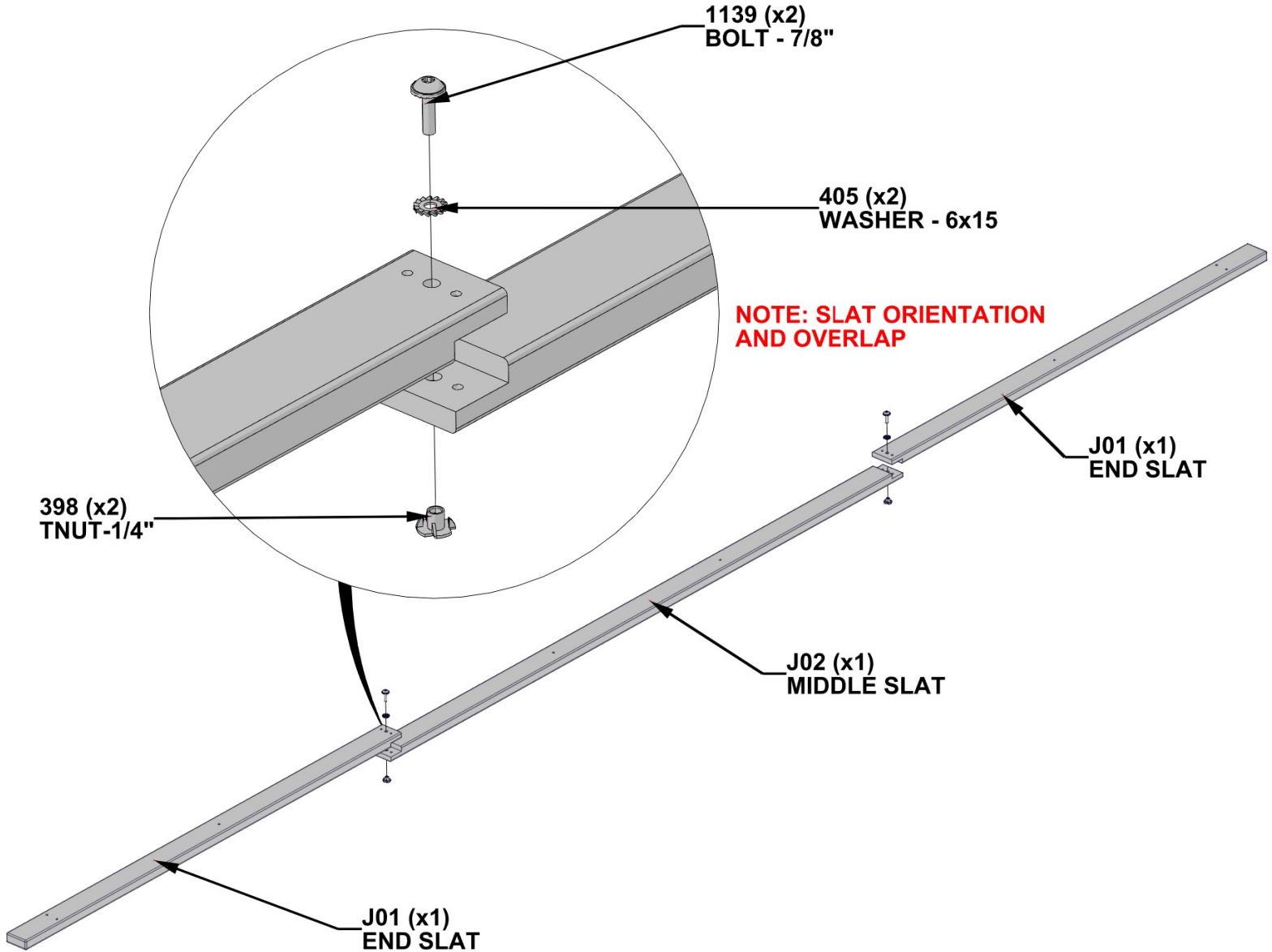
J01 | END SLAT-W4L16764
 (x36) | 15/16"x2 3/8"x50 3/16" (24x60x1274)

Qty	PART NUMBER	DESCRIPTION
36	H100405	WASHER LOCK EXT 6x15
36	H101139	BOLT WH 1/4x7/8 BLK
36	H100398	TNUT-1/4" BLK



J02 | MIDDLE SLAT-W4L16765
 (x18) | 15/16"x2 3/8"x68 3/8" (24x60x1736)

COMPLETE THIS STEP 18 TIMES

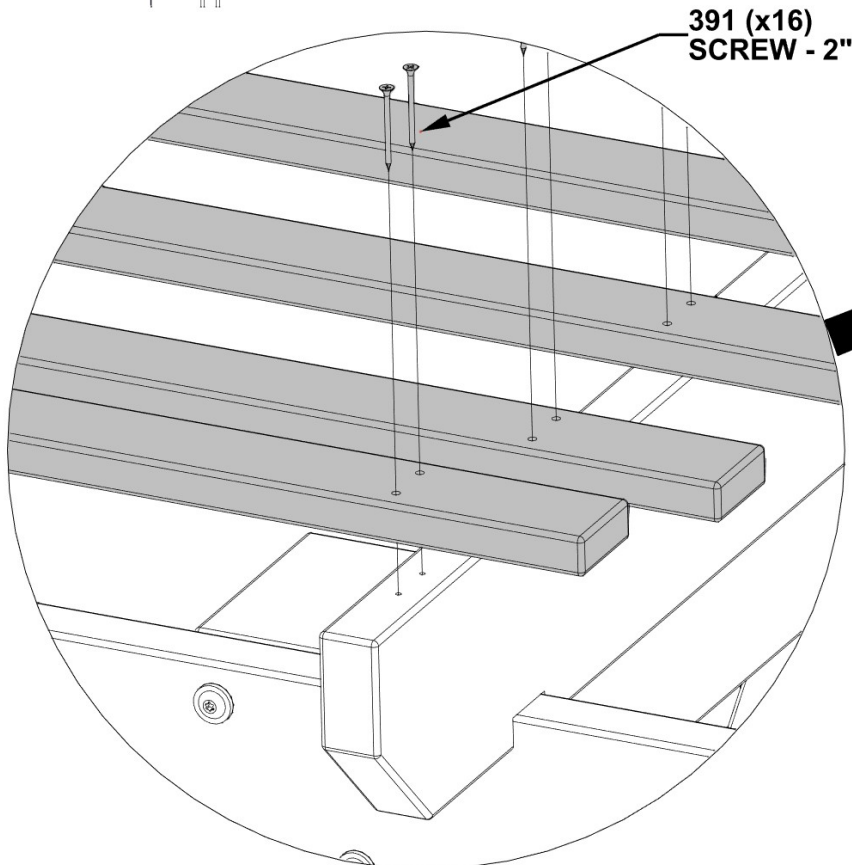
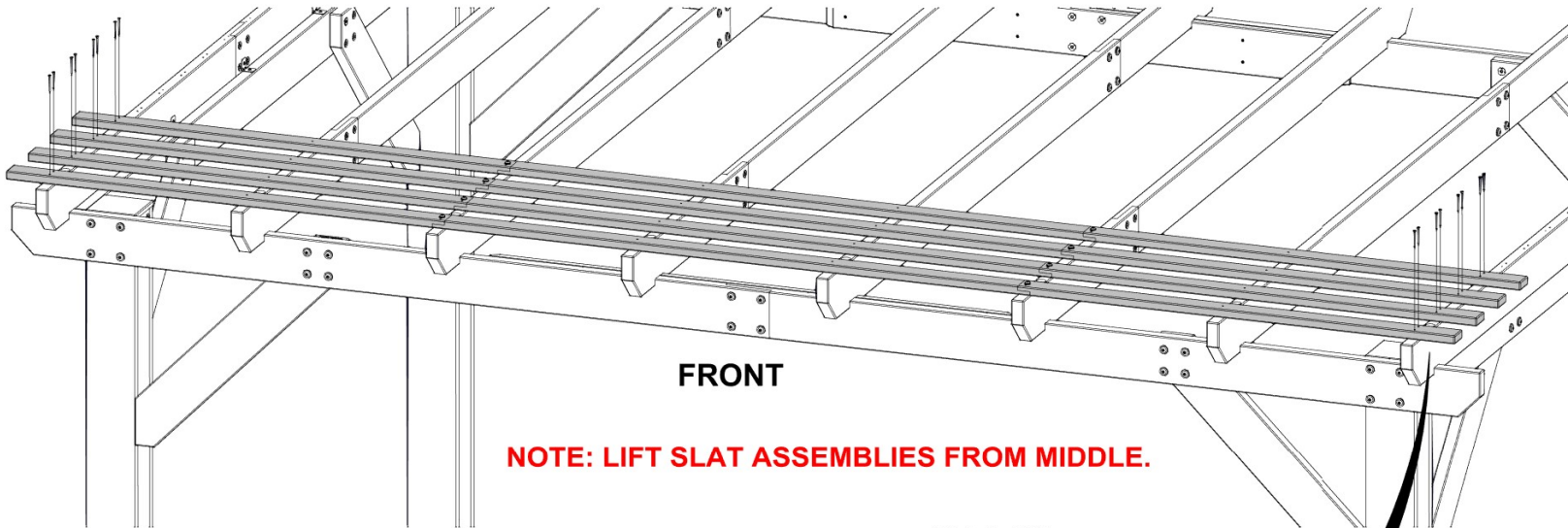


STEP 16 - PERGOLA ASSEMBLY

SLAT ASSEMBLY FROM STEP 15

Qty	PART NUMBER	DESCRIPTION
16	H100391	SCREW PFH 8x2 BLK

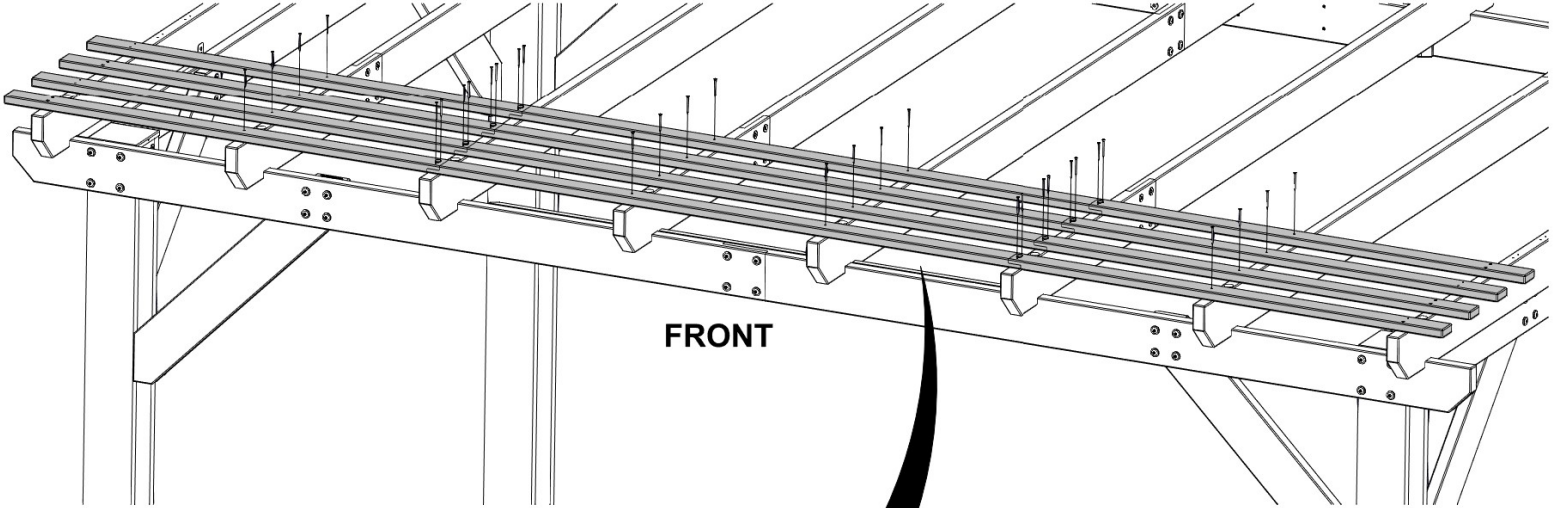
START WITH FOUR SLAT ASSEMBLIES AND PLACE THEM ON TOP OF JOIST IN THE ORIENTATION BELOW. START FROM THE FRONT AND WORK TOWARD THE BACK, ALIGNING SLATS AT EACH END WITH PILOT HOLES. SCREW IN PLACE.



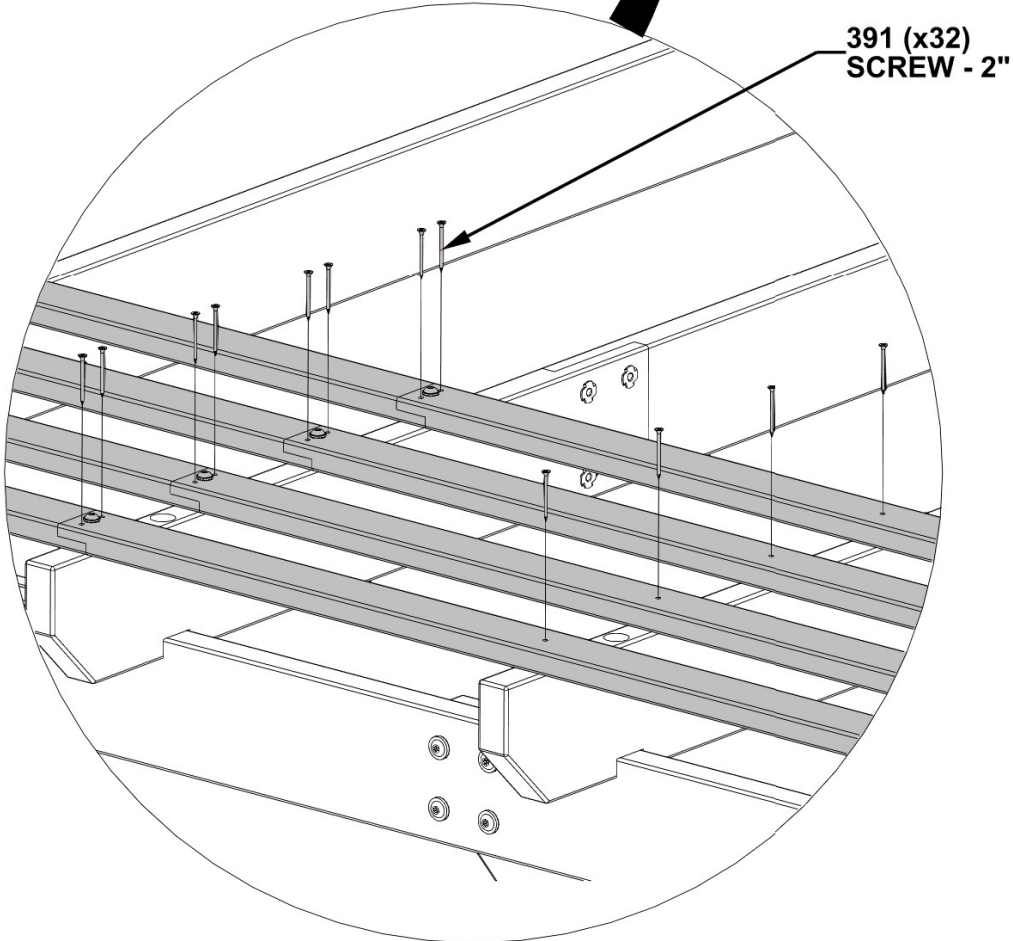
STEP 17 - PERGOLA ASSEMBLY

Qty	PART NUMBER	DESCRIPTION
32	H100391	SCREW PFH 8x2 BLK

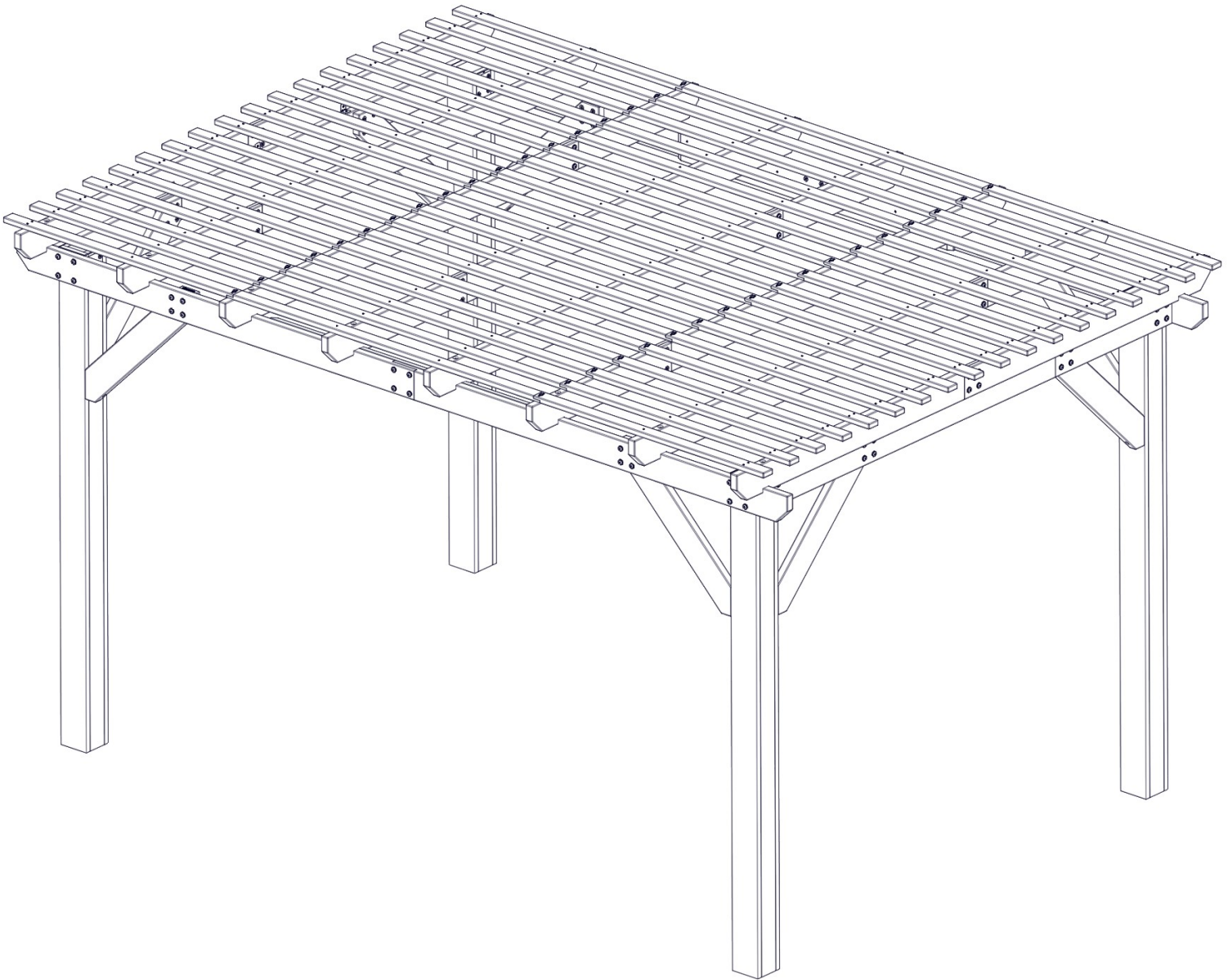
NOTE: WITH ENDS OF SLAT ASSEMBLIES FASTENED IN PLACE, INSERT REMAINING SCREWS TO FASTEN CENTER OF SLATS TO JOIST.



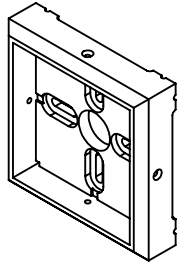
FRONT



**REPEAT STEPS 16 THROUGH 17
TO INSTALL REMAINING SLATS**



STEP 18 - PERGOLA ASSEMBLY

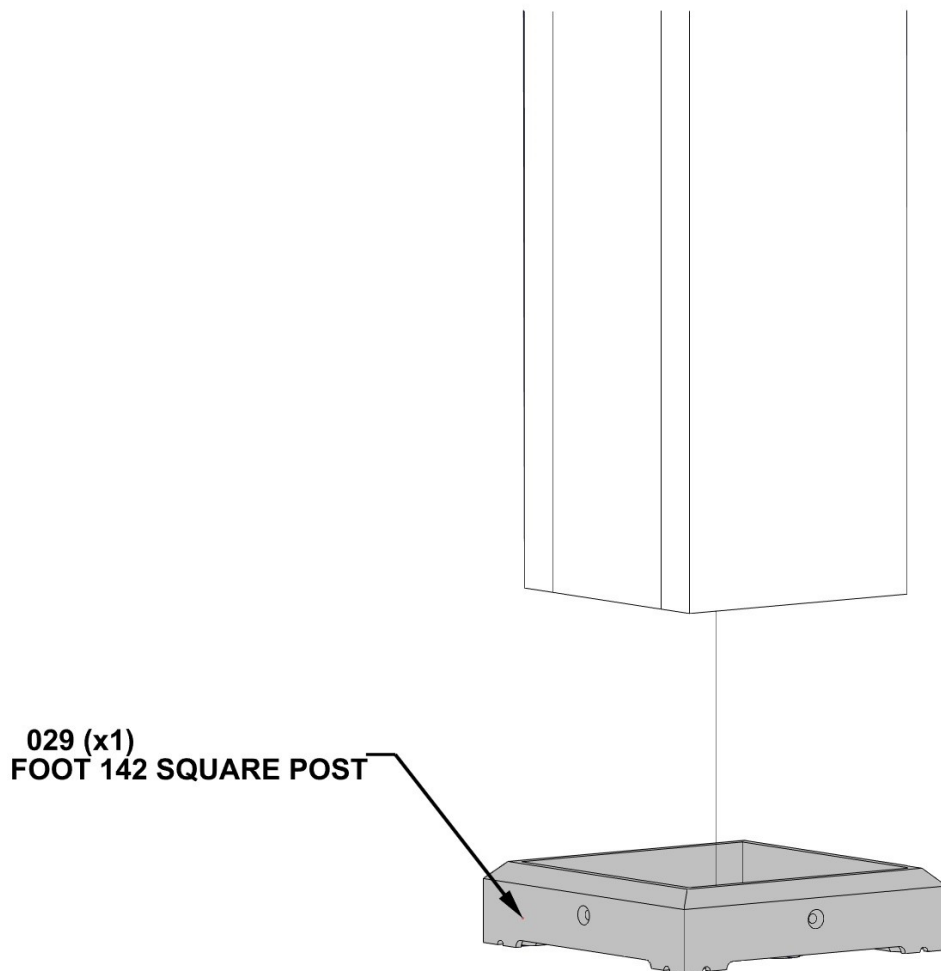


A100029
(x4) | FOOT 142 SQUARE POST

DECIDE WHERE TO PLACE THE PERGOLA. PLACE THE PERGOLA EXACTLY WHERE IT WILL BE ANCHORED WHEN COMPLETED AND SLIDE A FOOT UNDER EACH POST.

**NOTE:
MANUFACTURER RECOMMENDS INSTALLATION ON CONCRETE SURFACE OR CONCRETE PIERS. SEE BELOW.**

FOR INSTALLATION ON WOOD DECKS, YOU MUST ENSURE THERE IS AMPLE STRUCTURAL SUPPORT UNDER DECK.

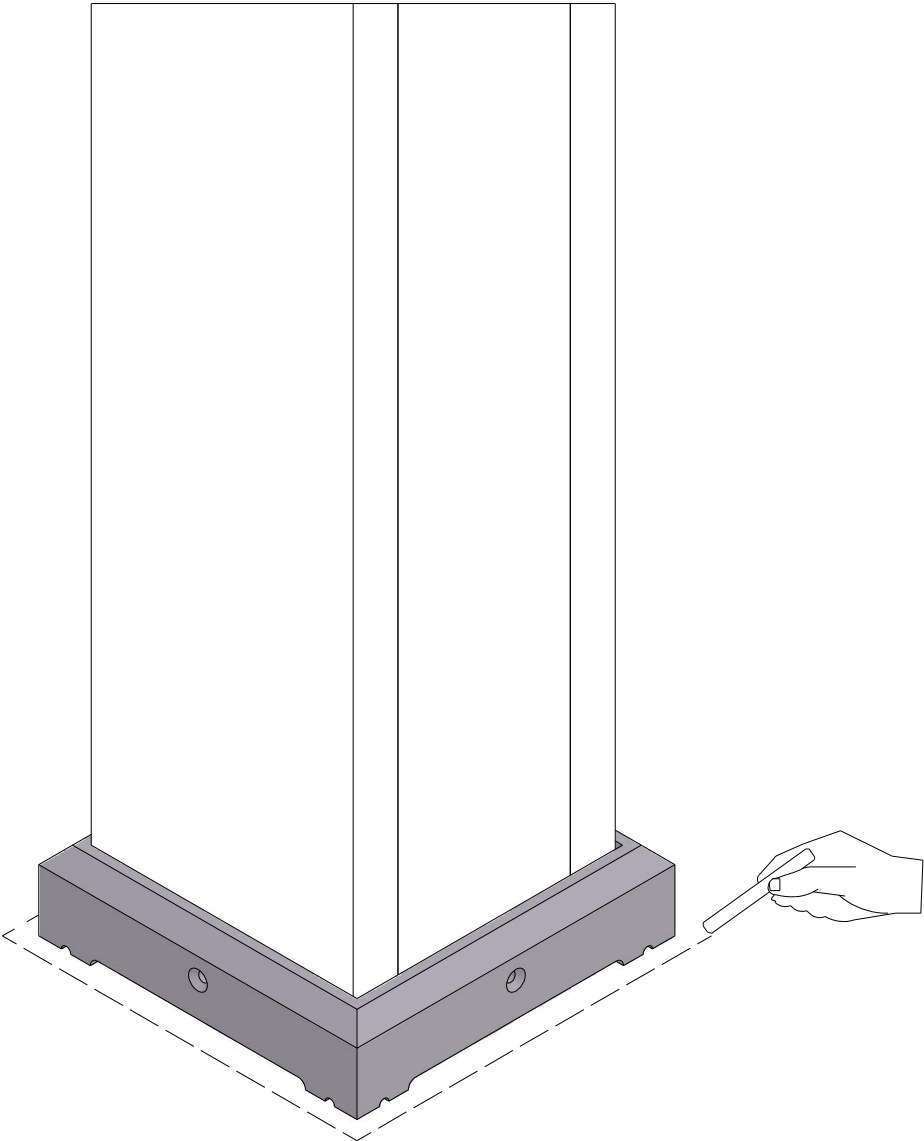


REPEAT ON ALL POSTS

SQUARE POST AND TIGHTEN ANY HARDWARE BEFORE CONTINUING TO NEXT STEP.

STEP 19 - PERGOLA ASSEMBLY

USE CHALK TO TRACE AROUND THE EDGES OF EACH FOOT TO MARK THE FEET LOCATIONS.

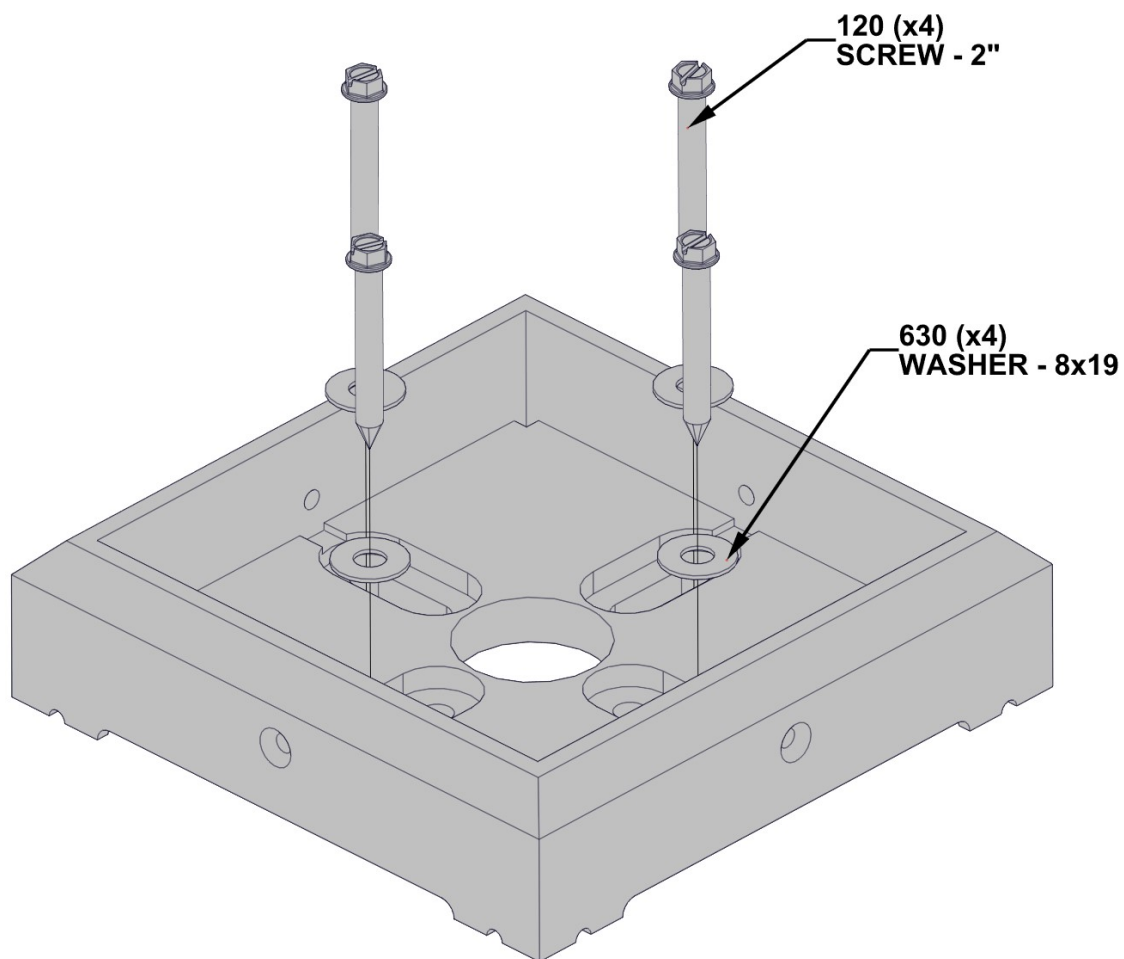


STEP 20 - PERGOLA ASSEMBLY

Qty	PART NUMBER	DESCRIPTION
16	H100630	WASHER FLAT 8x19 BLK
16	H100120	CONCRETE ANCHOR 1/4x2

MOVE THE PERGOLA ASIDE AND PLACE EACH FOOT INSIDE THE LINES DRAWN IN THE PREVIOUS STEP. USE A 3/16" CONCRETE DRILL BIT TO DRILL PILOT HOLES INTO CONCRETE PAD.

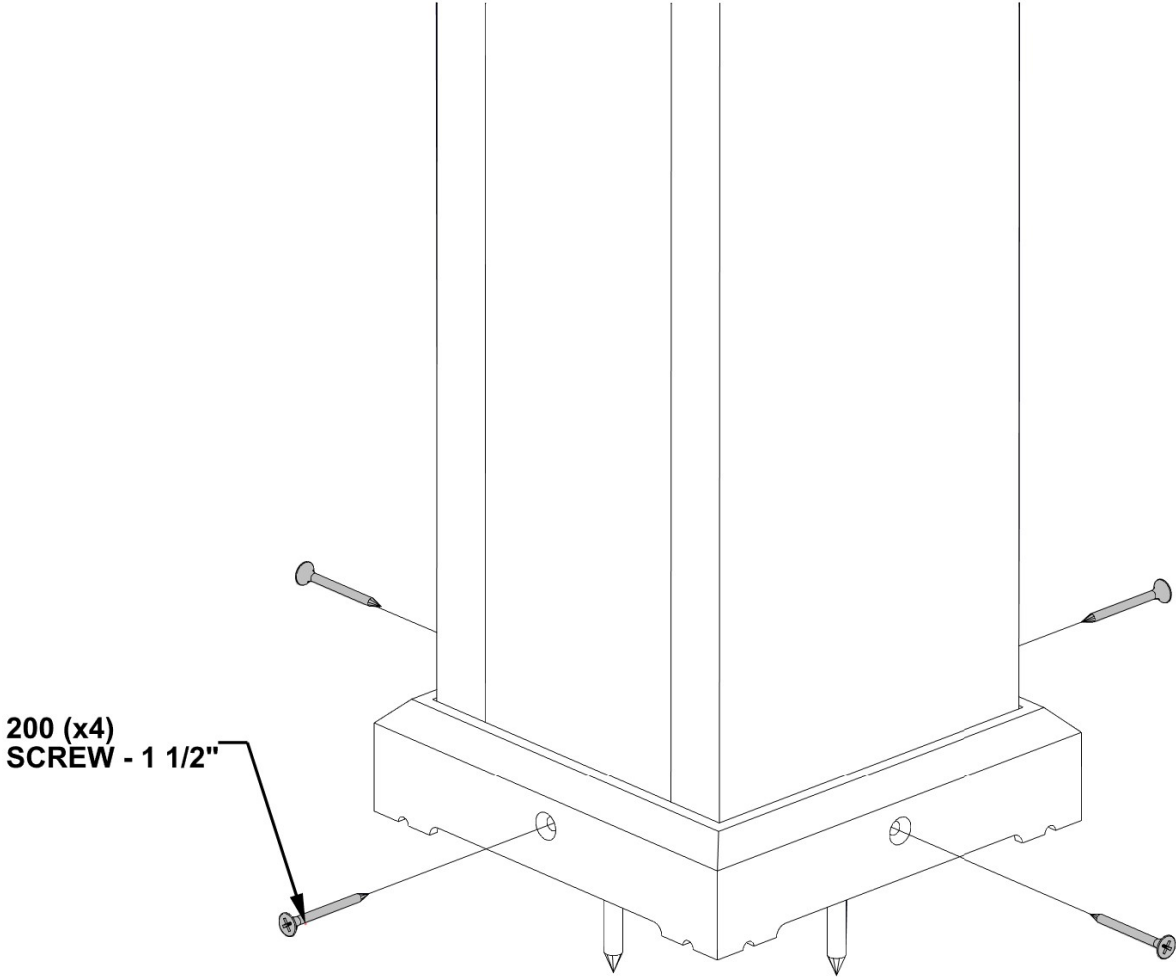
FASTEN POST FOOT AS SHOWN BELOW.



STEP 21 - PERGOLA ASSEMBLY

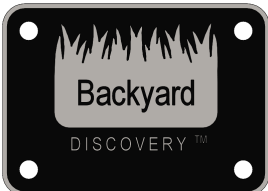
Qty	PART NUMBER	DESCRIPTION
16	H100200	SCREW PFH 8x1 1/2 BLK

**MOVE THE PERGOLA BACK INTO PLACE,
SETTING EACH POST INSIDE A FOOT AND MOUNT
AS SHOWN USING THE PROVIDED HARDWARE.**



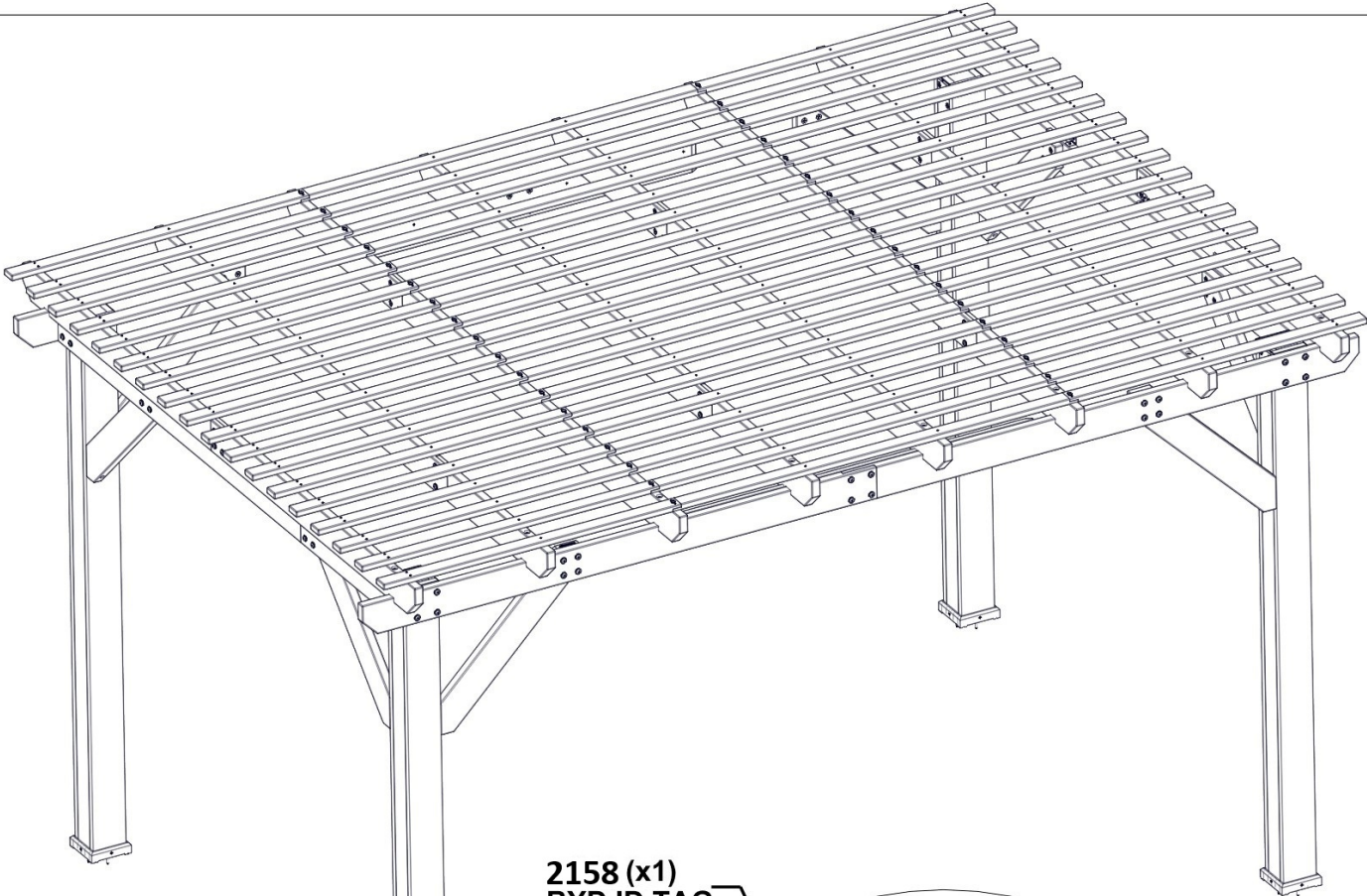
REPEAT ON ALL POSTS

STEP 22 - PERGOLA ASSEMBLY



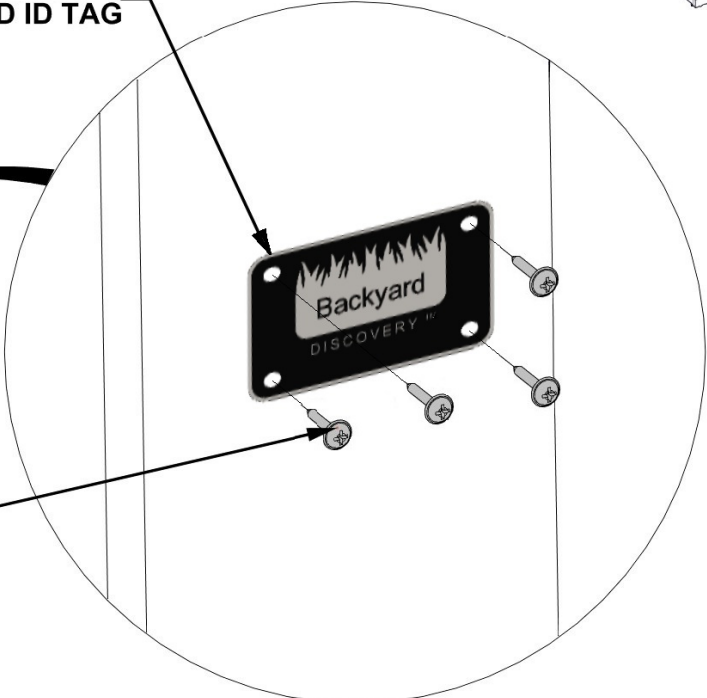
A4M02158 | BYD ID TAG PATIO
(1)

Qty	PART NUMBER	DESCRIPTION
4	H100392	SCREW PWH 8x3/4 BLK

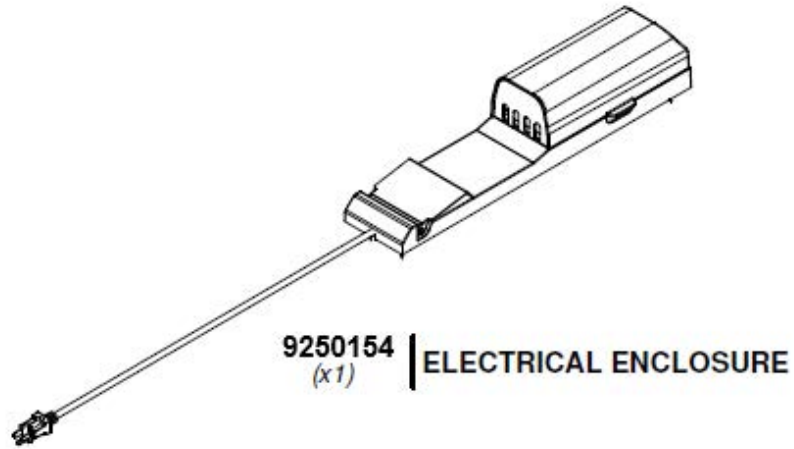


2158 (x1)
BYD ID TAG

392 (x4)
SCREW - 3/4"



STEP 23 - POWERPORT



FOR POWERPORT INSTALLATION REFER TO ASSEMBLY INSTRUCTIONS THAT COMES PACKAGED WITH THE ELECTRICAL ENCLOSURE KIT. INSTALL ON ANY POST THAT IS DESIRED. FOLLOW DIRECTIONS FOR PROPER INSTALLATION.