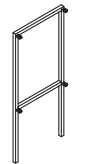
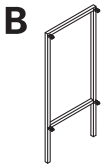
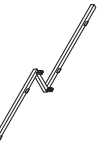

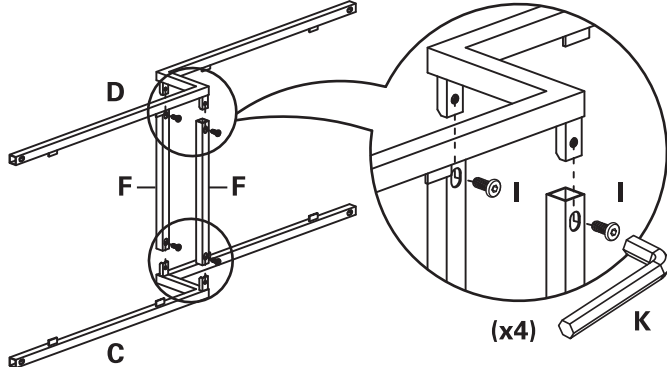
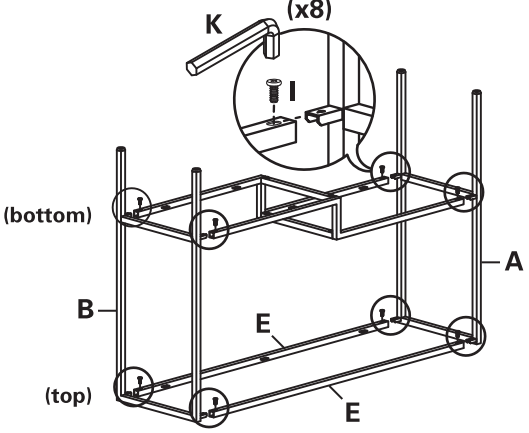






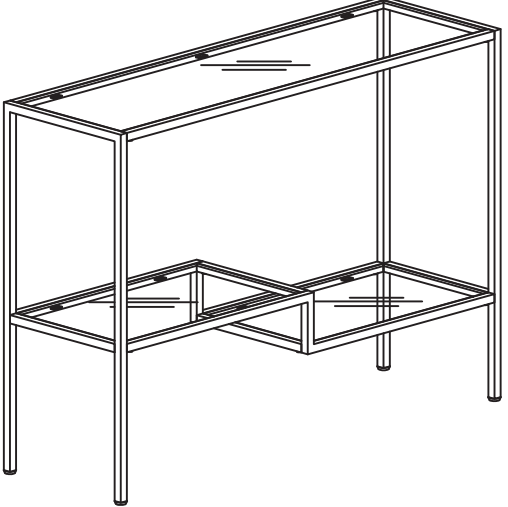

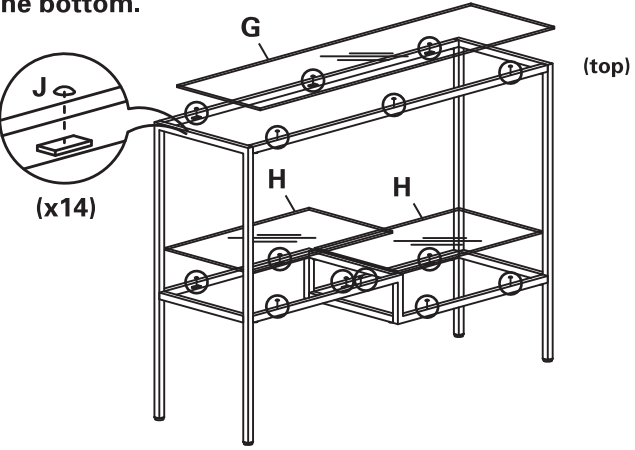


# KAYLEE MODERN CONSOLE TABLE

## ASSEMBLY INSTRUCTIONS

FIRSTIME & CO.<sup>®</sup>  
— AMERICAN DESIGNED —

PARTS			
<b>A</b>  1 PC	<b>B</b>  1 PC	<b>STEP 1</b> Attach rods (F) to sides (C + D). Tighten screws 75%.	<b>STEP 2</b> Attach rods (E) to the end frames (A + B). Attach bottom step shelf (from step 1) to the end frames (A + B). Tighten all screws 100%
<b>C</b>  1 PC	<b>D</b>  1 PC		
<b>E</b>  2 PC	<b>F</b>  2 PC		
<b>G</b>  1 PC	<b>H</b>  2 PC		
<b>I</b>  12 PC	<b>J</b>  14 PC	<b>STEP 3</b> Rotate table. Place glass pads (J) along the sides of each shelf. Set glass shelf (G) on top. Set glass shelves (H) on the bottom.	<b>FULLY ASSEMBLED</b> 
<b>K</b>  1 PC			

NOTE: DO NOT TIGHTEN SCREWS 100% UNTIL FULLY ASSEMBLED.