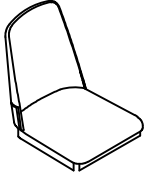


# ASSEMBLY INSTRUCTION

## DINING CHAIR

**A** Chair Body



1pc

**B** Front Leg



2pcs

**C** Back Leg



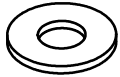
2pcs

**D** Lock Washer  
ø5/16"x13mm



8pcs

**E** Flat Washer  
ø5/16"x16mm



8pcs

**F** Bolt  
ø5/16"x2"

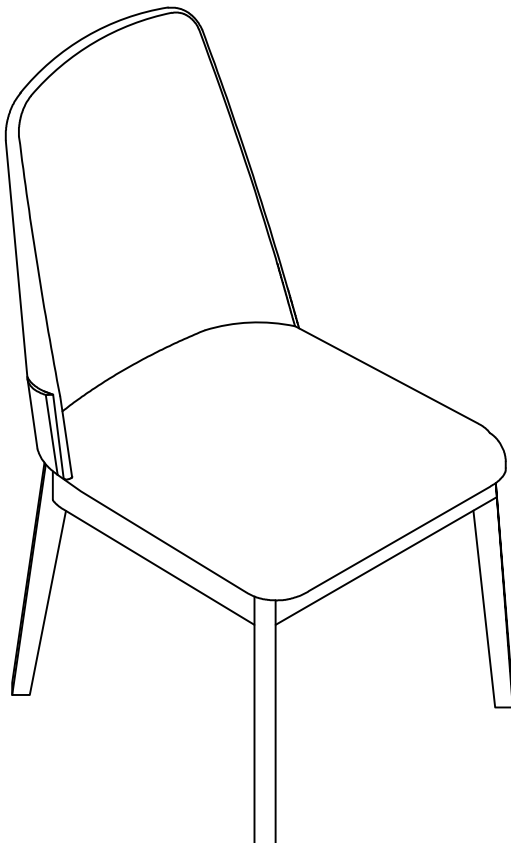


8pcs

**G** Allen Key  
M5



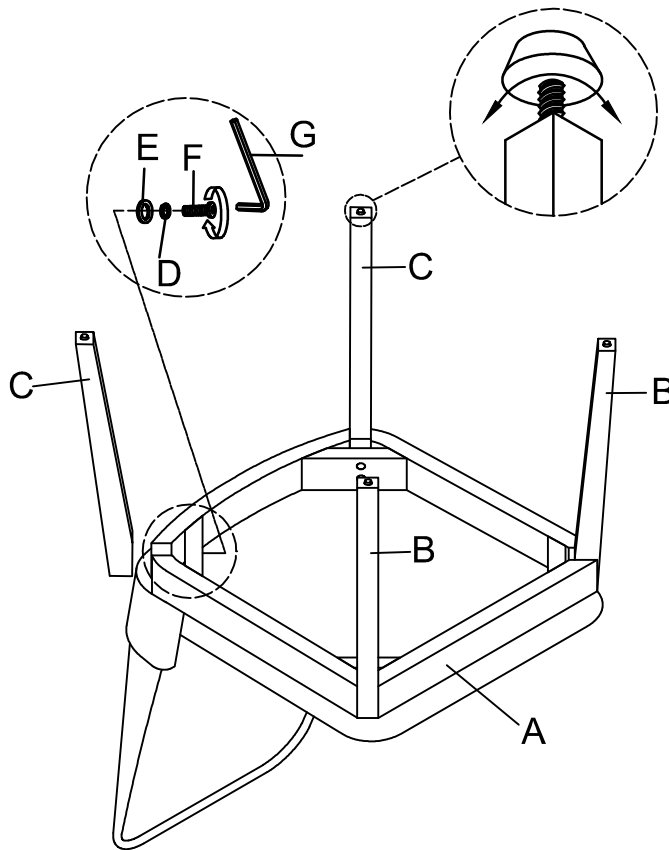
1pc



This page lists all the contents included in the box. Please take the time to identify the hardware as well as the individual components to this product. As you unpack and prepare for assembly, place the contents on a carpeted or padded area to protect them from damage.

**1** Attach Front Leg (B) & Back Leg (C) to Chair Body (A), using Bolt (F), Lock Washer (D) & Flat Washer (E) by Allen Key (G).

Take the Allen Wrench, and turn the bolts until the legs are secure.  
**DO NOT TIGHTEN COMPLETELY.**  
Stop when you feel you are adding force to tighten the bolt.



**Leveler**

Turn left or turn right to adjust the leveler until the chair is stabilized.

Stand chair up on an even surface and check that it is balanced. If there is a slight wobble, apply downward pressure in the corner where a leg is uneven. Keeping pressure in that corner, tighten all bolts. If balanced, apply downward pressure evenly in the center and tighten all bolts. Do not over-tighten beyond hole depth.

**Helpful Tip:**

-Instead of applying downward pressure while reaching under to tighten bolts, have someone sit in the chair while you tighten the bolts.

**Cleaning & Care**

Treat surface with care. Surface is resistant to scratches but is not scratch resistant. Clean surfaces with a dry or damp soft cloth. Do not use abrasive cleaners. Hardware may loosen over time. Periodically check that all connections are tight.