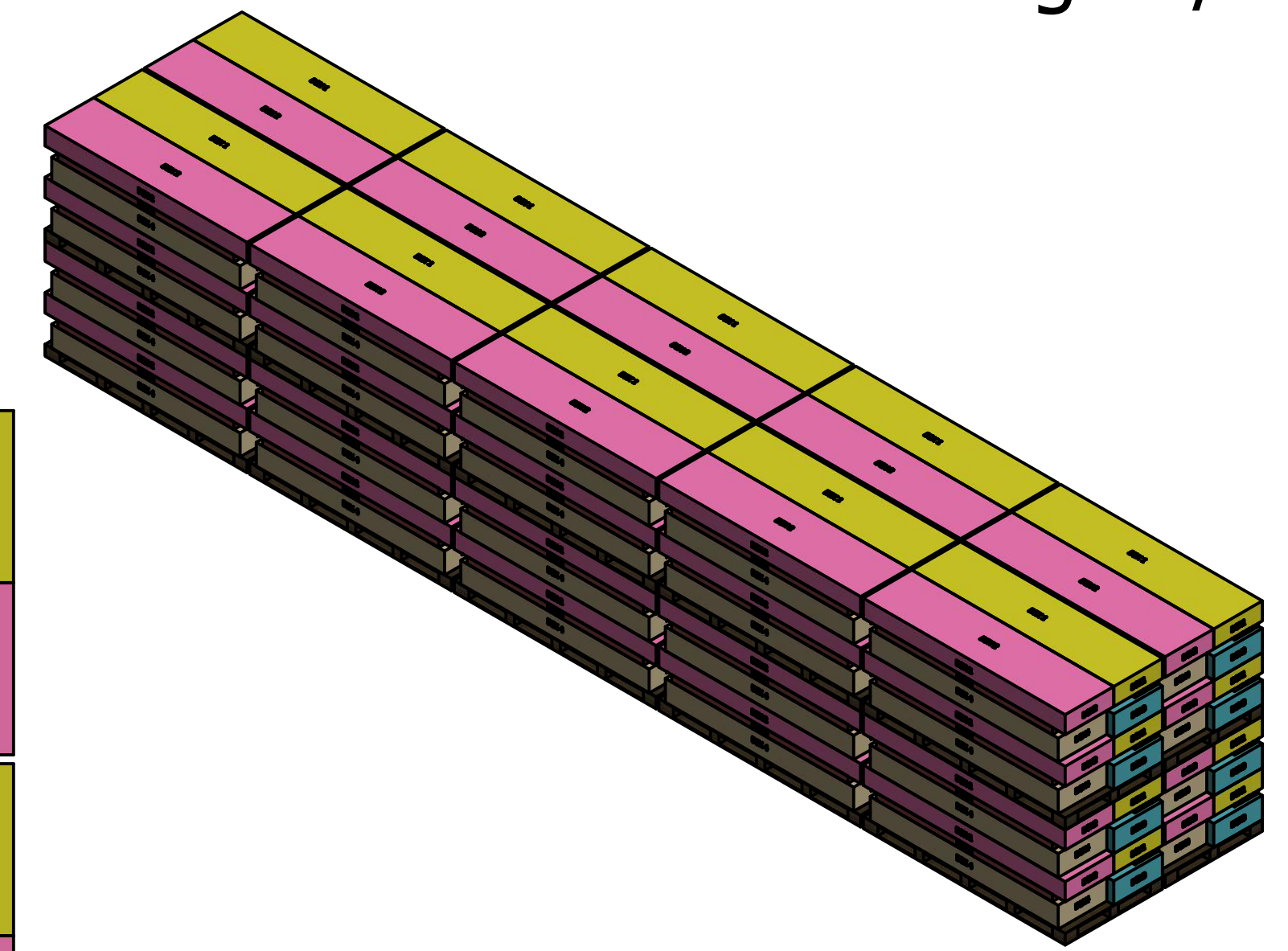
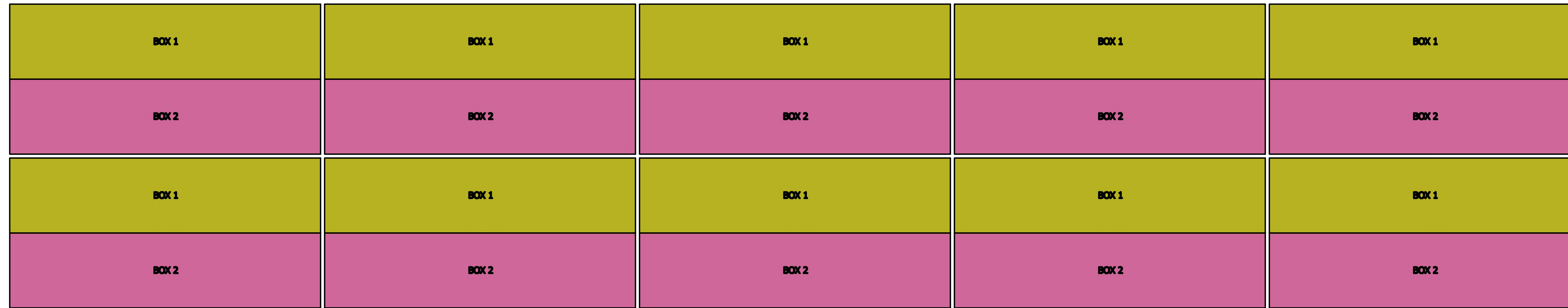


2206038B-16x12 NORWOOD GAZEBO Container Loading Diagram

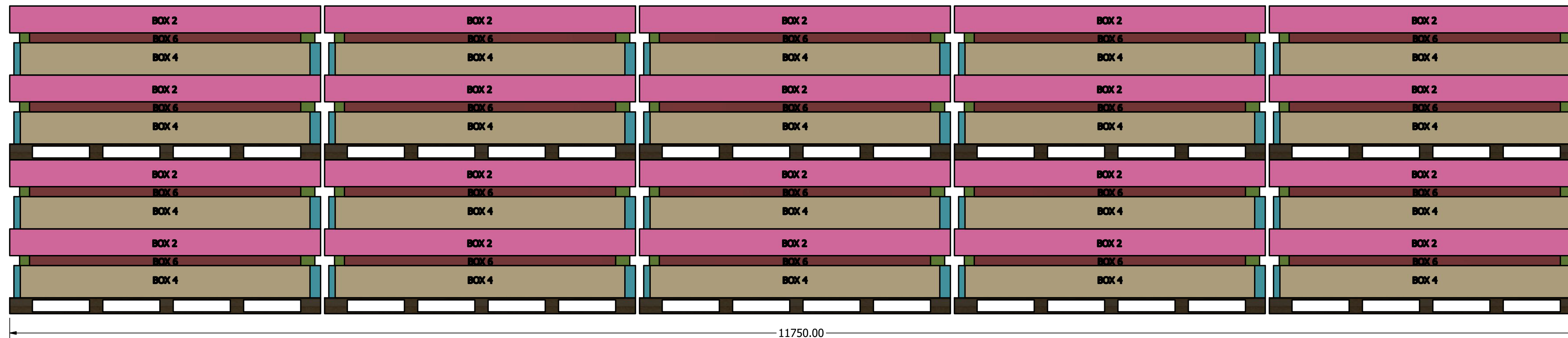
(1 set=6 boxes, 40 sets/40HQ, 20 pallets/ 40HQ, Gross Weight:19920kg)



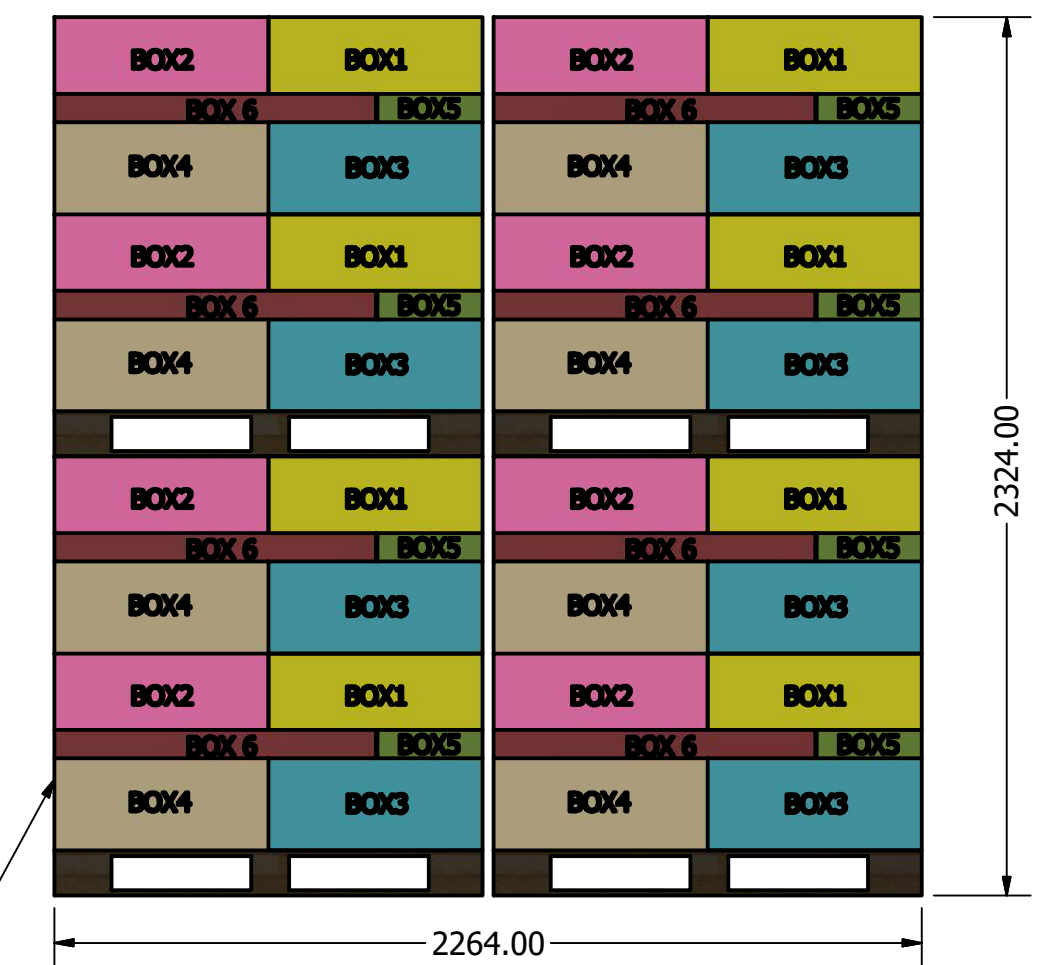
Top view



Side view



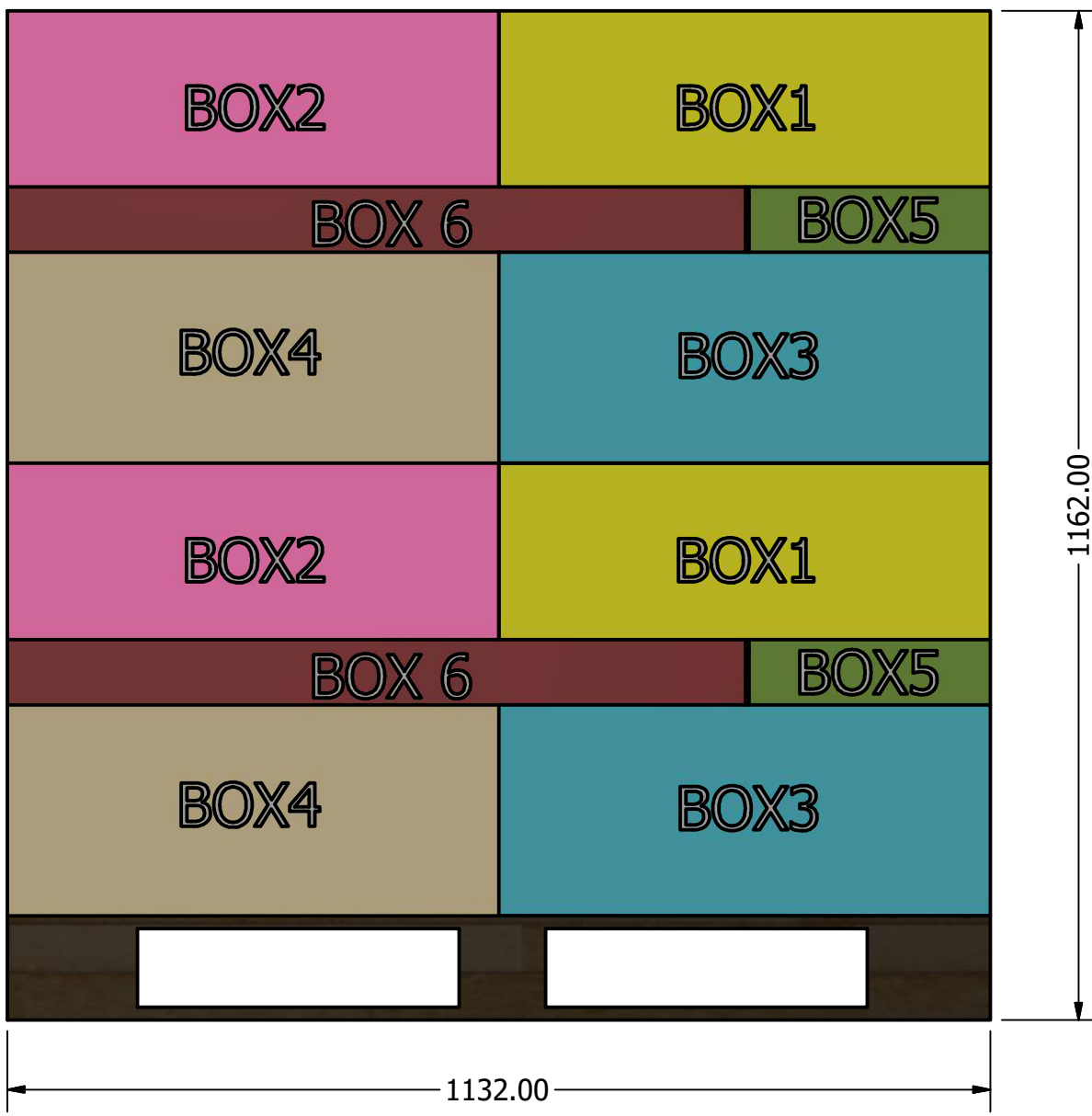
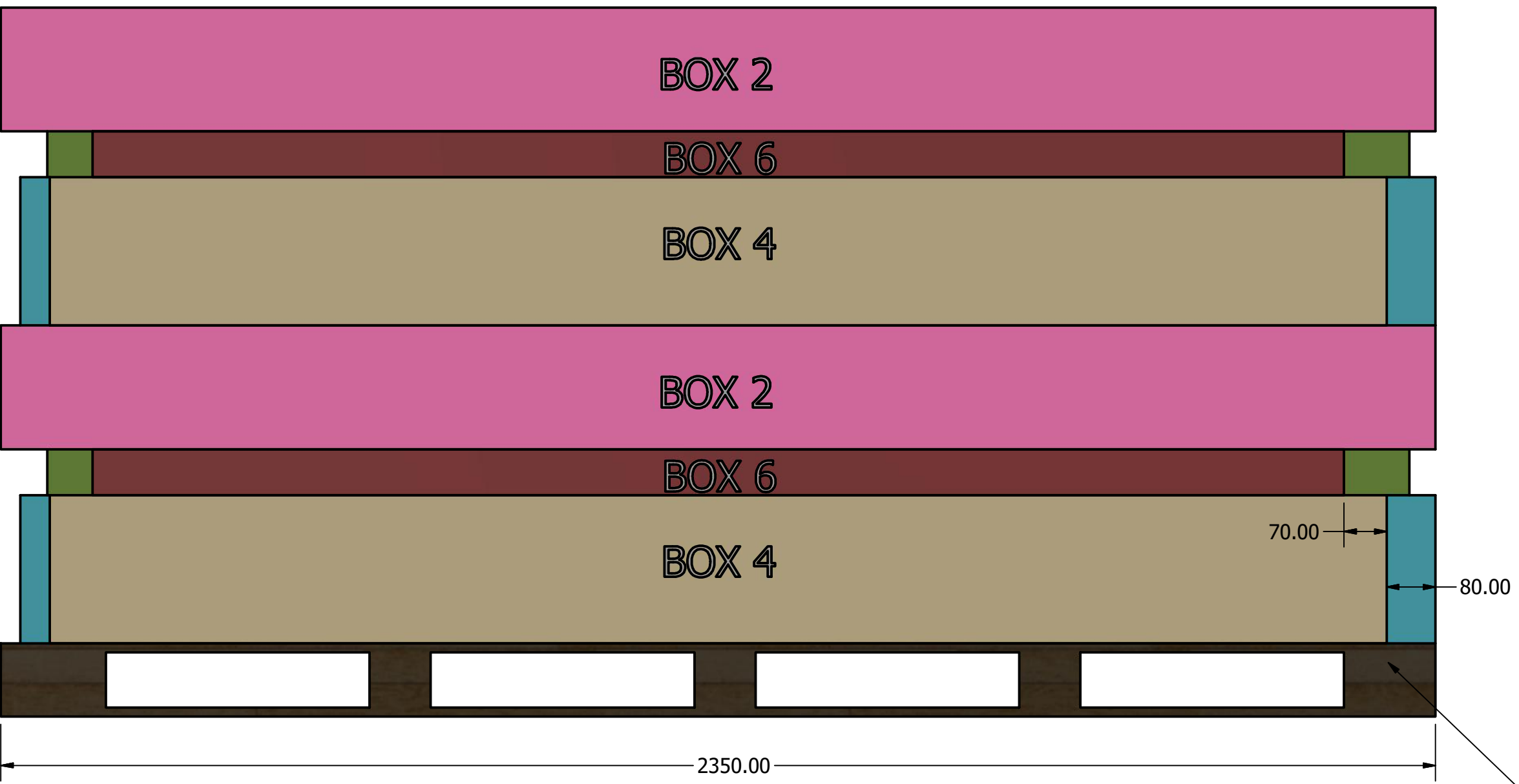
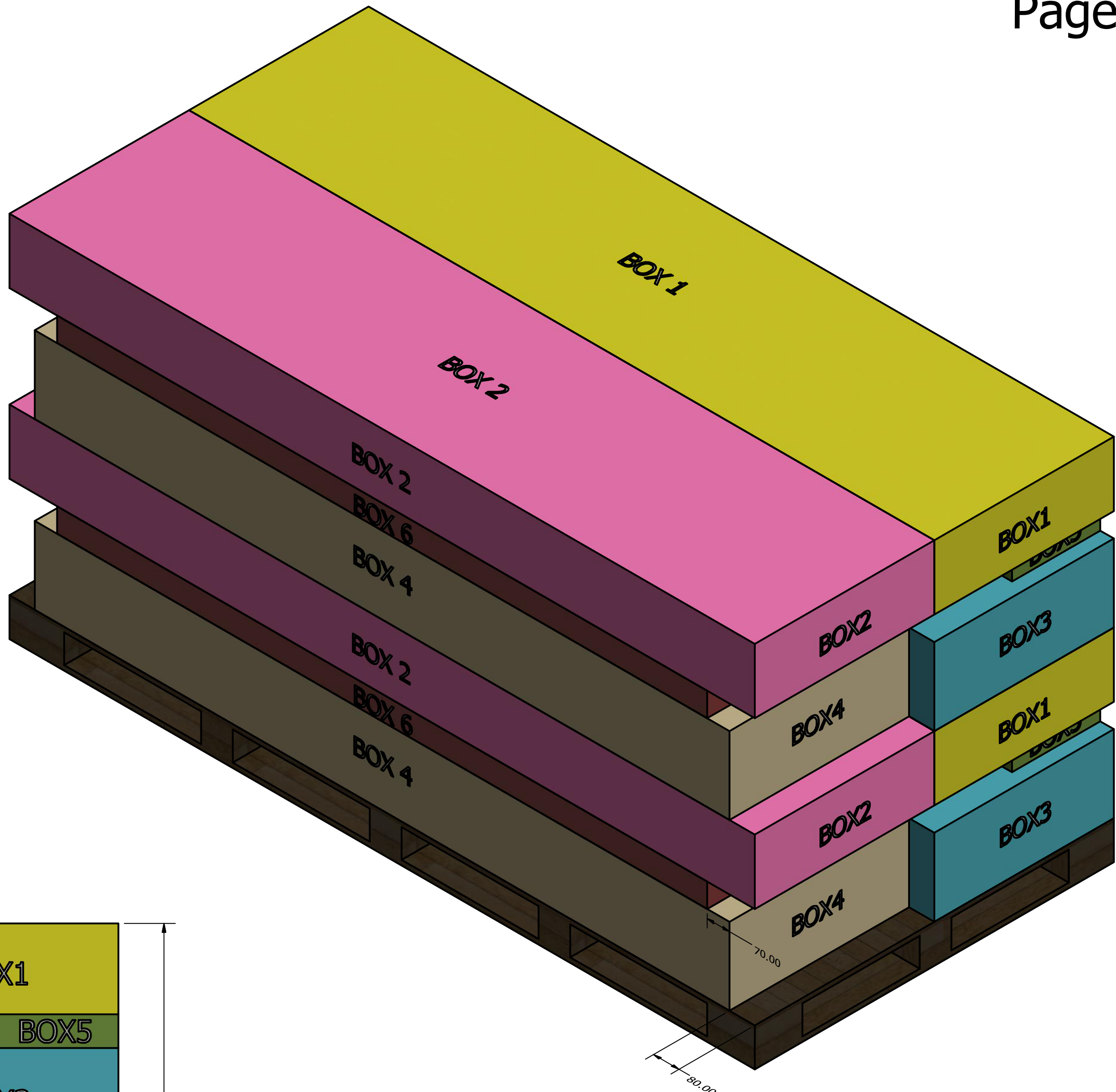
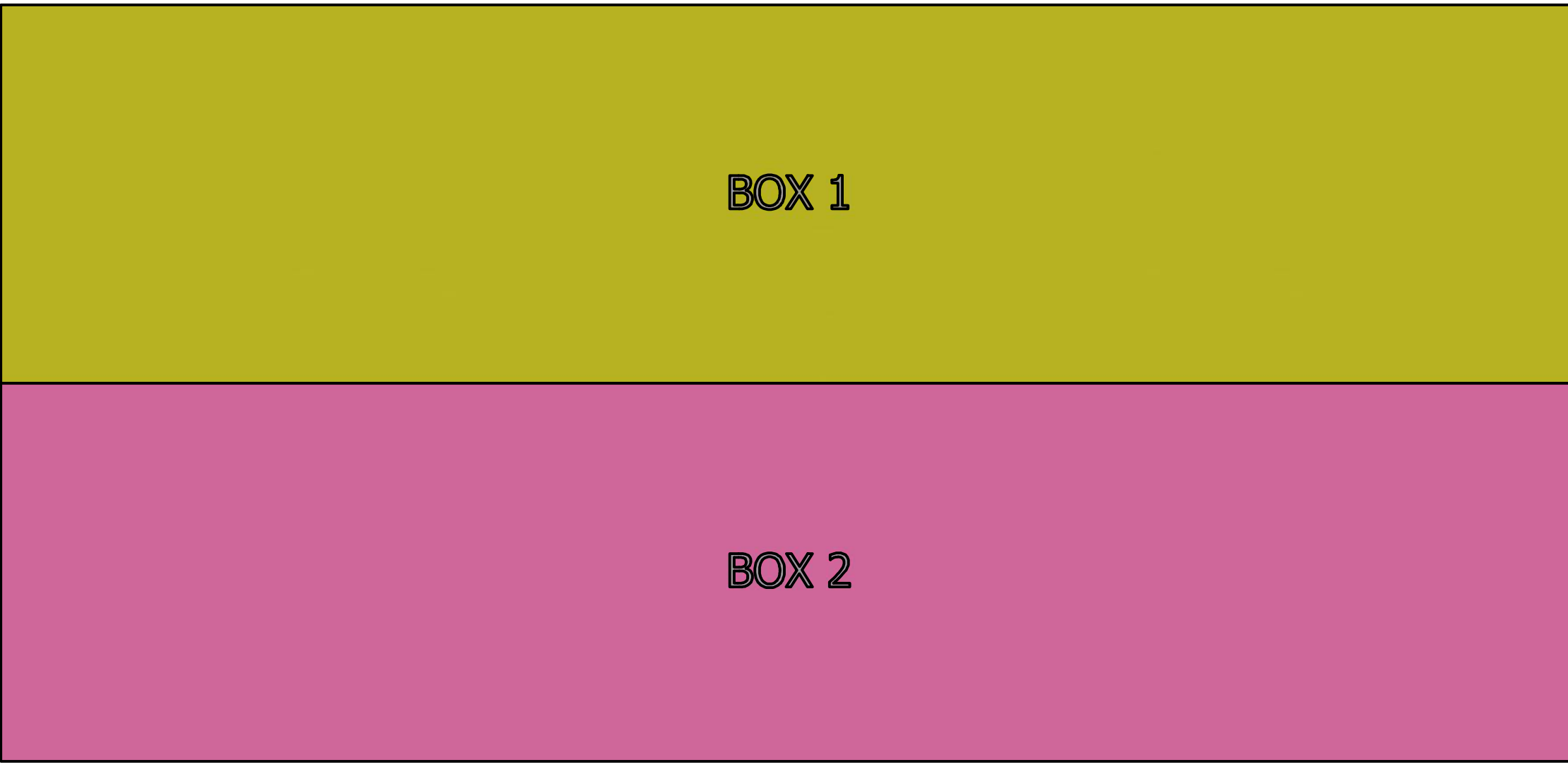
End view



Pallet A * 20

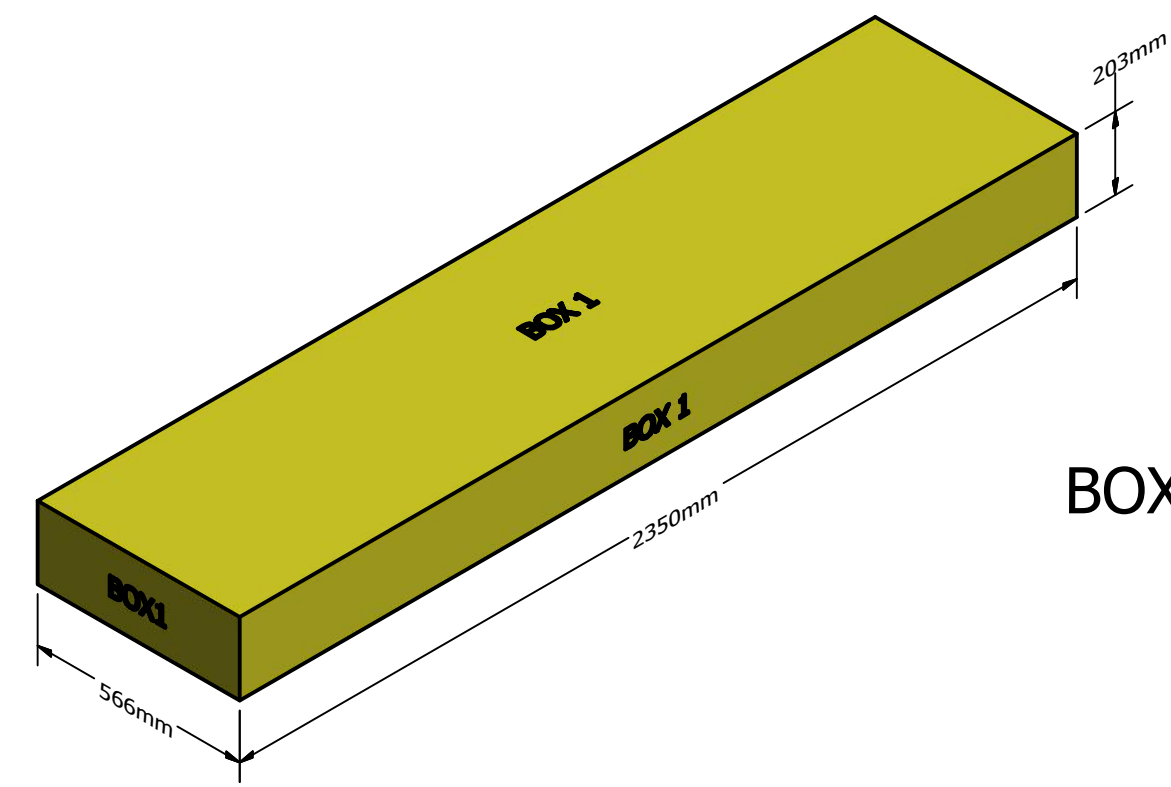
DRAWN Rudy		TITLE		
CHECKED				
QA				
MFG				
APPROVED		SIZE D	DWG NO	REV
		SCALE 1 / 20	SHEET 1 OF 1	

Pallet A (2 sets/pallet)

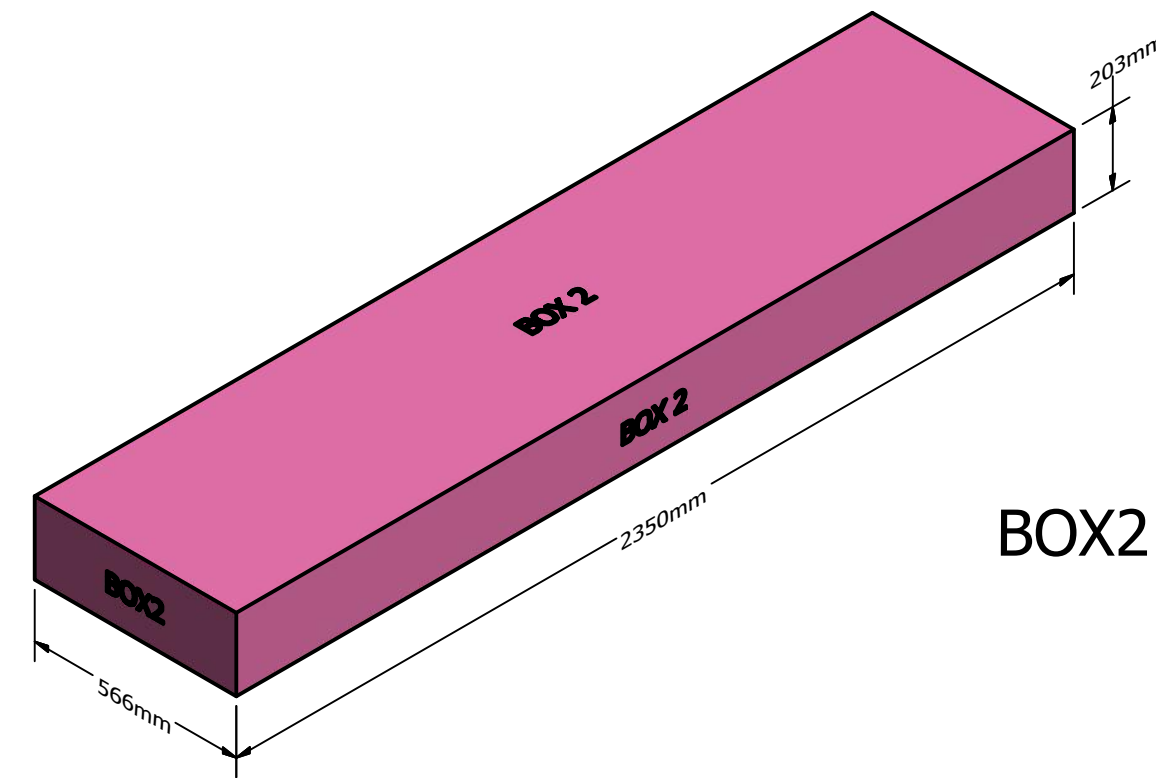


由于这款的BOX4盒子较短，为了保证这个盒子的端头和托盘接触位置能受力，这款产品用的托盘端头的横板宽度必须要达到150mm.

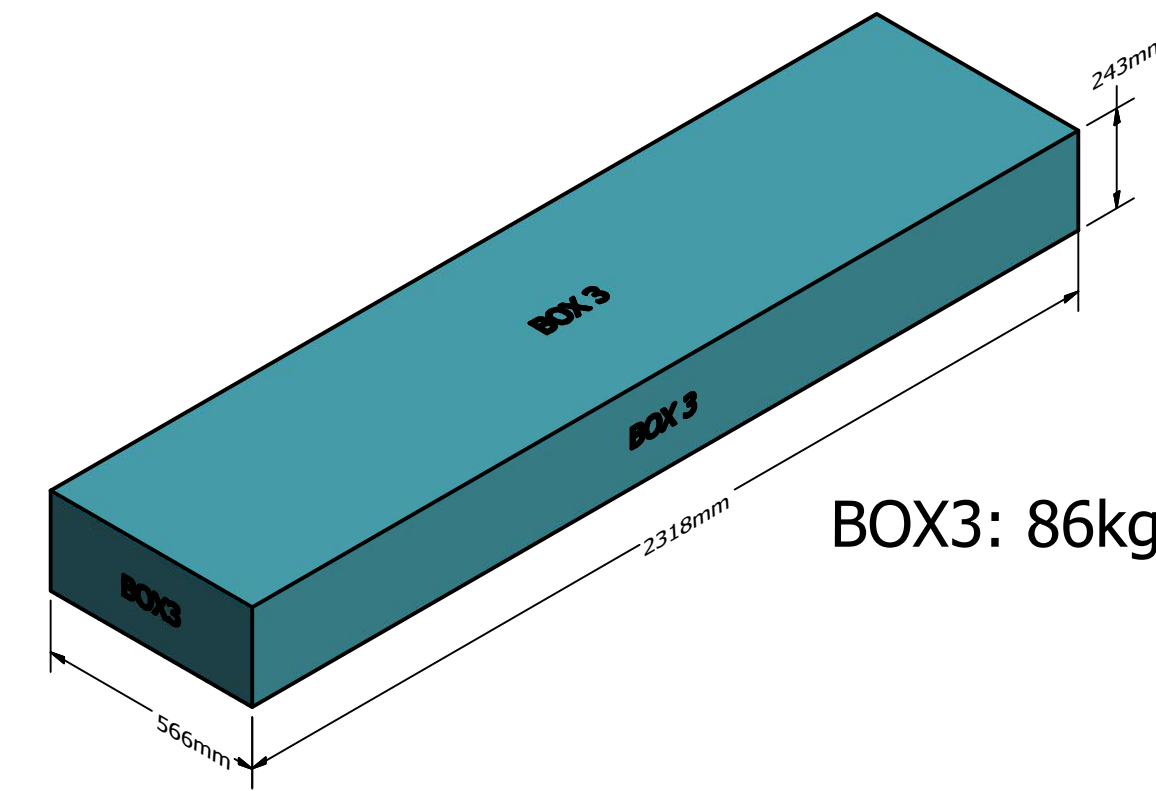
DRAWN Rudy		TITLE		
CHECKED				
QA				
MFG				
APPROVED		SIZE D	DWG NO Pallet A	REV
		SCALE 1 : 8	SHEET 1 OF 1	



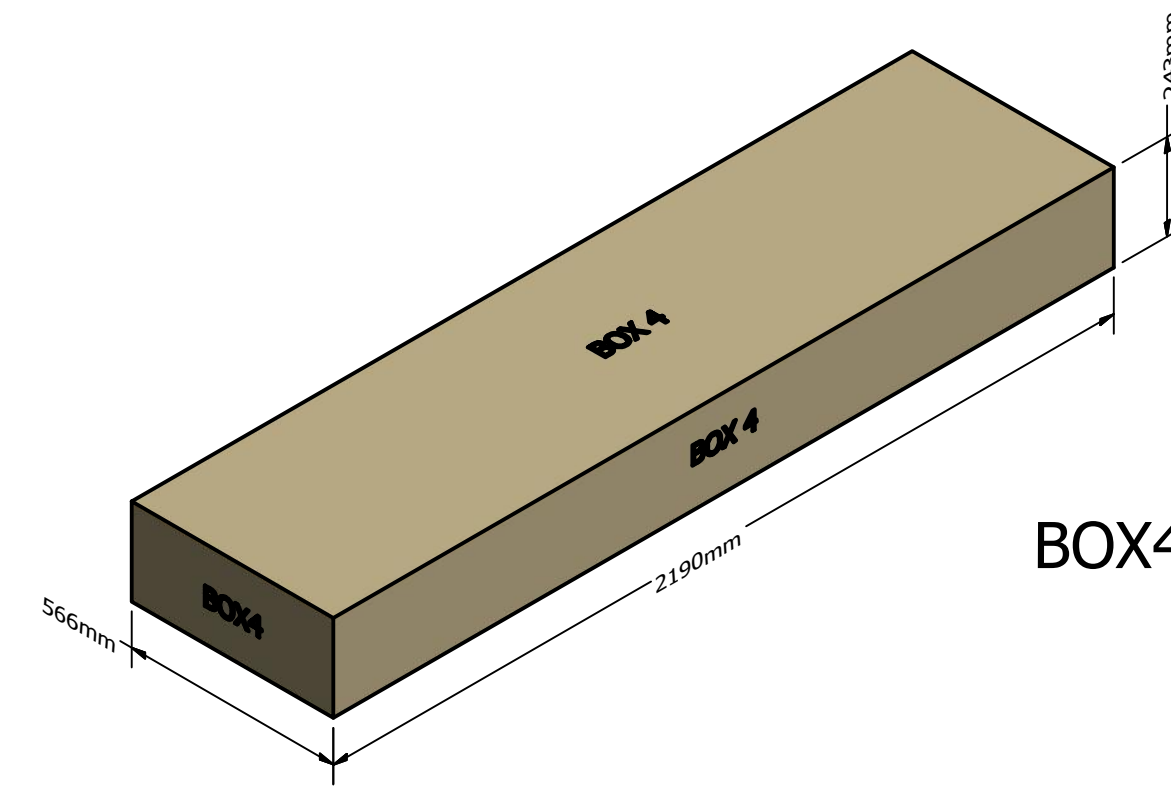
BOX1: 97kg



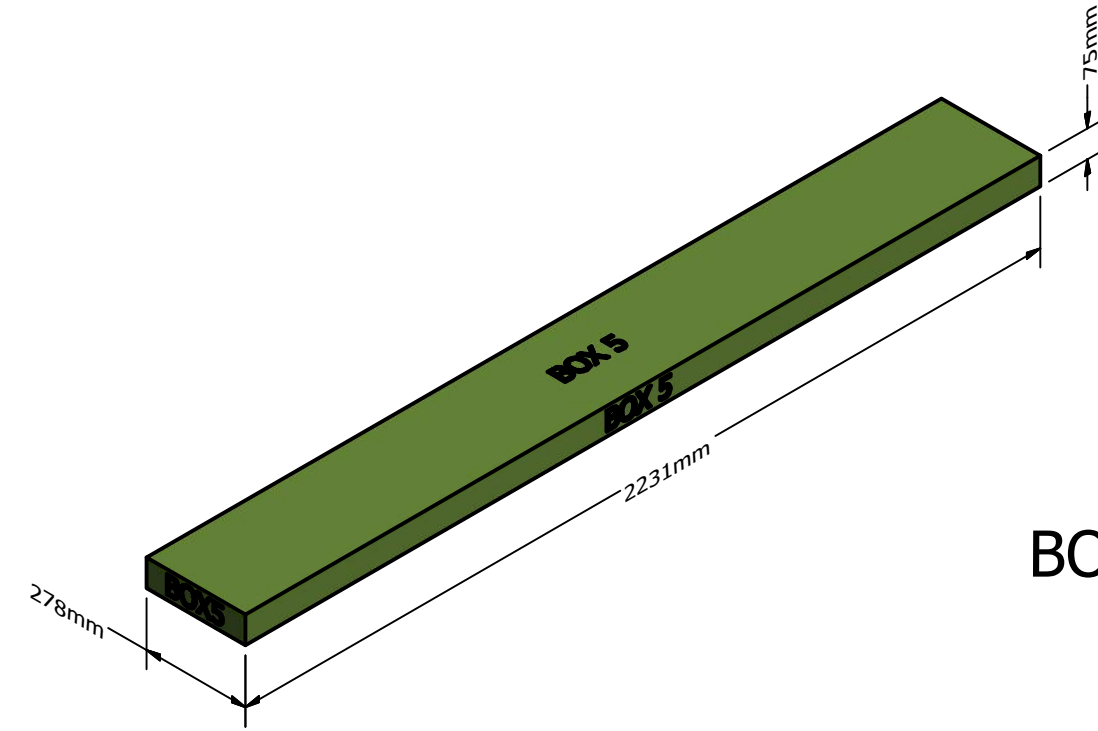
BOX2: 85kg



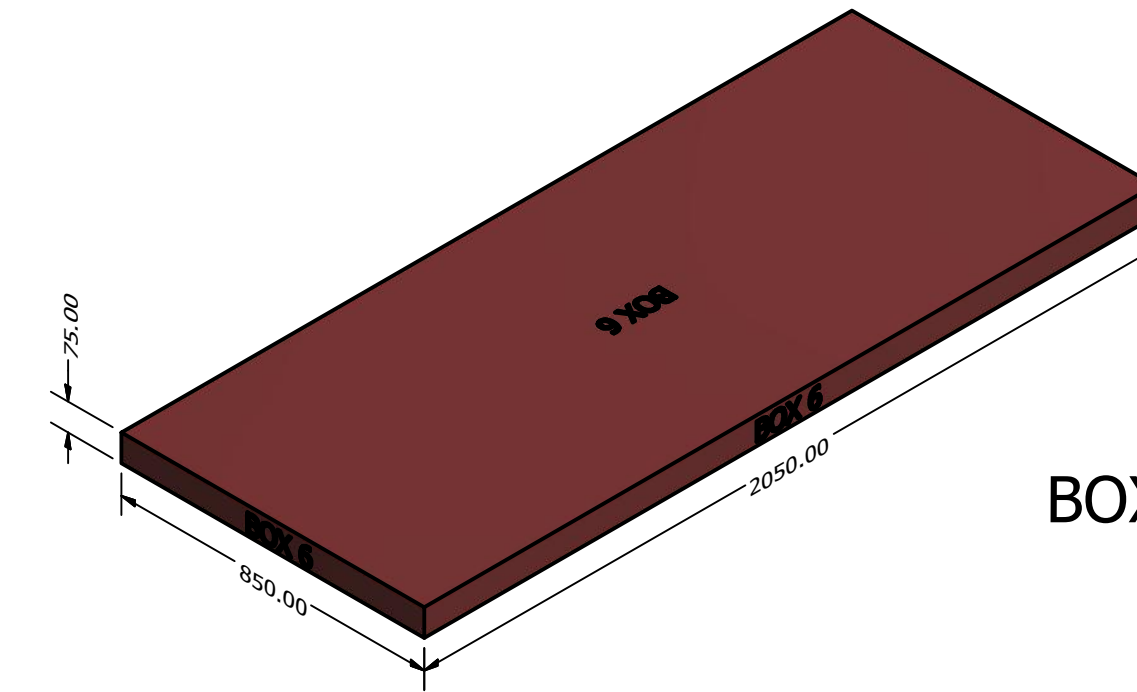
BOX3: 86kg



BOX4: 83kg



BOX5: 18kg



BOX6: 104kg

DRAWN Rudy	2019/8/19		
CHECKED		TITLE	
QA			
MFG			
APPROVED			
		SIZE D	DWG NO Pallet A (详细)
		SCALE 1 / 15	REV SHEET 1 OF 1