

DS-2XS2T47G0-LDH/4G/C18S40 4 MP ColorVu Solar Powered Security Camera Setup



- High Quality Imaging with 4 MP Resolution
- 40 W Solar Panel and 180 Wh Built-in Rechargeable Battery
- 24/7 Color Imaging
- Efficient H.265+ Compression Technology
- Real-Time Security via Built-in Two-Way Audio
- Water and Dust Resistant (IP67)
- Stability Against Category 12 Typhoon
- Built-in 4G (LTE-FDD/WCDMA) Module
- 120 dB True WDR Technology
- 4.5 Days Battery Life on Continuous Recording
- Built-in Heater Can Warm Battery Below 0° C to Continue Charging

Hikvision's DS-2XS2T47G0-LDH/4G/C18S40 4 MP ColorVu Solar Powered Security Camera Setup features standalone functionality with a solar panel and built-in battery. ColorVu technology provides full-time 4 MP color images. Two-way audio offers real-time security, and the unit is water and dust resistant (IP67), with stability against a Category 12 typhoon. The camera is ideal to monitor farms, electric power cables, water and river systems, oil pipelines, key forest areas, and other remote locations where supplying power might be difficult.

It also can be used in temporary monitoring applications such as large-scale competitions, sudden public activity, temporary traffic control, and city construction.

Available Model

DS-2XS2T47G0-LDH/4G/C18S40



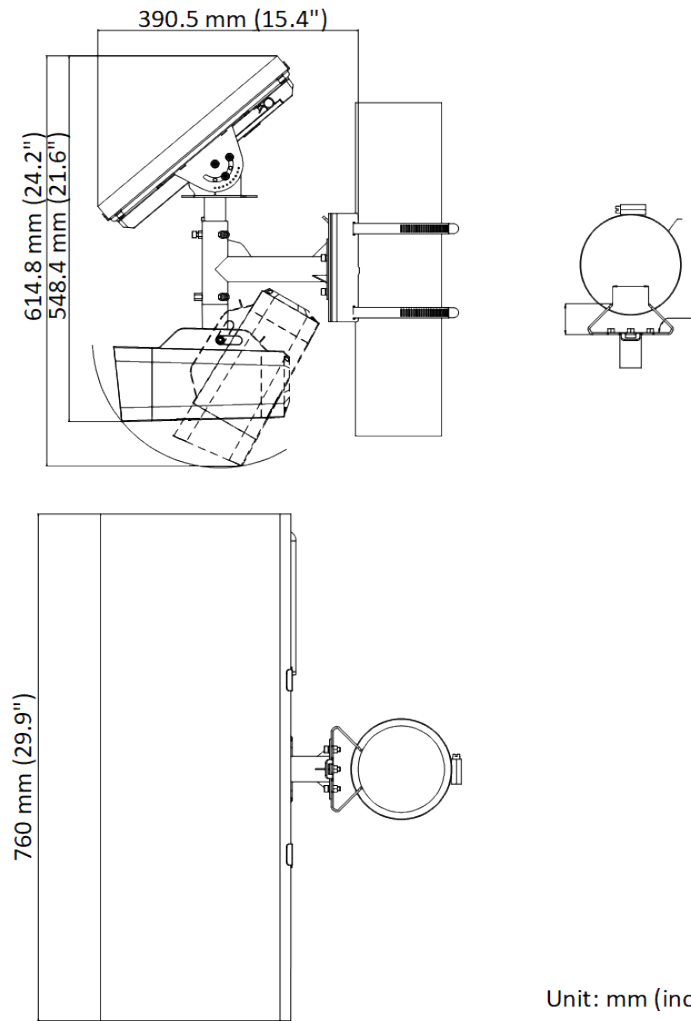
Specifications

| DS-2XS2T4760-LDH/4G/C18S40 | |
|-----------------------------|--|
| Camera | |
| Image Sensor | 1/1.8" progressive scan CMOS |
| Maximum Resolution | 4 MP (2688 x 1520) |
| Minimum Illumination | Color: 0.0005 lux @ (f/1.0, AGC on), B/W: 0 lux @ (f/1.0, AGC on) with white light |
| Shutter Speed | 1/3 s to 1/100,000 s |
| Angle Adjustment | Solar Cover: Pan: 0° to 358°, tilt: -40° to 40° Camera: Pan: 0° to 360°, tilt: -60° to 0° |
| Lens | |
| Lens Type | 4 mm fixed focal lens |
| Aperture | f/1.0 |
| Focal Length and FOV | 4 mm, horizontal FOV 95°, vertical FOV 51°, diagonal FOV 115° |
| Lens Mount | M16 |
| DORI | |
| DORI | 4 mm, D: 77 m, O: 30 m, R: 15 m, I: 8 m |
| Illuminator | |
| Supplement Light Type | White light |
| Supplement Light Range | Performance mode: up to 98 ft (30 m) Proactive mode: up to 33 ft (10 m) |
| Smart Supplement Light | Yes |
| Video | |
| Main Stream | 50 Hz: 12.5 fps (2688 × 1520, 1920 × 1080, 1280 × 720) 60 Hz: 15 fps (2688 × 1520, 1920 × 1080, 1280 × 720) |
| Sub-Stream | 50 Hz: 12.5 fps (640 × 480, 640 × 360) 60 Hz: 15 fps (640 × 480, 640 × 360) |
| Video Compression | Main stream: H.265/ H.264 Sub-stream: H.265/H.264/MJPEG H.264+: Performance mode: main stream supports H.265+: Performance mode: main stream supports |
| Video Bit Rate | 32 Kbps to 8 Mbps |
| H.264 Type | Baseline Profile/Main Profile/High Profile |
| H.265 Type | Main Profile |
| Bit Rate Control | CBR/VBR |
| Region of Interest (ROI) | 1 fixed region for main stream |
| Scalable Video Coding (SVC) | H.265 and H.264 support |
| Audio | |
| Audio Sampling Rate | 8 kHz/16 kHz/32 kHz/44.1 kHz/48 kHz |
| Environment Noise Filtering | Yes |
| Audio Compression | G.711/G.722.1/G.726/MP2L2/PCM/AAC/MP3 |
| Audio Bit Rate | 64 Kbps (G.711ulaw/G.711alaw)/16 Kbps (G.722.1)/16 Kbps (G.726)/32 to 192 Kbps (MP2L2)/8 to 320 Kbps (MP3)/16 to 64 Kbps (AAC) |
| Network | |
| Security | Password protection, complicated password, HTTPS encryption, IP address filter, security audit log, basic and digest authentication for HTTP/HTTPS, TLS 1.1/1.2, WSSE and digest authentication for Open Network Video Interface |
| Simultaneous Live View | Up to 6 channels |
| API | Open Network Video Interface, ISAPI, SDK, ISUP |
| Protocols | TCP/IP, ICMP, HTTP, FTP, DHCP, DNS, DDNS, RTP, RTSP, RTCP, NTP, UPnP, SMTP, IGMP, QoS, IPv6, UDP, Bonjour, SSL/TLS, SNMP, HTTPS, 802.1x |
| User/Host | Up to 32 users. 3 user levels: administrator, operator, and user |
| Network Storage | Auto network replenishment (ANR) |
| Client | iVMS-4200, Hik-Connect, HikCentral Proactive mode: Hik-Connect |
| Web Browser | Plug-in required live view: IE 10+ Plug-in free live view: Chrome 57.0+, Firefox 52.0+ Local service: Chrome 57.0+, Firefox 52.0+ |
| Mobile Communication | |
| Frequency | LTE-FDD: Band 2/4/5/12/13/17/66/71; WCDMA: Band 2/4/5 |
| Standard | LTE-FDD/WCDMA |

Specifications (continued)

| DS-2XS2T4760-LDH/4G/C18S40 | |
|----------------------------------|--|
| Image | |
| SNR | ≥52 dB |
| Wide Dynamic Range (WDR) | 120 dB |
| Day/Night Switch | Day, Night, Auto, Schedule |
| Image Enhancement | BLC, HLC, 3D DNR |
| Image Settings | Rotate mode, saturation, brightness, contrast, sharpness, gain, white balance adjustable by client software or Web browser |
| PIR | |
| PIR Angle | Horizontal: 100°, vertical: 80° |
| PIR Range | Up to 49 ft 2 in (15 m) |
| Interface | |
| Ethernet Interface | 1 RJ-45 10 M/100 M self-adaptive Ethernet port |
| On-Board Storage | Built-in memory card slot, supports microSD/SDHC/SDXC card, up to 256 GB Built-in 64 GB eMMC storage (50 GB available for recording) |
| Built-in Microphone | Yes |
| Built-in Speaker | Yes |
| Reset Key | Yes |
| Event | |
| Basic Event | Motion detection, video tampering alarm, exception, PIR |
| Linkage | Upload to memory card, notify surveillance center, audible warning, trigger recording, trigger capture, send e-mail |
| General | |
| Power Consumption and Current | Typical power scenarios: 1.85 W (4 G working) Standby scenarios: 40 mW Maximum power consumption: 7.2 W |
| Power Supply | 12 VDC ±25% *For debugging only; 40 W (deviation: ±2 W) solar panels |
| Power Interface | Power supply interface: Ø5.5 mm coaxial power plug Extended solar panel: four-core aviation connector |
| Storage Conditions | -20° to 50° C (-4° to 122° F), humidity 95% or less (non-condensing) |
| General Functions | Heartbeat, mirror, privacy mask, flash log, password reset via e-mail, pixel counter |
| Startup and Operating Conditions | -20° to 50° C (-4° to 122° F), humidity 95% or less (non-condensing) |
| Dimensions | 614.8 mm × 390.5 mm × 760 mm (24.2" × 15.4" × 29.9") |
| Package Dimension | 837 mm × 267 mm × 445 mm (33" × 10.5" × 17.5") |
| Weight | Pre-install plate: approximately 1080 g (2.4 lb) Bullet camera + bracket + solar panel: approximately 8540 g (18.8 lb) |
| With Package Weight | Approximately 11860 g (26.1 lb) |
| Battery | |
| Battery Type | Ternary lithium |
| Capacity | 23.2 Ah |
| Max. Charging Voltage | 8.4 V |
| Operating Temperature | Charge: 0° to 45° C (32° to 113° F); Charging Condition: 0° to 45° C (32° to 113° F) (deviation: ±5° C) Discharge: -20° to 60° C (-4° to 140° F). Discharging Condition: -20° to 60° C (-4° to 140° F) (deviation: ±5° C) |
| Battery Voltage | 5.5 V to 8.4 V |
| Cycle Lifetime | Performance mode: 2.5 day; Proactive mode: 4.5 day; Standby mode: 24 days |
| Battery Life | More than 500 cycles |
| Approvals | |
| RF | FCC ID (FCC Part 15.247(BT or 2.4G)); CE-RED (EN 301489-1 V2.1.1 (BT or 2.4G); EN 301489-17 V3.1.1 (BT or 2.4G); EN 300328 V2.1.1 (BT or 2.4G); EN 62311:2008 (BT or 2.4G)) |
| EMC | FCC SDoC (47 CFR Part 15, Subpart B); CE-EMC (EN 55032: 2015, EN 61000-3-2:2019, EN 61000-3-3:2013+A1:2019, EN 50130-4: 2011 +A1: 2014); RCM (AS/NZS CISPR 32: 2015) |
| Safety | CB (IEC 62368-1:2014+A11); CE-LVD (EN 62368-1:2014/A11:2017); LOA (IEC/EN 60950-1) |
| Environment | CE-RoHS (2011/65/EU); WEEE (2012/19/EU); Reach (Regulation (EC) No 1907/2006) |
| Protection | IP67 (IEC 60529-2013) |

Dimensions



Unit: mm (inch)