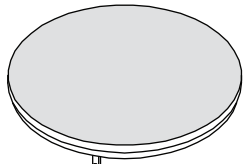
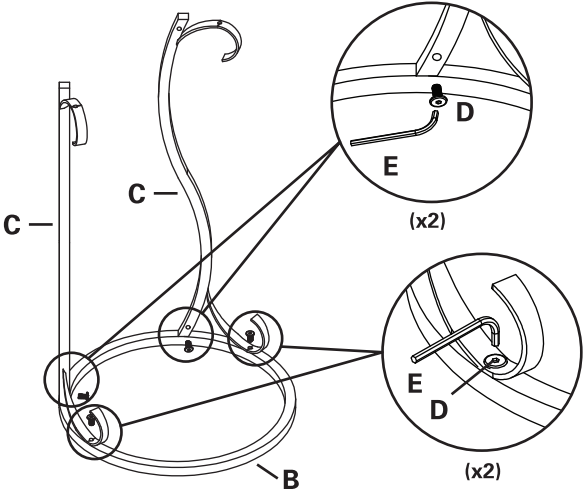
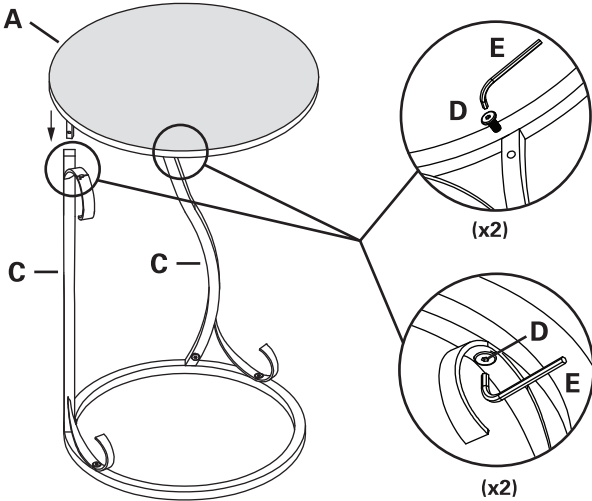
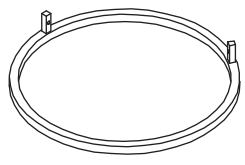
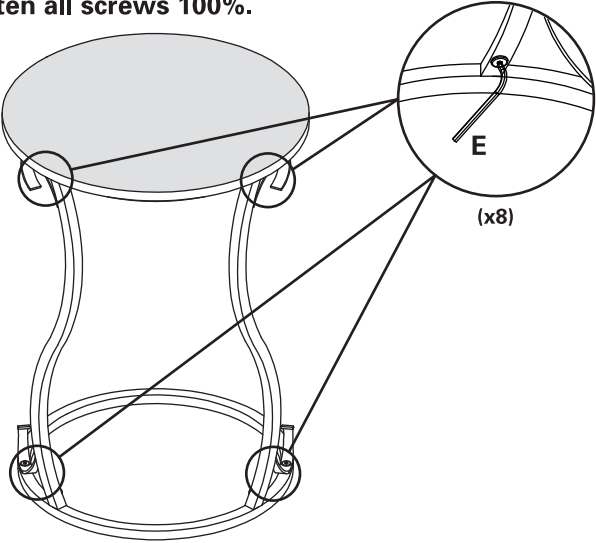
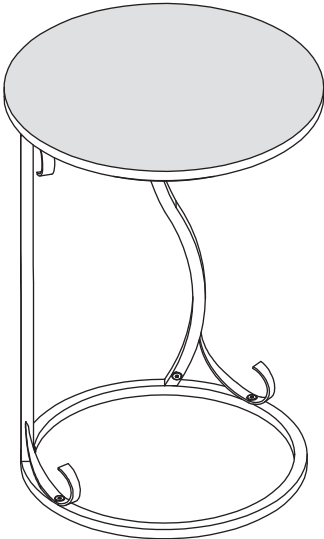

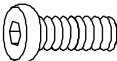



# KAI CARVED C-TABLE

## ASSEMBLY INSTRUCTIONS

FIRSTIME & CO.<sup>®</sup>  
— HOME FURNISHINGS —

PARTS	STEP 1	STEP 2
<p><b>A</b></p>  <p>1 PC</p>	<p><b>STEP 1</b> Attach legs (Cx2) to the base (B). Tighten screws 75%.</p> 	<p><b>STEP 2</b> Attach top (A) to legs (Cx2). Tighten screws 75%.</p> 
<p><b>B</b></p>  <p>1 PC</p>	<p><b>STEP 3</b> Tighten all screws 100%.</p> 	<p><b>FULLY ASSEMBLED</b></p> 
<p><b>C</b></p>  <p>2 PC</p>		
<p><b>D</b></p>  <p>8 PC</p>		
<p><b>E</b></p>  <p>1 PC</p>		

NOTE: 25 LB. WEIGHT LIMIT. FEET ON BOTTOM (B) ARE ADJUSTABLE FOR LEVELING.