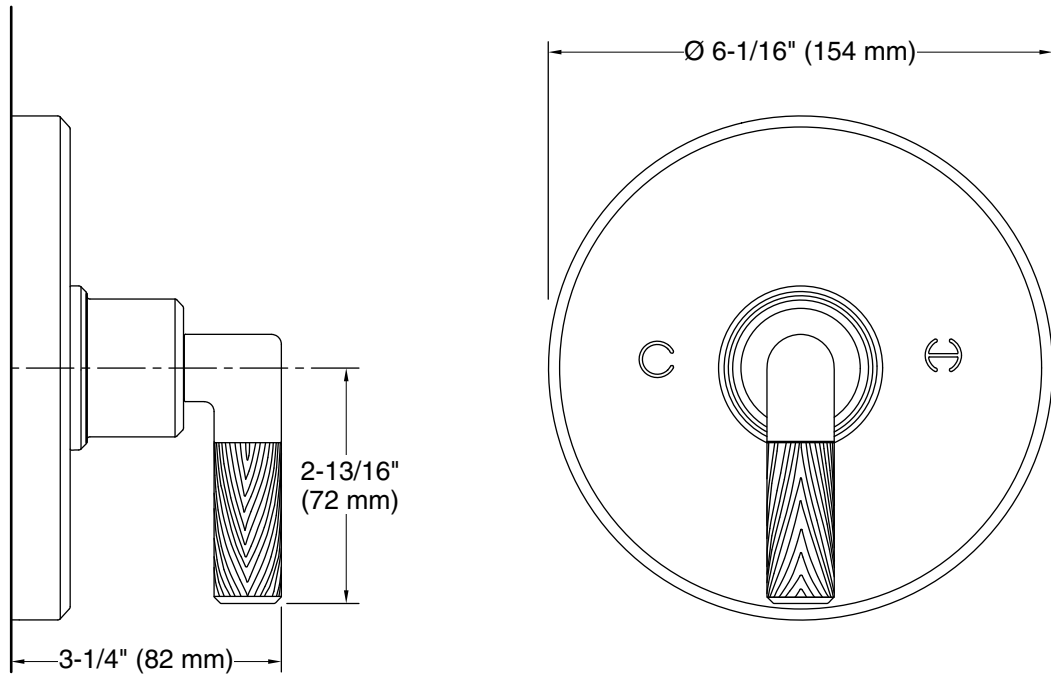


KALLISTA®

Pinna Paletta® by Laura Kirar
Thermostatic Shower Trim, Lever Handle
P24922-ULB



Technical Information

All product dimensions are nominal.

Notes

ADA, OBC, CSA B651 compliant when installed to the specific requirements of these regulations.