

# Installation Instructions

## Pendant

Record your model number:

Noter le numéro de modèle:

Anote su número de modelo: \_\_\_\_\_

Français, page 10

Español, página 18

**KOHLER**<sup>®</sup>

# Thank You for Choosing KOHLER

---

Need help? Contact our Customer Care Center.

- USA/Canada: 1-800-4KOHLER (1-800-456-4537) Mexico: 001-800-456-4537
- Service parts: [kohler.com/serviceparts](http://kohler.com/serviceparts)
- Care and cleaning: [kohler.com/clean](http://kohler.com/clean)
- Patents: [kohlercompany.com/patents](http://kohlercompany.com/patents)

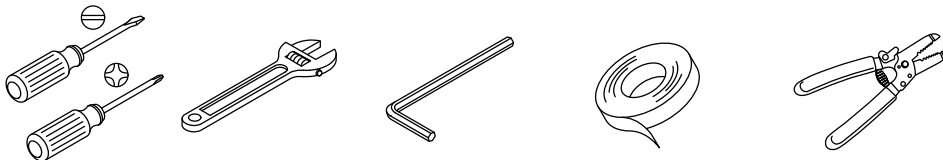
## Warranty

---

This product is covered under the KOHLER® Indoor Lighting Fixtures Limited Warranty, found at [kohler.com/warranty](http://kohler.com/warranty). For a hardcopy of warranty terms, contact the Customer Care Center.

## Tools and Materials

---




M2 Hex Wrench Electrical Tape Wire Cutter/Stripper


Plus:


- T14 bulbs (Max 60 W)

## Before You Begin

---

 **DANGER: Risk of electric shock.** To avoid electrical shock, the electricity must be turned OFF at the circuit breaker or fuse box before beginning installation.

 **DANGER: Risk of electric shock.** To avoid electrical shock, the electrical outlet box must be properly grounded.

 **CAUTION: Risk of property damage.** To avoid risk of fire, this fixture has been rated for bulbs up to 60 W. Do not exceed this rating.

**IMPORTANT!** Do not exceed recommended wattage. Rated Max 60 W, Type G. Bulb(s) not included.

Follow all local plumbing, building, and electrical codes.

Please read all instructions before you begin.

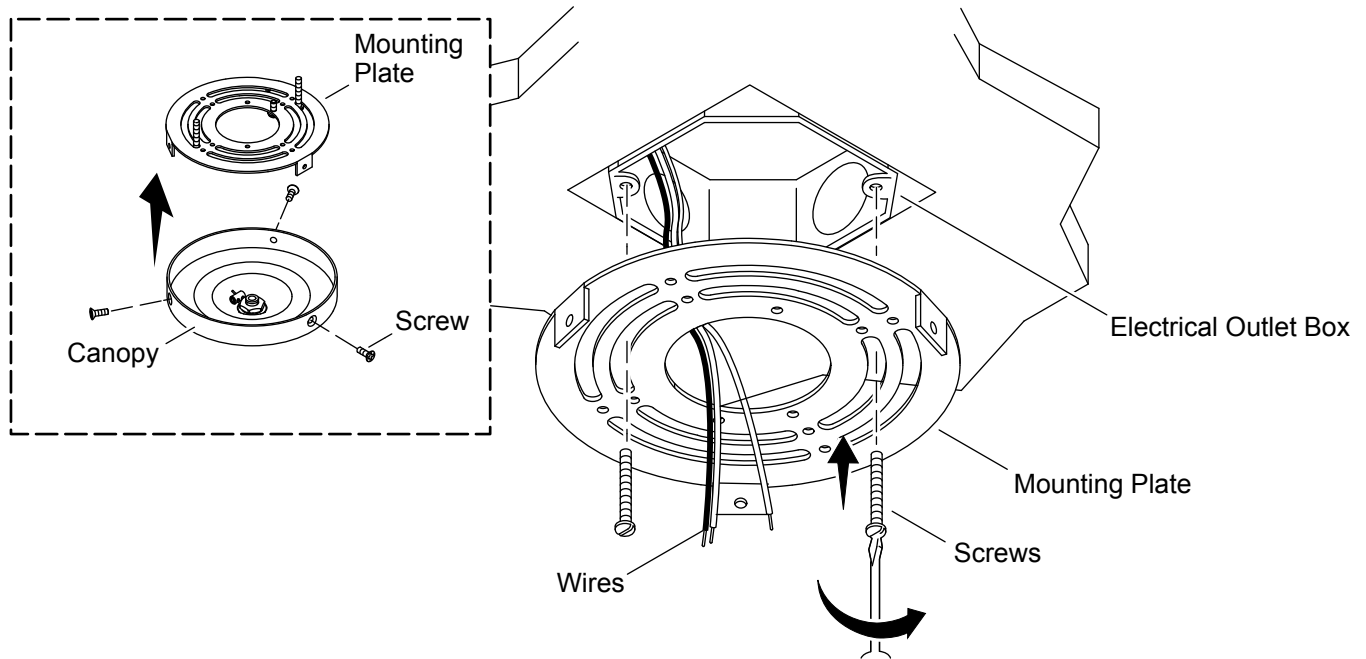
The fixture should be installed by a qualified electrician.

This fixture is for indoor use only.

Carefully inspect the fixture for damage.

## 1. Install the Mounting Plate

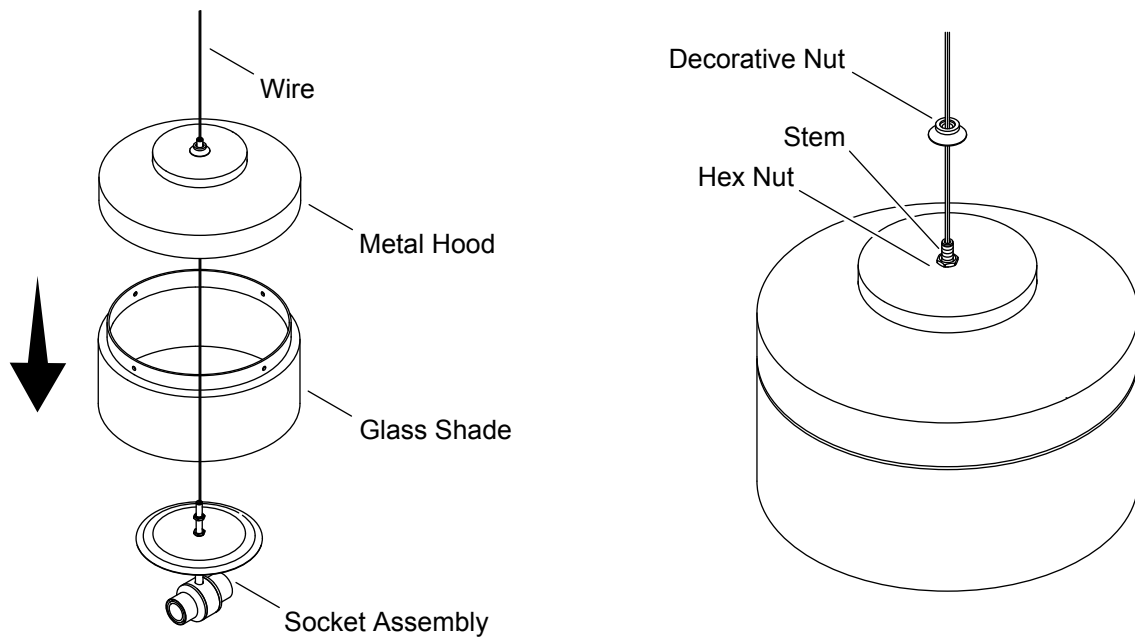
---



- Remove the mounting plate from the canopy.
- Carefully pull out the wiring from the electrical outlet box and allow the wires to hang down.
- Place the flat side of the mounting plate flat against the electrical outlet box.
- Align the mounting holes on the mounting plate with the holes on the electrical outlet box.
- Securely tighten the mounting plate to the electrical outlet box with the mounting screws.

## 2. Assemble the Shade and Hood

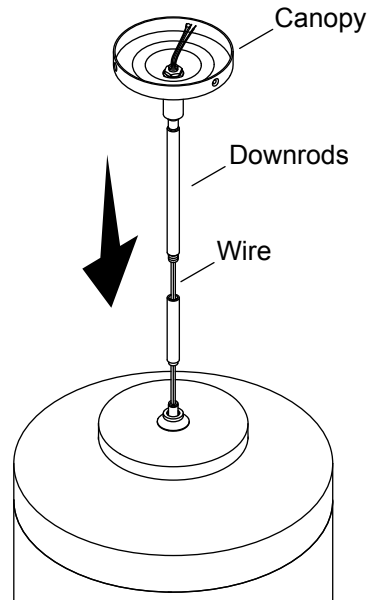
---



- Position the metal hood over the glass shade.
- Insert the electrical wires and ground wire through the bottom of the shade and the metal hood.
- Pull the electrical wires and ground wire all the way through the metal hood until the stem of the socket assembly is sticking out of the metal hood.
- Tighten the hex nut and the decorative nut onto the stem of the socket assembly.

### 3. Connect the Downrods

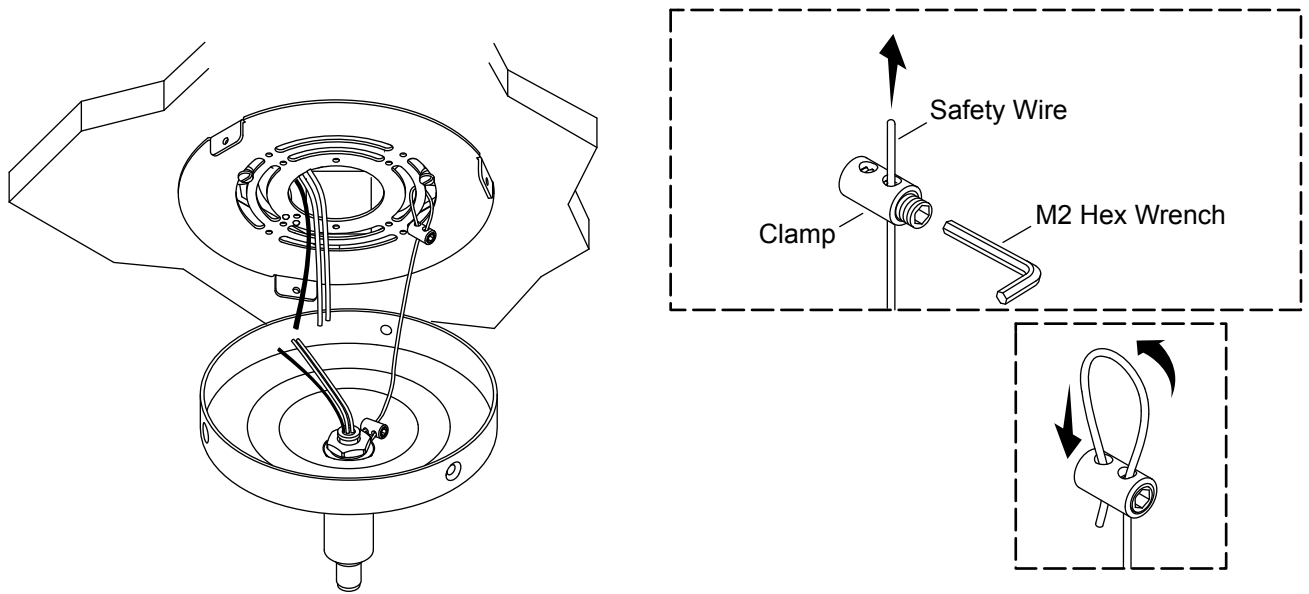
---



- Determine the height that you want the fixture to be located. Select a combination of different length downrods that will place the fixture at the desired height.
- Insert the electrical wires and ground wire through each of the downrods and then thread the downrods together.
- Thread one end of the downrods to the stem of the socket assembly.
- Insert the electrical wires and ground wire through the canopy and then thread the canopy onto the end of the downrods.

## 4. Connect the Safety Wire

---

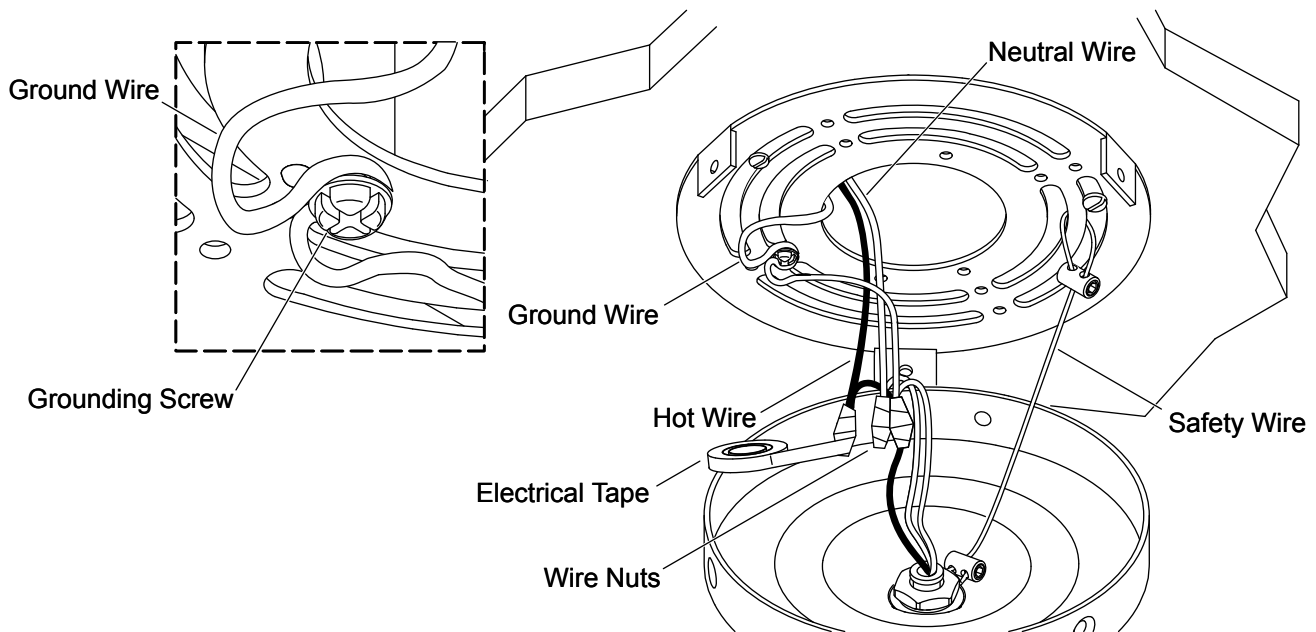


**NOTE:** Fixture is heavy and requires two people to lift the fixture.

- Lift the fixture and attach the safety wire to the mounting plate.
- Loop the safety wire around the mounting plate.
- Insert the end of the safety wire into the clamp and tighten the clamp using an M2 hex wrench.

## 5. Connect the Electrical Wires

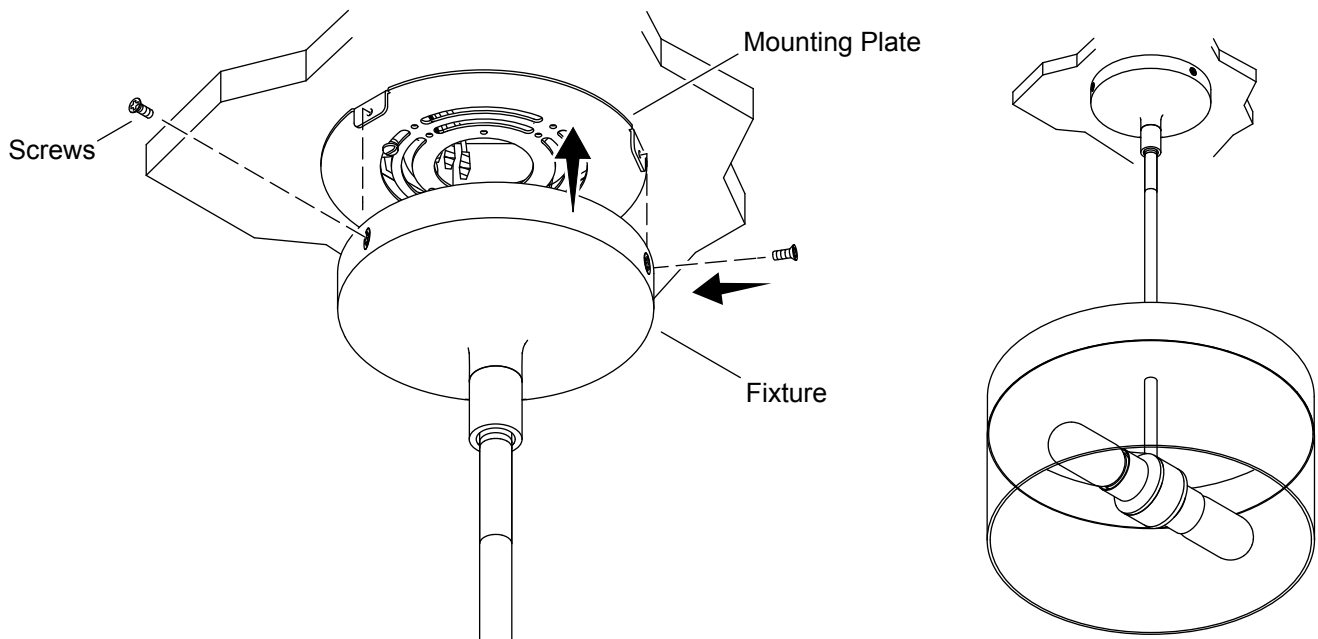
---



- Make a loop in the ground wire and wrap around the grounding screw on the mounting plate. Tighten the grounding screw.
- Attach the ground wire (bare copper) from the fixture to the ground wire (usually bare copper or green) in the electrical outlet box.
- Fasten the ground wires together with the provided wire nut and wrap the wire nut with electrical tape.
- Attach the neutral wire (with the grooves) from the fixture to the neutral wire (usually white) in the electrical outlet box.
- Fasten the neutral wires together with the provided wire nut and wrap the wire nut with electrical tape.
- Attach the hot wire (with the writing) from the fixture to the hot wire (usually black) in the electrical outlet box.
- Fasten the hot wires together with the provided wire nut and wrap the wire nut with electrical tape.

## 6. Secure the Fixture

---



- Verify that all plastic wire nuts are securely fastened and strands of bare wire are not exposed.
- Carefully position the wires inside the electrical outlet box behind the mounting plate.
- Lift and position the fixture over the mounting plate.
- Align the screw holes and secure the fixture to the mounting plate with the provided screws.
- Insert the bulb(s) into the socket(s).
- Turn ON the main electrical supply from the main fuse or circuit breaker.
- Check for proper operation.