

SONANCE

PROFESSIONAL SERIES PSC85RTBF | PS-C85BB TILE BRIDGE QUICKSTART GUIDE

FOR USE WITH PS-C85RTBF AND PS-C85BB BAFFLE AND BACK BOX.

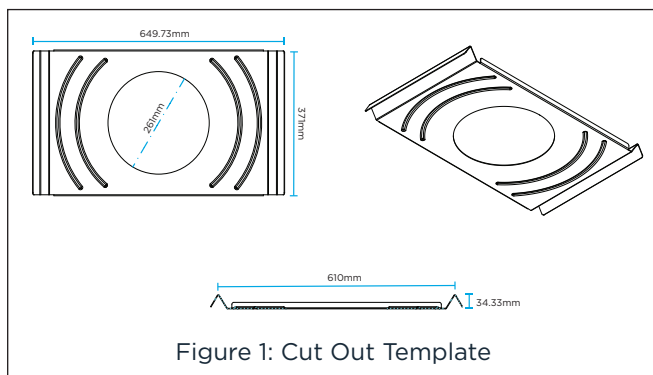
The PS-C85BB Tile Bridge accessory helps secure an in-ceiling speaker in a suspended ceiling, providing structural support to the acoustic ceiling tile itself. It distributes the speaker's weight to the grid or other support structures, preventing the tile from sagging or being damaged and ensuring a professional, clean installation.

BOX CONTENTS

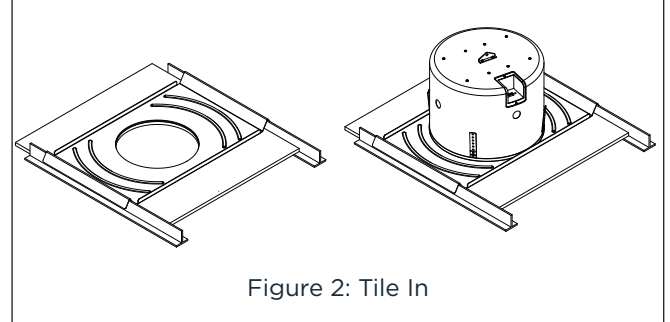
(6) Tile Bridges

INSTALLATION

1. Using the cut-out template, cut a hole in the center of the ceiling tile.



2. Place the PS-C85BB tile bridge over the hole with the flanges over the T-grid.



NOTE: the tile bridge itself is not sufficient to carry the load of the product. It is used to prevent tile sag. Additional support is required by using seismic tethers to structure in accordance with local building codes.

3. Continue the installation of the PS-C85RTBF in accordance with the user manual.