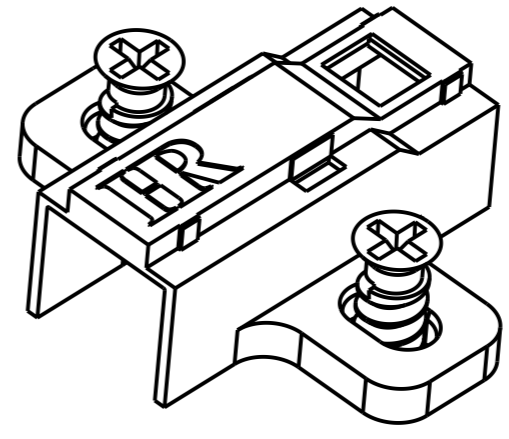
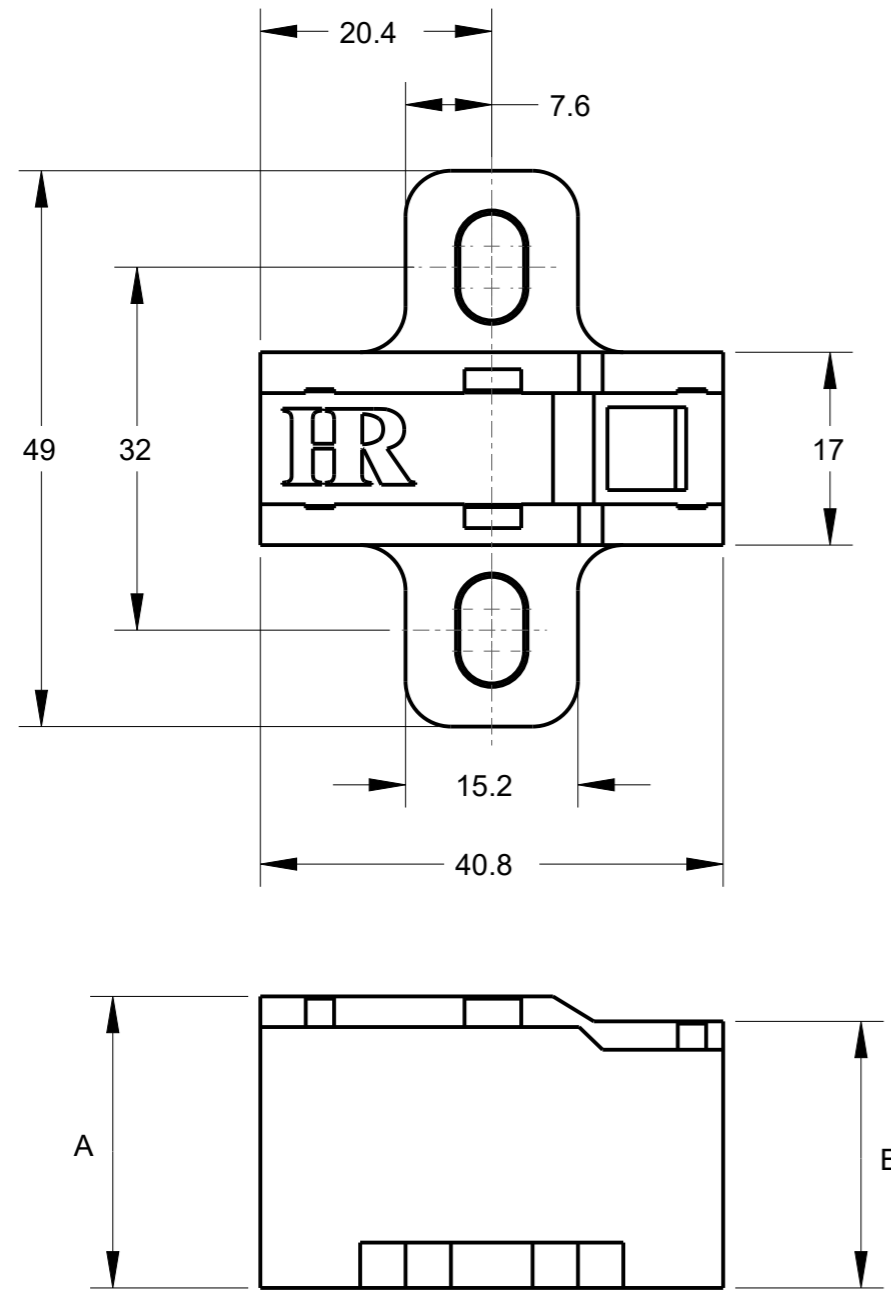


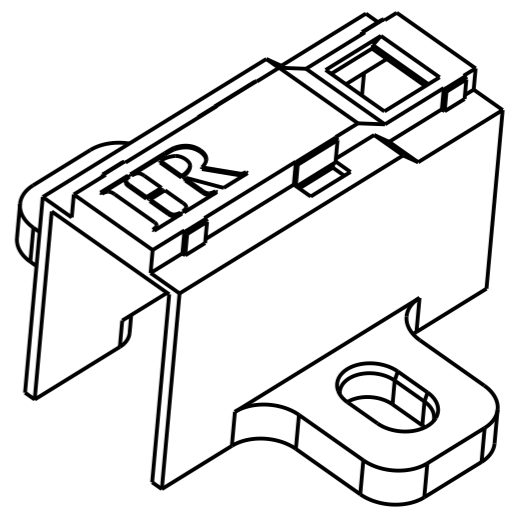
8 7 6 5 4 3 2 1

F
E
D
C
B

F
E
D
C
B



400.0P29.75 SHOWN



400.0P18.05 SHOWN

| HR ITEM NUMBER | PRODUCT DESCRIPTION | A | B | SCREWS |
|----------------|--|------|------|-------------------------|
| 400.0P29.75 | PLATE, ZINC, NON-CAM ADJ, 9mm W/ EURO SCREWS | 16.7 | 14.5 | 6.3mm X 15mm EURO SCREW |
| 400.0P18.05 | PLATE, ZINC, NON-CAM ADJ, 18mm W/O EURO SCREWS | 25.7 | 23.5 | - |



HARDWARE RESOURCES RESERVES THE RIGHT TO CHANGE SPECIFICATIONS WITHOUT NOTICE. IN CASE OF A DISCREPANCY, ACTUAL PART GEOMETRY SUPERSEDES THIS DOCUMENT.

THE INFORMATION CONTAINED WITHIN THIS DRAWING IS THE SOLE PROPERTY OF HARDWARE RESOURCES INC. ANY REPRODUCTION IN PART OR WHOLE WITHOUT WRITTEN PERMISSION OF HARDWARE RESOURCES INC. IS PROHIBITED.

| | |
|---|-------------------|
| DOCUMENT STATUS Released | |
| UNLESS OTHERWISE SPECIFIED DIMENSIONS ARE IN MILLIMETERS (MM) | |
| MATERIAL ZINC | FINISH NICKEL |
| THIRD ANGLE PROJECTION | DATE 06DEC2023 |

| | | |
|---|----------------|-----------------|
| DESCRIPTION PLATE, 400, ZINC, HEAVY-DUTY, ZINC | | |
| DRAWING NUMBER 400-0P29_0P18 | | REV A |
| SIZE A3 | SCALE 1.500 | SHEET 1 / 1 |

8 7 6 5 4 3 2 1

A

A