

# gorilla

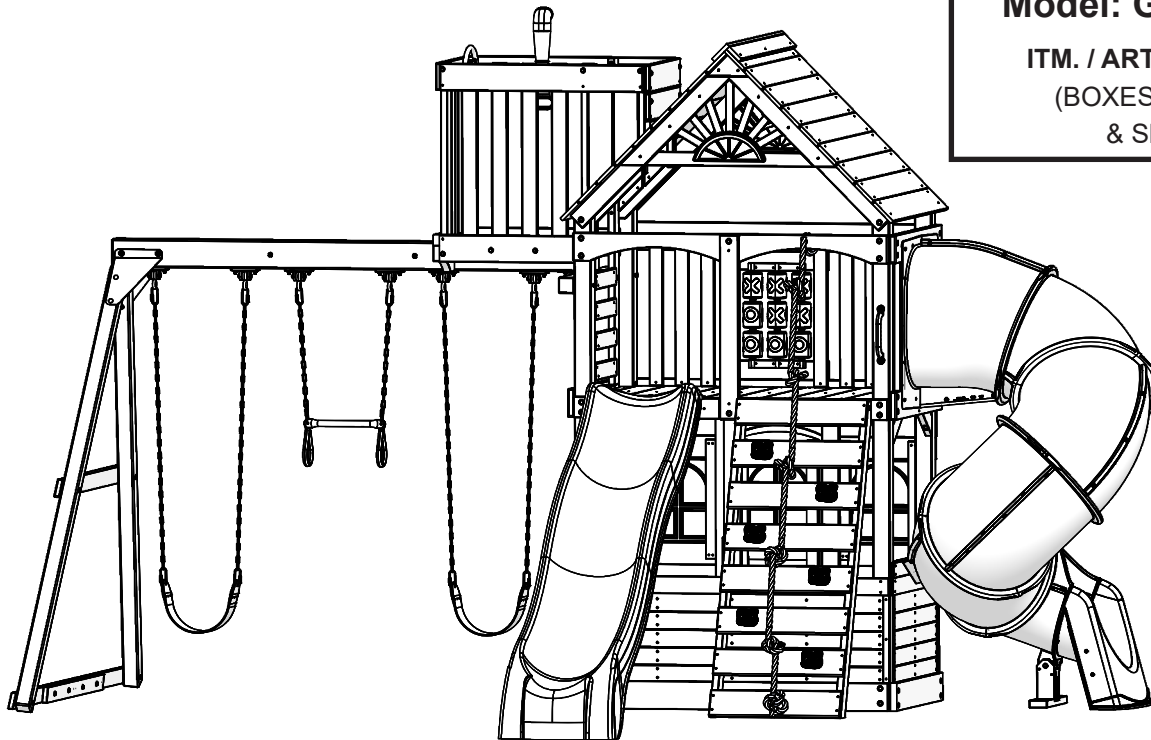
playsets



**Model: GM52004**

**ITM. / ART. 1816507**

(BOXES: 1, 2, 3  
& Slide)



## Alpine Adventure Outdoor Playset

IMPORTANT, RETAIN FOR FUTURE REFERENCE: READ CAREFULLY



10-14 Hrs



Two Person  
Assembly

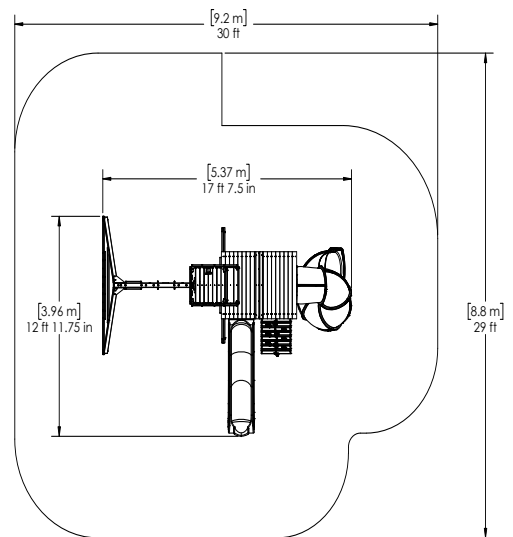
Adult Assembly Required

Copyright © 2023 Gorilla Playsets  
All Rights Reserved

166 Etowah Industrial Court  
Canton, GA 30114

1-800-882-0272

[www.gorillaplaysets.com](http://www.gorillaplaysets.com)



**WARNING** To reduce the risk of serious injury or death, you must read and follow these instructions. Keep and follow these instructions often and give them to any future owner of the play system. Manufacturer contact information provided on this page.

OBSTACLE FREE SAFETY ZONE: 29' 7" x 27' 4-1/4" (9.02m x 8.34m), area requires Protective Surfacing, see page 10

MAXIMUM VERTICAL FALL HEIGHT: 7.18' (2.19m)

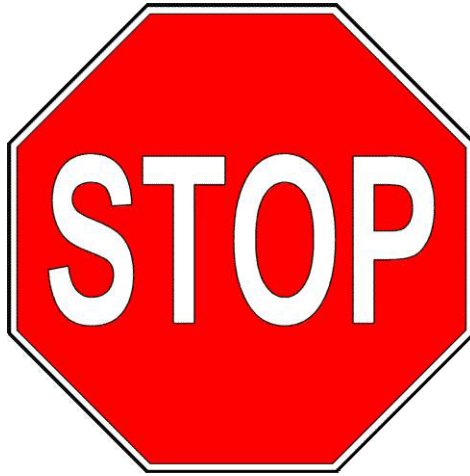
CAPACITY: 10 users Maximum, Ages 3 to 10, Weight Limit 110 lbs (49.9 kg) per child

RESIDENTIAL HOME USE ONLY. Not intended for public areas such as schools, churches, nurseries, day cares or parks.

51-7015

Made in China

Height:  
10' 4" (3.15m)



Please inspect and inventory all parts immediately upon accepting delivery. Use the inventory pages in the manual to make sure you have received all necessary parts. The quickest method to get any parts that are missing or damaged is to use our “Quick Response Center” located at:

**[www.gorillaplaysets.com/customer-care](http://www.gorillaplaysets.com/customer-care)**

DO NOT RETURN THIS PRODUCT TO THE RETAILER OR CONTACT THE RETAILER DIRECTLY. THE RETAILER DOES NOT STOCK COMPONENTS.

PLEASE RETAIN ALL INSTRUCTIONS FOR FUTURE REFERENCE. KEEP THEM IN A SAFE PLACE WHERE YOU CAN REFER TO THEM AS NEEDED. CHECK FOR REVISED INSTRUCTIONS AT:

**[www.gorillaplaysets.com/assembly-manuals](http://www.gorillaplaysets.com/assembly-manuals)**

## GORILLA PLAYSETS WARRANTY – 2023

---

Gorilla Playsets® (“Gorilla”) warrants its play sets to be free from defects in workmanship and materials, under normal use and conditions, for 10 years for above ground structural wood components and for one year for all other components (e.g., swings, hardware, plastics, tarps, rope ladder, etc.).

Gorilla warrants all remaining products, including but not limited to its, Malibu Playhouse, Free Standing Swing Set, Free Standing Tire Swing, See-Saw, Children’s Picnic Table with Umbrella, Play-Zee-Bo™, Cedar Toy Chest, Interlocking Sandbox and spring riders to be free from defects in workmanship and materials, under normal use and conditions, for a period of 1 year.

**Cosmetic imperfections and natural tendencies of wood such as peeling, splintering, warping, seasonal checking or cracking, knots or knot holes, etc. are normal characteristics of all outdoor wooden play equipment and are not covered by this warranty. Checks or cracks in wood components that do not affect the intended function of the part, piece or overall swing set are not covered under this warranty.**

Wood rot or decay that develops because the product was installed in an area with poor drainage is not covered under this warranty. Lumber that has been damaged by wood boring bees, or conditions that develop as a result of faulty or improper installation of the product, are not covered by this warranty. Fading of stain, discoloration or mold on any wood part or accessory is not covered by this warranty. Cracks in plastic components, surface rust on hardware and chips on powder coated materials are not considered defects in material as long as they do not affect the functionality or structural integrity of the part or component.

It is the owner’s responsibility to maintain the swing set. **This includes but is not limited to staining and sealing the lumber as needed and regular inspection to be sure all hardware is tight.** Instructions for proper maintenance can be found on Gorilla’s website. Imperfections or conditions that develop because of a failure to properly maintain the swing set are not covered by this warranty.

Gorilla will, at its discretion, replace any above ground part within the stated warranty period that is defective in workmanship or materials. This decision is subject to verification of the defect, which, at Gorilla’s discretion, may be accomplished by submitting photographs or by delivery of the defective part to Gorilla Playsets • 166 Etowah Industrial Ct. • Canton, GA 30114 • 1-800-882-0272 Monday to Friday 9AM-5PM EST. Any warranty claim must include proof of purchase, including the date of purchase. **In addition, within the first 30 days from the date of purchase, Gorilla will replace any parts discovered to be missing from or damaged in the original packaging.**

This warranty is valid only if the product is used for the purpose for which it was designed and installed at a residential, single-family dwelling. This warranty is void if the product is used in a commercial, institutional or multi-family setting. **This warranty does not cover normal wear and tear or (a) products that have been damaged by acts of God and/or nature, negligence, misuse or accident; (b) products that have been modified or repaired by unauthorized persons; (c) the cost of labor; or (d) the cost of shipping any replacement product or part.**

GORILLA DISCLAIMS ALL OTHER REPRESENTATIONS AND WARRANTIES OF ANY KIND, EXPRESSED, IMPLIED, STATUTORY OR OTHERWISE, INCLUDING THE IMPLIED WARRANTIES OF MERCHANTABILITY AND FITNESS FOR A PARTICULAR PURPOSE. GORILLA WILL NOT BE LIABLE FOR ANY INCIDENTAL OR CONSEQUENTIAL DAMAGES. This warranty is non-transferable and does not extend to the owners of the product subsequent to the original purchaser. Some states do not allow limitations on implied warranties or exclusion of incidental or consequential damages, so these restrictions may not be applicable to you. This warranty gives you specific legal rights. You may also have other rights which vary from state to state.

AUSTRALIA: Our goods come with guarantees that cannot be excluded under the Australian Consumer Law. You are entitled to a replacement or refund for a major failure and for compensation for any other reasonably foreseeable loss or damage. You are also entitled to have the goods repaired or replaced if the goods fail to be of acceptable quality and the failure does not amount to a major failure.

# IMPORTANT SAFETY GUIDELINES

This product is recommended for use by children ages 3-10. This product is intended for residential use only and not intended for use in any public setting. A safety surface such as mulch or recycled tire should be used under the play set to prevent injury from falls. Also a 6 foot safety zone should be used around the entire play set.

As with any home project, good judgment and respect for power tools will greatly reduce the risk of injury. Gorilla recommends you follow all tool manufacturers' safety guidelines. Always wear eye protection and safety gloves to prevent injury. In several phases of construction two people may be required for lifting and securing of lumber. While the play set is being constructed, please keep children off the equipment until the project is complete. Bolts and screw heads should be checked regularly for tightness. The ground Access, rope Access, slide, swings and other areas where children spend a majority of their playtime should be checked more frequently.

Gorilla shall not be liable for incidental, indirect or consequential damages or injuries that result from building and/or playing on our play sets. Adult supervision is recommended anytime a play set is being used.

# WARRANTY REGISTRATION

NAME: \_\_\_\_\_

Gorilla Playsets™ manufactures the finest quality products that are designed for outstanding strength and durability. We back our products with an unparalleled warranty. In the unlikely event that you will need to contact us about covered repairs, we must have a valid Warranty Registration on file.

<b>3 EASY WAYS TO REGISTER</b>	
<b>OPTION 1</b>	Fax this completed form to: <b>(800) 880-3300</b> <b>OR</b> Mail this completed form to: <b>Gorilla Playsets</b> <b>166 Etowah Industrial Court</b> <b>Canton, GA 30114</b>
<b>OPTION 2</b>	Complete the online registration form at: <b><a href="http://www.gorillaplaysets.com/register">http://www.gorillaplaysets.com/register</a></b>
<b>OPTION 3</b>	Scan this QR Code with your smartphone to complete the form using your phone: <div style="text-align: right; margin-top: 10px;">  </div>

## Where did you buy this product?

\_\_\_\_\_

Date of Purchase
Store
Store City
Store State

## Your registration information:

Name: \_\_\_\_\_ Email: \_\_\_\_\_

Address: \_\_\_\_\_

Street
City
State
Zip

Please select your age  18-30  31-40  41-50  51+

How old are your children?  2-3  4-5  6-7  8+

How would you rate the quality of this product?

★★★★★ Excellent

★★★★ Above Average

★★★ Average

★★ Below Average

★ Poor

Would you recommend this product to friends & family?  Yes  No

Comments: \_\_\_\_\_

\_\_\_\_\_

\_\_\_\_\_

\_\_\_\_\_

THIS PAGE INTENTIONALLY LEFT BLANK

## **IMPORTANT – PLEASE READ**

Congratulations! You have just purchase one of the finest residential wooden swing sets available today. As with any wooden product that spends its entire life outside, in varying elements, it is important to know what to expect with your new swing set so that your family can enjoy it for many years.

As your swing set acclimates to its new environment, natural characteristics of the wood can show in the form of checks, or “cracks” in the lumber. In almost all cases this is normal and it will not affect the structural integrity of your play set and is not covered under warranty.

## **KEEPING YOUR PLAYSET LIKE NEW**

### **MUST DO’s**

The following owner responsibilities are crucial to the safety, integrity and aesthetic appeal of your swing set and may affect the warranty if not adhered to.

#### **WITHIN 60 DAYS**

- Check and tighten Hex Bolts/T-nuts, Carriage Bolts/Lock-nuts, and Lag Screws within the first 60 days and then twice annually – once before each season and then once during the season.

#### **WITHIN 90 DAYS**

- Apply a **sealant** or **semi-transparent stain with sealant** within the first 90 days of owning the swing set. Our own Stain/sealant is available online here: <http://www.gorillaplaysets.com/Playground-Sealant-p/10-0003.htm>

Oil based stain or water based stain may be used. Should you choose to use other stain we suggest asking the product covering specialists at any number of specialty paint stores or home improvement centers for a product that would work best for your local environment. \*\* TIP – while the set is new, take a small board from your swing set to the store with you so they can color match the tint of the stain or sealant.

### **SEASONAL REMINDERS**

- If your area experiences regular snowfall, remove your fabric tarp/canopy to avoid stretching, sagging or tearing of the material. Store it inside, folded up, and it will be as good as new when winter is over.
- If your area experiences extremely cold temperatures, remove swing belts and other pliable features to prolong the lifespan of these play activities.

### **OTHER TIPS**

- Spray swing hangers with Pam, Mazola or olive oil to stop squeaking; do not use petroleum based products such as WD-40 or motor oil.
- To repel yellow jackets and wasps, use a cotton ball and dab interior wooden corners underneath the play set deck with a liquid dish soap. Avoid using insecticides.

For additional safety and maintenance guidelines, please visit our website.

## Safety and Maintenance Tips for Your New Play Set:

**NOTE: Your children's safety is our #1 concern. Observing the following statements and warnings reduces the likelihood of serious or fatal injury. Please review these safety rules regularly with your children.**

- This play set is designed for the use of 10 occupants.
- On-site adult supervision is required.
- Teach children not to walk close to, in front of, behind, or between moving swings or other moving playground equipment.
- Teach children to sit in and never stand on swings
- Teach children not to twist the chains and ropes and not to loop them over the swing beam, since this may reduce the strength of the chain or rope.
- Teach children not to jump from swings or other playground equipment in motion.
- Teach children not to push empty seats. The seat may hit them and cause serious injury.
- Teach children to sit in the center of the swings with their full weight on the seats.
- Teach children not to use the equipment in a manner other than intended.
- Teach children to always go down slides feet first. Never slide headfirst.
- Teach children to look before they slide to make sure no one is at the bottom.
- Teach children to never run up a slide, as this increases their chances of falling.
- The parents should have the children dress appropriately with well-fitting shoes. Loose clothing such as scarves and ponchos should not be worn. Always take off, tie up or tuck in cords and drawstrings on children's clothing. These things can get caught on playground equipment and strangle a child.
- Teach children not to climb when the equipment is wet.
- Teach children to never jump from a fort deck. They should always use the Access, ramp or slide.
- Teach children to never crawl or walk across the top of monkey bars or swing beam.
- Teach children to never crawl on top of a fort roof or on the outside of a tube slide.
- Verify that any suspended climbing ropes, chains, or cables are secured at both ends and that they cannot be looped around an adult hand.
- Teach children not to attach items to the playground equipment that are not specifically designed for use with the equipment, such as, but not limited to, jump ropes, clothesline, pet leashes, cables and chain as they may cause a strangulation hazard.
- Teach children to never wrap their legs around swing chain.
- Teach children to never slide down the swing chain.
- Teach children to remove their bike or other sports helmet before playing on the playground equipment.
- Teach children to NEVER look at the sun or other bright light through any accessory such as but not limited to a telescope, periscope or binoculars.

**WARNING: Children must NOT use this play set until it has been completely assembled and inspected by an adult to insure it has been properly installed and the swing beam legs are anchored.**



## Safety and Maintenance Tips for Your New Play Set: (continued)

Playgrounds should be inspected on a regular basis. If any of the following conditions are noted, they should be removed, corrected, or repaired immediately to prevent injuries.

- Hardware that is loose, worn or that has protrusions or projections.
- Exposed equipment footings.
- Scattered debris, litter, rocks, or tree roots.
- Splinters, large cracks, and decayed wood components.
- Deterioration and corrosion on structural components, which connect to the ground.
- Missing or damaged equipment components, such as handholds, guardrails, swing seats.
- Check all nuts and bolts twice monthly during the usage season and tighten as required.  
(But not so tight that you crack the wood) We recommend you check the swing beam and hardware often due to wood expansion and contraction. It is particularly important that this procedure be followed at the beginning of each season.
- Remove plastic swing seats and take indoors or do not use when the temperature drops below 32°F. Reinstall swings and other swing equipment at the beginning of the usage season.
- Oil all metallic moving parts monthly during the usage period.
- Check all coverings for bolts and sharp edges twice monthly during usage season to be certain they are in place. Replace when necessary. It is especially important to do this at the beginning of each new season.
- Check swing seats, ropes, cables and chains monthly during usage season for evidence of deterioration. Replacement should be made of any swing seat that has developed cracks in the plastic seats. Ropes, cables and chains should be removed and replaced if excessive wear is found. Contact us for warranted replacement parts.
- Swing chains, rings, ropes, etcetera should always be fastened to a rotating swing hanger. NEVER attach a chain, ring, rope, etcetera to a stationary hanger such as but not limited to an eye bolt. Severe wear could occur leading to an injury.
- For rusted areas on metallic members such as monkey bars, hand supports brackets, etc.; sand and repaint, using a non lead-based paint meeting the requirements of Title 16 C.F.R. Part 1303. These requirements are available at: <http://www.cpsc.gov/>
- Inspect wood parts monthly. The grain of the wood sometimes will lift in the dry season causing splinters to appear. Light sanding may be necessary to maintain a safe playing environment. If you are treating your play set with stain regularly, it will help prevent severe checking/splitting and other weather damage.
- Once or twice a year, depending on your climate conditions, you must apply some type of protection (sealant) to the wood of your unit. Prior to the application of sealant, lightly sand any "rough" spots on your set. Please note this is a requirement of your warranty.
- Creating and maintaining the play set on a level location is very important. As your children play, your play set will slowly dig its way into the soil, and it is very important that it settles evenly. Make sure the play set is level and true once each year or at the beginning of each play season.
- Twice a month during the usage season rake the playground protective surfacing materials to prevent compaction and maintain appropriate depths. Replace the protective surfacing materials as required.
- Disposal Instructions: When the play set is no longer desired, it should be disassembled and disposed of in such away that no unreasonable hazards will exist at the time the play set is discarded.

# PLAYGROUND SURFACING MATERIALS

## SECTION 4 OF THE CONSUMER PRODUCT SAFETY COMMISSION'S OUTDOOR HOME PLAYGROUND SAFETY HANDBOOK<sup>9</sup>

### Select Protective Surfacing

One of the most important things you can do to reduce the likelihood of serious head injuries is to install shock-absorbing protective surfacing under and around your play equipment. The protective surfacing should be applied to a depth that is suitable for the equipment height in accordance with ASTM Specification F 1292. There are different types of surfacing to choose from; whichever product you select, follow these guidelines:

**NOTE:** Do not install home playground equipment over concrete, asphalt, or any other hard surface. A fall onto a hard surface can result in serious injury to the equipment user. Grass and dirt are not considered protective surfacing because wear and environmental factors can reduce their shock absorbing effectiveness. Carpeting and thin mats are generally not adequate protective surfacing. Ground level equipment – such as a sandbox, activity wall, playhouse or other equipment that has no elevated play surface – does not need any protective surfacing.

### Loose-Fill Materials:

- ❑ Maintain a minimum depth of 9 inches of loose-fill materials such as wood mulch/chips, engineered wood fiber (EWF), or shredded/recycled rubber mulch for equipment up to 8 feet high; and 9 inches of sand or pea gravel for equipment up to 5 feet high. NOTE: An initial fill level of 12 inches will compress to about a 9-inch depth of surfacing over time. The surfacing will also compact, displace, and settle, and should be periodically refilled to maintain at least a 9-inch depth.
- ❑ Use a minimum of 6 inches of protective surfacing for play equipment less than 4 feet in height. If maintained properly, this should be adequate. (At depths less than 6 inches, the protective material is too easily displaced or compacted.)
- ❑ Use containment, such as digging out around the perimeter and/or lining the perimeter with landscape edging. Don't forget to account for water drainage. U.S. Consumer Product Safety Commission, Washington, D.C., 20207 or call the toll-free hotline :1-800-638-2772
- ❑ Check and maintain the depth of the loose-fill surfacing material. To maintain the right amount of loose-fill materials, mark the correct level on play equipment support posts. That way you can easily see when to replenish and/or redistribute the surfacing.
- ❑ **Do not** install loose fill surfacing over hard surfaces such as concrete or asphalt.

### Poured-In-Place Surfaces or Pre-Manufactured Rubber Tiles:

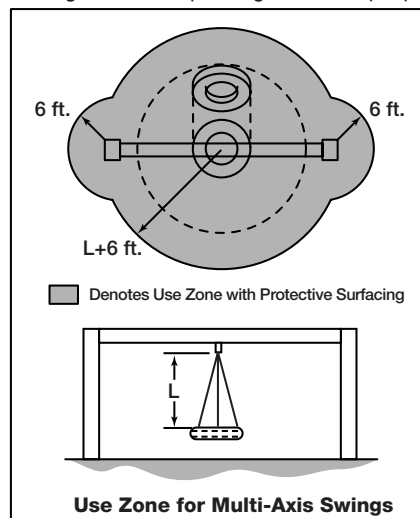
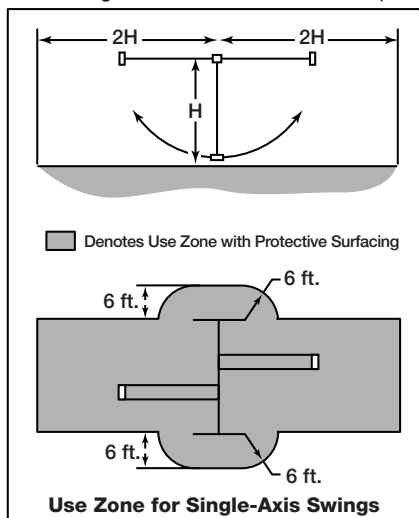
You may be interested in using surfacing other than loose-fill materials – like rubber tiles or poured-in-place surfaces.

- ❑ Installations of these surfaces generally require a professional and are not "do-it-yourself" projects.
- ❑ Review surface specifications before purchasing this type of surfacing. Ask the installer/manufacturer for a report showing that the product has been tested to the following safety standard: ASTM F 1292 Standard Specification for Impact Attenuation of Surfacing Materials within the Use Zone of Playground Equipment. This report should show the specific height for which the surface is intended to protect against serious head injury. This height should be equal to or greater than the fall height – vertical distance between a designated play surface (elevated surface for standing, sitting, or climbing) and the protective surfacing below – of your play equipment.
- ❑ Check the protective surfacing frequently for wear.

### Placement

Proper placement and maintenance of protective surfacing is essential. Be sure to

- ❑ Extend surfacing at least 6 feet from the equipment in all directions.
- ❑ For to-fro swings, extend protective surfacing in front of and behind the swing to a distance equal to twice the height of the top bar from which the swing is suspended.
- ❑ For tire swings, extend surfacing in a circle whose radius is equal to the height of the suspending chain or rope, plus 6 feet in all directions.



<sup>9</sup> This information has been extracted from the CPSC publications "Playground Surfacing—Technical Information Guide" and "Handbook for Public Playground Safety." Copies of these reports can be obtained by sending a postcard to the: Office of Public Affairs, U.S. Consumer Product Safety Commission, Washington, D.C., 20207 or call the toll-free hotline: 1-800-638-2772

# Play Set Surfacing Recommendations:

Below are some of the recommendations that the U.S. Consumer Product Safety Commission (CPSC) offers from its Handbook for Public Playground Safety. The guide can be downloaded in full at [www.cpsc.gov/cpscpub/pubs/325.pdf](http://www.cpsc.gov/cpscpub/pubs/325.pdf)

**1. Protective Surfacing** - Since almost 60% of all injuries are caused by falls to the ground, protective surfacing under and around all playground equipment is the most critical safety factor on playgrounds.

Certain manufactured synthetic surfaces also are acceptable; however, test data on shock absorbing performance should be requested from the manufacturer.

Asphalt and concrete are unacceptable. They do not have any shock absorbing properties. Similarly, grass and turf should not be used. Their ability to absorb shock during a fall can be reduced considerably through wear and environmental conditions.

Certain loose-fill surfacing materials are acceptable. Surfacing materials are acceptable, such as the types and depths shown in the table.

## Fall Heights and Materials

Type Of Material	6 in. depth	9 in. depth	12 in. depth
Double-Shredded bark mulch	6' Fall Height	10' Fall Height	11' Fall Height
Wood Chips	6' Fall Height	7' Fall Height	12' Fall Height
Fine Sand	5' Fall Height	5' Fall Height	9' Fall Height
Shredded Tires*	10-12' Fall Height	N/A	N/A
Fine Gravel	6' Fall Height	7' Fall Height	10' Fall Height

\*This data is from tests conducted by independent testing laboratories on a 6-inch depth of uncompressed shredded tire samples produced by four manufacturers. The tests reported critical heights, which varied from 10 feet to greater than 12 feet. It is recommended that persons seeking to install shredded tires as a protective surface request test data from the supplier showing the critical height of the material when it was tested in accordance with ASTM F1292.

*It should be recognized that all injuries due to falls cannot be prevented no matter what surfacing material is used.*

**2. Fall Zones** - A fall zone, covered with a protective surfacing material, is essential under and around equipment where a child might fall. This area should be free of other equipment and obstacles onto which a child might fall. Stationary climbing equipment and slides should have a fall zone extending a Minimum of 6' in all directions from the perimeter of the equipment.

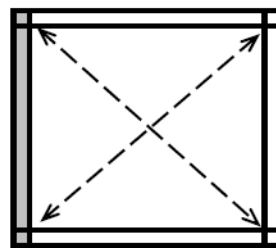
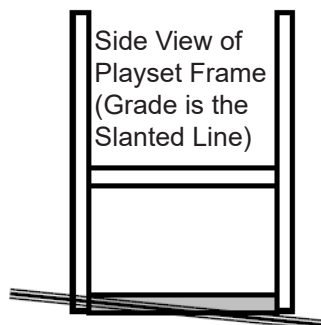
Swings should have a fall zone extending a minimum of 6' from the outer edge of the support structure on each side. The fall zone in front and back of the swing should extend out a minimum distance of twice the height of the swing as measured from the ground to the top of the swing support structure.

## LEVELING YOUR FORT DURING ASSEMBLY

- Complete the steps which will be the basic frame of the fort. {i.e. four corner posts with base (sand box boards) and deck supports}
- Position in the most level area chosen for the play set, keeping in mind the location and size of the swing beam, Access, slides, etc. that extend off the fort.
- Once the frame is in the final position, check for vertical and horizontal levelness to determine which side(s) will need to be dug into the ground to level the play set.
- With a shovel, score the ground around the outside edges of the sandbox boards on the 'high' side of the fort. This is the area that will be dug in. Make sure to score deep enough; the scored lines will be your digging template.
- Push the frame off and away from the scored area, far enough to dig and remove dirt to reach the appropriate depth.
- Dig a channel along the scored line(s) for the base of the fort (corner post and sandbox boards) to rest into. Dig the channel(s) to the same level depth. The bottom of the channel(s) should be level to each other so your frame doesn't teeter or rock because the channel(s) are uneven.
- Once you have removed enough grass and dirt, slide/push the frame into the channel(s). Place a level on the vertical and horizontal boards of the frame to determine if enough soil, or too much, was removed.
- Repeat this process until the basic frame is plumb and level and in its final position before completing the rest of the assembly.
- Measure to make sure fort is square.

**Important: if you require a channel depth of more than 6", then we recommend you have your play set area professionally graded before completing assembly.**

*Example Play area:*



The diagonal measurements should be the same from corner post to corner post. If not, adjust corner posts so that the distance is equal.

■ = Area to be scored and channeled for levelness

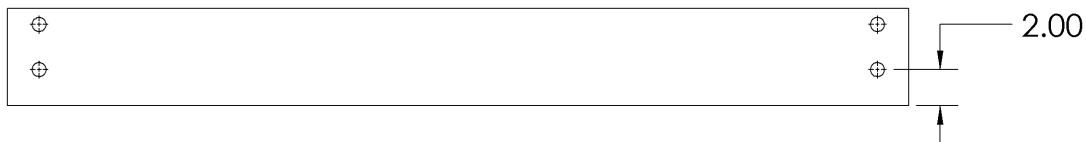
# General Info to Review Before Installation

- Depending on your experience, assembly of the playset can take as little as 6 hours up to 24 hours, depending on size, after inventory of parts; therefore, we recommend you set aside a full two days for assembly.
- Identify all of the parts for your play set. Empty each box and lay out boards so you can see each part. Your instruction book will have detailed drawings that will make it easy for you to recognize individual parts. Keep all hardware and metal parts separate from wooden pieces.
- After everything is laid out, check carefully to ensure all parts are present. Make sure there are no broken boards.
- Find an area to sort your hardware. It is best to open the hardware on a solid surface so that you do not lose any pieces in the grass. This will save time and familiarize you with all the different pieces in the hardware bag.
- Important note: Wood has some natural defects such as knots, surface cracks, etc... We reject parts that are structurally defective. We use a high quality lumber in our structures; however, you should inspect each part for splinters or rough spots and sand them smooth to prevent injury.
- After familiarizing yourself with all of the components, read all instructions thoroughly. Reading instructions after you have studied the parts will help you understand the installation process, and help to eliminate unnecessary mistakes.
- Pay close attention to the diameter and length of each bolt and screw.
- Never tighten hardware completely at first. It helps to have some adjustment for bolt alignment while you are attaching parts together. After everything is square, tighten each joint.
- After the main unit is assembled it is critical that the floor is level and square. If the main frame is not level, the walls and floor will be out of square.
- After you complete installation, make sure every bolt, screw, and nut is tight, and every board is secure. Wood will expand and contract with the seasons.
- Place the set on level ground, not less than 6 feet from any structure or obstruction such as a fence, garage, house, overhanging branches, laundry lines, or electrical wires.

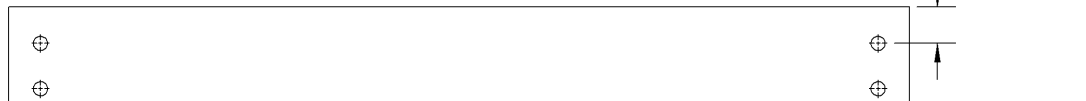
**This page is a list of definitions and explanations used throughout our instructions to aid you in the assembly of your play set.**

**Offset Holes-** Throughout the installation procedures we will refer to parts with offset holes. This refers to the orientation of the holes on the board. An offset hole is one that is closer to one side than it is the other or in other words, it is not centered on the board. In the procedures you will be instructed to attach the boards with the holes offset up or with the holes offset down. This refers to which side of the board the hole/holes should be closer to. Offset holes up= hole/holes will be closer to the top of the board. Offset holes down= hole/holes will be closer to the bottom of the board. Note: some parts do not have offset holes, but instead the holes are on center. Therefore there will not be any reference on how to offset these parts.

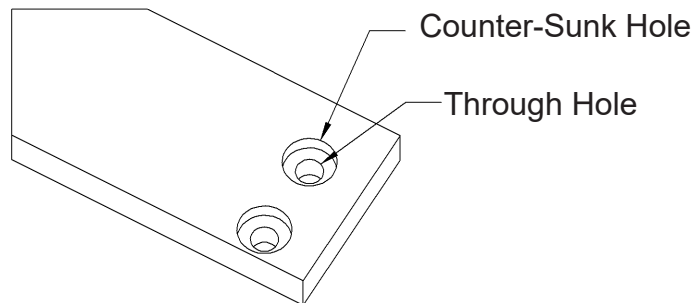
### **EXAMPLE OF OFFSET HOLES UP**



### **EXAMPLE OF OFFSET HOLES DOWN**



**Counter-sunk holes** - Many of the parts that will be used have counter-sunk holes. A counter-sunk hole is one that surrounds one side of a through hole, but does not extend through the wood it's self. When using a counter-sunk hole the bolt will be inserted through the through hole and either the head of the bolt and washer or nut and washer will occupy the counter sunk hole.



**Lag Screws-** Lag screws are used in the construction of our play sets to enhance the structural integrity of the unit. There will not be predrilled holes in the post for lag screw installation. Lag screws are self-tapping, though if you are using a manual socket wrench it may be advantageous to pre-drill a hole first. Instructions for this are provided on a separate page in the front of the manual. Be sure to tighten the lags completely when driving them in by hand. Power tools such as a heavy duty impact driver or large power drill should have enough torque to drive in the lag screws, but make sure not to over tighten as this can cause the threads to “strip out” in the post.

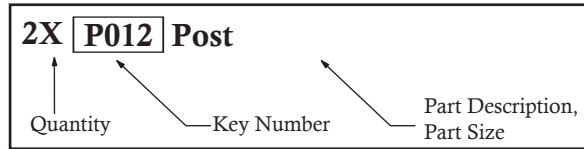
# Keys to Assembly Success

## Tools Required

<ul style="list-style-type: none"> <li>• Tape Measure</li> <li>• Carpenters Level</li> <li>• Carpenters Square</li> <li>• Claw Hammer</li> <li>• Standard or Cordless Drill</li> </ul>	<ul style="list-style-type: none"> <li>• #2 Phillips bit or Screwdriver</li> <li>• Ratchet with extension (7/16", 1/2" &amp; 9/16" sockets)</li> </ul>	<ul style="list-style-type: none"> <li>• Open End Wrench (7/16", 1/2", 9/16" &amp; 5/8")</li> <li>• Adjustable Wrench</li> <li>• Pencil</li> </ul>	<ul style="list-style-type: none"> <li>• 8' Step Ladder x 2</li> <li>• Safety Glasses</li> <li>• Adult Helpers</li> </ul>
--	--	--	---

## Part Identification Key

On each page, you will find the parts and quantities required to complete the assembly step illustrated on that page. Here is a sample.



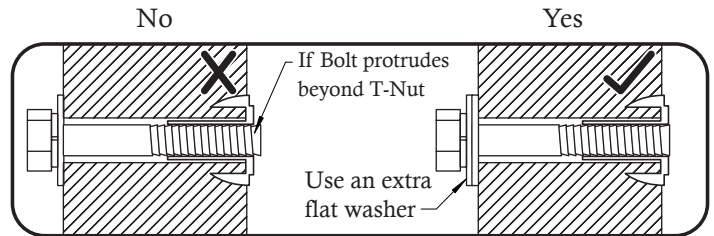
## Symbols

Throughout these instructions symbols are provided as important reminders for proper and safe assembly.

<p>This identifies information that requires special attention. Improper assembly could lead to an unsafe or dangerous condition.</p>	<p>Check that set or assembly is properly level before proceeding.</p> <p>Use Level</p>
<p>Use Help</p> <p>Where this is shown, 2 or 3 people are required to safely complete the step. To avoid injury or damage to the assembly make sure to get help!</p>	<p>Pre-drill 1/8" &amp; 3/16" Bit</p> <p>Pre-drill a pilot hole before fastening screw or lag to prevent splitting of wood.</p>
<p>Measure Distance</p> <p>Check that assembly is square before tightening bolts.</p> <p>Square Assembly</p> <p>Use a measuring tape to assure proper location.</p>	<p>Tighten Bolts</p> <p>This indicates time to tighten bolts, but not too tight! Do not crush the wood. This may create splinters and cause structural damage.</p>

## CAUTION – Protrusion Hazard

Once the assembly is tightened, watch for exposed threads. If a thread protrudes from the T-Nut, remove the bolt and add washers to eliminate this condition. Extra washers have been provided for this purpose.

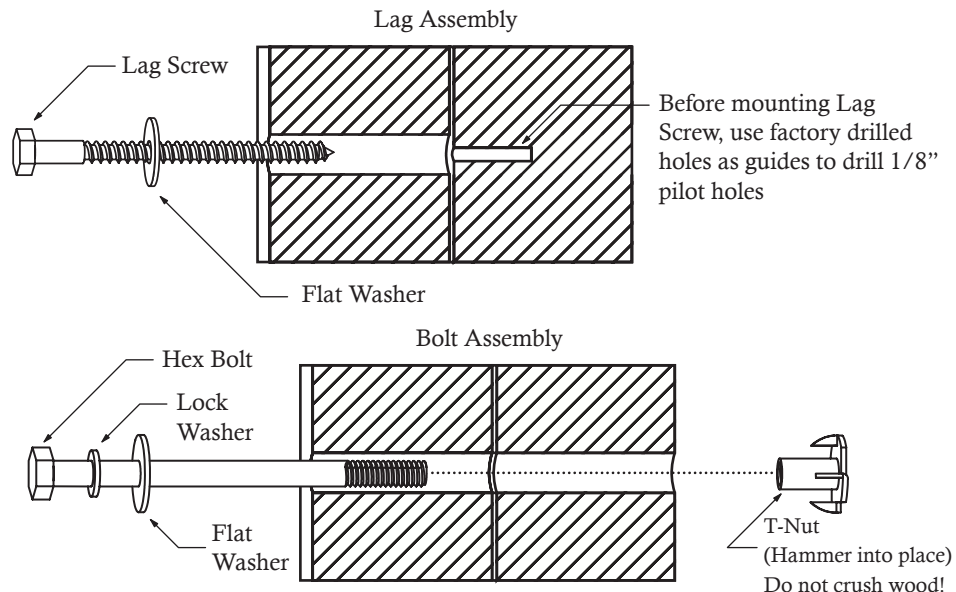


## Proper Hardware Assembly

Lag screws require drilling pilot holes to avoid splitting wood. Only a flat washer is required. For ease of installation liquid soap can be used on all lag-type screws.

For bolts, tap T-Nut into hole with hammer. Insert the hex bolt through lock washer first then flat washer then hole. Because the assemblies need to be squared do not completely tighten until instructed. Pay close attention to diameter of the bolts. 5/16" is slightly larger than 1/4".

**Note:** Wafer head bolts with blue lock tight or a bolt with a Ny-Lok nut do NOT require a lock washer.





# IMPORTANT DOCUMENTS

## CUSTOMER MUST READ AND RETAIN

Please go to the following links and read important SAFETY information prior to using your new play structure.

<http://www.gorillaplaysets.com/safety-tips/>

<https://www.gorillaplaysets.com/suggested-maintenance>

<http://www.gorillaplaysets.com/assembly-manuals/>

(Click on your specific model)

<http://www.gorillaplaysets.com/warranty/>

**NOTE:** Your children's safety is our #1 concern. Observing the following statements and warnings reduces the likelihood of serious injury. Please review these safety rules regularly with your children.

### **WARNING:**

*Children must NOT use this play set until it has been completely assembled and inspected by an adult to ensure it has been properly installed.*

Gorilla Playsets  
166 Etowah Industrial Court  
Canton, GA. 30114



# Part Identification ( Dimensions are approximate and are shown to assist in the identification of parts for assembly. Actual dimensions may be smaller or larger. )

1pc. (P010) - Door Stop 254mm (10") FSC



1pc. (P044) - Turbo SL - Center Post 227.2mm (8-15/16") FSC



2pc. (P045) - Turbo SL - Side Post 198.1mm (7-13/16") FSC



1pc. (P046) - Turbo SL - Base 457.2mm (18") FSC



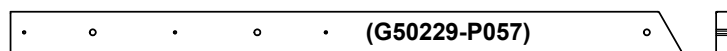
1pc. (P055) - SW Beam 2336.8mm (92") FSC



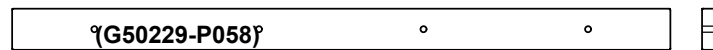
2pc. (P056) - A Frame Leg 2336.8mm (92") FSC



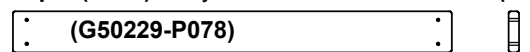
2pc. (P057) - A Frame Support 1244.6mm (49") FSC



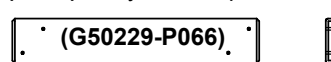
1pc. (P058) - A Frame Support Joiner 1219.2mm (48") FSC



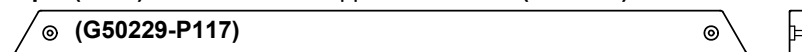
11pc. (P078) - Sky Loft Wall Board 812.8mm (32") FSC



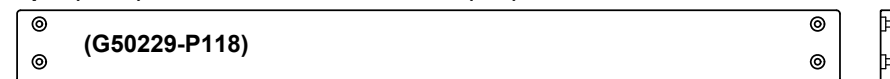
4pc. (P066) - Sky Loft Step 457.2mm (18") FSC



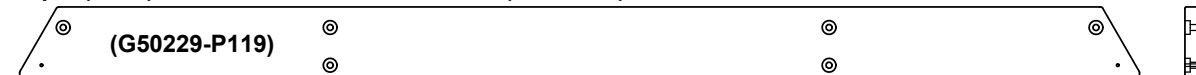
1pc. (P117) - A Frame Mid Support 1360.3mm (53-9/16") FSC



2pc. (P118) - Sandbox Base FB 1524mm (60") FSC



1pc. (P119) - SW Sandbox Base 2074.2mm (81-11/16") FSC



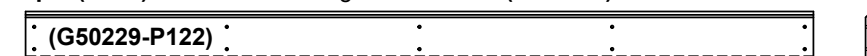
2pc. (P120) - Diagonal 1073.2mm (42-1/4") FSC



1pc. (P121) - Front Wall Siding Bottom 1459mm (57-7/16") FSC



3pc. (P122) - Front Wall Siding Mid 1459mm (57-7/16") FSC



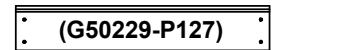
1pc. (P123) - Front Wall Siding Top 1459mm (57-7/16") FSC



2pc. (P124) - Side Wall Siding Bottom 938mm (36-15/16") FSC



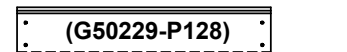
2pc. (P127) - Door Wall Siding Bottom 470mm (18-1/2") FSC



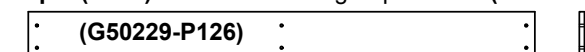
6pc. (P125) - Side Wall Siding Mid 938mm (36-15/16") FSC



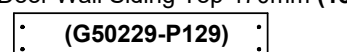
8pc. (P128) - Door Wall Siding Mid 470mm (18-1/2") FSC



2pc. (P126) - Side Wall Siding Top 938mm (36-15/16") FSC

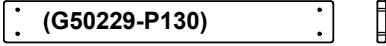


2pc. (P129) - Door Wall Siding Top 470mm (18-1/2") FSC



# Part Identification (Dimensions are approximate and are shown to assist in the identification of parts for assembly. Actual dimensions may be smaller or larger.)

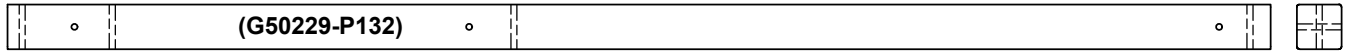
**4pc. (P130) - Sandbox Wall Upright 609.6mm (24") FSC**



**2pc. (P131) - SW Post 2336.8mm (92") FSC**



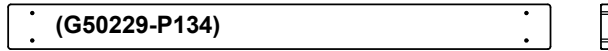
**2pc. (P132) - Post 2336.8mm (92") FSC**



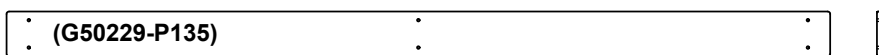
**3pc. (P133) - Mid Post 1406.4mm (55-3/8") FSC**



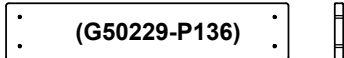
**2pc. (P134) - Sandbox Side Wall Top 1003.2mm (39-1/2") FSC**



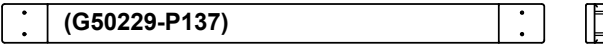
**1pc. (P135) - Sandbox Front Wall Top 1524mm (60") FSC**



**4pc. (P136) - Sandbox Door Wall Top 522.3mm (20-9/16") FSC**



**1pc. (P137) - Tube Slide Support 1003.2mm (39-1/2") FSC**



**2pc. (P138) - Roof Support Left 1095.5mm (43-1/8") FSC**



**2pc. (P139) - Roof Support Right 1095.5mm (43-1/8") FSC**



**2pc. (P141) - Roof T 1206.5mm (47-1/2") FSC**



**1pc. (P142) - Roof G 1206.5mm (47-1/2") FSC**



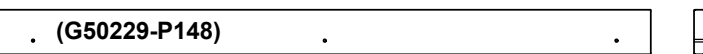
**10pc. (P143) - Roof TG 1206.5mm (47-1/2") FSC**



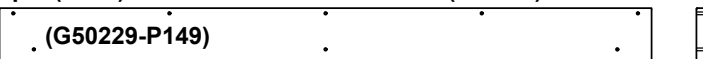
**1pc. (P144) - Roof TG Bottom 1206.5mm (47-1/2") FSC**



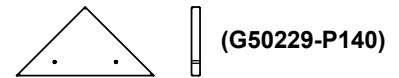
**1pc. (P148) - Roof Peak 1206.5mm (47-1/2") FSC**



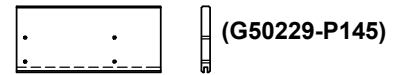
**1pc. (P149) - Roof Peak Wide 1206.5mm (47-1/2") FSC**



**2pc. (P140) - Roof Peak Support 254mm (10") FSC**



**2pc. (P145) - Overlook Roof G 266.7mm (10-1/2") FSC**



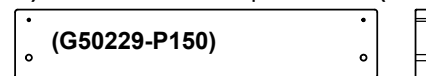
**4pc. (P146) - Overlook Roof TG 266.7mm (10-1/2") FSC**



**2pc. (P147) - Overlook Roof TG Top 266.7mm (10-1/2") FSC**

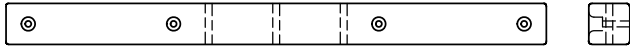


**2pc. (P150) - Overlook Back Top 669.9mm (26-3/8") FSC**

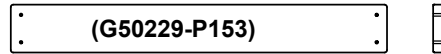


# Part Identification ( Dimensions are approximate and are shown to assist in the identification of parts for assembly. Actual dimensions may be smaller or larger. )

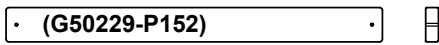
1pc. (P151) - SW Mount 1003.2mm (39-1/2") FSC (G50229-P151)



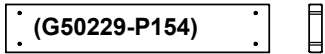
2pc. (P153) - Tube Slide Wall Board 698.5mm (27-1/2") FSC



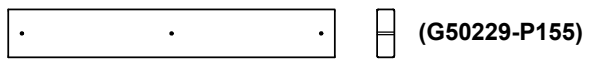
8pc. (P152) - Wall Board 698.5mm (27-1/2") FSC



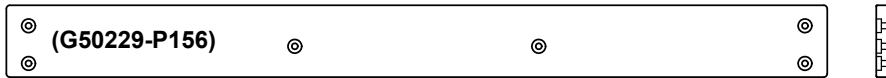
2pc. (P154) - TTT Mount 489mm (19-1/4") FSC



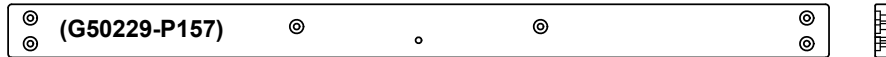
2pc. (P155) - Tube Slide Entrance Mount 606.4mm (23-7/8") FSC



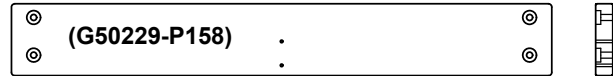
1pc. (P156) - Deck Back Bottom Rail 1524mm (60") FSC



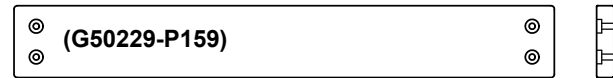
1pc. (P157) - Deck Front Bottom Rail 1524mm (60") FSC



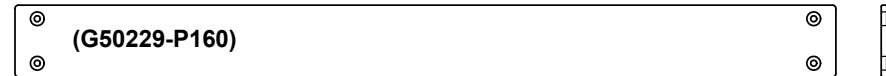
2pc. (P158) - Deck Side Bottom Rail 1003.3mm (39-1/2") FSC



2pc. (P159) - Deck Side Top Rail 1003.3mm (39-1/2") FSC



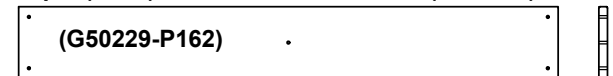
1pc. (P160) - Deck Back Top Rail 1524mm (60") FSC



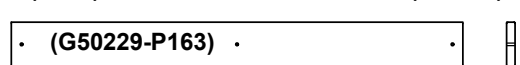
1pc. (P161) - Deck Front Top Rail 1524mm (60") FSC



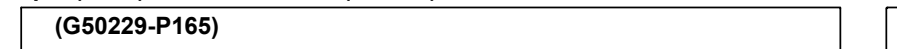
10pc. (P162) - Floor Board 1001.6mm (39-7/16") FSC



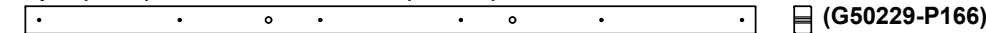
2pc. (P163) - Floor End Board 835.2mm (32-7/8") FSC



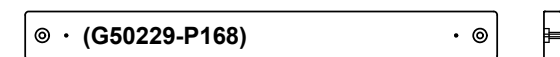
1pc. (P165) - Joist 1520.8mm (59-7/8") FSC



2pc. (P166) - Side Joist 1355.7mm (53-3/8") FSC



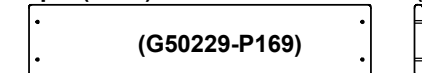
1pc. (P168) - Front Upright 876.3mm (34-1/2") FSC



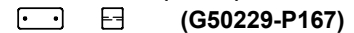
4pc. (P164) - Gusset 406.4mm (16") FSC



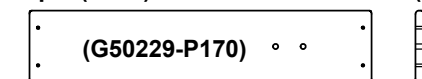
1pc. (P169) - Rock Board A 635mm (25") FSC



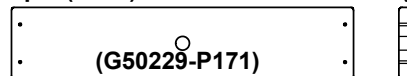
4pc. (P167) - Short Joist 82.6mm (3-1/4") FSC



6pc. (P170) - Rock Board B 635mm (25") FSC



1pc. (P171) - Rock Board C 635mm (25") FSC



# Part Identification (Dimensions are approximate and are shown to assist in the identification of parts for assembly. Actual dimensions may be smaller or larger.)

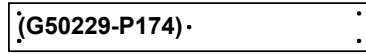
**2pc. (P172) - Rock Wall Rail 1620.3mm (63-13/16") FSC**



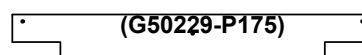
**2pc. (P173) - Overlook Access Rail 1558.9mm (61-3/8") FSC**



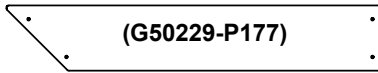
**6pc. (P174) - Overlook Floor Board A 666.7mm (26-1/4") FSC**



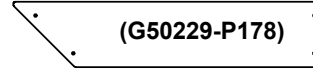
**2pc. (P175) - Overlook Floor Board B 666.7mm (26-1/4") FSC**



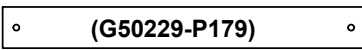
**2pc. (P177) - Overlook Wall Board A 699.7mm (27-9/16") FSC**



**2pc. (P178) - Overlook Wall Board B 579.5mm (22-13/16") FSC**



**1pc. (P179) - Overlook Back 669.9mm (26-3/8") FSC**



**2pc. (P180) - Overlook Gusset 292.1mm (11-1/2") FSC**



(G50229-P180)

**1pc. (P181) - Overlook Support 669.9mm (26-3/8") FSC**

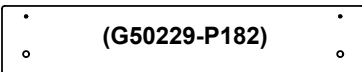


(G50229-P181)

**2pc. (P183) - Overlook Top Rail F/B 987.4mm (38-7/8") FSC**

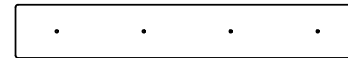


**1pc. (P182) - Overlook Top Side Rail 669.9mm (26-3/8") FSC**



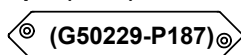
(G50229-P182)

**1pc. (P184) - SL Block 635mm (25") FSC**



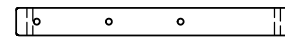
(G50229-P184)

**1pc. (P187) - Overlook Front Roof Support**



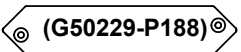
436.6mm (17-3/16") FSC

**2pc. (P186) - Overlook Post B 514.4mm (20-1/4") FSC**



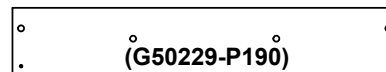
(G50229-P186)

**1pc. (P188) - Overlook Back Roof Support**



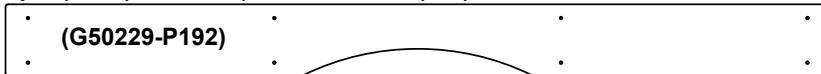
436.6mm (17-3/16") FSC

**2pc. (P190) - Overlook F/B Bottom Rail 711.2mm (28") FSC**



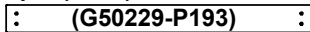
(G50229-P190)

**1pc. (P192) - Door Top Arch 1524mm (60") FSC**



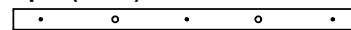
(G50229-P192)

**4pc. (P193) - Window Side 565.2mm (22-1/4") FSC**



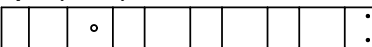
(G50229-P193)

**2pc. (P189) - Overlook Side Joist 641.4mm (25-1/4") FSC**



(G50229-P189)

**2pc. (P203) - Side Access 695mm (27-3/8") FSC**



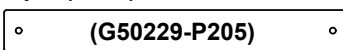
(G50229-P203)

**6pc. (P191) - Trim 412.8mm (16-1/4") FSC**



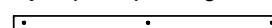
(G50229-P191)

**1pc. (P205) - Overlook Mid Rail 634.9mm (25") FSC**



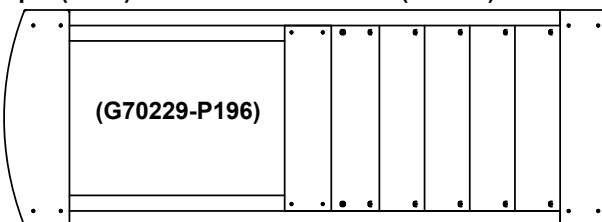
(G50229-P205)

**4pc. (P194) - Long Trim 496.9mm (19-9/16") FSC**



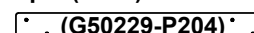
(G50229-P194)

**1pc. (P196) - Door Panel 1114.4mm (43-7/8") FSC**



(G70229-P196)

**1pc. (P204) - Access Top 457.2mm (18") FSC**



(G50229-P204)

# Hardware Identification ( Dimensions are approximate and are shown to assist in the identification of parts for assembly. Actual dimensions may be smaller or larger. )

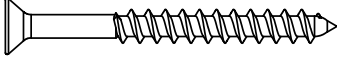
**56pc.** Wood Screw #8 x 1-1/8" (Y06018-515)



**370pc.** Wood Screw #8 x 1-1/2" (Y06018-512)



**48pc.** Wood Screw #8 x 1-3/4" (Y06018-513)



**80pc.** Wood Screw #8 x 2 1/4" - (Y06018-521)



**20pc.** Wood Screw #8 x 3" (Y06018-530)



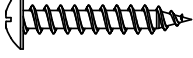
**8pc.** Wood Screw #8 x 3-1/2" (Y06018-532)



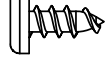
**3pc.** Wood Screw #7 x 3/4" (Y06018-003)



**158pc.** Truss Head Screw #8 x 7/8" - (Y06418-505)



**24pc.** Pan Screw #8 x 1/2" - (Y06418-502)



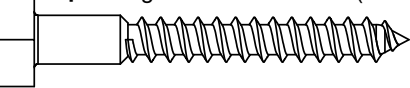
**4pc.** Pan Screw #8 x 1" - (Y06418-510)



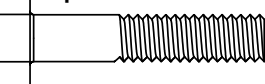
**13pc.** Pan Screw #10 x 1-1/4" - (Y06418-711)



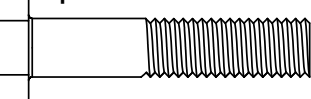
**7pc.** Lag Screw 5/16 x 2" - (Y06218-920)



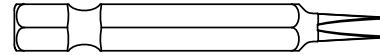
**12pc.** Hex Bolt 1/4 x 1-1/4" - (Y07718-211)



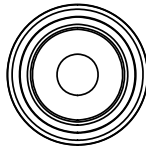
**2pc.** Hex Bolt 5/16 x 1-1/2" (Y07718-312)



**1pc.** #2 x 2" Robertson Driver (Y00400-005)



**5pc.** #12 Screw Bezel (Y09991-600)



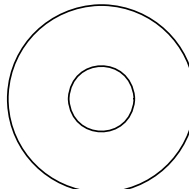
**14pc.** 1/4" Lock Washer (Y05318-200)



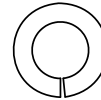
**26pc.** 3/16" Flat Washer (Y05118-101)



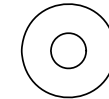
**40pc.** 3/8" Flat Washer (Y05118-801)



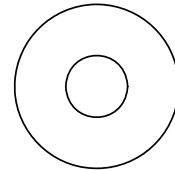
**79pc.** 5/16" Lock Washer (Y05318-300)



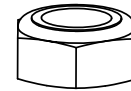
**2pc.** 1/4" Flat Washer (Y05118-201)



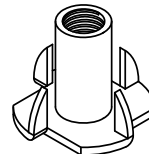
**116pc.** 5/16" Flat Washer (Y05118-203)



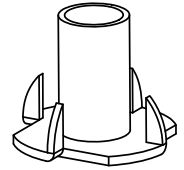
**25pc.** 3/8" Lock Nut (Y08318-803)



**14pc.** 1/4 - T-Nut (Y08518-200)



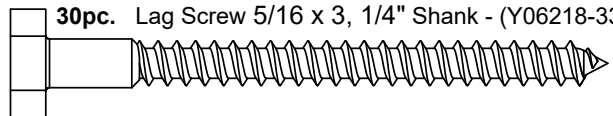
**79pc.** 5/16 - T-Nut (Y08518-300)



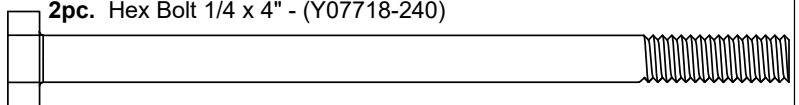
**12pc.** Pan Screw #12 x 2" - (Y06418-620)



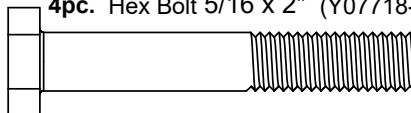
**30pc.** Lag Screw 5/16 x 3, 1/4" Shank - (Y06218-330)



**2pc.** Hex Bolt 1/4 x 4" - (Y07718-240)



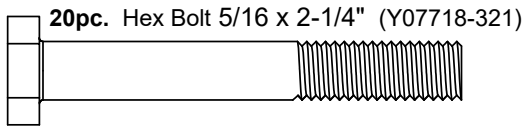
**4pc.** Hex Bolt 5/16 x 2" (Y07718-320)



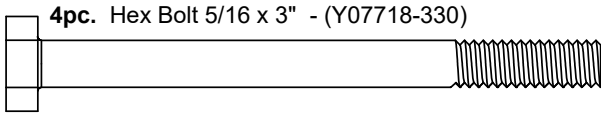
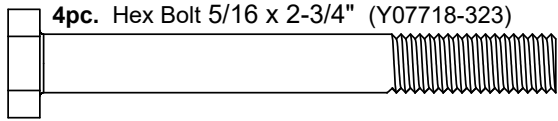
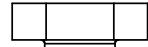
**1pc.** - 1/8" Drill Bit (Y00400-002)



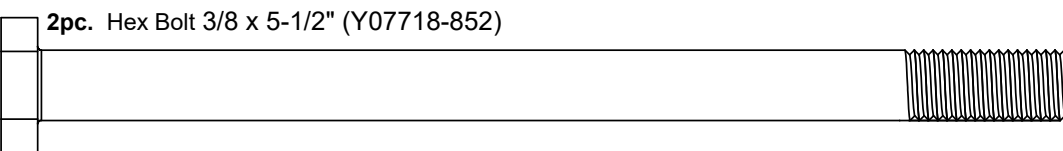
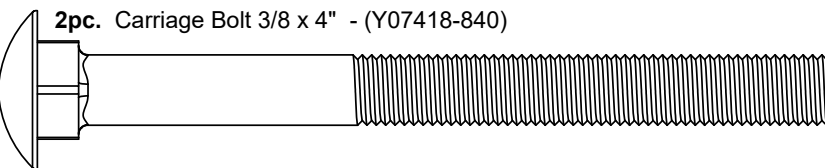
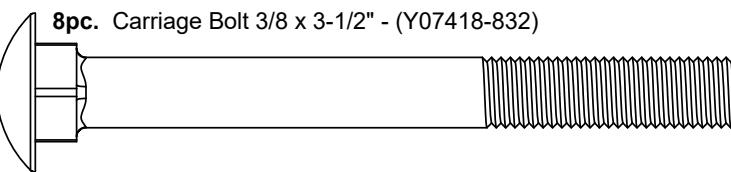
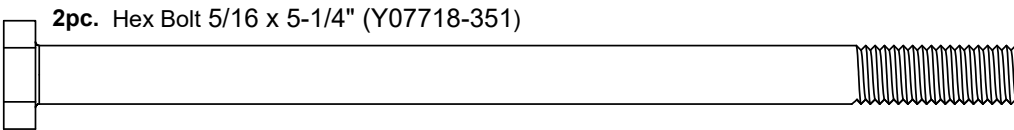
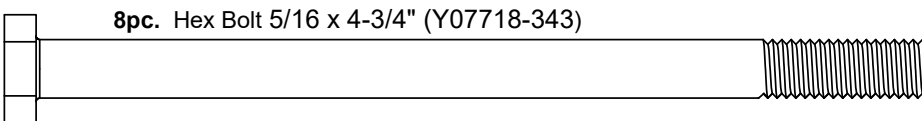
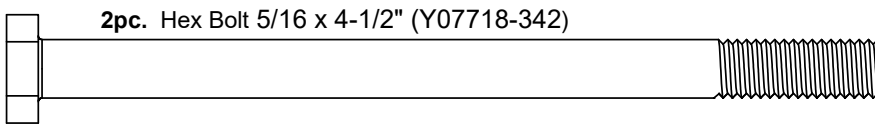
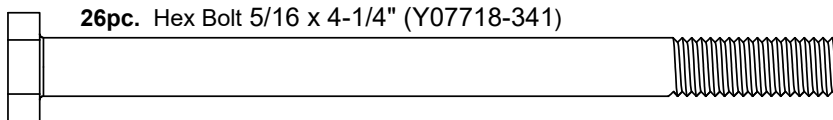
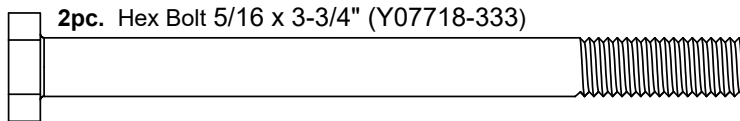
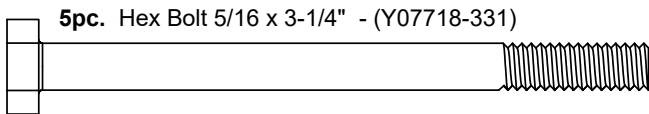
# Hardware Identification ( Dimensions are approximate and are shown to assist in the identification of parts for assembly. Actual dimensions may be smaller or larger. )



**1pc.** Hex Bolt 3/8 x 8-3/4" (Y07718-883)

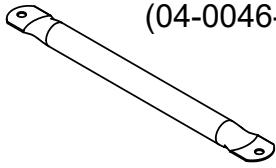


**12pc.** Hex Bolt 3/8 x 6" (Y07718-860)

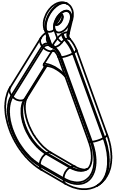


**Part Identification** ( Dimensions are approximate and are shown to assist in the identification of parts for assembly. Actual dimensions may be smaller or larger. )

**1pc. Acro Bar - Green**  
(04-0046-G)



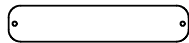
**2pc. Acro Handle - Green**  
(04-0045-G)



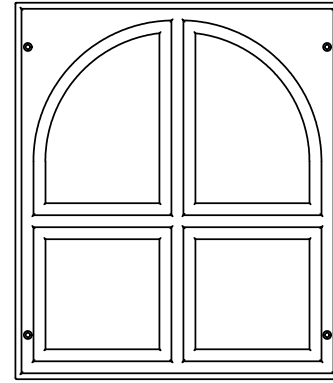
**1pc. Climbing Rope - Green**  
(10-1007-G)



**1pc. Playset ID Plaque**  
(11-4029)



**1pc. Plastic Dormer Window - Green (3pk)**



(07-0029-G-3PK)

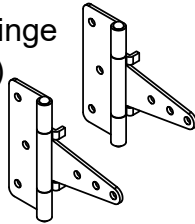
**1pc. Chain 19in - Green (2pk)**  
(08-1008-G-2PK)



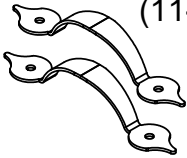
**1pc. Rocks**  
Green/Yellow (6pk)  
(07-0038-G/Y)



**2pc. Door Hinge**  
(11-5046-BK-B)



**2pc. Door Handle**  
(11-5046-BK-A)



**1pc. Catch Plate**  
(Y00400-782)

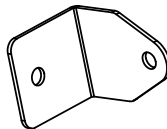


**1pc. Magnetic Catch**  
(FS-2914-BK)

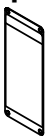


**1pc. Door Handle Set - Black**  
(11-5046-BK)

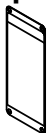
**1pc. 90° Green Bracket (2pk)**  
(11-5013-G-2PK)



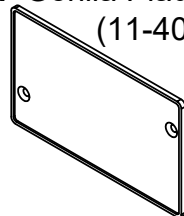
**1pc. ASTM**  
Warning Plate  
(11-5050-FR)



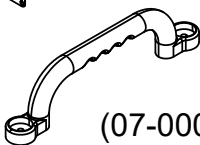
**1pc. ASTM**  
Warning Plate  
(11-5050-EN/SP)



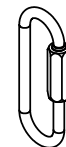
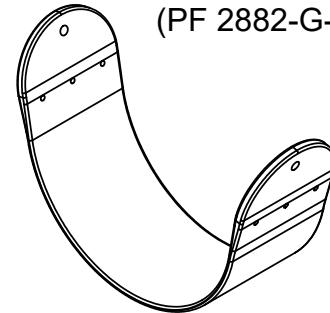
**1pc. Gorilla Plaque**  
(11-4018)



**3pc. Safety Handles - Green**  
(07-0005-G)



**1pc. Belt Swing - Green (2pk)**  
(PF 2882-G-2PK)



(FS 2787-Z-12PK)

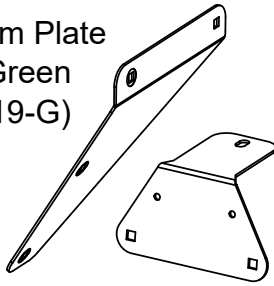
**1pc. Threaded Quick Link (12pk)**

**1pc. Chain 50in - Green (4pk)**  
(08-1009-G-4PK)

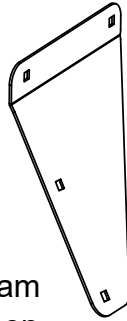


**Part Identification** ( Dimensions are approximate and are shown to assist in the identification of parts for assembly. Actual dimensions may be smaller or larger. )

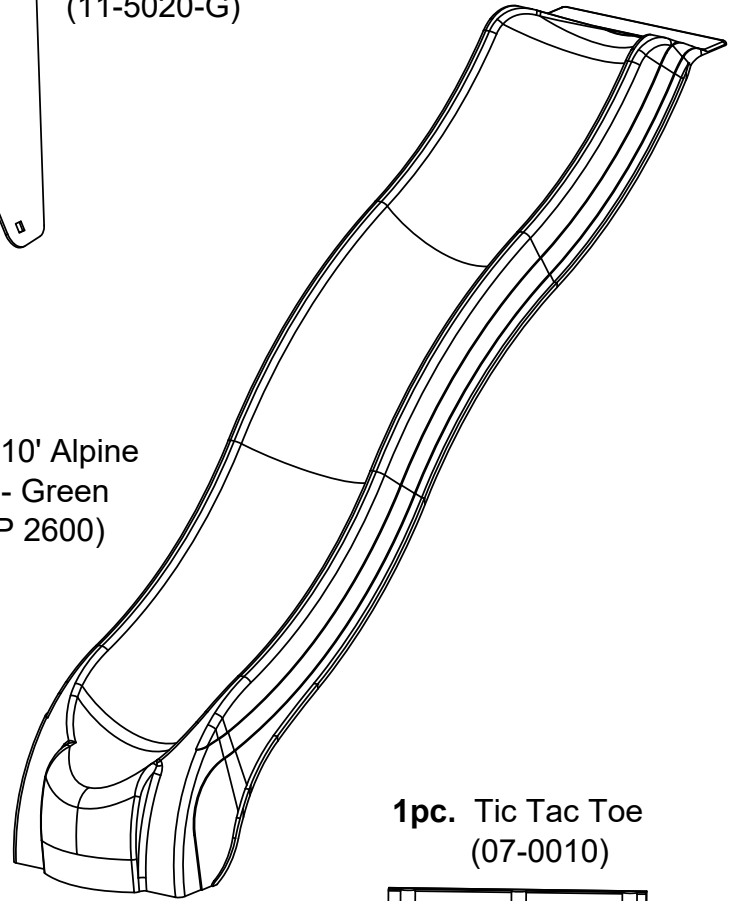
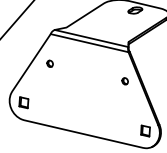
**1pc.** Post SW Beam Plate  
Left MM-2448 - Green  
(11-5019-G)



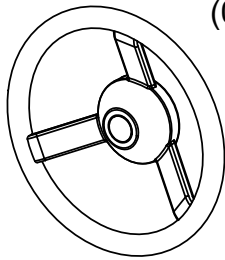
**1pc.** Post SW Beam Plate  
Right MM-2447 - Green  
(11-5020-G)



**1pc.** Post Swing Beam  
Under Bracket - Green  
(11-5021-G)



**1pc.** Steering Wheel - Green  
(07-0004-G)

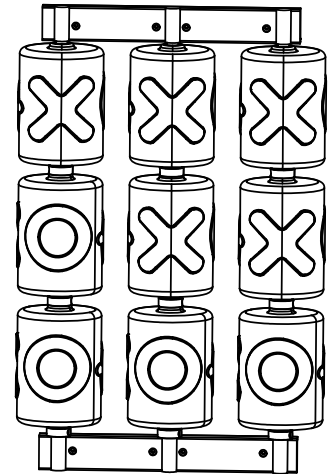


**1pc.** 10' Alpine  
Slide - Green  
(SP 2600)

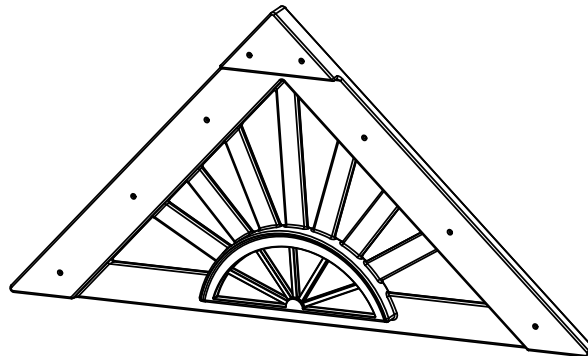
**3pc.** Anchor Stake  
with Spikes - Green (2pk)  
(11-5110-G-2PK)



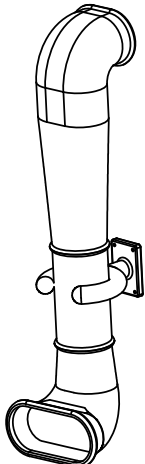
**1pc.** Tic Tac Toe  
(07-0010)



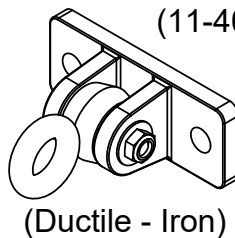
**2pc.** Plastic Sunburst - Green  
(07-0028-G)



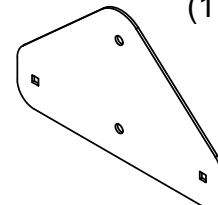
**1pc.** Periscope - Green  
(07-0002-G)



**6pc.** Swing Hanger - Black  
(11-4012-BK)



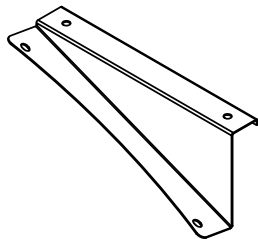
**1pc.** Triplate - Green  
(11-5025-G)



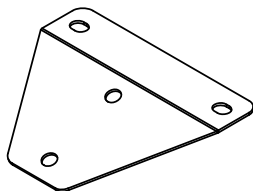


## TURBO SLIDE COMPONENTS

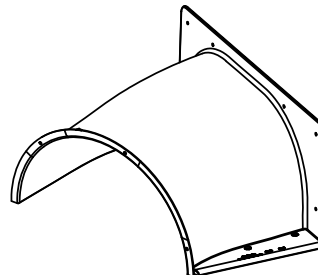
**1pc. Slide Mount Bracket**  
(11-5030 G)



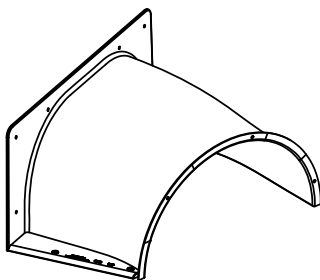
**1pc. Exit Support Bracket**  
(11-5031 G)



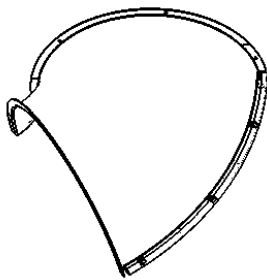
**1pc. Entrance Section - Right Side**  
(03-0040 G)



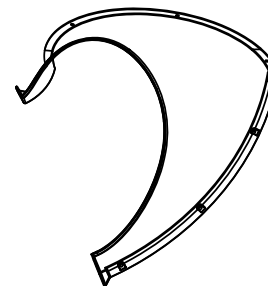
**1pc. Entrance Section - Left Side**  
(03-0041 G)



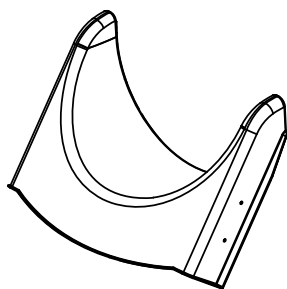
**9pc. Elbow Section**  
(03-0042 G)



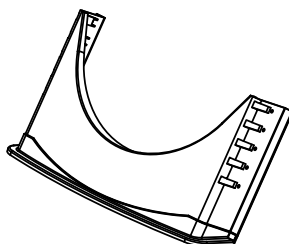
**1pc. Exit Elbow Section**  
(03-0043 G)



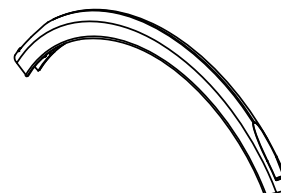
**1pc. Exit Section**  
(03-0044 G)



**1pc. Exit Base**  
(03-0045 G)

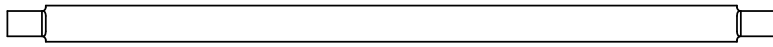


**15pc. Clamp Ring Section**  
(03-0046 G)

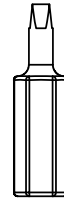


# TURBO SLIDE HARDWARE

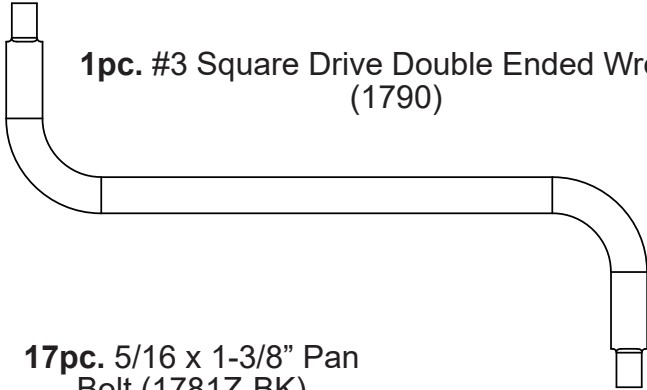
**1pc. #3 Square Drive Double Ended Bit**  
(1791)



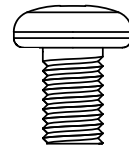
**1pc. #2 Square Drive Bit**  
(FS 2824)



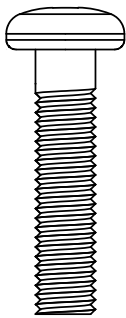
**1pc. #3 Square Drive Double Ended Wrench**  
(1790)



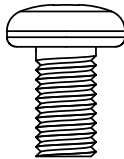
**46pc. 5/16 x 1/2" Pan Bolt**  
(1784Z-BK)



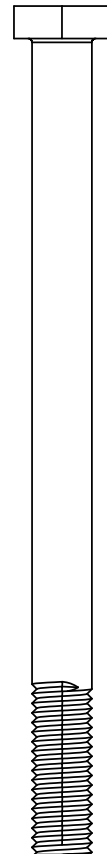
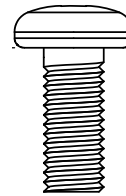
**17pc. 5/16 x 1-3/8" Pan Bolt**  
(1781Z-BK)



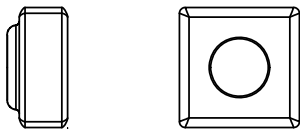
**42pc. 5/16 x 9/16" Pan Bolt**  
(1783Z-BK)



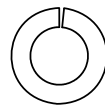
**2pc. 5/16 x 3/4" Pan Bolt**  
(1782Z-BK)



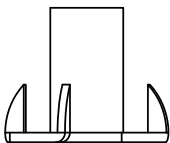
**42pc. 5/16" Square Lock Nut**  
(1785Z-BK)



**1pc. 5/16" Lock Washer**  
(1332Z-BK)



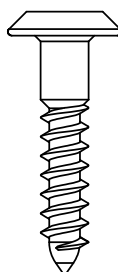
**1pc. 5/16" T-Nut** (1381Z-BK)



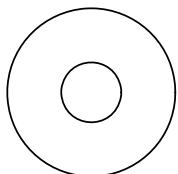
**8pc. #8 x 2-1/4" Wood Screw**  
(1723Z-BK)



**20pc. 1/4 x 1-1/4" Wafer Head Lag Screw**  
(1786Z-BK)

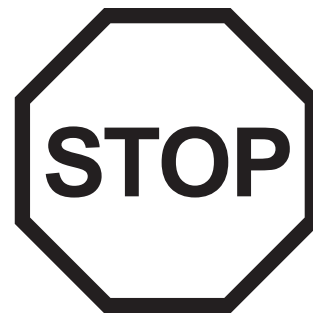
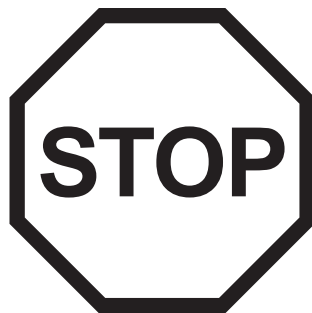
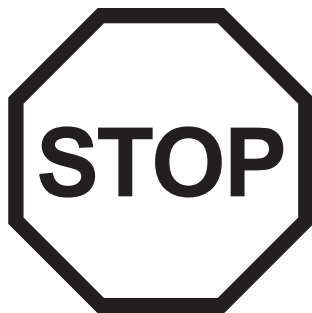


**1pc. 5/16" Washer**  
(1336Z-BK)



**1pc. 5/16 x 4-1/4" Hex Bolt**  
(1733Z-BK)

# Step 1: Inventory Parts - Read This Before Starting Assembly



- A.** This is the time for you to inventory all your hardware, wood and accessories, referencing the parts identification sheets. This will assist you with your assembly.
- Each step indicates which bolts and/or screws you will need for assembly, as well as any flat washers, lock washers, t-nuts or lock nuts.
- B.** If there are any missing or damaged pieces or you need assistance with assembly please contact the consumer relations department directly. Contact us before going back to the store.

**[www.gorillaplaysets.com/customer-care](http://www.gorillaplaysets.com/customer-care)**

- C.** Read the assembly manual completely, paying special attention to ANSI warnings; notes; and safety/maintenance information on pages 2 - 16.
- Follow the instructions in order.
  - This structure is designed to be assembled and installed ideally by three people, DO NOT attempt to install alone.
  - Consider the slope of elevation where you plan to install the structure. Also, check for gas, telephone, other utilities or sprinkler line locations prior to excavating any holes.
- D.** Before you discard your cartons fill out the form below.
- The carton I.D. stamp is located on the end of each carton.
  - Please retain this information for future reference. You will need this information if you contact the Consumer Relations Department.

**PRODUCT NUMBER: GM52004**

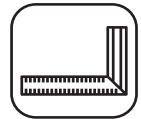
CARTON I.D. STAMP: \_\_ \_\_ \_\_ \_\_ \_\_ 14459 \_\_ (Box 1)

CARTON I.D. STAMP: \_\_ \_\_ \_\_ \_\_ \_\_ 14459 \_\_ (Box 2)

CARTON I.D. STAMP: \_\_ \_\_ \_\_ \_\_ \_\_ 14459 \_\_ (Box 3)

CARTON I.D. STAMP: \_\_ \_\_ \_\_ \_\_ \_\_ 14459 \_\_ (Box 4)

## Step 2: Front Wall Assembly



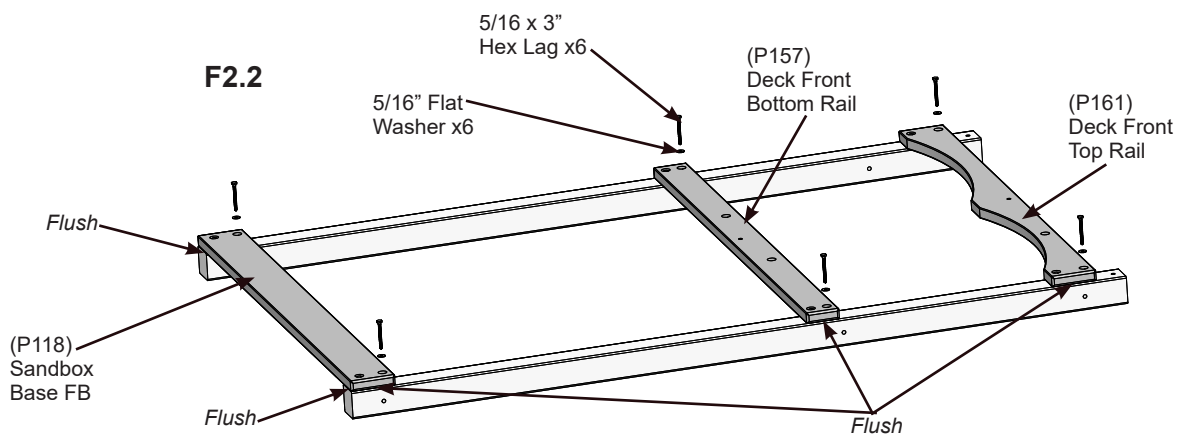
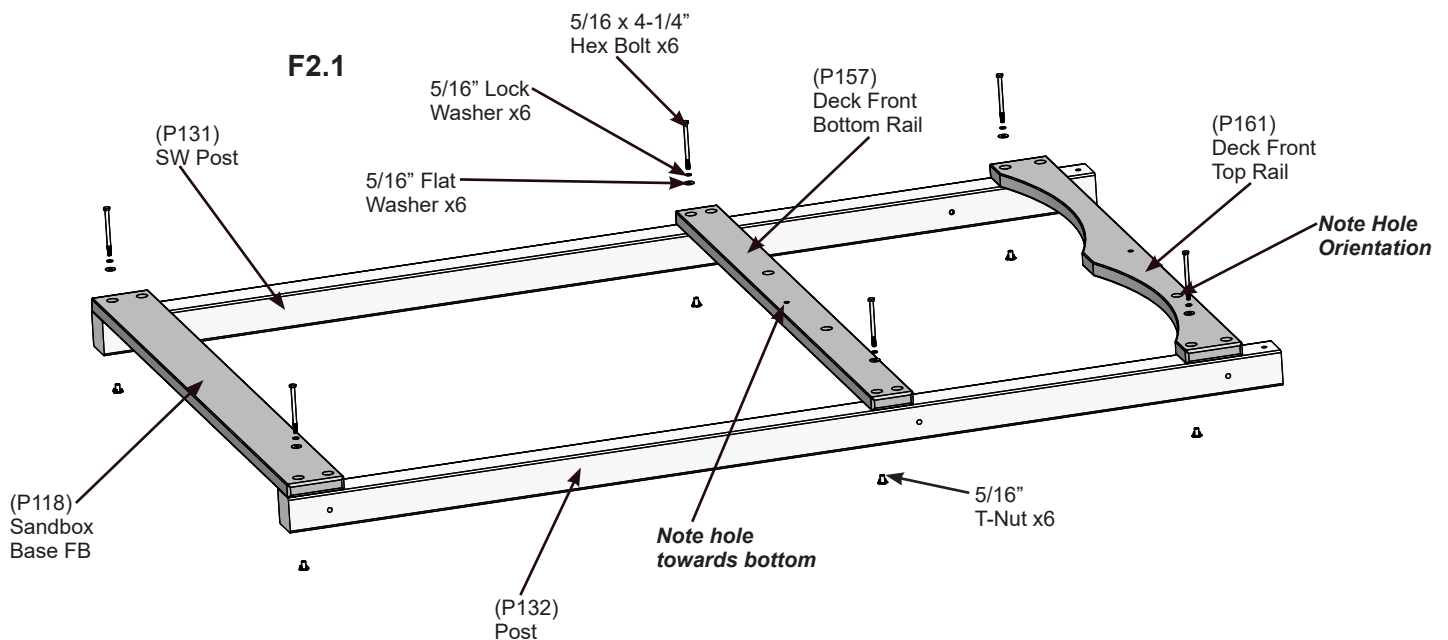
**Note: Pre-drill all pilot holes using a 1/8" drill bit before installing Hex Lag.**

**A:** Lay (P131) SW Post and (P132) Post, ensuring (P131) SW Post is on the left. Place (P118) Sandbox Base FB, (P157) Deck Front Bottom Rail, and (P161) Deck Front Top Rail on top of posts. (F2.1)

**B:** Connect (P118) Sandbox Base FB, (P157) Deck Front Bottom Rail, and (P161) Deck Front Top Rail to posts using two 5/16 x 4-1/4" Hex Bolts (with 5/16" lock washer, 5/16" flat washer, 5/16" t-nut) in bottom holes. (F2.1)

**C:** Ensure ends are flush and frame is square. Attach using 5/16 x 3" Hex Lag (with 5/16" flat washer). (F2.2)

**D:** Tighten all bolts.



### Wood Parts

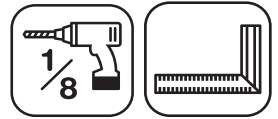
- 1 x (P118) Sandbox Base FB
- 1 x (P131) SW Post
- 1 x (P132) Post
- 1 x (P157) Deck Front Bottom Rail

- 1 x (P161) Deck Front Top Rail

### Hardware

- 6 x 5/16 x 4-1/4" Hex Bolt  
(with 5/16" lock washer, 5/16" flat washer, 5/16" t-nut)
- 6 x 5/16 x 3" Hex Lag (with 5/16" flat washer)

# Step 3: Back Wall Assembly



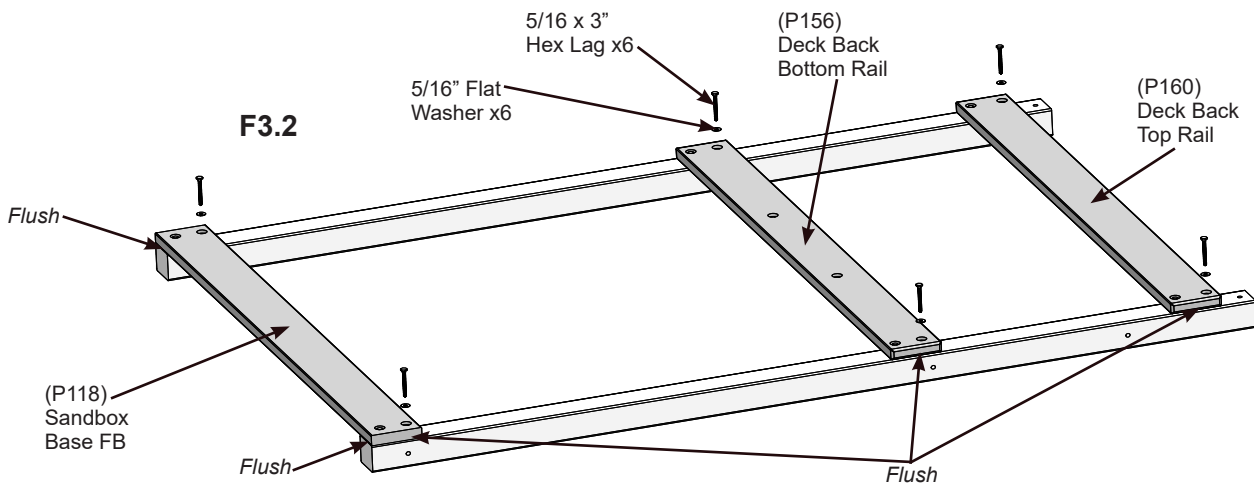
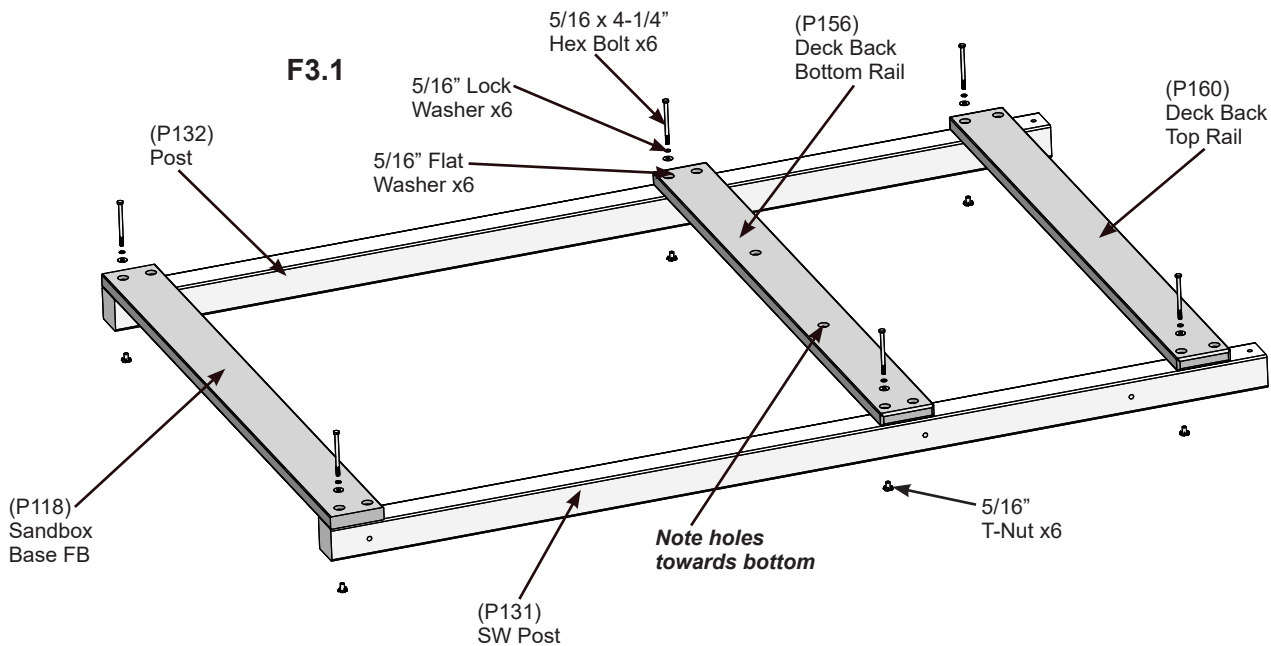
**Note:** Pre-drill all pilot holes using a 1/8" drill bit before installing Hex Lag.

**A:** Lay (P131) SW Post and (P132) Post, ensuring (P131) SW Post is on the right. Place (P118) Sandbox Base FB, (P156) Deck Back Bottom Rail, and (P160) Deck Back Top Rail on top of posts. (F3.1)

**B:** Connect (P118) Sandbox Base FB, (P156) Deck Back Bottom Rail, and (P160) Deck Back Top Rail to posts using two 5/16 x 4-1/4" Hex Bolts (with 5/16" lock washer, 5/16" flat washer, 5/16" t-nut) in bottom holes. (F3.1)

**C:** Ensure ends are flush and frame is square. Attach using 5/16 x 3" Hex Lag (with 5/16" flat washer). (F3.2)

**D:** Tighten all bolts.



### Wood Parts

- 1 x (P118) Sandbox Base FB
- 1 x (P131) SW Post
- 1 x (P132) Post
- 1 x (P156) Deck Back Bottom Rail

- 1 x (P160) Deck Back Top Rail

### Hardware

- 6 x 5/16 x 4-1/4" Hex Bolt  
(with 5/16" lock washer, 5/16" flat washer, 5/16" t-nut)
- 6 x 5/16 x 3" Hex Lag (with 5/16" flat washer)

# Step 4: Frame Assembly

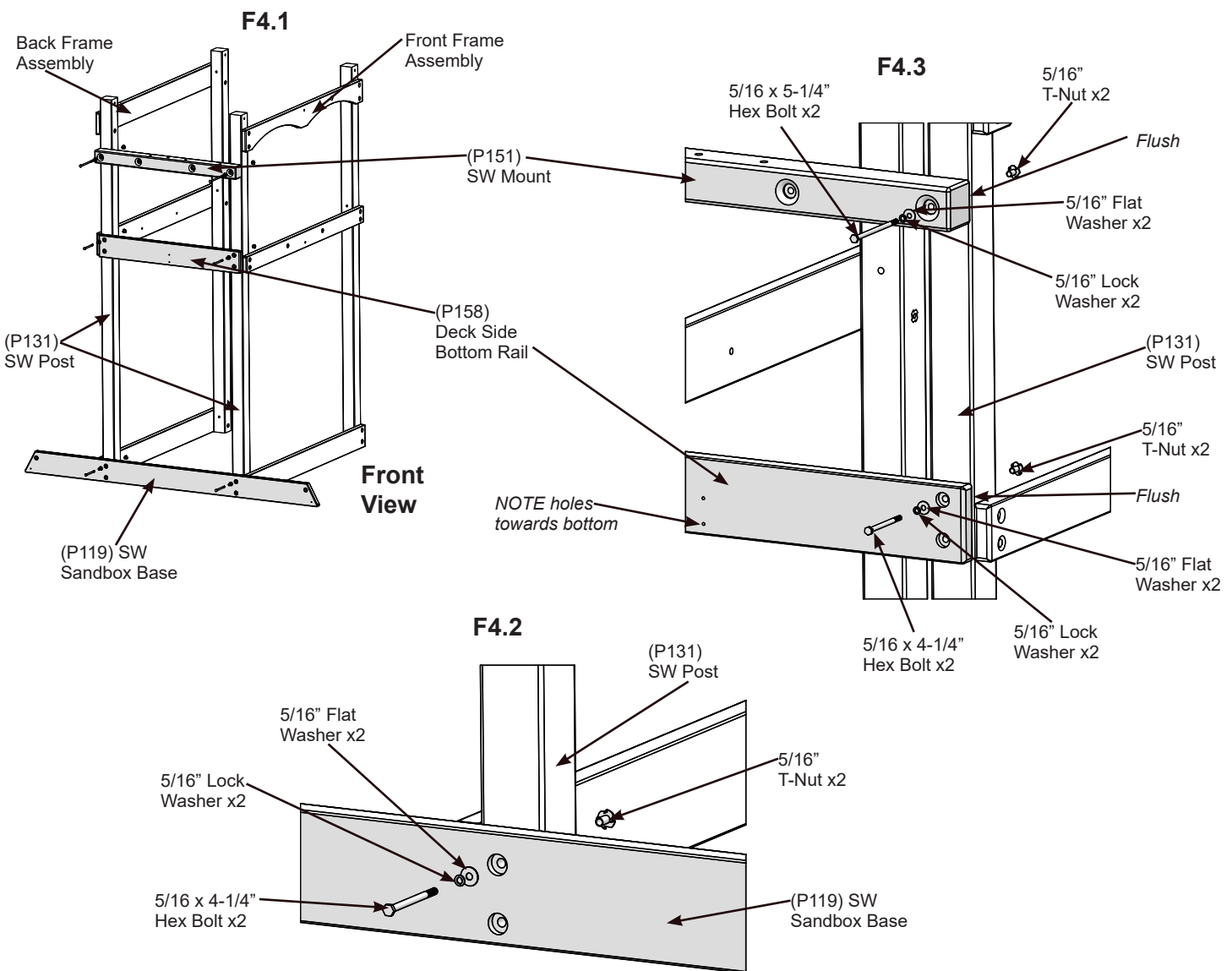


## Part 1

**A:** With at least one helper, stand the assemblies so the Front Wall Assembly is on the right and the Back Wall Assembly is on the left. Place (P119) SW Sandbox Base along the bottom of the Wall Assemblies. Align the center bolt holes with the posts and loosely attach with two 5/16 x 4-1/4" Hex Bolts (with 5/16" lock washer, 5/16" flat washer and 5/16" t-nut). (F4.1 and F4.2)

**B:** Place (P158) Deck Side Bottom Rail across the center of the assembly taking note of the hole orientation. Align the bolt holes then loosely attach in top holes using two 5/16 x 4-1/4" Hex Bolts (with 5/16" lock washer, 5/16" flat washer and 5/16" t-nut). (F4.1 and F4.3)

**C:** Place (P151) SW Mount across the assembly as shown in F4.1, making sure the countersink holes are on the outside. Loosely attach using two 5/16 x 5-1/4" Hex Bolts (with 5/16" lock washer, 5/16" flat washer and 5/16" t-nut). (F4.1 and F4.3)



### Wood Parts

- 1 x (P119) SW Sandbox Base
- 1 x (P151) SW Mount
- 1 x (P158) Deck Side Bottom Rail

### Hardware

- 4 x 5/16 x 4-1/4" Hex Bolt (with 5/16" lock washer, 5/16" flat washer, 5/16" t-nut)
- 2 x 5/16 x 5-1/4" Hex Bolt (with 5/16" lock washer, 5/16" flat washer, 5/16" t-nut)

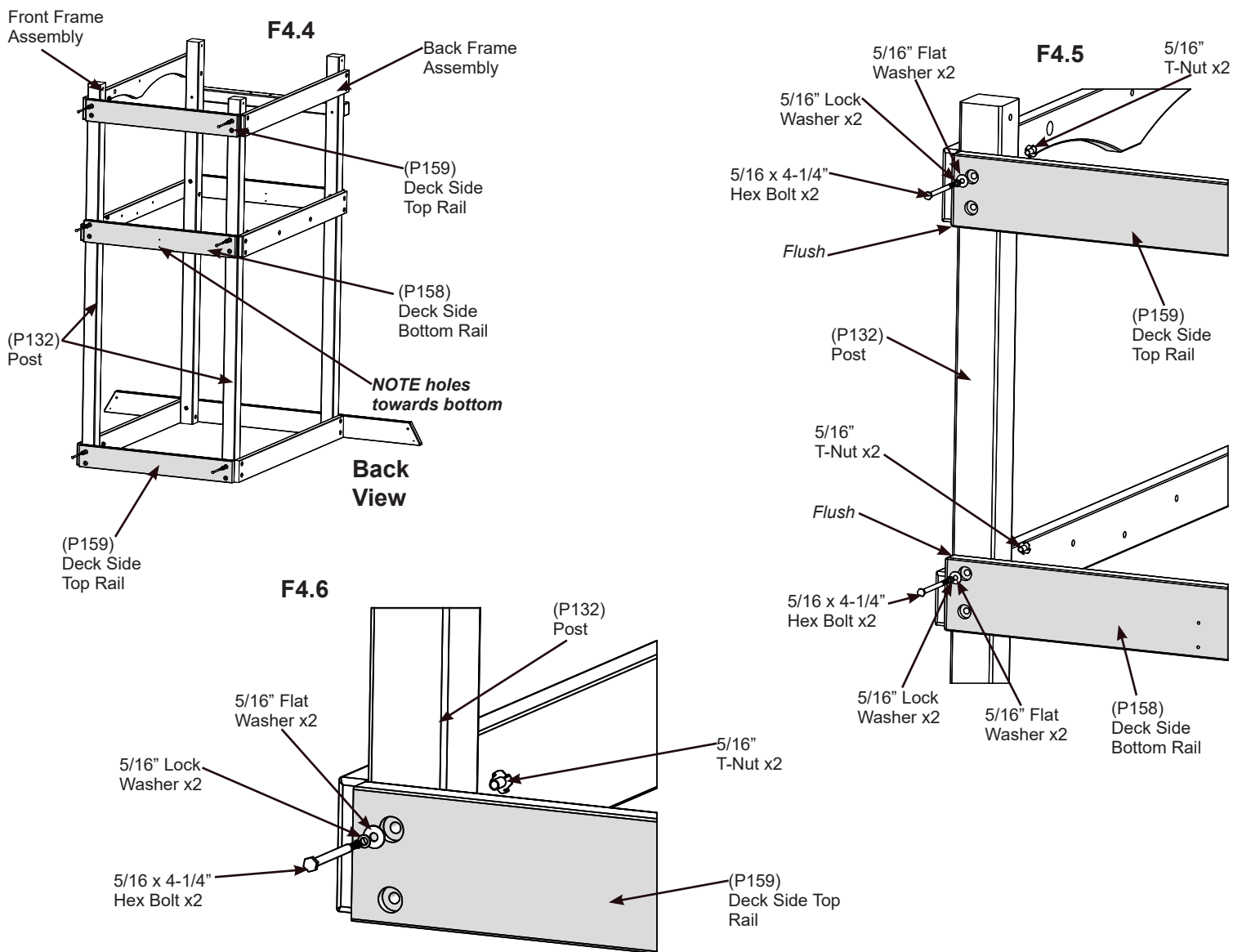
# Step 4: Frame Assembly

## Part 2



**D:** Place (P159) Deck Side Top Rails along the bottom and top of the Wall Assemblies. Align the bolt holes with the posts and loosely attach in the top holes with two 5/16 x 4-1/4" Hex Bolts (with 5/16" lock washer, 5/16" flat washer and 5/16" t-nut) per board. (F4.5, F4.5 and F4.6)

**E:** Place (P158) Deck Side Bottom Rail across the center of the assembly taking note of the hole orientation. Align the bolt holes then loosely attach top holes with two 5/16 x 4-1/4" Hex Bolts (with 5/16" lock washer, 5/16" flat washer and 5/16" t-nut). (F4.4 and F4.5)



### Wood Parts

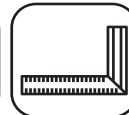
- 1 x (P158) Deck Side Bottom Rail
- 2 x (P159) Deck Side Top Rail

### Hardware

- 6 x 5/16 x 4-1/4" Hex Bolt  
(with 5/16" lock washer, 5/16" flat washer, 5/16" t-nut)

# Step 4: Frame Assembly

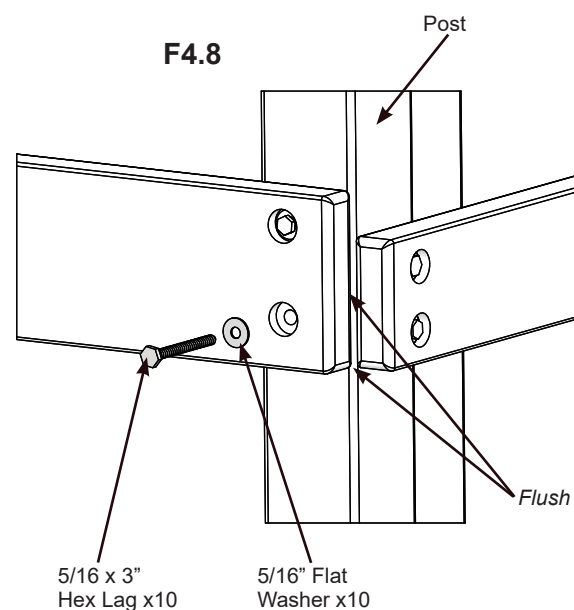
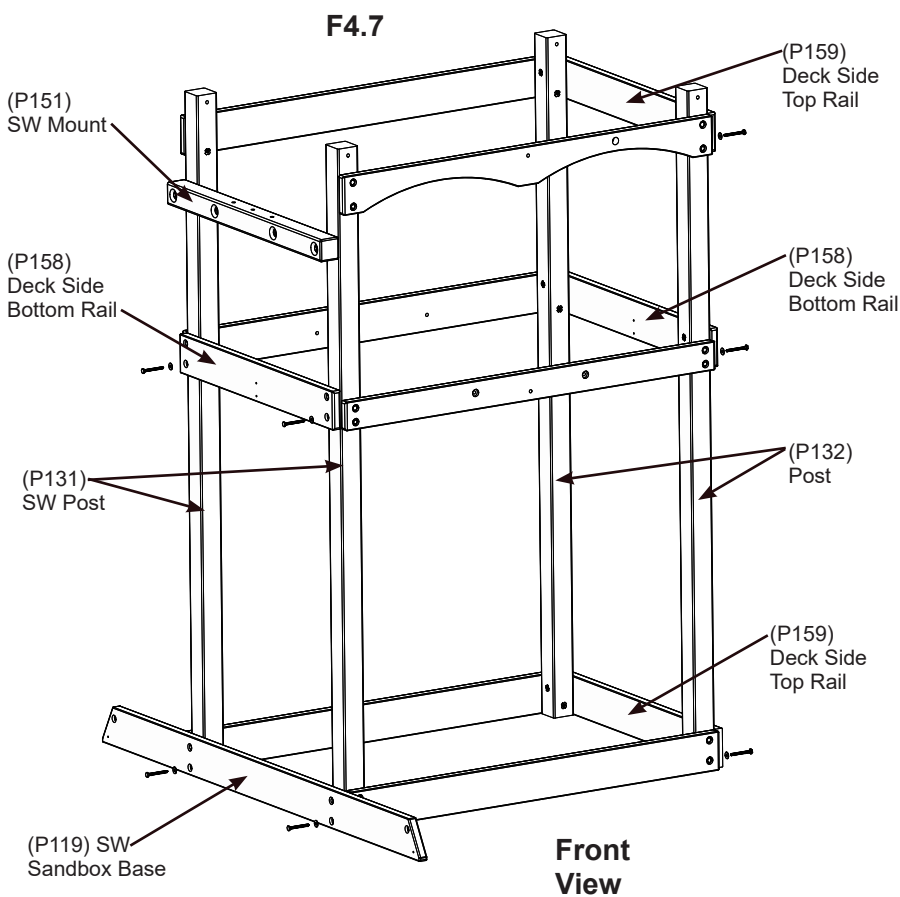
## Part 3



**Note:** Pre-drill all pilot holes using a 1/8" drill bit before installing Hex Lag.

**F:** Ensure Assembly is square and ends are flush to outside of posts. Secure frame in the bottom holes on (P159) Deck Side Top Rails, (P158) Deck Side Bottom Rails and (P119) SW Sandbox Base with ten 5/16 x 3" Hex Lags (with 5/16" Flat washer). (F4.7 and F4.8)

**G:** Tighten all bolts



### Hardware

10 x 5/16 x 3" Hex Lag (with 5/16" flat washer)

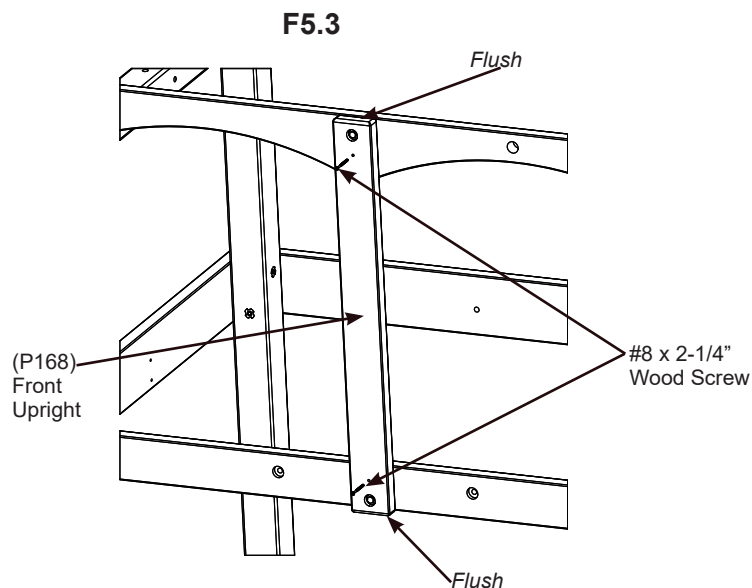
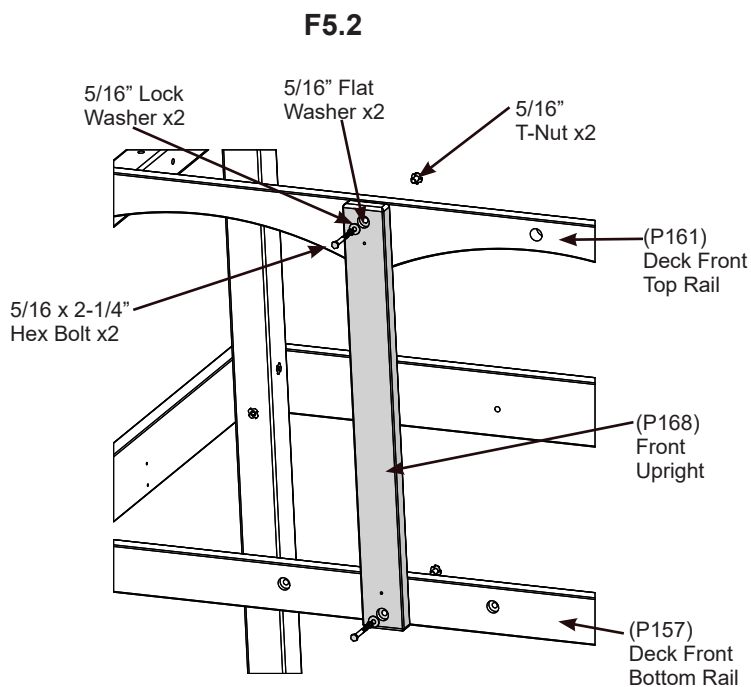
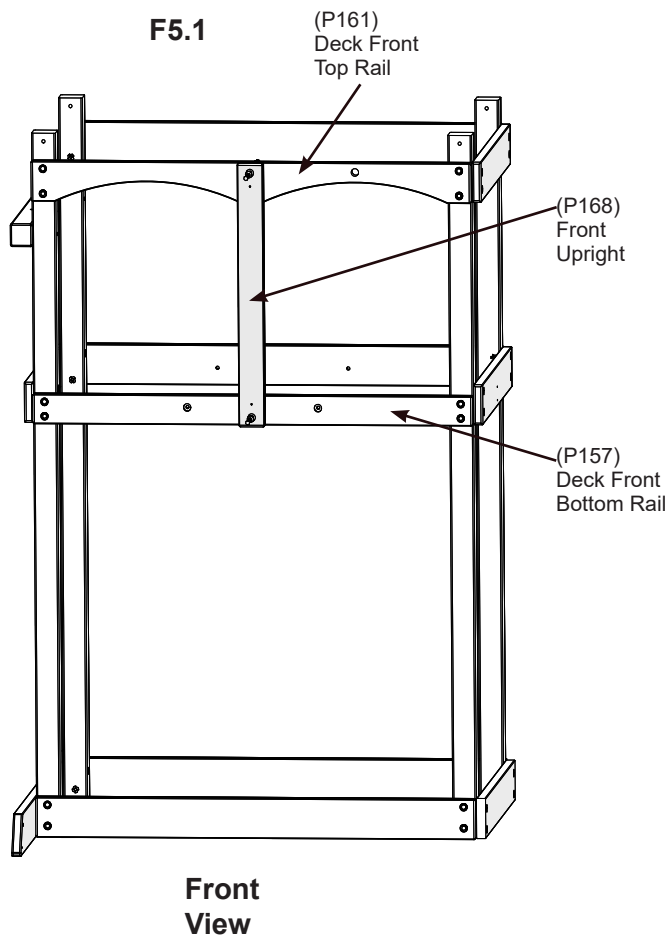


# Step 5: Front Upright



**A:** On the Front Wall Assembly, place (P168) Front Upright on (P161) Deck Front Top Rail and (P157) Deck Front Bottom Rail making sure countersink holes face out and ends are flush. Attach using two 5/16 x 2-1/4" Hex Bolts (with 5/16" Lock Washer, 5/16" Flat Washer, and 5/16" t-nut). (F5.1 and F5.2)

**B:** Secure (P168) Front Upright using two #8 x 2-1/4" Wood Screws. (F5.1 and F5.3)



### Wood Parts

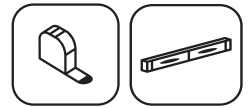
1 x (P168) Front Upright

### Hardware

2 x 5/16 x 2-1/4" Hex Bolt  
(with 5/16" lock washer, 5/16" flat washer, 5/16" t-nut)

2 x #8 x 2-1/4" Wood Screw

# Step 6: Floor Assembly Part 1

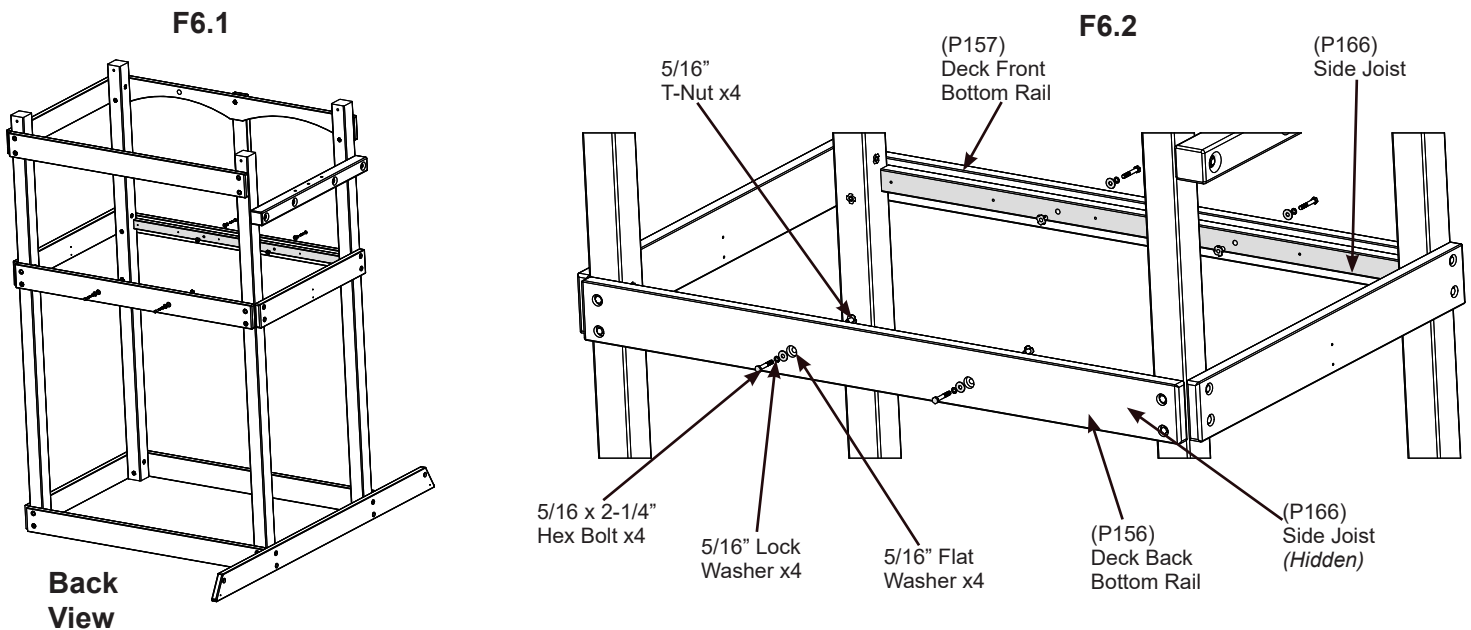


**A:** From inside the assembly, make two marks from the bottom of both (P157) Deck Front Bottom Rail and (P156) Deck Back Bottom Rail at 3-1/4" [82.5mm] up.

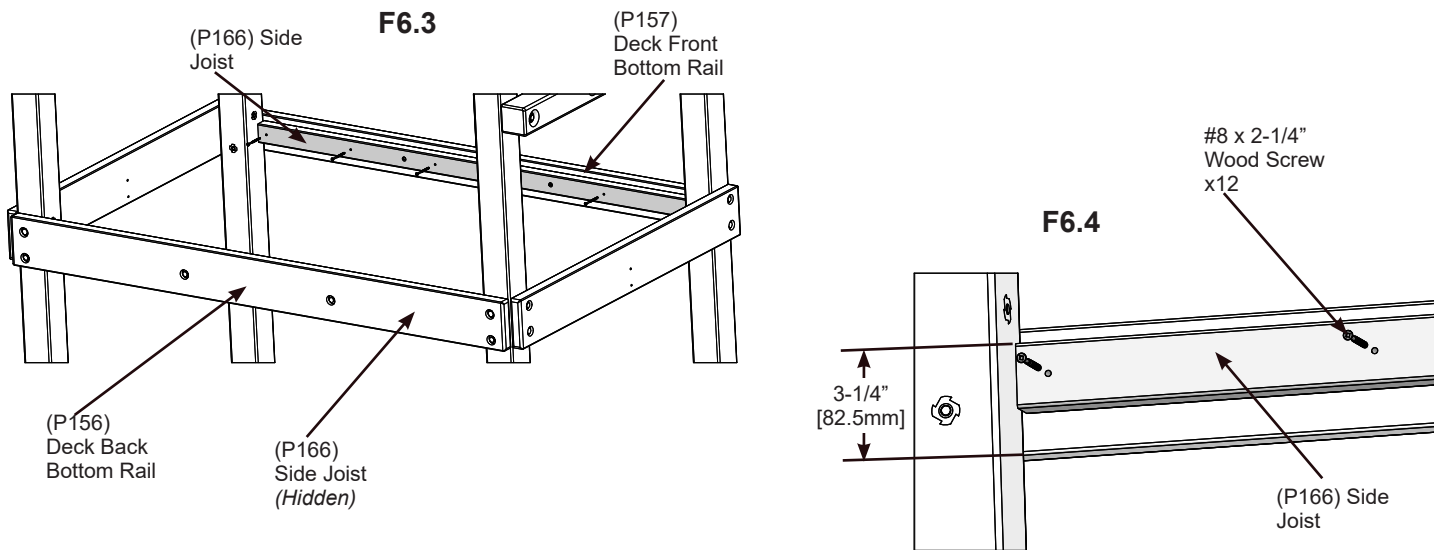
**B:** From inside the assembly, loosely attach (P166) Side Joist to the (P157) Deck Front Bottom Rail and (P156) Deck Back Bottom Rail using two 5/16 x 2-1/4 Hex Bolts (with 5/16" t-nut, 5/16" Lock Washer and 5/16" Flat washer) per joist. (F6.1 and F6.2)

**C:** Line up top of (P166) Side Joists to marks making sure joists are level and secure (P166) Side Joists with six #8 x 2-1/4" Wood Screws per Joist. (F6.3 and F6.4)

**D:** Tighten all Bolts.



**Back View**



### Wood Parts

2 x (P166) Side Joist

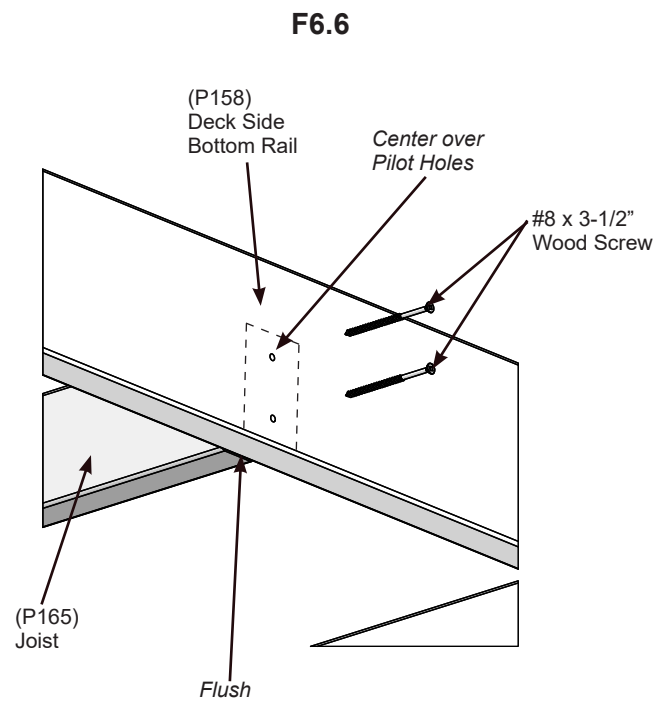
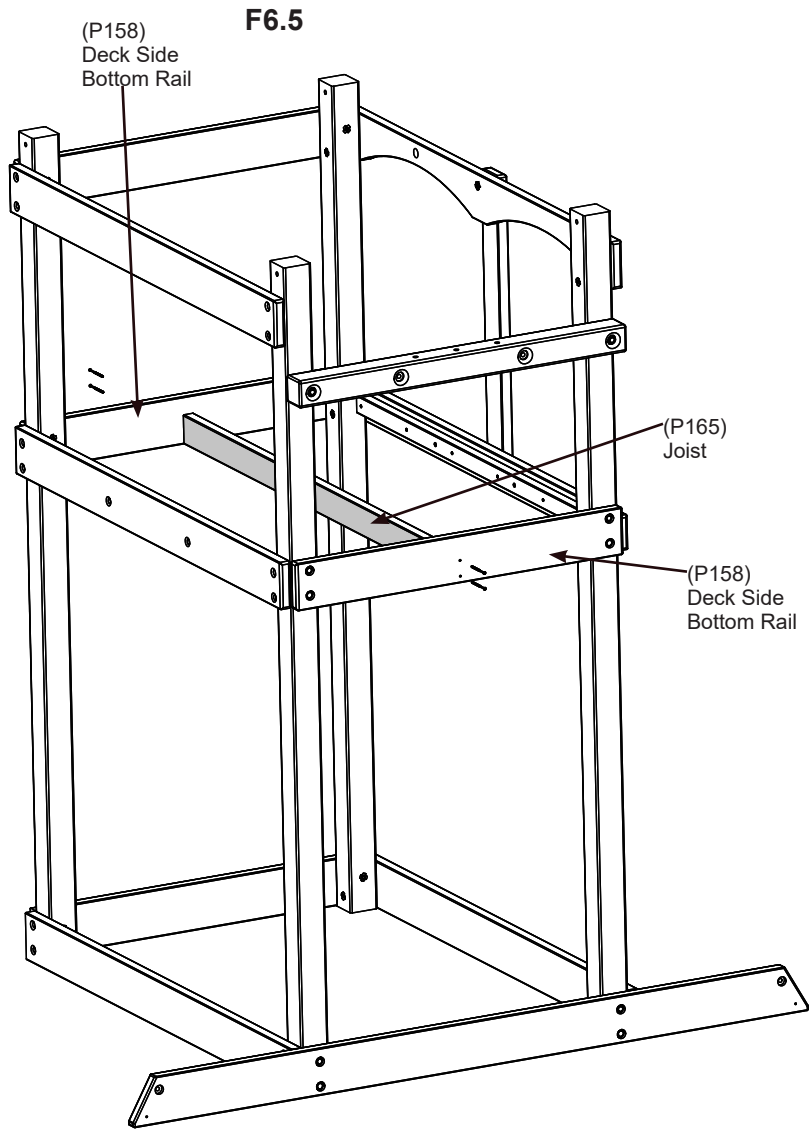
### Hardware

4 x 5/16 x 2-1/4" Hex Bolt  
(with 5/16" lock washer, 5/16" flat washer, 5/16" t-nut)

12 x #8 x 2-1/4" Wood Screw

# Step 6: Floor Assembly Part 2

**D:** Place (P165) Joist in between (P158) Deck Side Bottom Rails, centered over pilot holes and flush to the bottom. Attach using four #8 x 3-1/2" Wood Screws. (F6.5 and F6.6)



### Wood Parts

1 x (P165) Joist

### Hardware

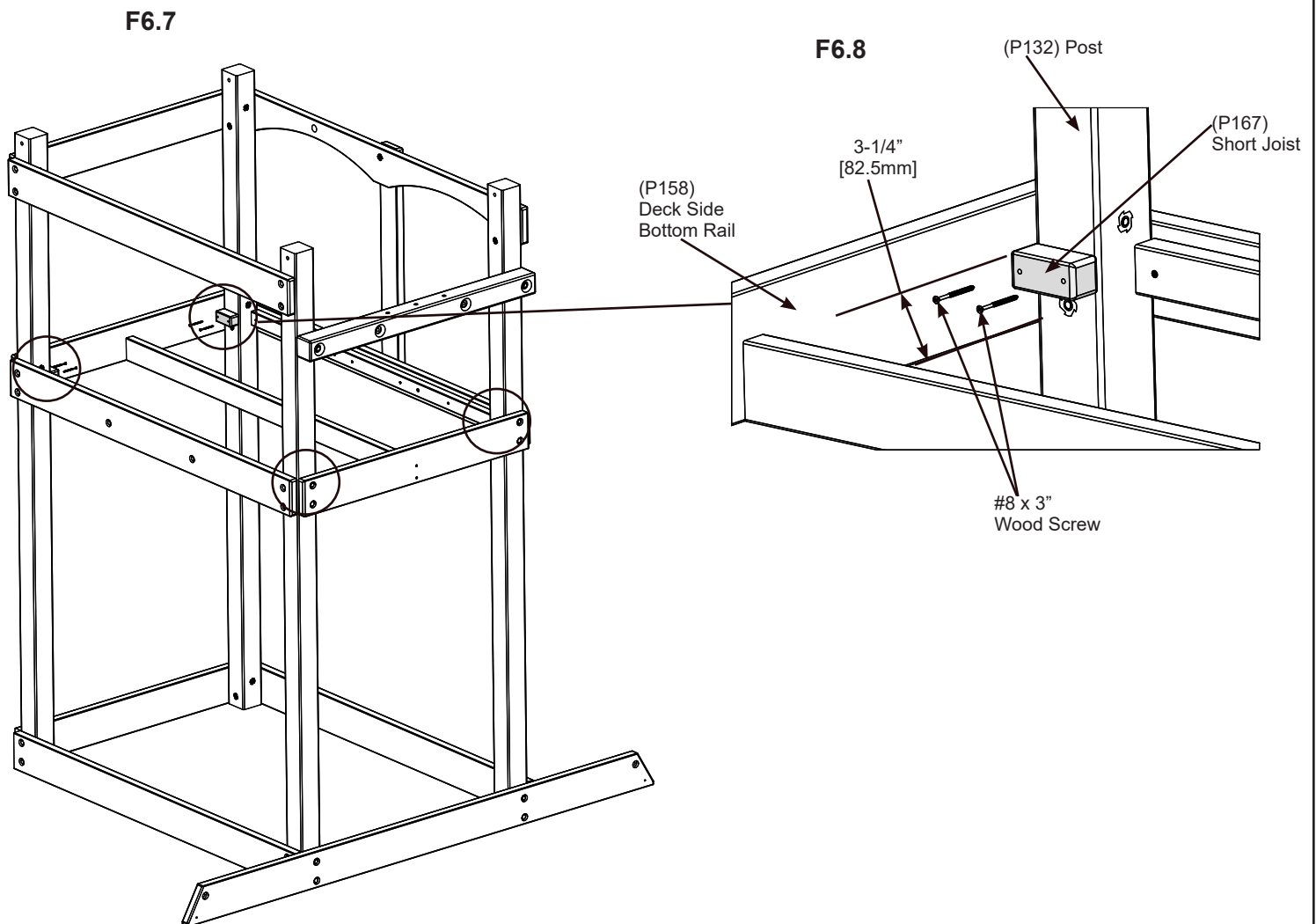
4 x #8 x 3-1/2" Wood Screw

# Step 6: Floor Assembly Part 3



**E:** On the inside of each (P132) Post and (P131) SW Post measure up 3-1/4" [82.5mm] from the bottom of (P158) Deck Side Bottom Rail and make a mark. (F6.7 and F6.8)

**F:** Attach one (P167) Short Joist to each (P132) Post and (P131) SW Post at the mark using two #8 x 3" Wood Screws per Short Joist. (F6.7 and F6.8)



### Wood Parts

4 x (P167) Short Joist

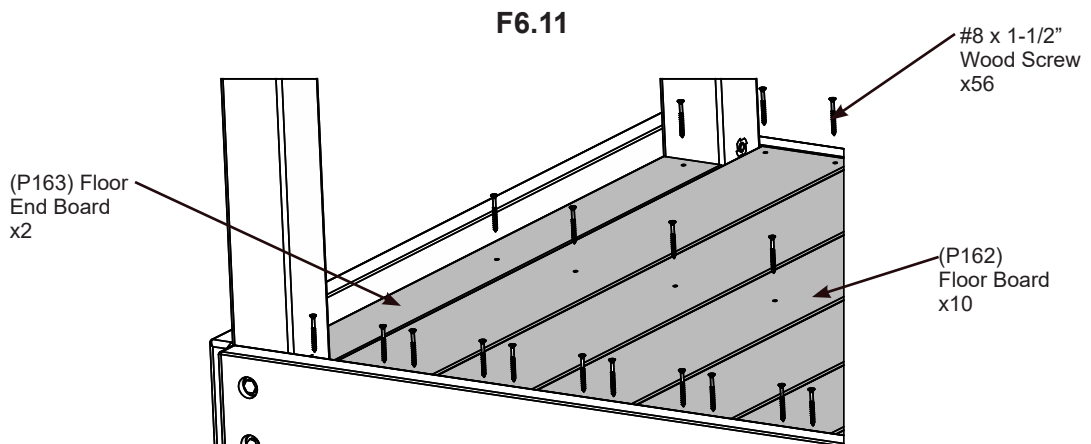
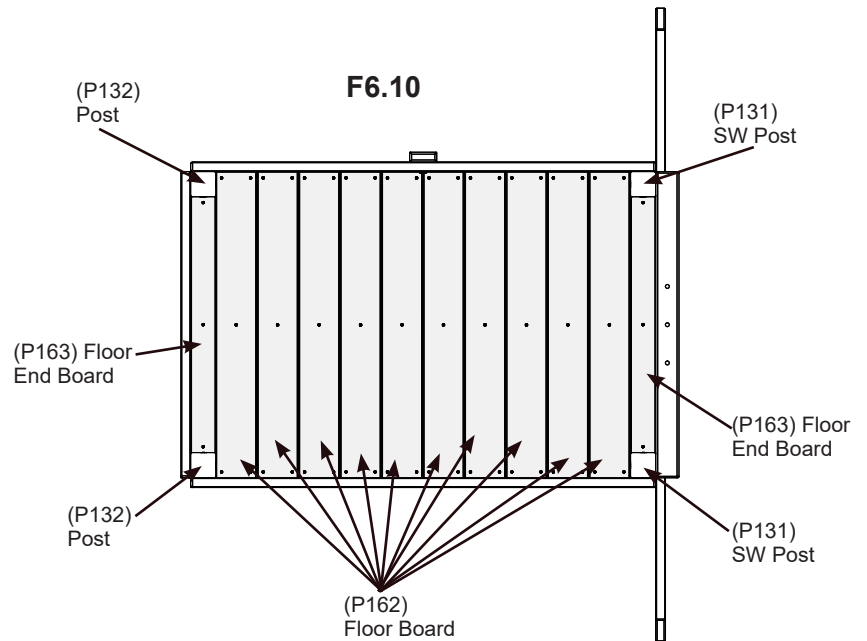
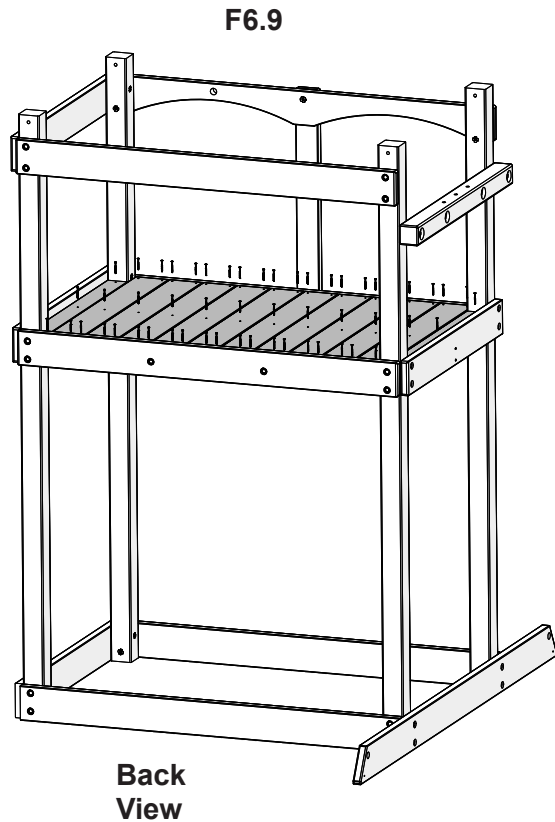
### Hardware

8 x #8 x 3" Wood Screw

# Step 6: Floor Assembly Part 4

**G:** Place one (P163) Floor End Board on each end, between the Posts and tight to (P158) Deck Side Bottom Rails. Secure (P163) Floor End Boards with three #8 x 1-1/2" Wood Screws per board. (F6.9, F6.10 and F6.11)

**H:** Evenly space ten (P162) Floor Boards between the (P163) Floor End Boards and attach using five #8 x 1-1/2" Wood Screws per board. (F6.9, F6.10 and F6.11)



### Wood Parts

- 10 x (P162) Floor Board
- 2 x (P163) Floor End Board

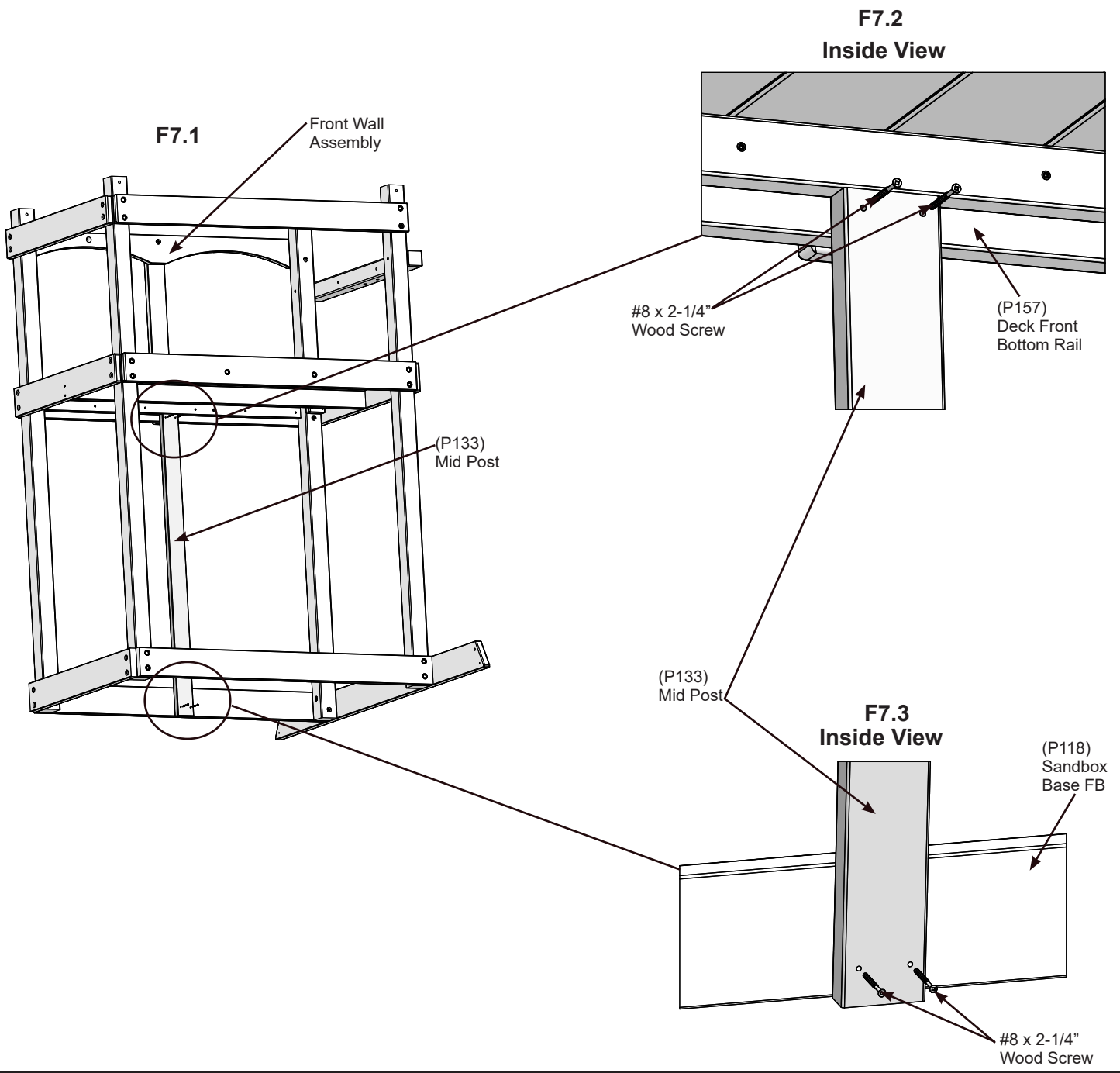
### Hardware

- 56 x #8 x 1-1/2" Wood Screw

# Step 7: Mid Post Assembly Part 1



**A:** On the inside of the Front Wall Assembly, center one (P133) Mid Post and attach with four #8 x 2-1/4" Wood Screws. (F7.1, F7.2 and F7.3)



**Wood Parts**

1 x (P133) Mid Post

**Hardware**

4 x #8 x 2-1/4" Wood Screw

# Step 7: Mid Post Assembly Part 2

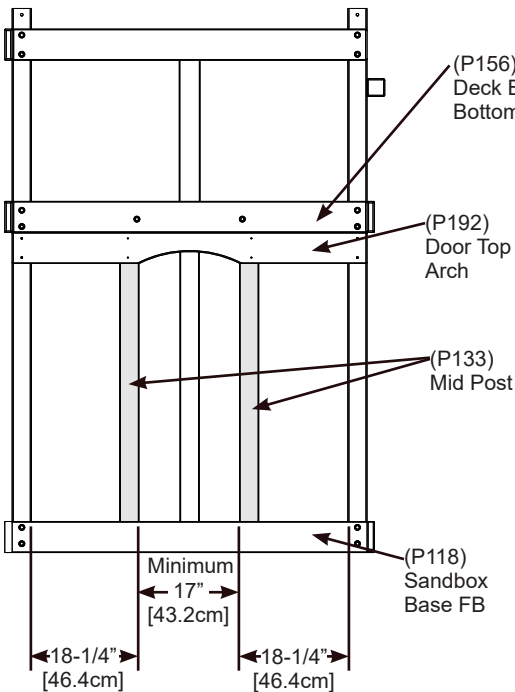


**B:** Place (P192) Door Top Arch tight below the (P156) Deck Back Bottom Rail, and secure with two #8 x 3" wood screws on each end making sure the board is flush with the posts. (F7.4 and F7.5)

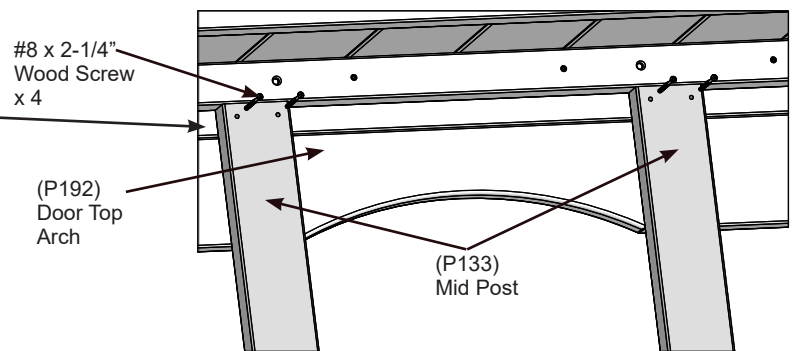
**C:** From inside measure 18-1/4" [46.4cm] from inside (P131) SW Post and (P132) Post and attach the (P133) Mid Posts to the (P156) Deck Back Bottom Rail and (P118) Sandbox Base FB and using four #8 x 2-1/4" Wood Screws on each board. Leaving minimum 17" [43.2cm] apart. (F7.4, F7.6 and F7.7)

**D:** Finish securing (P133) Mid Posts by using four #8 x 2-1/4" Wood Screws into predilled holes on (P192) Door Top Arch. (F7.4 and F7.8)

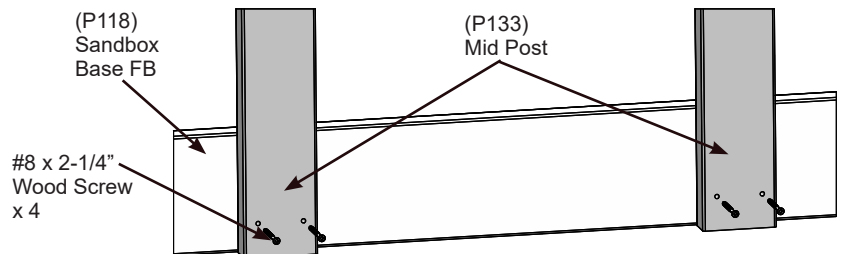
**F7.4  
Back View**



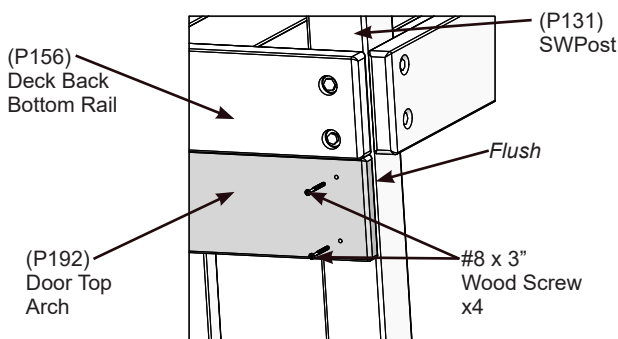
**F7.6  
Inside View**



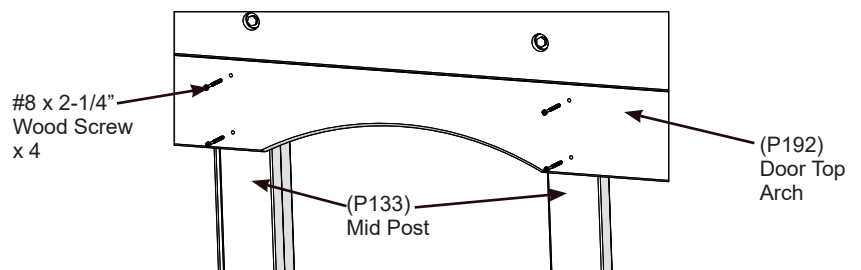
**F7.7  
Inside View**



**F7.5**



**F7.8**



**Hardware**

- 2 x (P133) Mid Post
- 1 x (P192) Door Top Arch

- 12 x #8 x 2-1/4" Wood Screw
- 4 x #8 x 3" Wood Screw

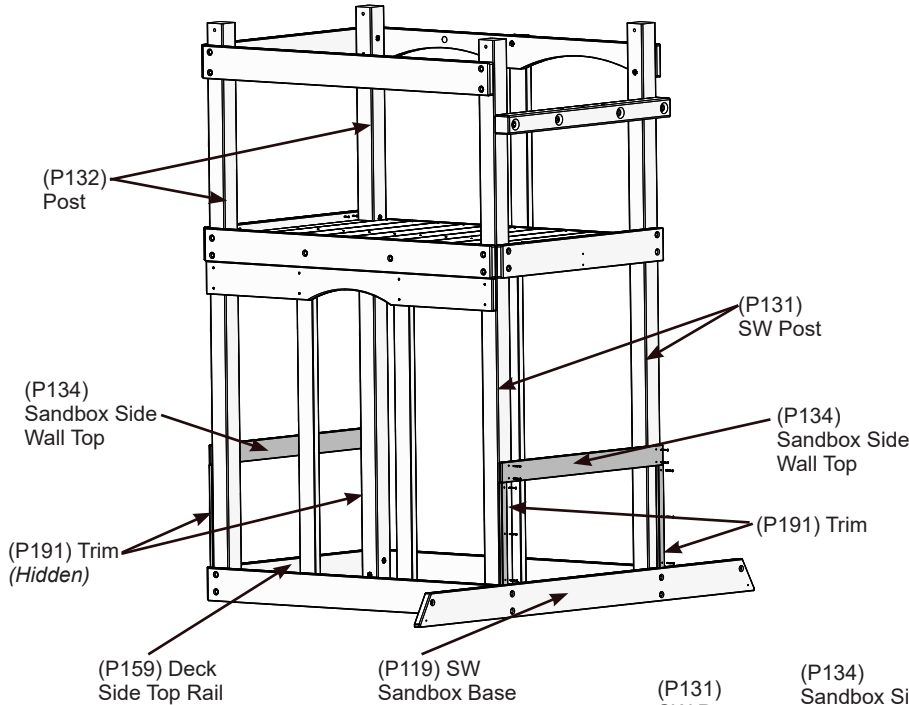
# Step 8: Install Siding

## Part 1

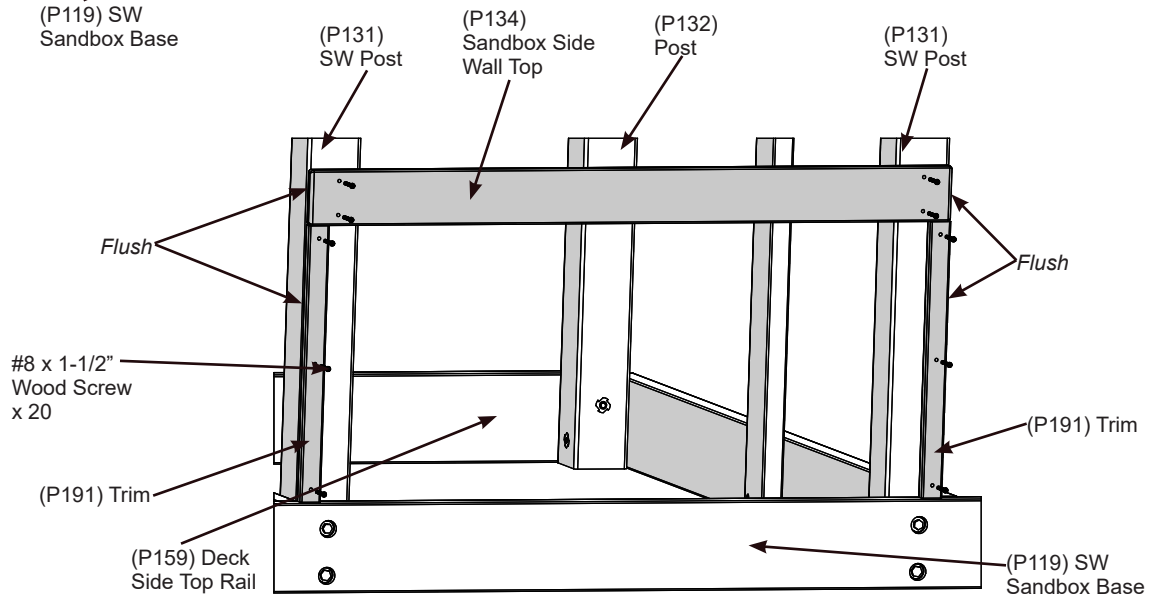
**A:** From outside of the Side Wall Assemblies, place one (P191) Trim on the (P119) SW Sandbox Base and (P159) Deck Side Top Rail so that they are flush with the outside edge of each (P131) SW Post and (P132) Post, then attach using three #8 x 1-1/2" Wood Screws per trim. (F8.1 and F8.2)

**B:** Place a (P134) Sandbox Side Wall Top across the top of both (P191) Trims so the ends are flush. Attach using four #8 x 1-1/2" Wood Screws. (F8.1 and F8.2)

**F8.1**



**F8.2**



### Wood Parts

- 2 x (P134) Sandbox Side Wall Top
- 4 x (P191) Trim

### Hardware

- 20 x #8 x 1-1/2" Wood Screw



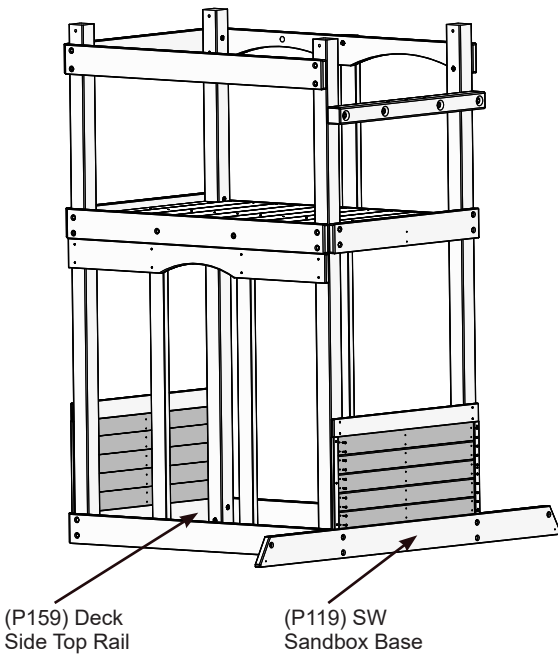
## Step 8: Install Siding Part 2

**C:** Place (P124) Side Wall Siding Bottoms along the top of (P119) SW Sandbox Base and (P159) Deck Side Top Rail between (P191) Trims and attach with four #8 x 7/8" Truss Screws per board. (F8.3 and F8.4)

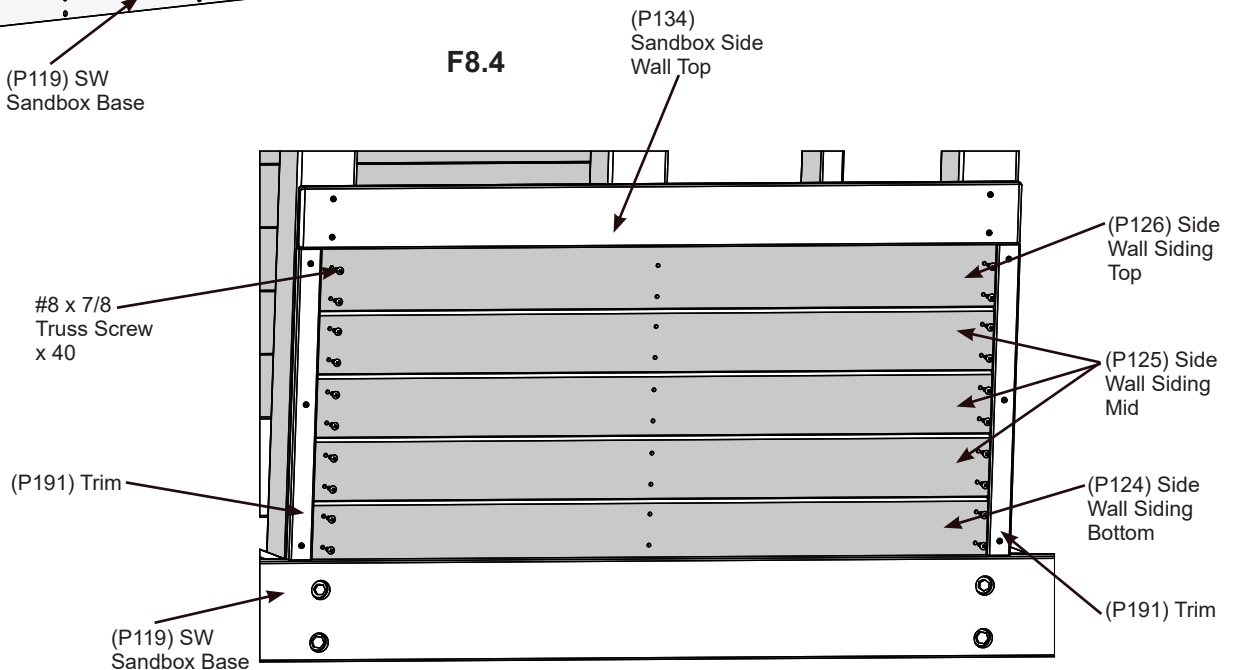
**D:** Fit (P126) Side Wall Siding Tops between the (P191) Trims, making sure it's tight to (P134) Sandbox Side Wall Top. Attach using four #8 x 7/8" Truss Screws. (F8.3 and F8.4)

**E:** Evenly space three (P125) Side Wall Siding Mid into the open spaces, so the notches fit tight together. Attach with four #8 x 7/8" Truss Screws per board. (F8.3 and F8.4)

**F8.3**



**F8.4**



### Wood Parts

- 2 x (P124) Side Wall Siding Bottom
- 6 x (P125) Side Wall Siding Mid
- 2 x (P126) Side Wall Siding Top

### Hardware

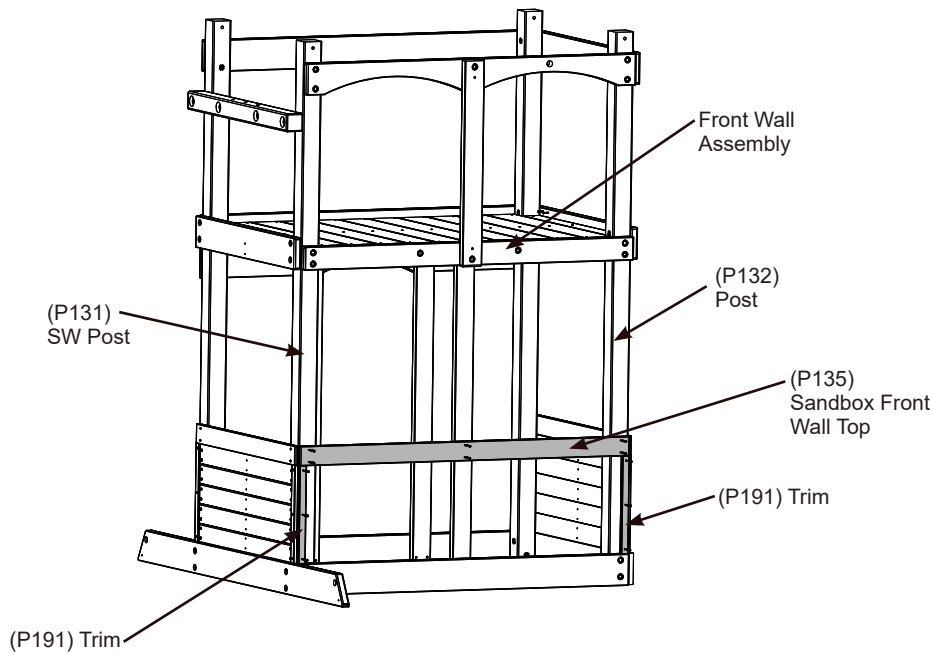
- 40 x #8 x 7/8" Truss Screw

## Step 8: Install Siding Part 3

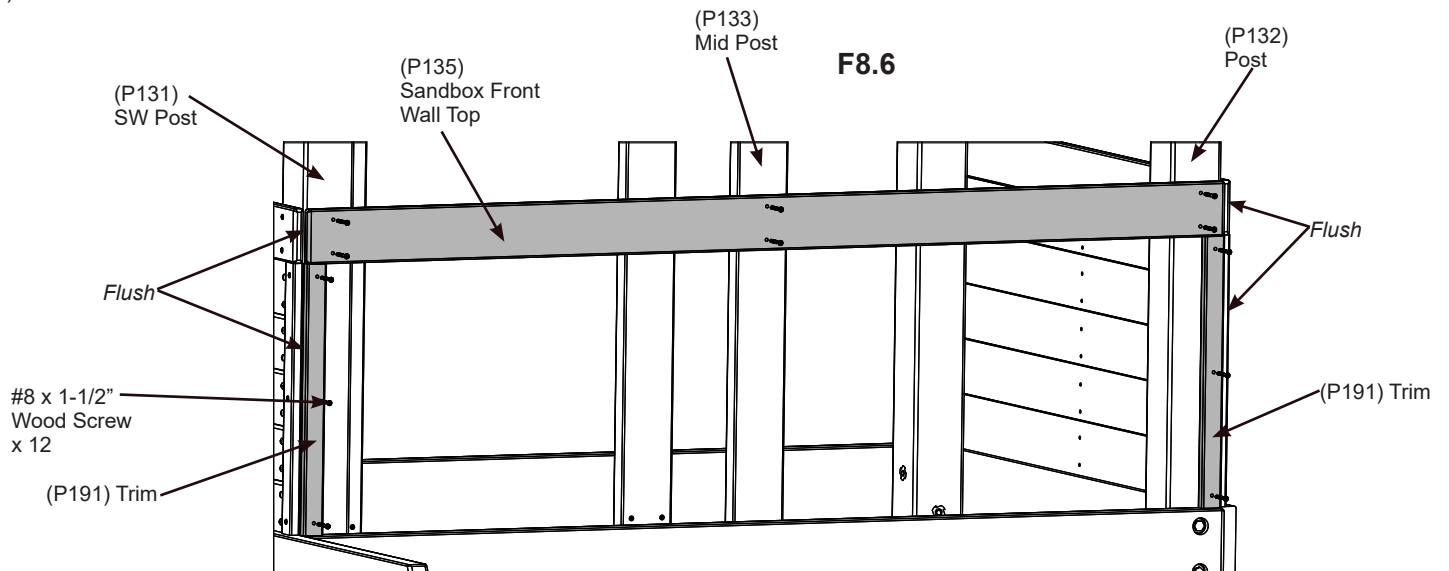
**F:** From outside the Front Wall Assembly, place one (P191) Trim on the (P132) Post and (P131) SW Post so that it's flush with the outside edge, then attach using three #8 x 1-1/2" Wood Screws per trim. (F8.5 and F8.6)

**G:** Place (P135) Sandbox Front Wall Top across the top of both (P191) Trims so the ends are flush. Attach using six #8 x 1-1/2" Wood Screws. (F8.5 and F8.6)

**F8.5**



**F8.6**



### Wood Parts

- 1 x (P135) Sandbox Front Wall Top
- 2 x (P191) Trim

### Hardware

- 12 x #8 x 1-1/2" Wood Screw

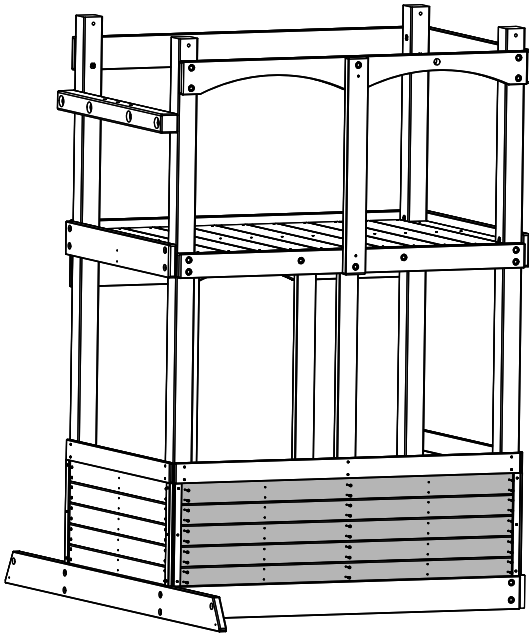
# Step 8: Install Siding Part 4

**H:** Place (P121) Front Wall Siding Bottom along the top of (P118) SW Sandbox Base FB between (P191) Trims. Attach with six #8 x 7/8" Truss Screws. (F8.7 and F8.8)

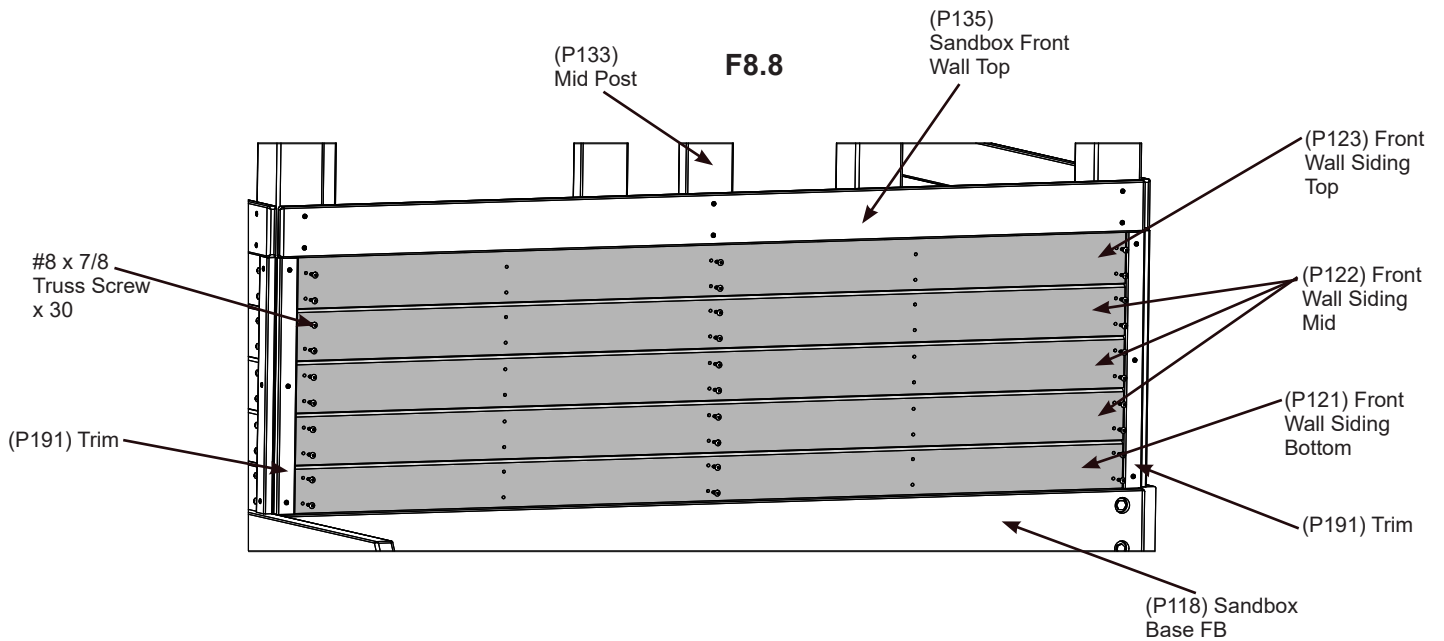
**I:** Fit (P023) Front Wall Siding Top between the (P191) Trims, making sure it's tight to (P135) Sandbox Front Wall Top. Attach using six #8 x 7/8" Truss Screws. (F8.7 and F8.8)

**J:** Evenly space three (P122) Siding into the open space, so the notches fit tight together. Attach with six #8 x 7/8" Truss Screws per board. (F8.7 and F8.8)

**F8.7**



**F8.8**



**Wood Parts**

- 1 x (P121) Front Wall Siding Bottom
- 3 x (P122) Front Wall Siding Mid
- 1 x (P123) Front Wall Siding Top

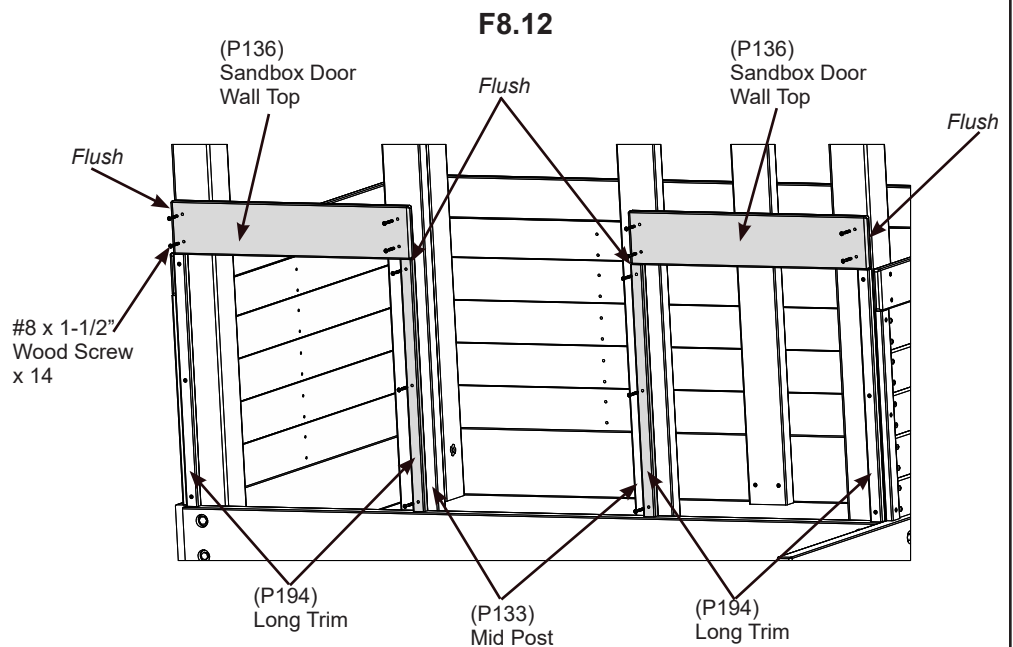
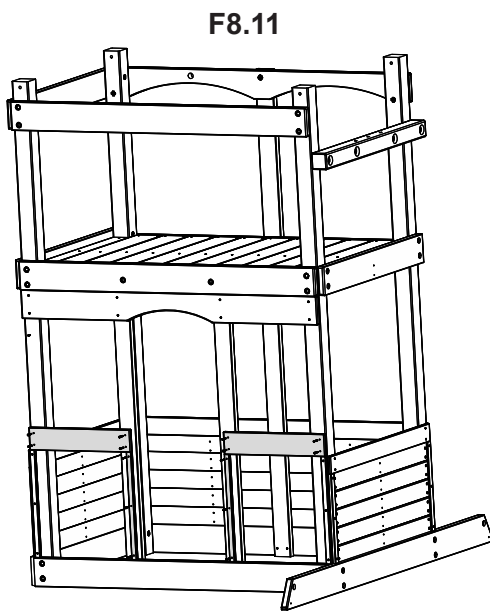
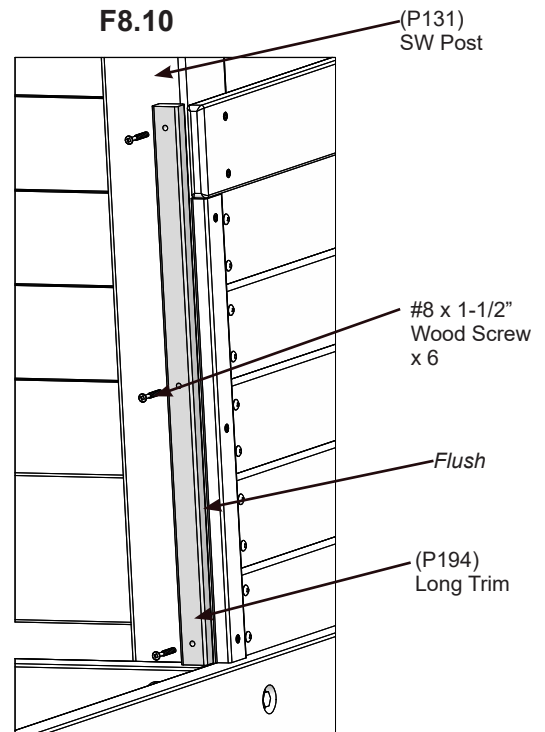
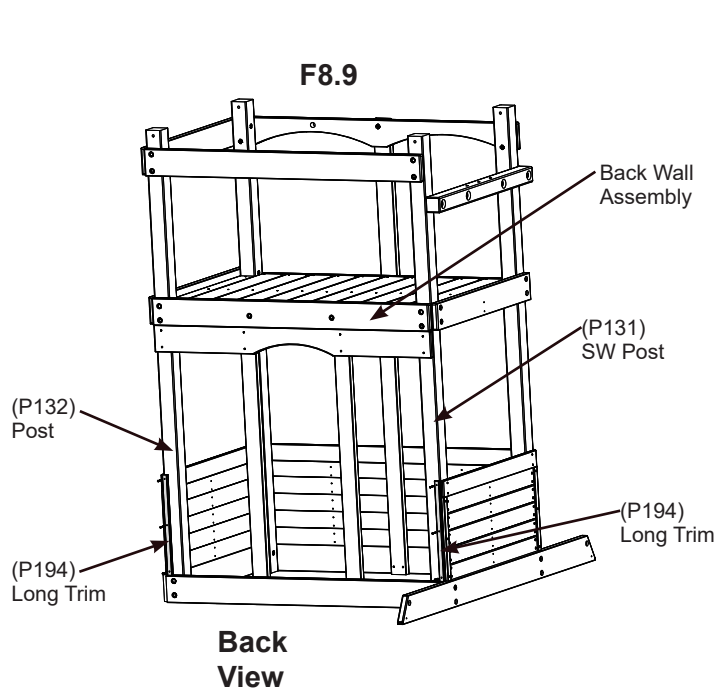
**Hardware**

- 30 x #8 x 7/8" Truss Screw

# Step 8: Install Siding Part 5

**K:** Attach one (P194) Long Trim so it's flush with the outside edge of (P131) SW Post using three #8 x 1-1/2" Wood Screws. (F8.9 and F8.10)

**L:** Place (P136) Sandbox Door Wall Top on top of one (P194) Long Trim so the end is flush. On the (P133) Mid Post place one (P194) Long Trim flush to the end of (P136) Sandbox Door Wall Top and attach with seven #8 x 1-1/2" Wood Screws. (F8.9, F8.11 and F8.12)



### Wood Parts

- 2 x (P136) Sandbox Door Wall Top
- 4 x (P194) Long Trim

### Hardware

- 20 x #8 x 1-1/2" Wood Screw

# Step 8: Install Siding Part 6

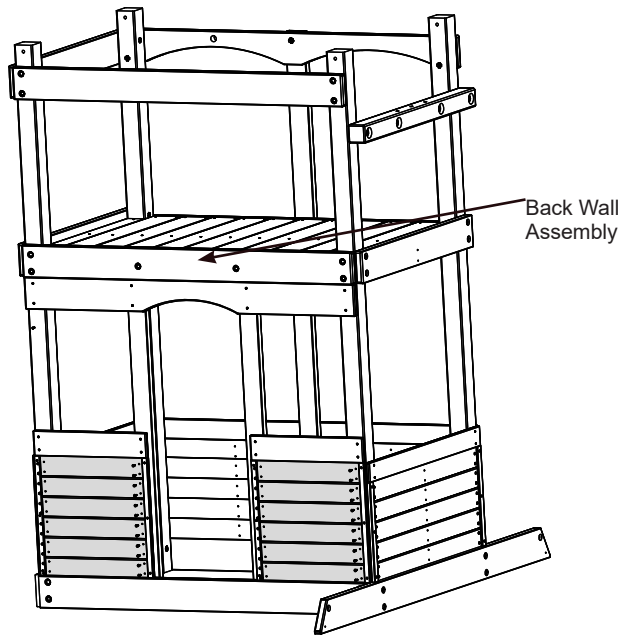
**M:** Place one (P127) Door Wall Siding Bottom along the top of (P118) Sandbox Base FB between (P194) Long Trims. Attach with four #8 x 7/8" Truss Screws. (F8.13 and F8.14)

**N:** Fit (P129) Door Wall Siding Top between the (P194) Long Trims, making sure it's tight to (P136) Sandbox Door Wall Top. Attach using four #8 x 7/8" Truss Screws. (F8.13 and F8.14)

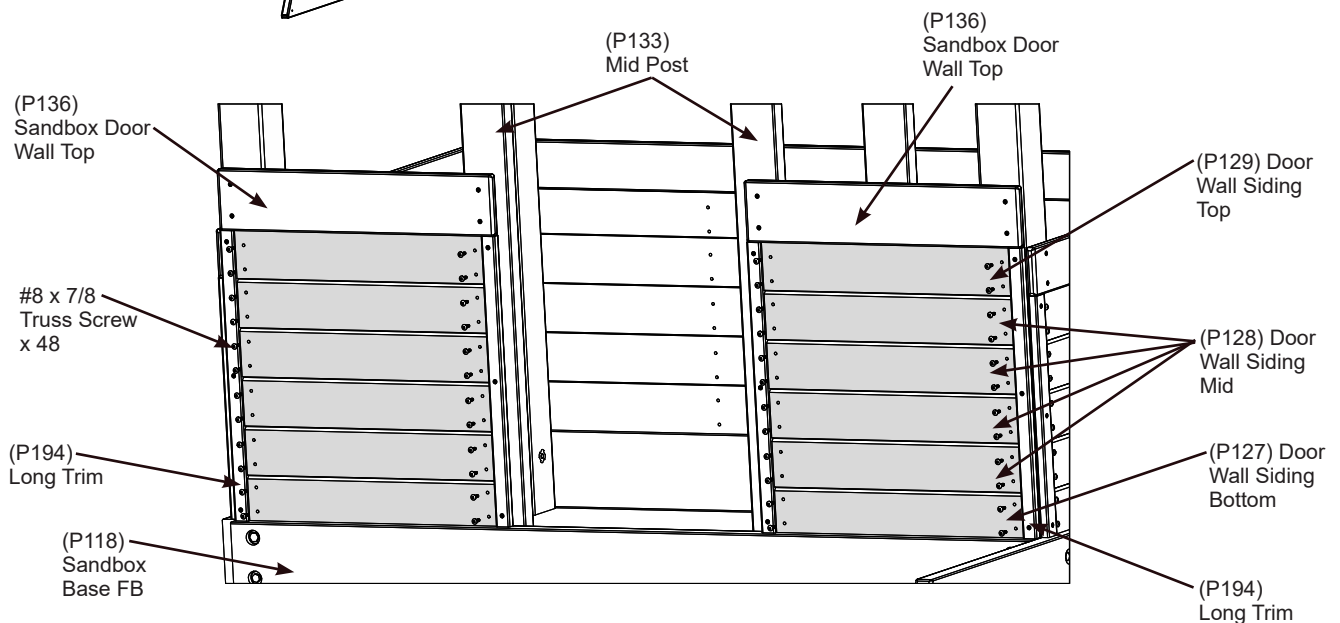
**O:** Evenly space four (P128) Door Wall Siding Mid into the open space, so the notches fit tight together. Attach with four #8 x 7/8" Truss Screws per board. (F8.13 and F8.14)

**P:** Repeat Steps K to O for the other side.

**F8.13**



**F8.14**



### Wood Parts

- 2 x (P127) Door Wall Siding Bottom
- 8 x (P128) Door Wall Siding Mid
- 2 x (P129) Door Wall Siding Top

### Hardware

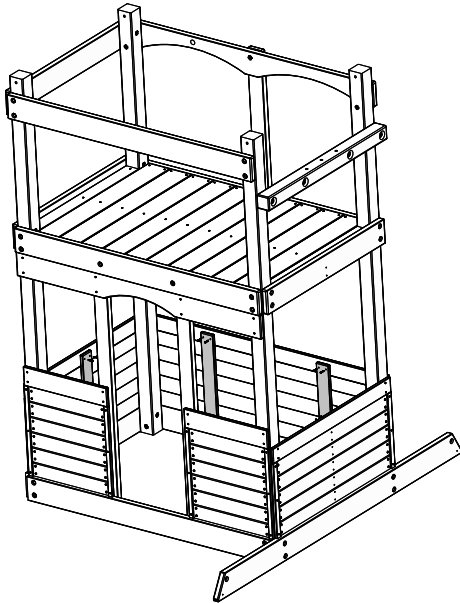
- 48 x #8 x 7/8" Truss Screw

# Step 8: Install Siding Part 7

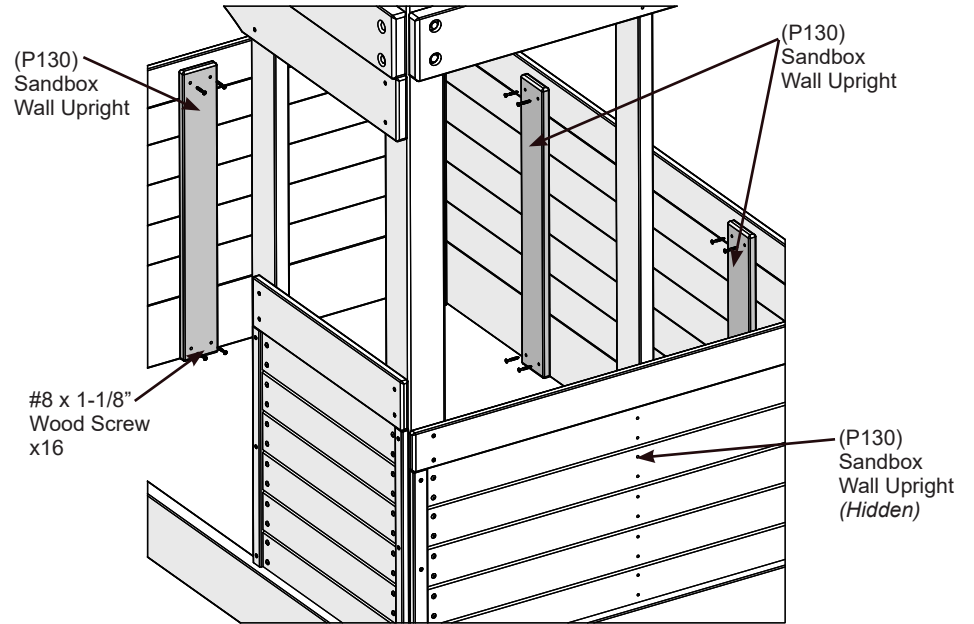
**Q:** From inside the assembly, center four (P130) Sandbox Wall Uprights over the pilot holes in the Front Wall and both Side Walls. Attach using four #8 x 1-1/8" Wood Screws per Upright. (F8.15 and F8.16)

**R:** From outside the assembly attach Siding to Uprights using 40 #8 x 7/8" Truss Screws. (F8.15 and F8.17)

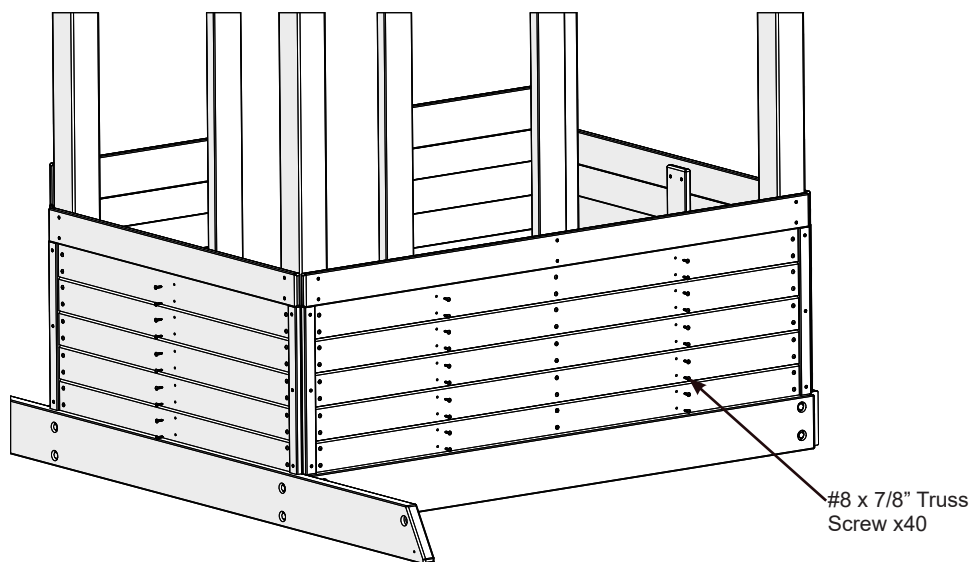
**F8.15**



**F8.16**



**F8.17**



**Wood Parts**

4 x (P130) Sandbox Wall Upright

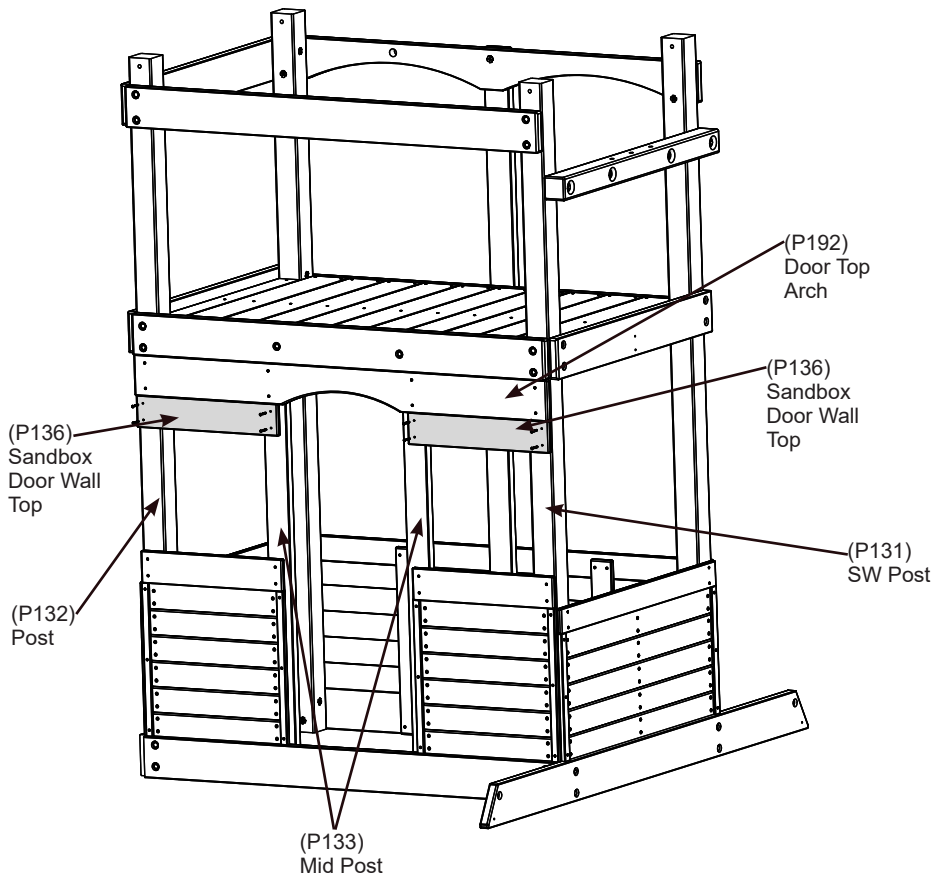
**Hardware**

16 x #8 x 1-1/8" Wood Screw  
40 x #8 x 7/8" Truss Screw

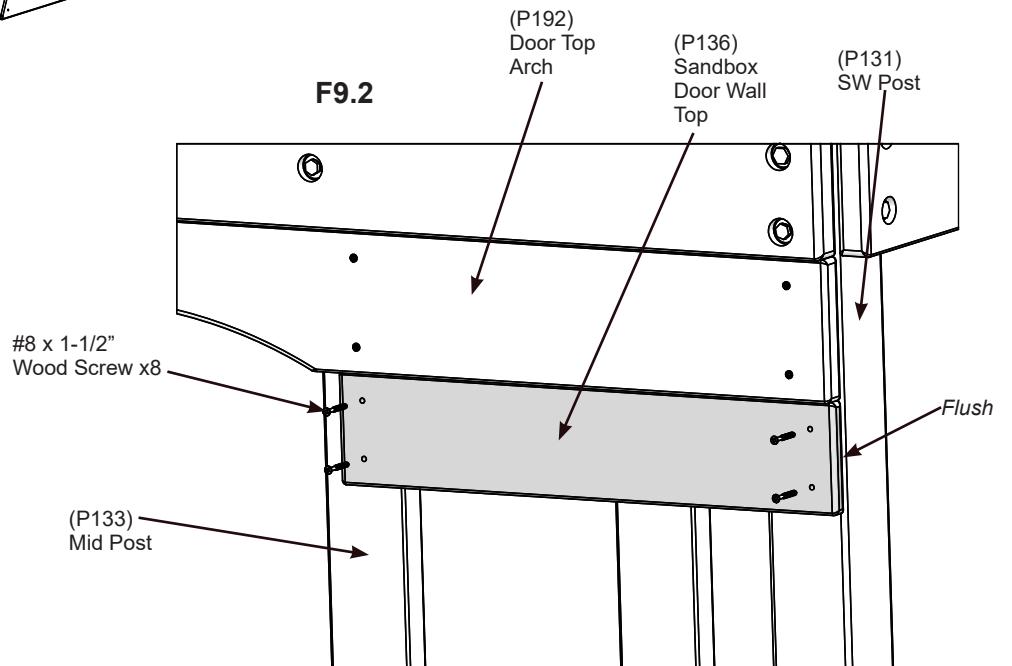
# Step 9: Door Wall Assembly Part 1

**A:** Mount the (P136) Sandbox Door Wall Tops beneath the (P192) Door Top Arch using four #8 x 1-1/2" Wood Screws. Ensure that each board is flush to the posts. (F9.1 and F9.2)

**F9.1**



**F9.2**



**Wood Parts**

2 x (P136) Sandbox Door Wall Top

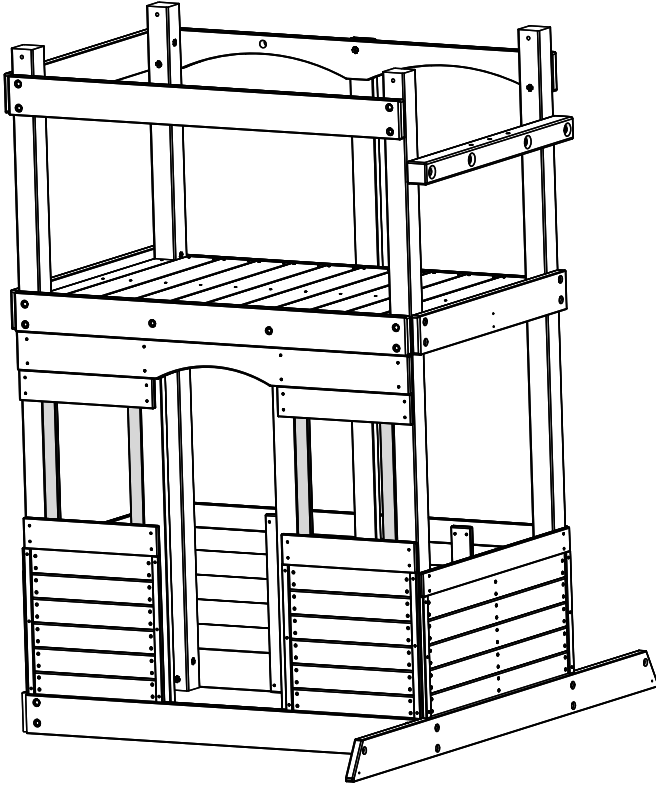
**Hardware**

8 x #8 x 1-1/2" Wood Screw

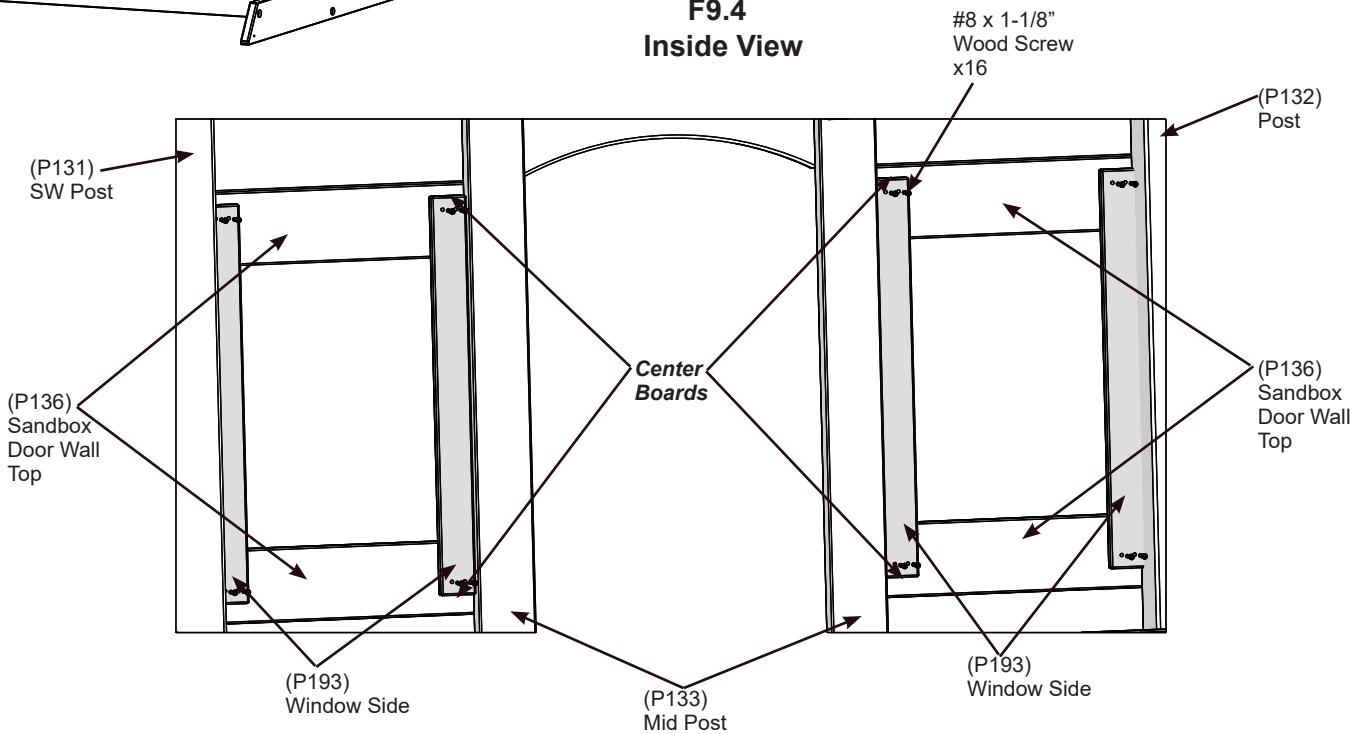
# Step 9: Door Wall Assembly Part 2

**B:** Within the assembly, place four (P193) Window Sides vertically as shown below and fasten each board with four #8 x 1-1/8" Wood Screws. (F9.3 and F9.4)

**F9.3**



**F9.4  
Inside View**



**Wood Parts**

4 x (P193) Window Side

**Hardware**

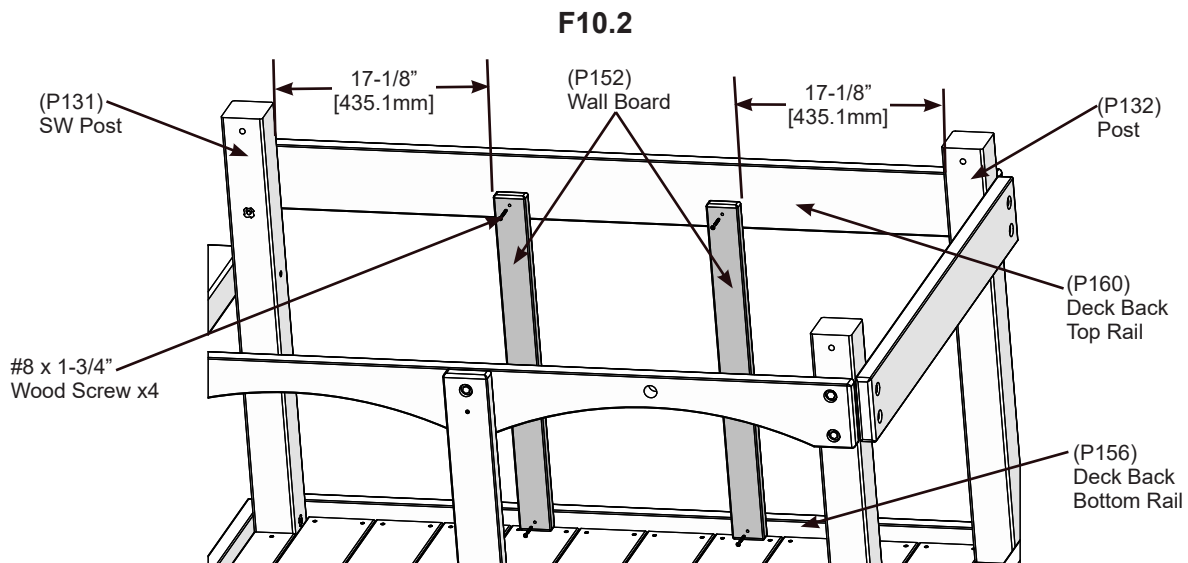
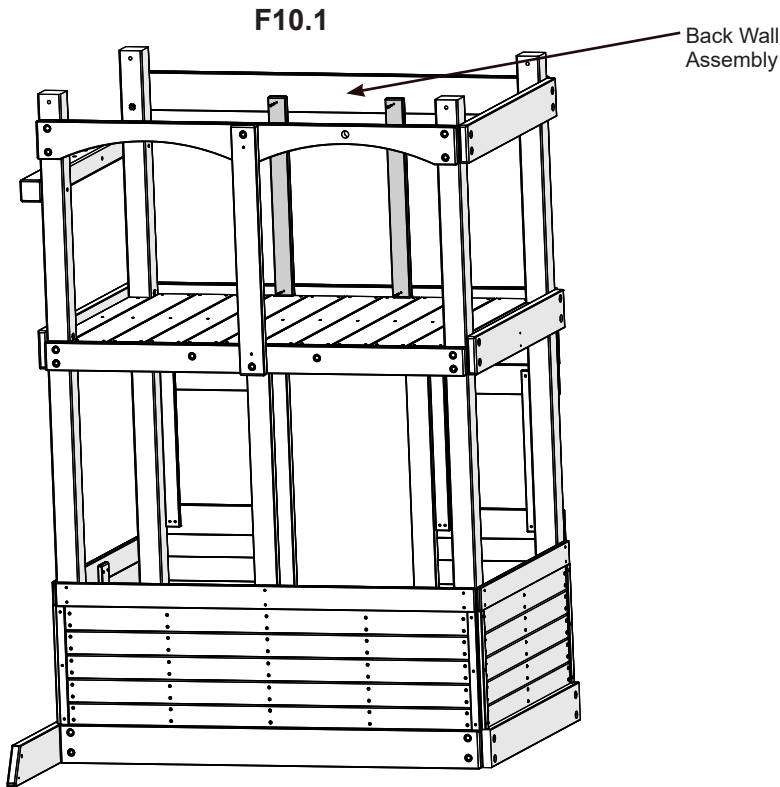
16 x #8 x 1-1/8" Wood Screw



# Step 10: TTT Wall Assembly Part 1



**A:** From inside the assembly, measure 17-1/8" [435.1mm] from (P132) Post and (P131) SW Post. Attach (P152) Wall Board to (P160) Deck Back Top Rail and (P156) Deck Back Bottom Rail using two #8 x 1-3/4" Wood Screws in each board. (F10.1 and F10.2)



### Wood Parts

2 x (P152) Wall Board

### Hardware

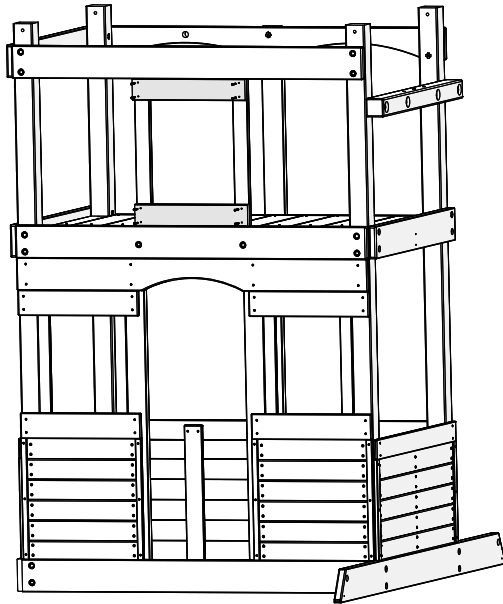
4 x #8 x 1-3/4" Wood Screw

# Step 10: TTT Wall Assembly Part 2



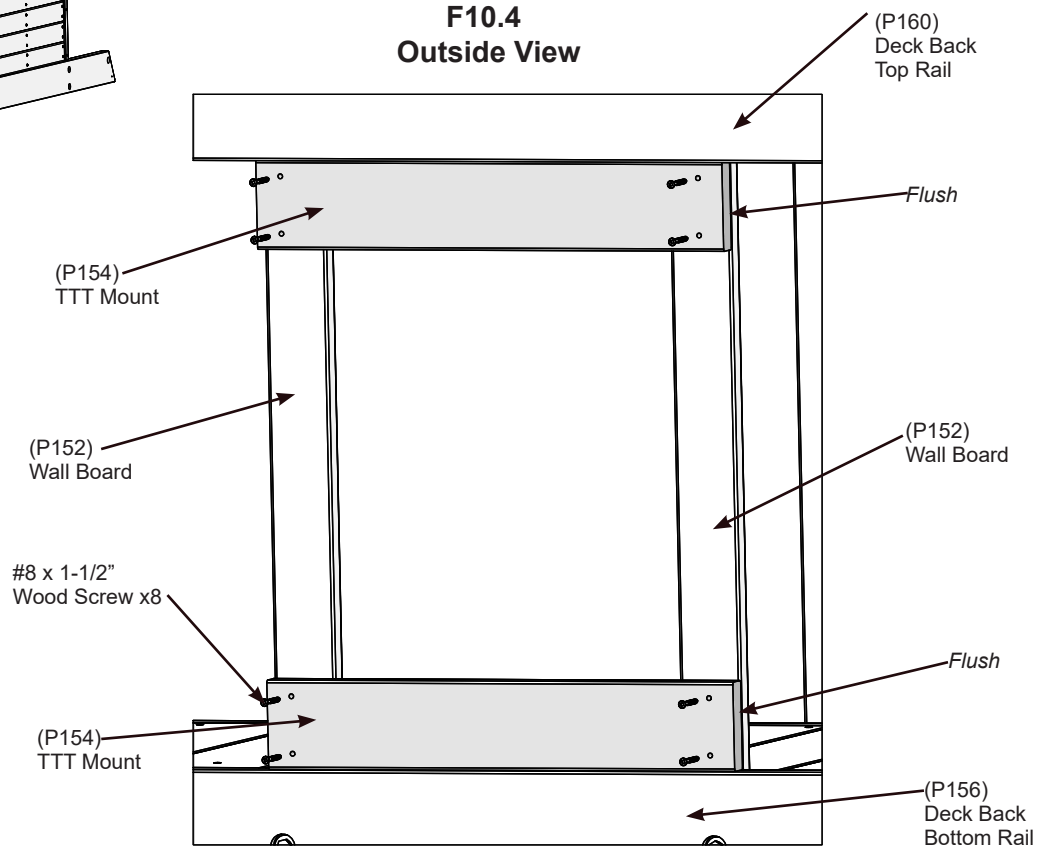
**B:** From outside the assembly, place (P154) TTT Mounts so they are tight to (P160) Deck Back Top Rail, (P156) Deck Back Bottom Rail and flush to the outside edges of each (P152) Wall Board, attach using four #8 x 1-1/2" Wood Screws on each board. (F10.3 and F10.4)

**F10.3**



**Back Wall**

**F10.4  
Outside View**



**Wood Parts**

2 x (P154) TTT Mount

**Hardware**

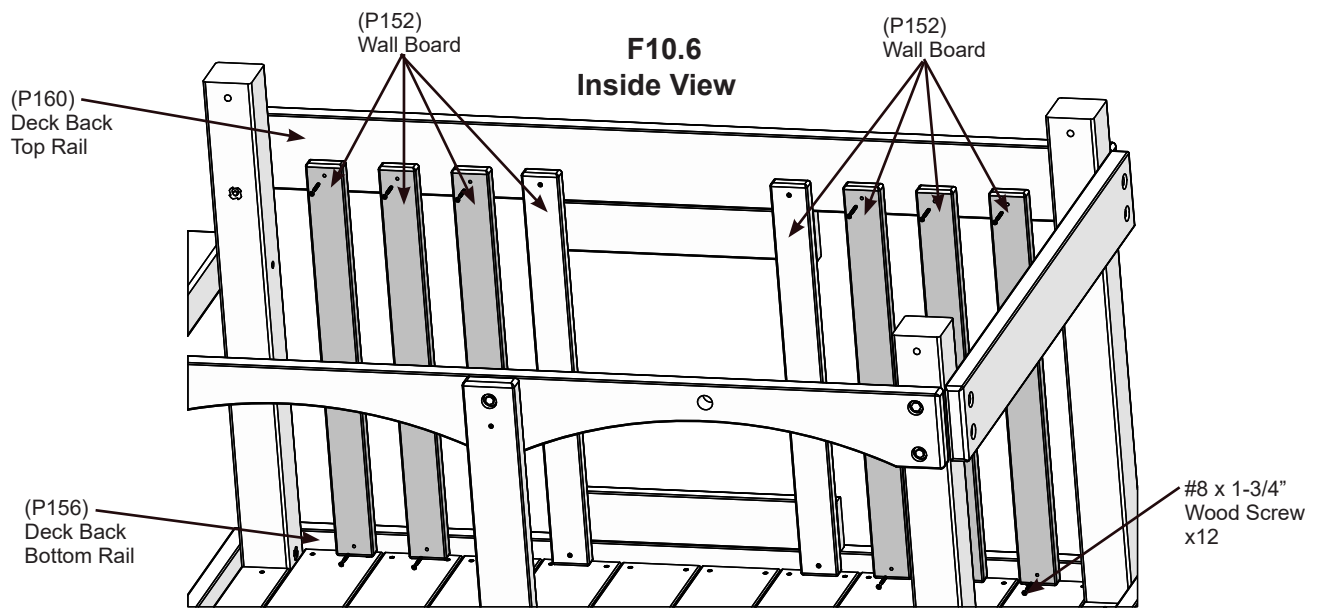
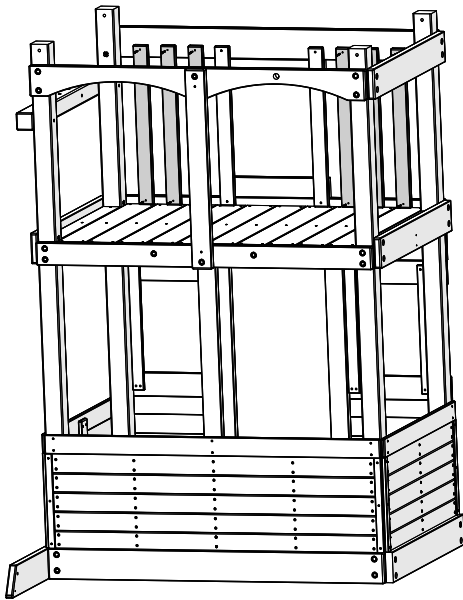
8 x #8 x 1-1/2" Wood Screw

# Step 10: TTT Wall Assembly Part 3



**C:** Evenly space remaining three (P152) Wall Boards on each side of the Tic Tac Toe opening as shown in F10.6 and secure with two #8 x 1-3/4" Wood Screws in each board. (F10.5 and F10.6)

**F10.5**



**Wood Parts**

6 x (P152) Wall Board

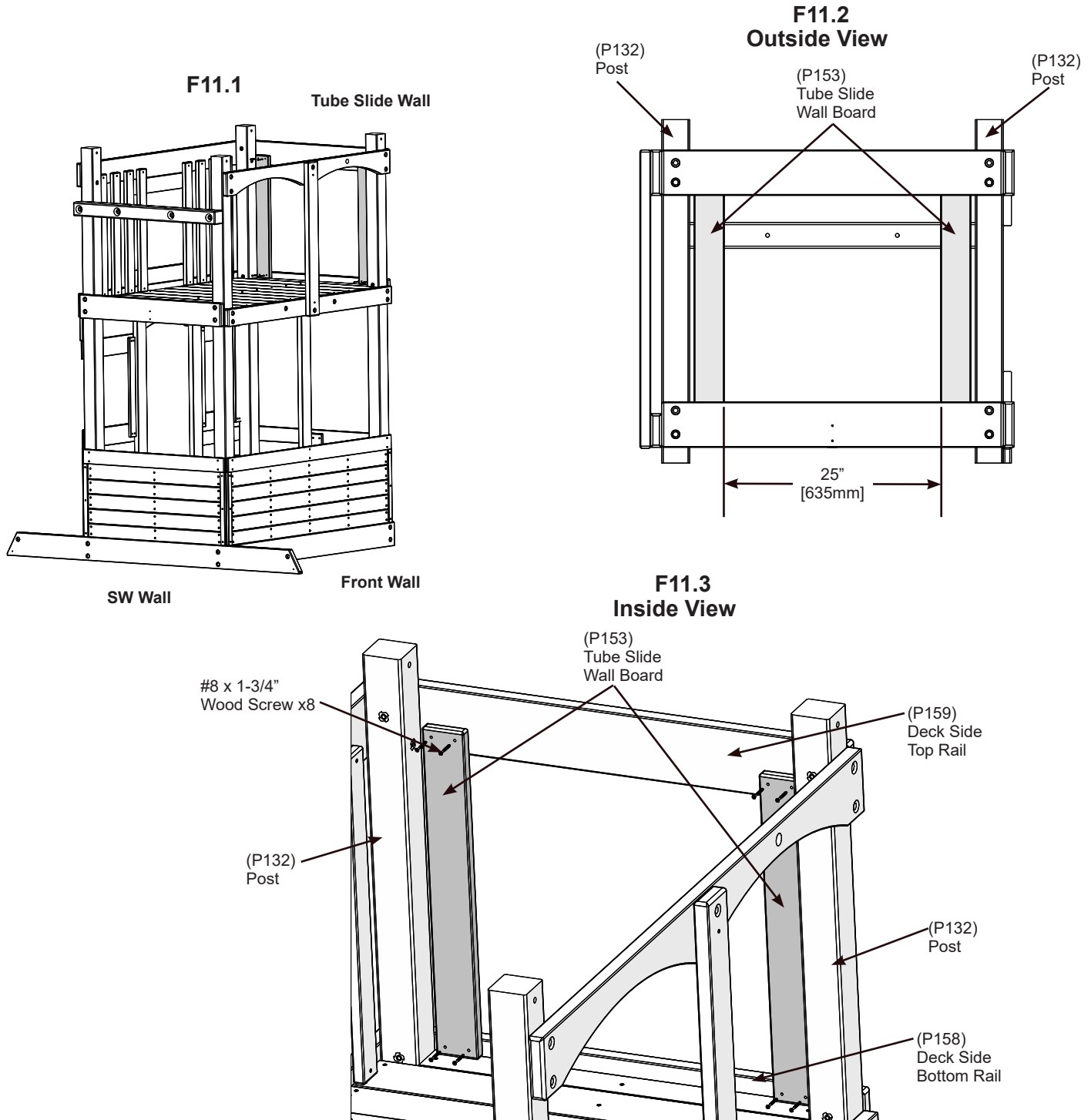
**Hardware**

12 x #8 x 1-3/4" Wood Screw

# Step 11: Tube Slide Wall Assembly Part 1



**A:** From inside the assembly, position (P153) Tube Slide Wall Boards 25" [635 mm] apart and centered between both (P132) Posts. Attach (P153) Tube Slide Wall Boards using four #8 x 1-3/4" Wood Screws in each board. (F11.1, F11.2 and F11.3)



### Wood Parts

2 x (P153) Tube Slide Wall Board

### Hardware

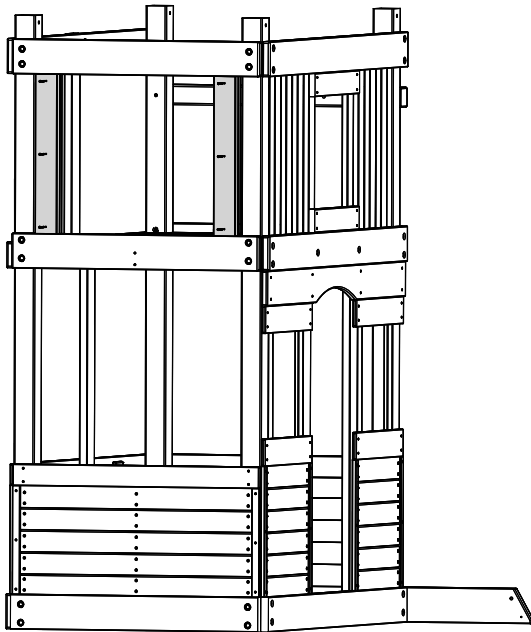
8 x #8 x 1-3/4" Wood Screw

# Step 11: Tube Slide Wall Assembly Part 2



**B:** From outside the assembly, attach (P155) Tube Slide Entrance Mounts flush to the edges of (P153) Tube Slide Wall Boards using three #8 x 1-3/4" Wood Screws on each board. (F11.4 and F11.5)

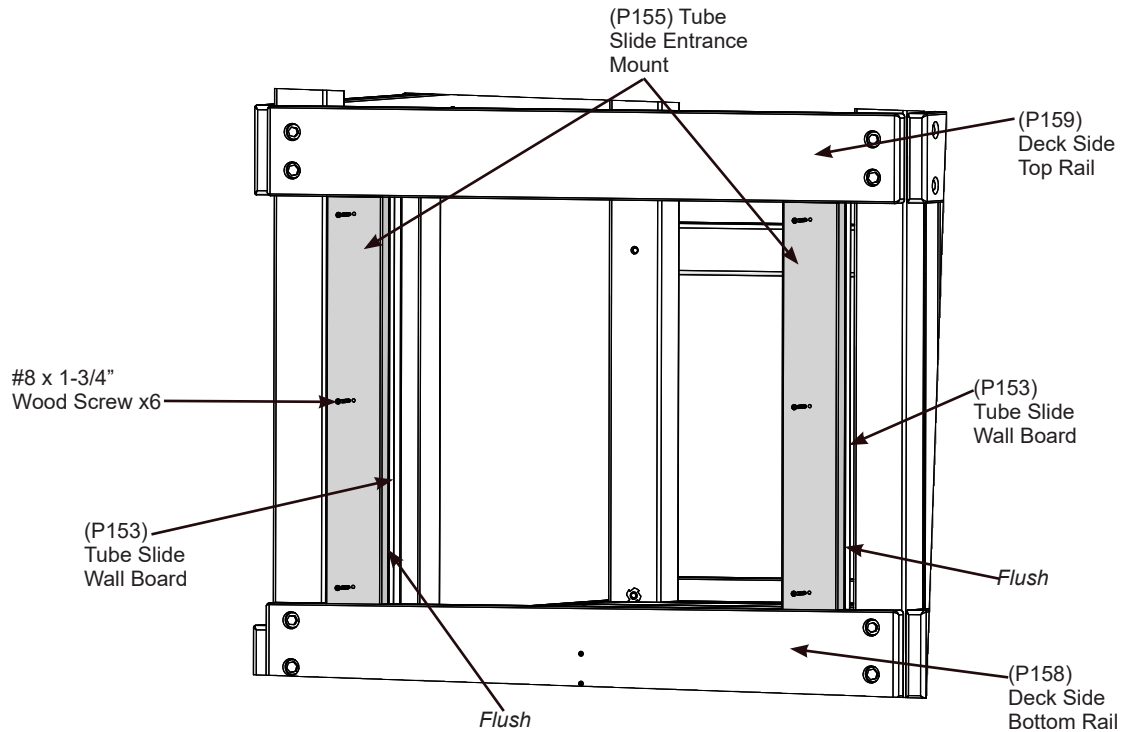
**F11.4**



Tube Slide Wall

Back Wall

**F11.5**



**Wood Parts**

2 x (P155) Tube Slide Entrance Mount

**Hardware**

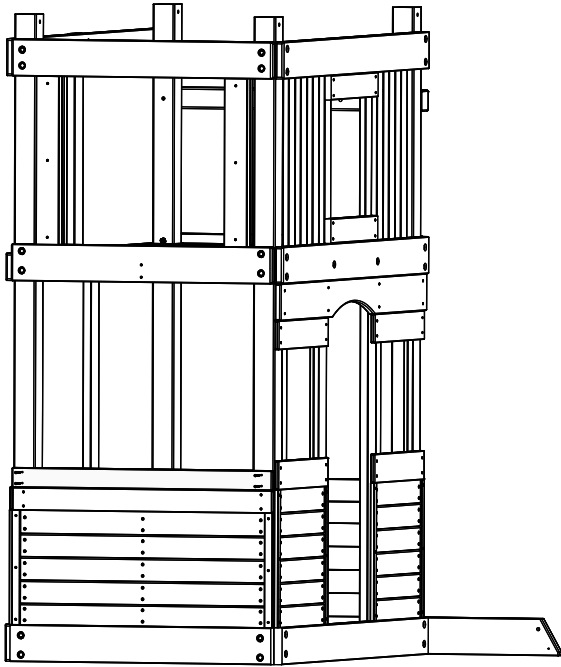
6 x #8 x 1-3/4" Wood Screw

# Step 11: Tube Slide Wall Assembly

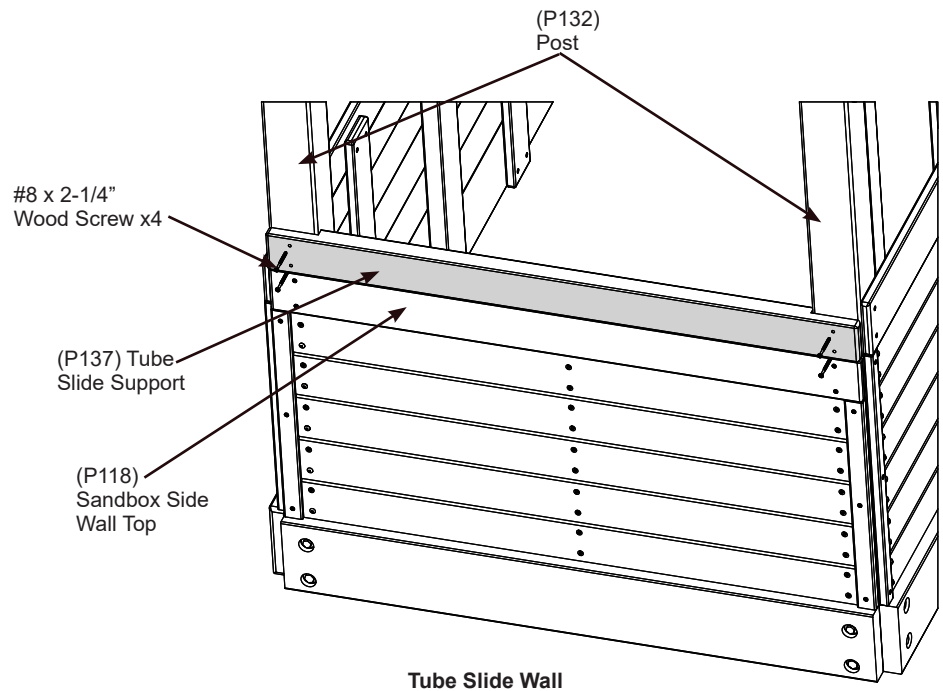
## Part 3

**C:** Place Tube Slide Support on top of Sandbox Side Wall Top ensuring the cutouts align with the posts. Secure with four #8 x 2-1/4" Wood Screws. (F11.6 and F11.7)

**F11.6**



**F11.7**



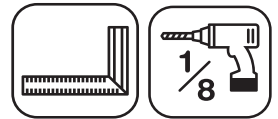
### Wood Parts

1 x (P137) Tube Slide Support

### Hardware

4 x #8 x 2-1/4" Wood Screw

# Step 12: Attach Gussets

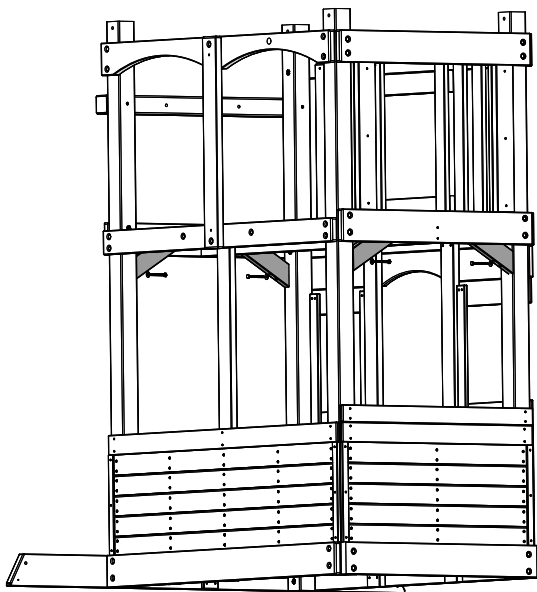


**Note:** Pre-drill all pilot holes using a 1/8" drill bit before installing Hex Lag.

**A:** Make sure assembly is square before proceeding. On the inside of each (P132) Post and (P131) SW Post, position one (P164) Gusset as shown in F12.1, F12.2 and F12.3, making sure it's flush with the outside edge of the posts. Attach (P164) Gusset to (P158) Deck Side Bottom Rail with one #8 x 2-1/4" Wood Screw and one 5/16 x 2" Hex Lag (with 5/16" Flat Washer) per Gusset.

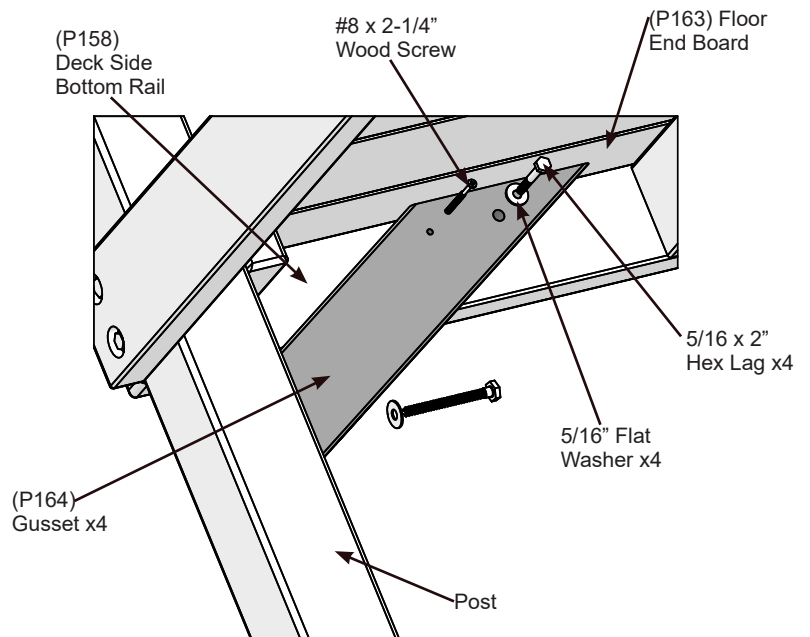
**B:** Install one 5/16 x 3" Lag Screw (with 5/16" flat washer) per Gusset. (F12.1 and F12.3)

**F12.1**



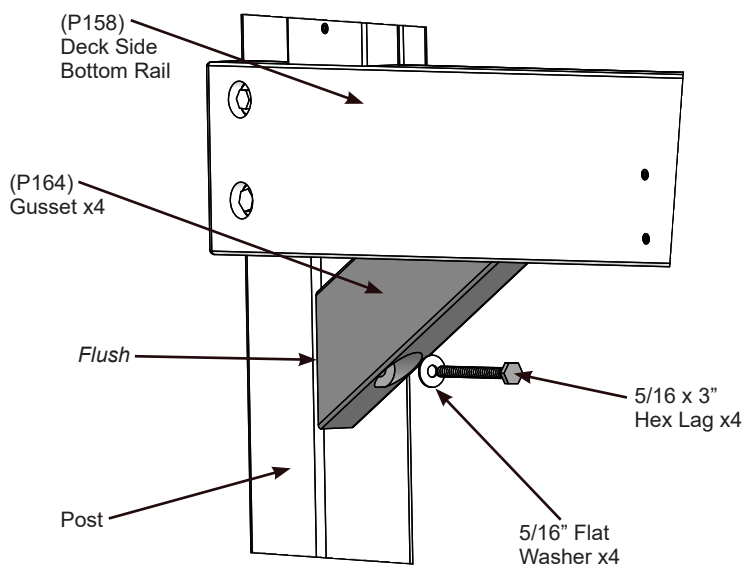
**Front Wall**

**F12.2  
Inside View**



**Tube Slide Wall**

**F12.3**



**Wood Parts**

4 x (P164) Gusset

**Hardware**

- 4 x #8 x 2-1/4" Wood Screw
- 4 x 5/16 x 2" Hex Lag (with 5/16" flat washer)
- 4 x 5/16 x 3" Hex Lag (with 5/16" flat washer)

# Step 13: Attach Diagonals



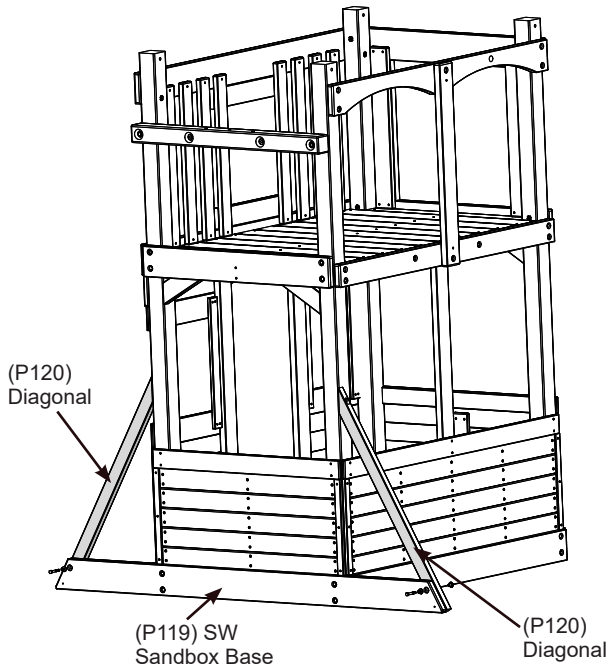
**Note:** Pre-drill all pilot holes using a 1/8" drill bit before installing Hex Lag.

**A:** On both ends of the (P119) SW Sandbox Base, position (P120) Diagonal behind (P119) SW Sandbox Base with the countersunk hole at the top. Loosely attach to (P119) SW Sandbox base with one 5/16 x 2-1/4" Hex Bolt (with 5/16" lock washer, 5/16" flat washer and 5/16" t-nut). (F13.1 and F13.2)

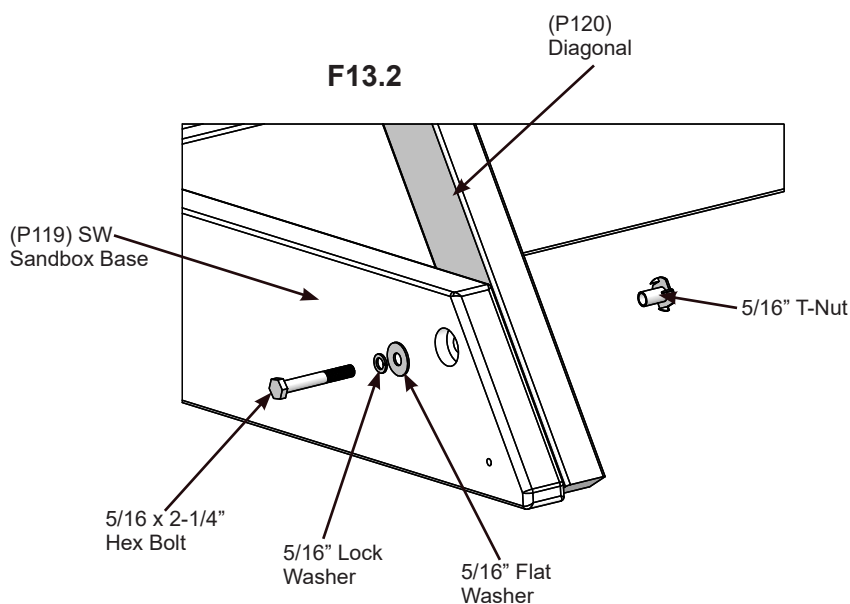
**B:** Check to make sure (P120) Diagonal is tight to the (P131) SW Posts and flush to the outside edge and install one 5/16 x 3" Lag Screw (with 5/16" flat washer) per Diagonal (F13.1 and F13.4)

**C:** Attach (P120) Diagonal to (P119) SW Sandbox Base using one #8 x 2-1/4" Wood Screw, then tighten bolts. (F13.1 and 13.3)

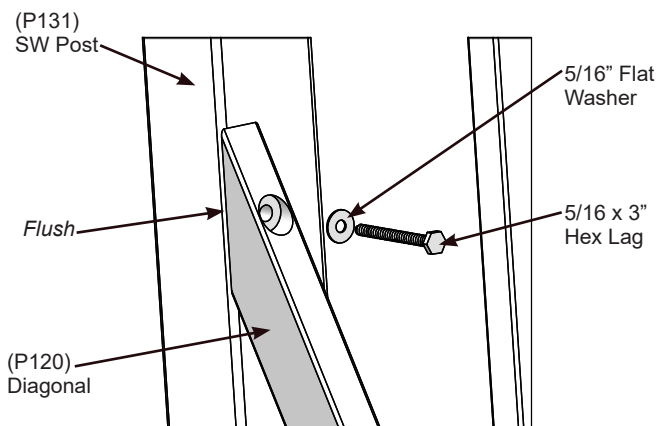
**F13.1**



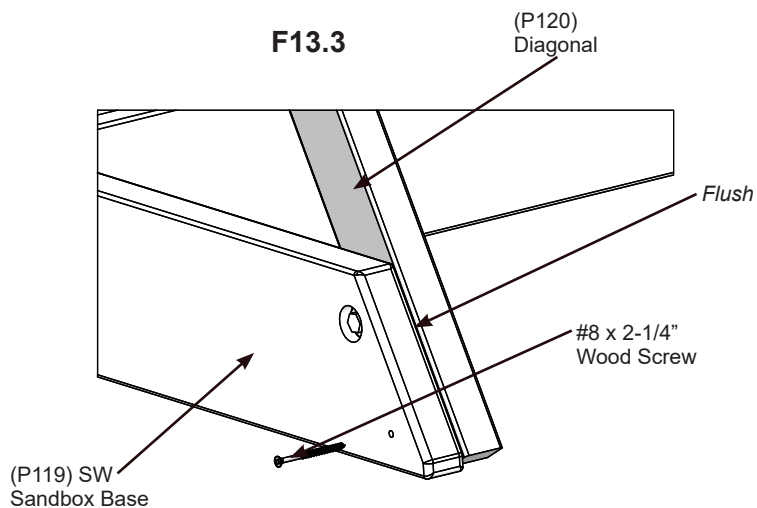
**F13.2**



**F13.4**



**F13.3**



**Wood Parts**

2 x (P120) Diagonal

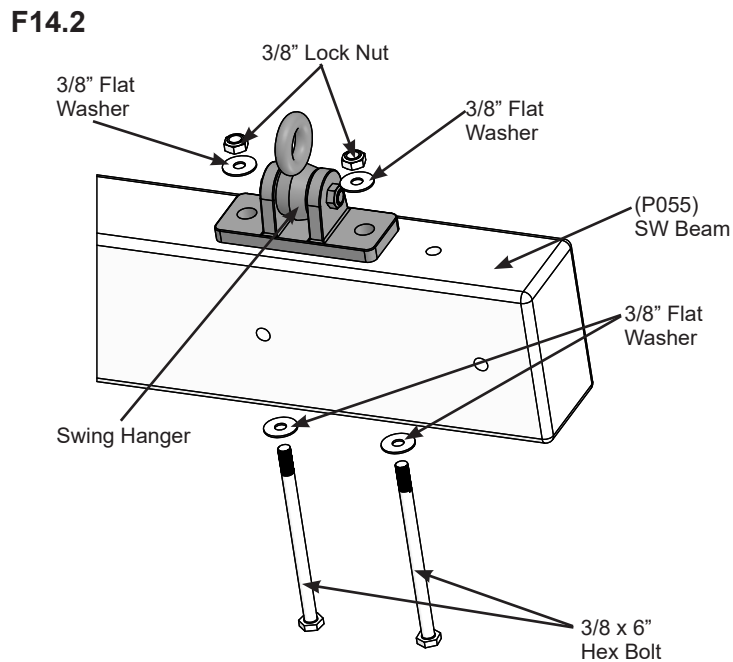
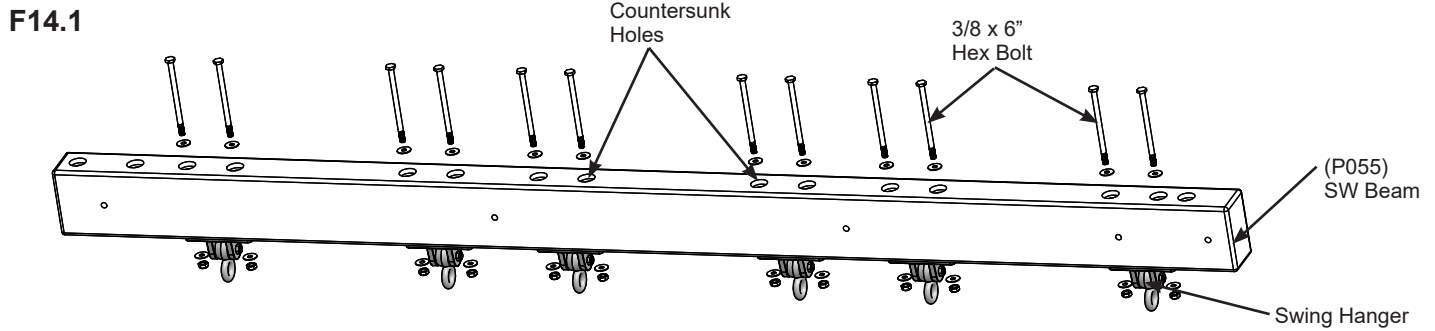
**Hardware**

2 x #8 x 2-1/4" Wood Screw  
 2 x 5/16 x 2-1/4" Hex Bolt (with 5/16" lock washer, 5/16" flat washer, 5/16" t-nut)  
 2 x 5/16 x 3" Hex Lag (with 5/16" flat washer)



# Step 14: Swing Beam Assembly Part 1

**A:** Attach six Swing Hangers to (P055) SW Beam using twelve 3/8 x 6" Hex Bolts (with two 3/8" flat washers and 3/8" lock nut), making sure bolts are installed through the countersunk holes. (F14.1 and F14.2)



### Wood Parts

1 x (P055) SW Beam

### Components:

6 x Swing Hanger

### Hardware

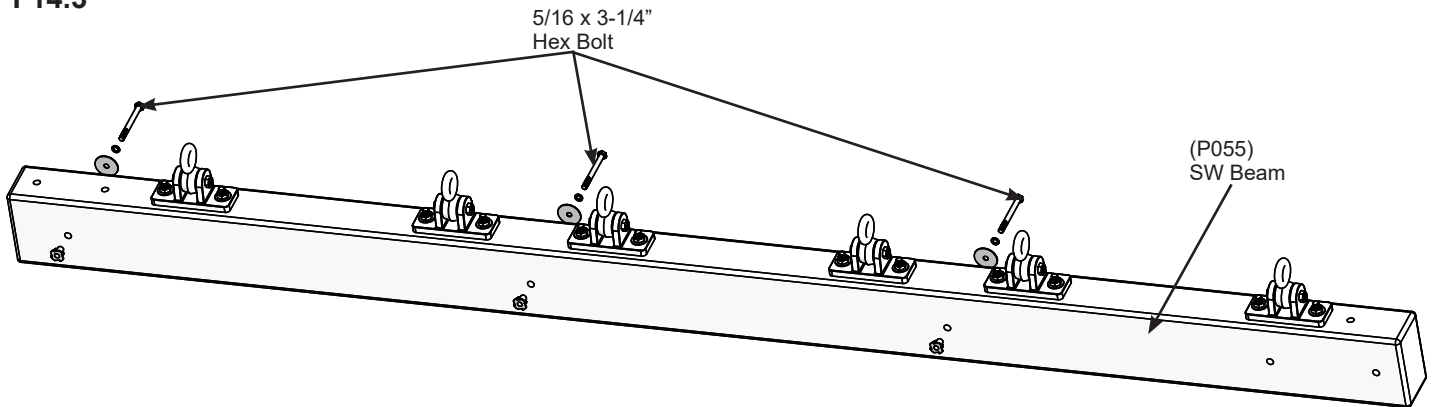
12 x 3/8 x 6" Hex Bolt  
(with 3/8" flat washer x 2, 3/8" lock nut)

## Step 14: Swing Beam Assembly Part 2

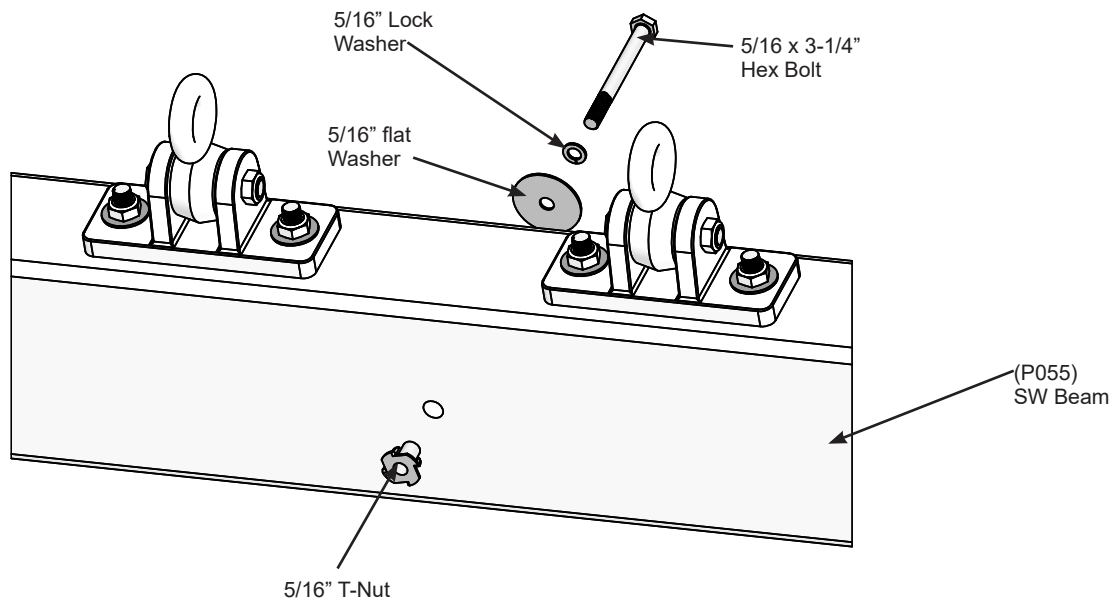
**B:** At the locations shown in F14.3 install three 5/16 x 3-1/4" Hex Bolts (with 5/16" lock washer, 5/16" flat washer and 5/16" t-nut). (F14.3 and F14.4)

**THESE BOLTS MUST BE INSTALLED TO HELP REDUCE CHECKING OF THE WOOD.**

F14.3



F14.4



### Hardware

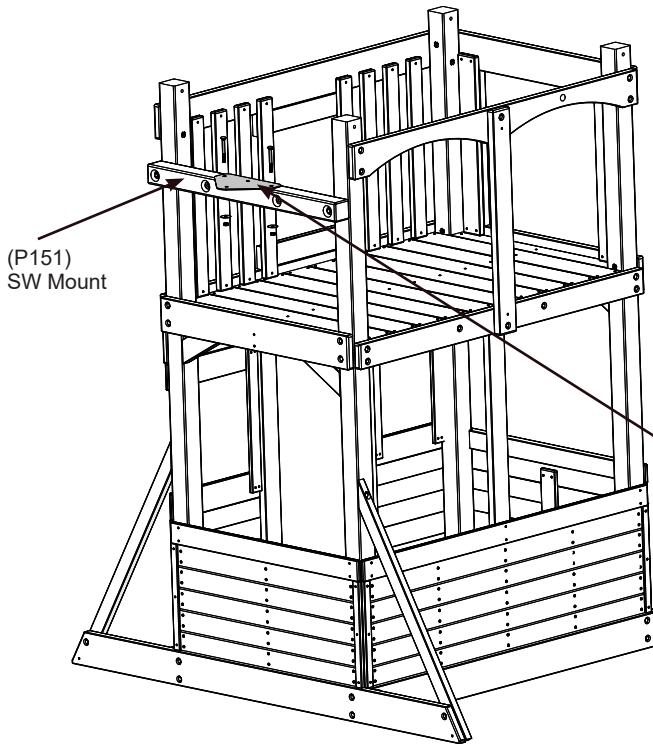
3 x 5/16 x 3-1/4" Hex Bolt  
(with 5/16" lock washer, 5/16" flat washer, 5/16" t-nut)

# Step 15: Attach Triplate

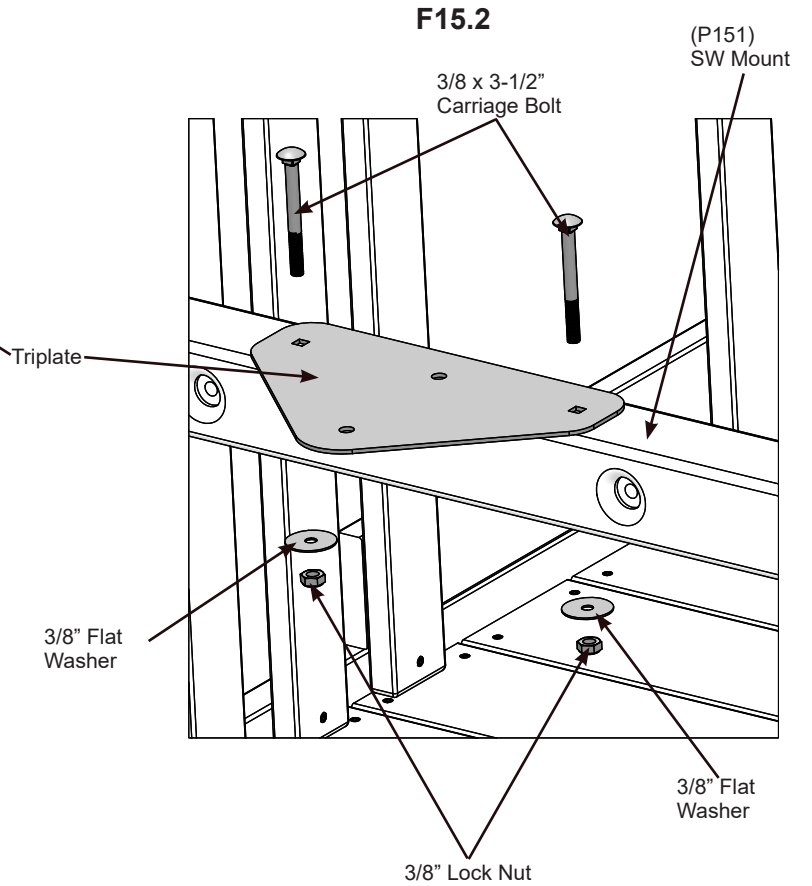


**A:** Position Triplate on (P151) SW Mount so bolt holes align and overhang is towards the outside. Attach using the outside holes with two 3/8 x 3-1/2" Carriage Bolts (with 3/8" flat washer and 3/8" lock nut). (F15.1 and F15.2)

**F15.1**



**F15.2**



**Components:**

1 x Triplate

**Hardware**

2 x 3/8 x 3-1/2" Carriage Bolt  
(with 3/8" flat washer, 3/8" lock nut)

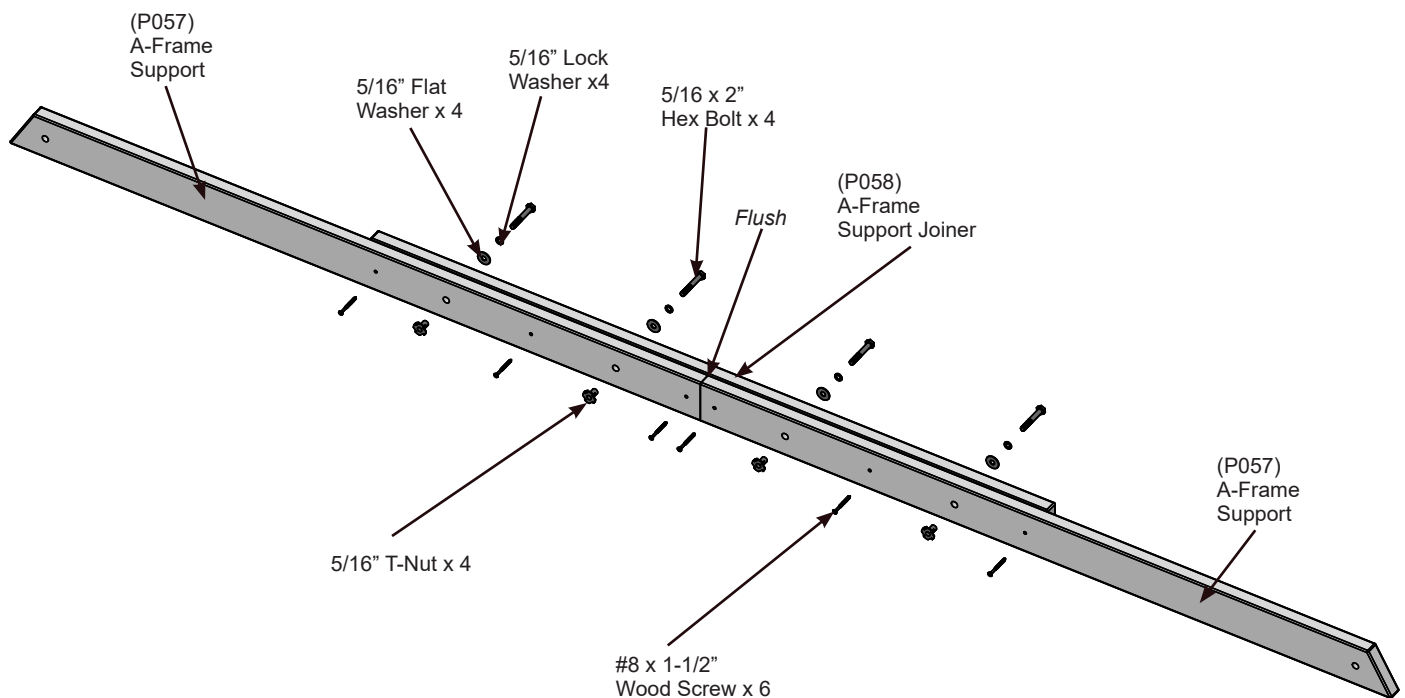
# Step 16: A Frame Assembly Part 1



**A:** Position two (P057) A-Frame Supports so the straight ends meet, taking note of the orientation. Tap four 5/16" t-nuts into the bolt holes. Flip (P057) A-Frame Supports over and place (P058) A-Frame Support Joiner centered over both supports so bolt holes are aligned and edges are flush. Attach boards with four 5/16 x 2" Hex Bolts (with 5/16" lock washer and 1/4-5/16" flat washer). (F16.1)

**B:** Flip the assembly over and install six #8 x 1-1/2" Wood Screws. (F16.1)

**F16.1**



### Wood Parts

- 2 x (P057) A-Frame Support
- 1 x (P058) A-Frame Support Joiner

### Hardware

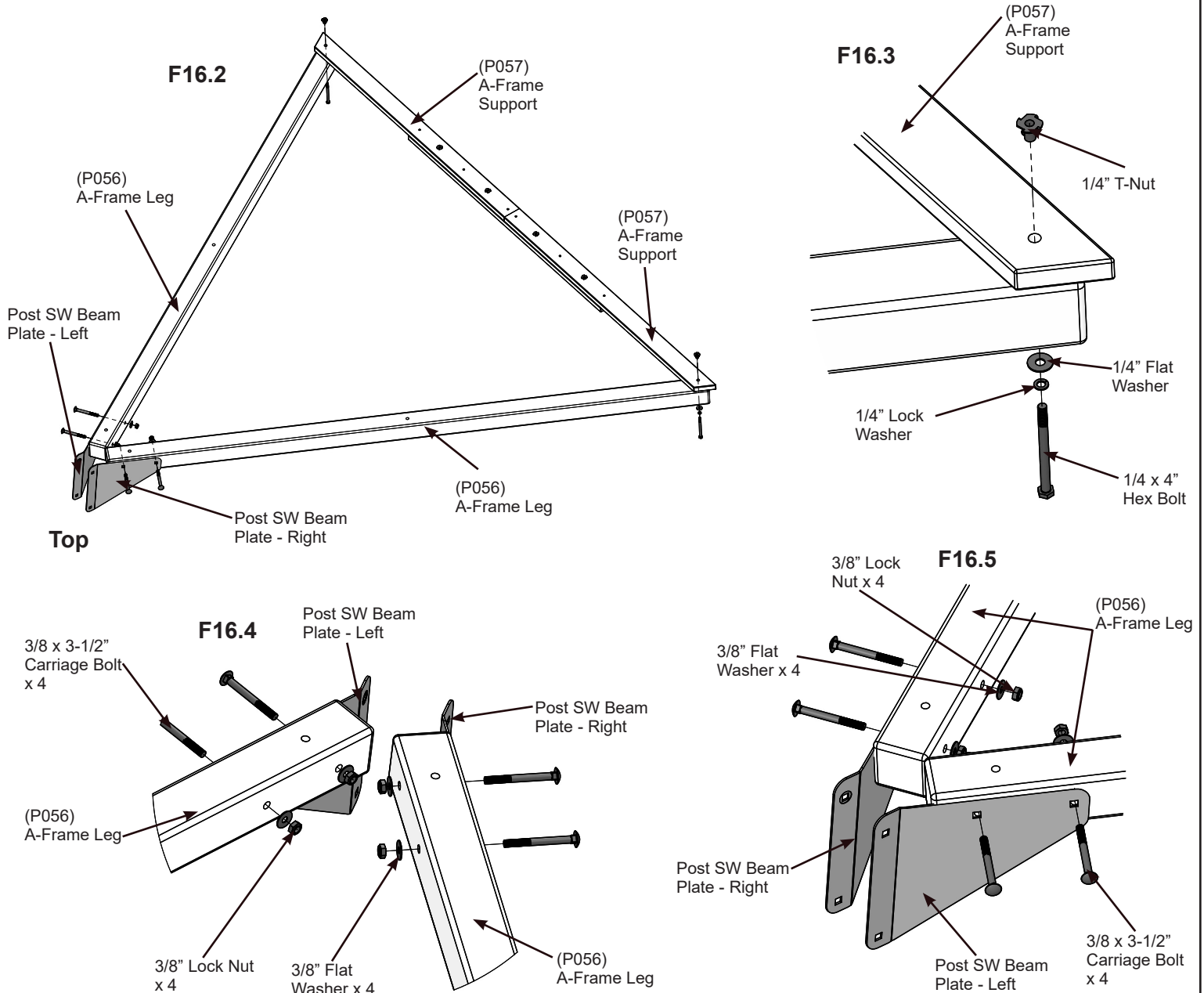
- 6 x #8 x 1-1/2" Wood Screw
- 4 x 5/16 x 2" Hex Bolt  
(with 5/16" lock washer, 5/16" flat washer, 5/16" t-nut)

# Step 16: A Frame Assembly Part 2



**C:** Position one (P056) A-Frame Leg under each end of the A-Frame Support Assembly so holes are aligned, and T-Nuts are on top. The double bolt holes should be at the top end. Loosely attach A-Frame Support Assembly to both (P056) A-Frame Legs with two 1/4 x 4" Hex Bolts (with 1/4" lock washer, 1/4" flat washer and 1/4" t-nut. (F16.2 and F16.3)

**D:** At the top end of the A-Frame Assembly, loosely install a Post SW Beam Plate Bracket - Left and a Post SW Beam Plate Bracket - Right using two 3/8 x 3-1/2" Carriage Bolts (with 3/8 flat washer and 3/8" lock nut) per bracket. The straight side of the brackets should be towards the outside of the A-Frame Assembly. (F16.2, F16.4 and F16.5)



### Wood Parts

2 x (P056) A-Frame Leg

### Components:

1 x Post SW Beam Plate - Left  
1 x Post SW Beam Plate - Right

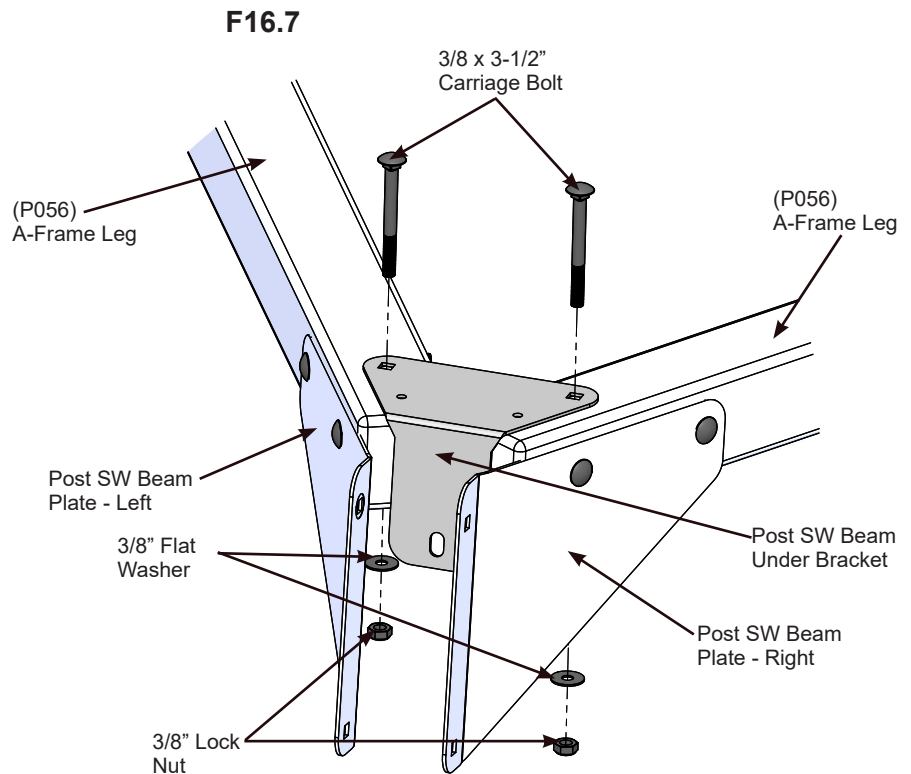
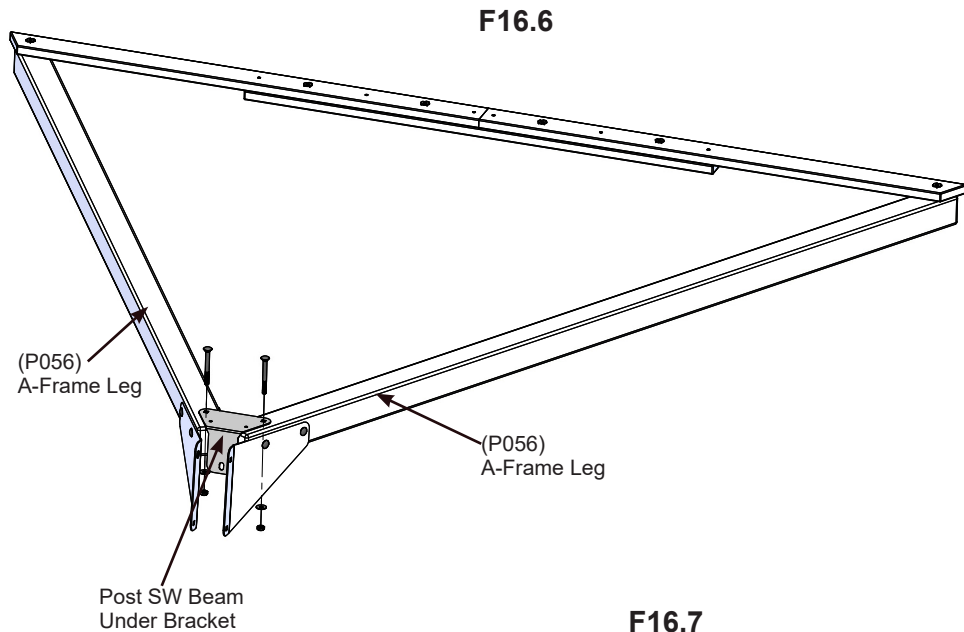
### Hardware

2 x 1/4 x 4" Hex Bolt  
(with 1/4" lock washer, 1/4" flat washer, 1/4" t-nut)  
4 x 3/8 x 3-1/2" Carriage Bolt  
(with 3/8" flat washer, 3/8" lock nut)

# Step 16: A Frame Assembly Part 3



**E:** Place a Post SW Beam Under Bracket so the holes align with the (P056) A-Frame Legs. Loosely attach with two 3/8 x 3-1/2" Carriage Bolts (with 3/8" flat washer and 3/8" lock nut). (F16.6 and F16.7)



**Components:**

1 x Post SW Beam Under Bracket

**Hardware**

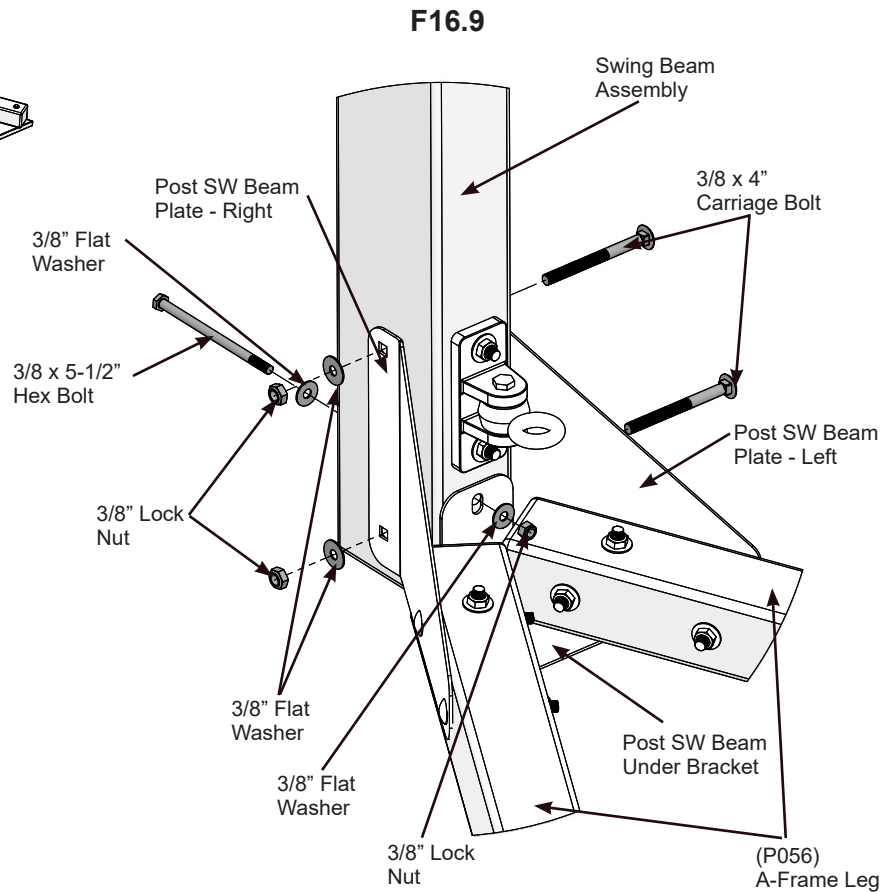
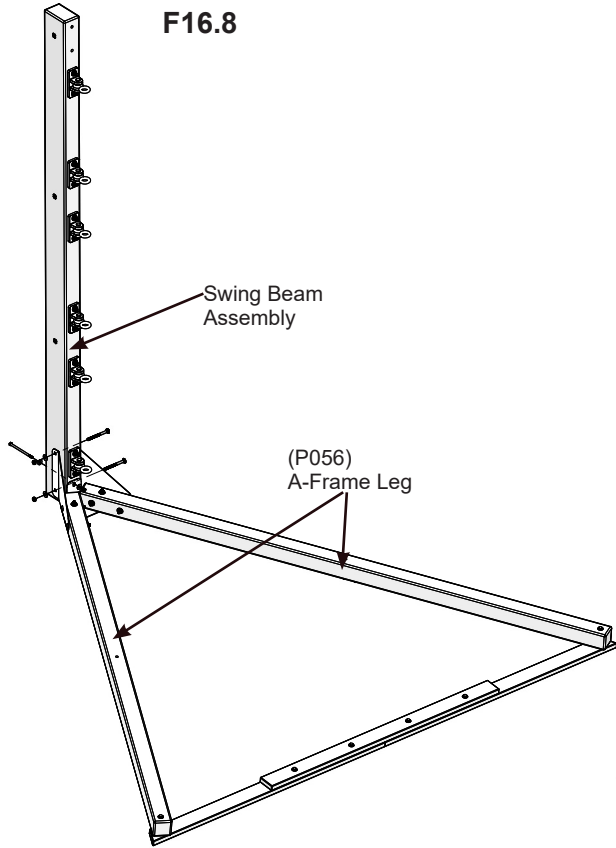
2 x 3/8 x 3-1/2" Carriage Bolt  
(with 3/8" flat washer, 3/8" lock nut)

# Step 16: A Frame Assembly Part 4



**F:** With two helpers position the Swing Beam end with the double holes between the Post SW Beam Plate Bracket - Left and Post SW Beam Plate Bracket - Right so holes align. Loosely attach with one 3/8 x 5-1/2" Hex Bolt (with 3/8" flat washer x 2 and 3/8" lock nut). (F16.8 and F16.9)

**G:** Loosely attach with two 3/8 x 4" Carriage Bolts (with 3/8" flat washer and 3/8" lock nut). (F16.8 and F16.9)

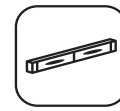


### Hardware

2 x 3/8 x 4" Carriage Bolt  
(with 3/8" flat washer, 3/8" lock nut)

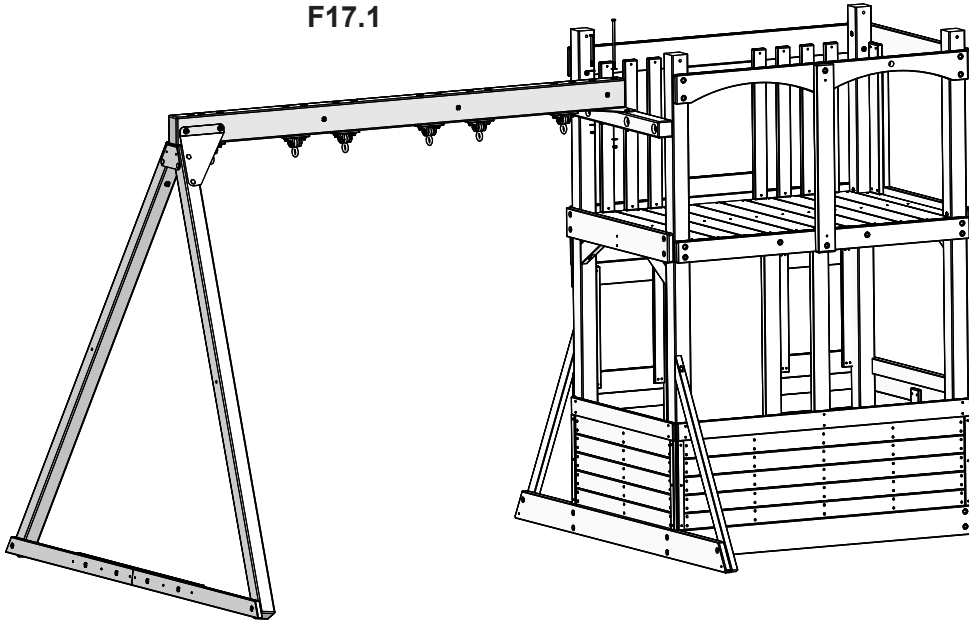
1 x 3/8 x 5-1/2" Hex Bolt  
(with 3/8" flat washer x 2, 3/8" lock nut)

# Step 17: Attach Swing End Part 1

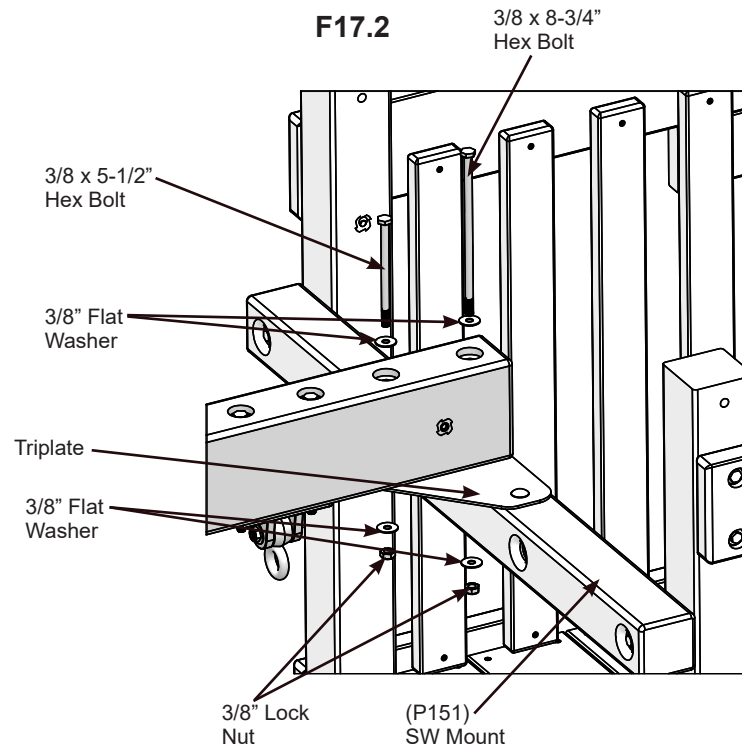


**A:** Carefully lift the Swing Assembly and center on the Triplate. Loosely attach with one 3/8 x 8-3/4" Hex Bolt (with 3/8" flat washers x 2 and 3/8" lock nut) and one 3/8 x 5-1/2" Hex Bolt (with 3/8" flat washer x 2 and 3/8" lock nut). (F17.1 and F17.2)

F17.1



F17.2



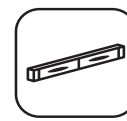
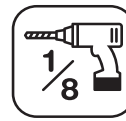
## Hardware

1 x 3/8 x 5-1/2" Hex Bolt  
(with 3/8" flat washer x 2, 3/8" lock nut)

1 x 3/8 x 8-3/4" Hex Bolt  
(with 3/8" flat washer x 2, 3/8" lock nut)



# Step 17: Attach Swing End Part 2

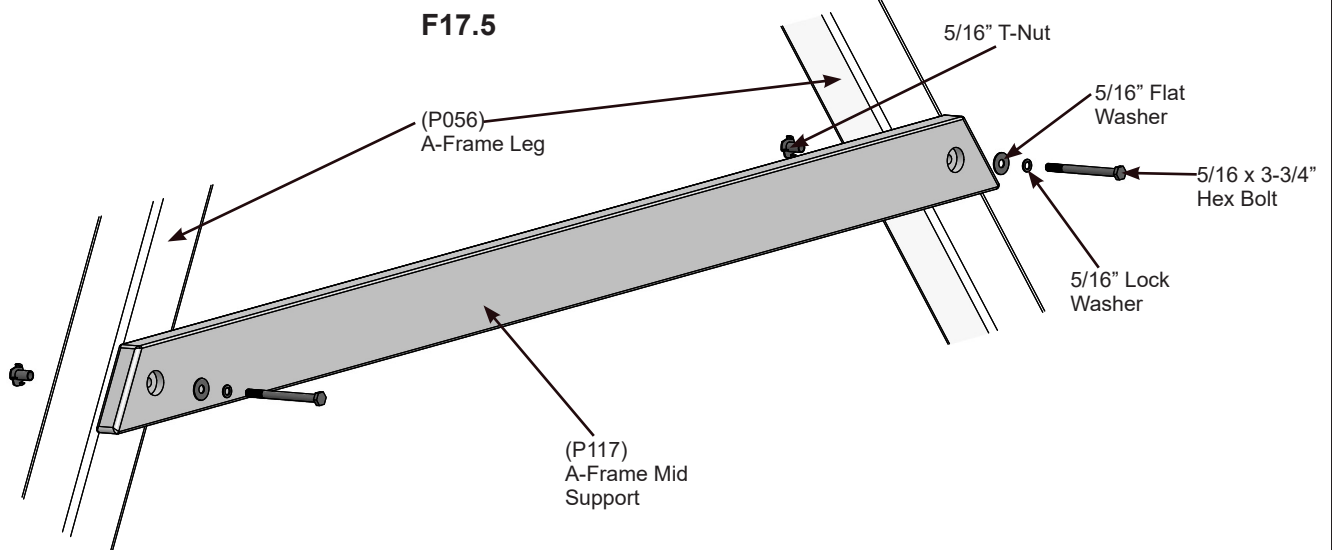
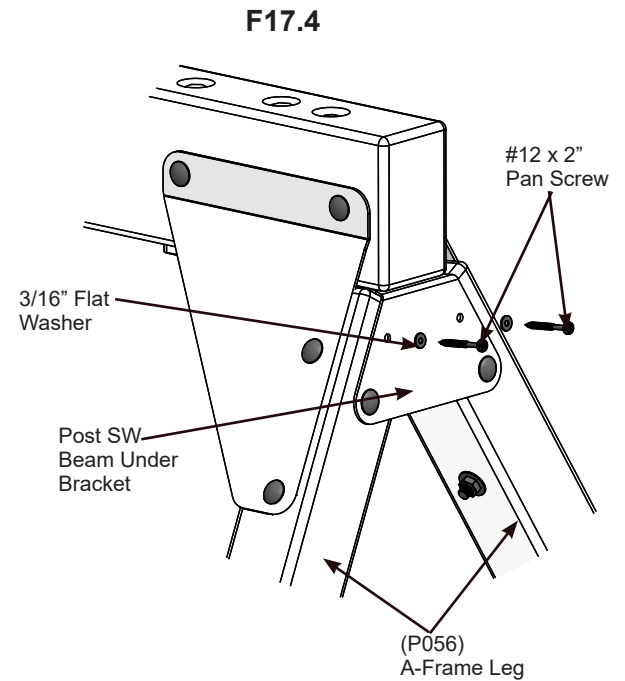
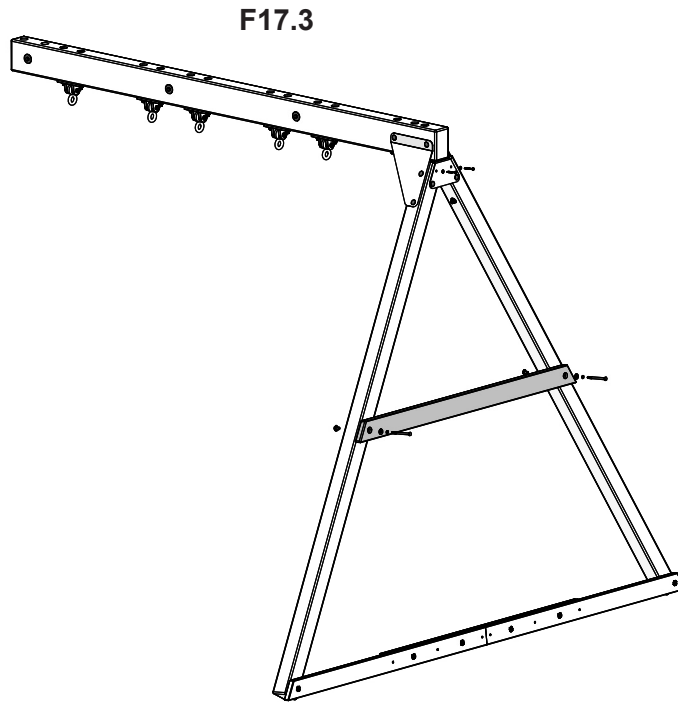


**Note:** Pre-drill all pilot holes using a 1/8" drill bit before installing Pan Screw.

**B:** Attach (P117) A-Frame Mid Support to (P056) A-Frame Legs using two 5/16 x 3-3/4" Hex Bolts (with 5/16" lock washer, 5/16" flat washer and 5/16" t-nut) (F17.3 and F17.5)

**C:** Check that Swing Beam Assembly is level, then tighten all bolts from Steps 16 and 17.

**D:** Attach Post SW Beam Under Bracket to (P056) A-Frame Legs using two #12 x 2" Pan Screws (with 3/16" flat washer). (F17.3 and F17.4)



### Wood Parts

1 x (P117) A-Frame Mid Support

### Hardware

2 x 5/16 x 3-3/4" Hex Bolt  
(with 5/16" lock washer, 5/16 flat washer and 5/16" t-nut)

2 x #12 x 2" Pan Screw (with 3/16" flat washer)

# Step 18: Attach Ground Stakes

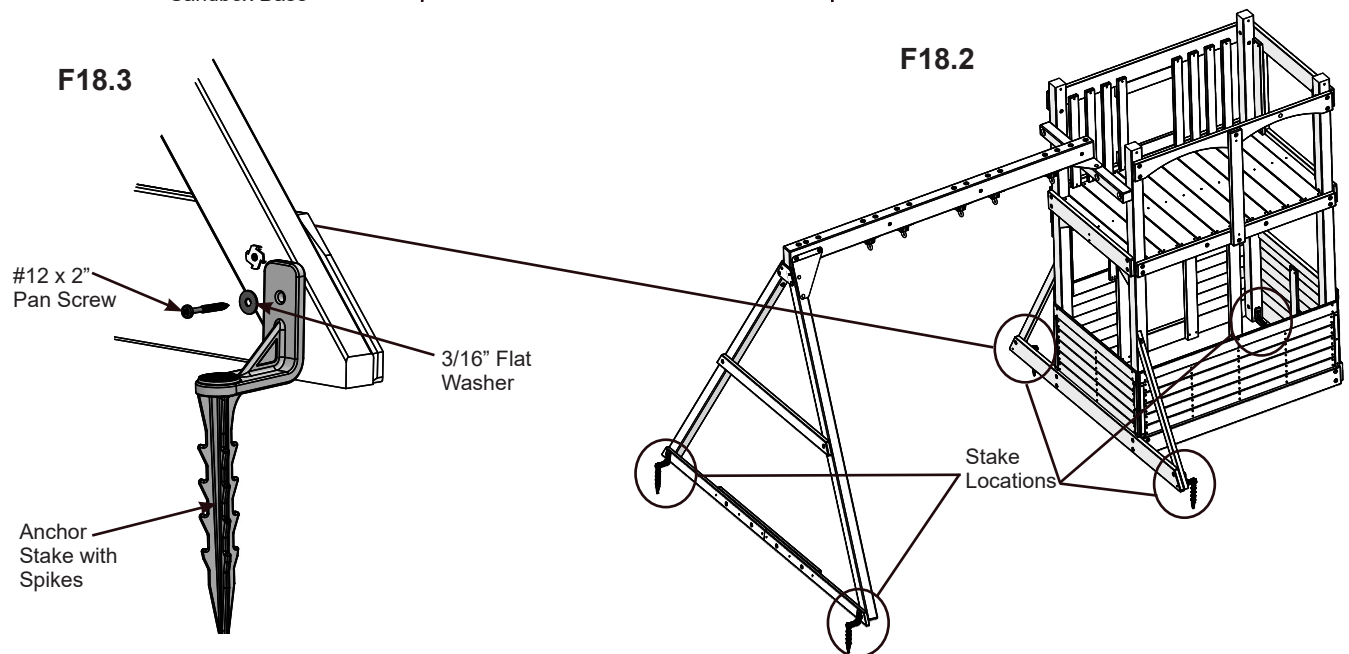
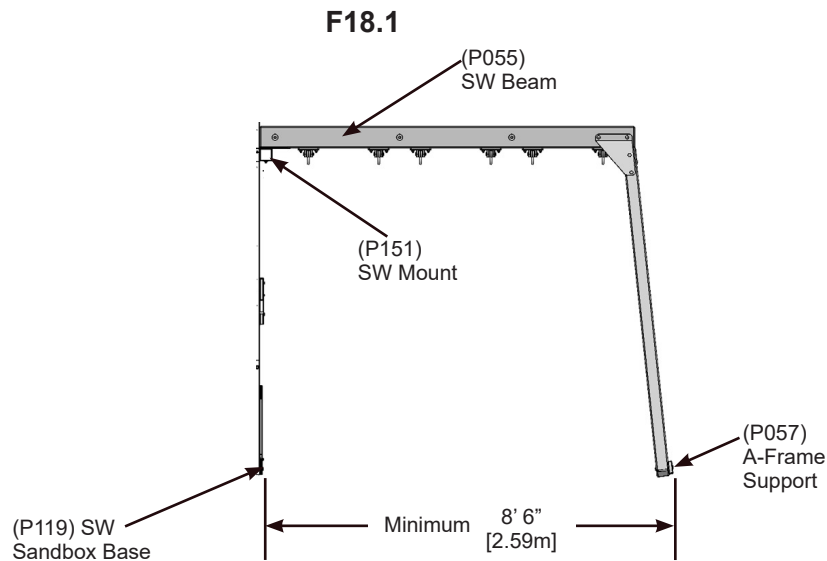


**MOVE FORT TO FINAL LOCATION PRIOR TO STAKING.  
FINAL LOCATION MUST BE LEVEL GROUND**

**⚠ WARNING!** To prevent tipping and avoid potential injury, stakes must be driven fully into ground. Digging or driving stakes can be dangerous if you do not check first for underground wiring, cables or gas lines.

**A:** Adjust A-Frame Assembly so the distance between the (P059) SW Ground and the outside of (P057) A-Frame Support is a Minimum 8' 6" [2.59m] and (P055) SW Beam is square to (P033) SW Mount. (F18.1)

**B:** Drive Anchor Stakes into the ground at the locations shown in F18.2, pre-drill and attach with one #12 x 2" Pan Screw (with 3/16" flat washer) per Stake. (F18.2 and F18.3)



**Components:**

5 x Anchor Stake with Spikes

**Hardware**

5 x #12 x 2" Pan Screw (with 3/16" flat washer)

# Step 19: Rock Wall Assembly



## Part 1

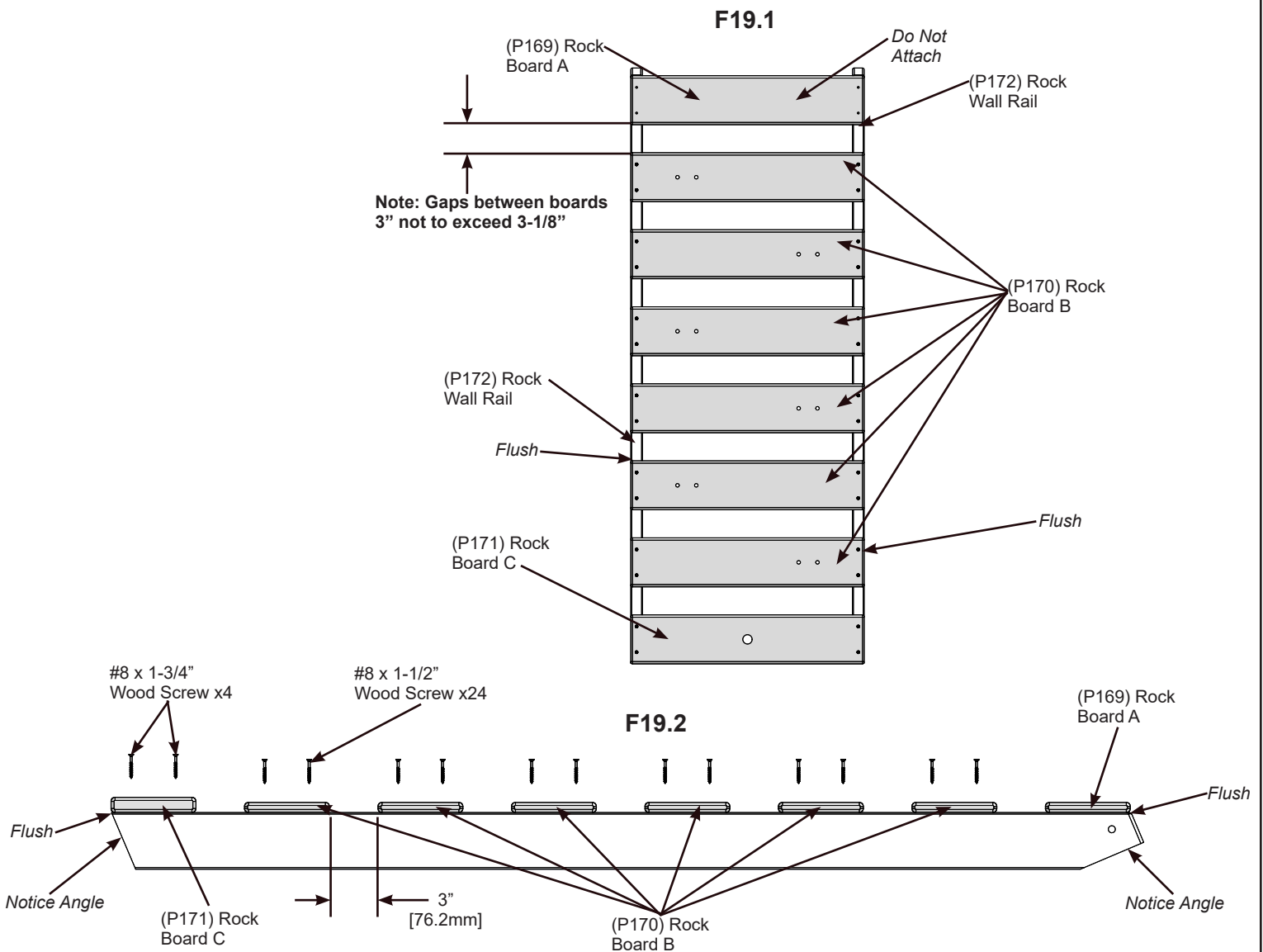
**A:** Lay two (P172) Rock Wall Rails side by side, with the angled ends facing downward. (F19.1 and F19.2)

**B:** Place (P171) Rock Board C across the bottom ends and flush to outside edge of (P172) Rock Wall Rails. (F19.1 and F19.2)

**C:** At the opposite end of the (P172) Rock Wall Rails, place one (P169) Rock Board A so it's flush to the ends and outside edges of the rails. Do not attach. (F19.1 and F19.2)

**D:** Orientate six (P170) Rock Board B's on top of (P172) Rock Wall Rails as shown in F19.1, flush to the edges, evenly spaced and do not exceed 3-1/8" [79.4mm] between boards. (F19.1 and F19.2)

**E:** Attach (P171) Rock Board C using four #8 x 1-3/4" Wood Screws and remaining Rock Boards using four #8 x 1-1/2" Wood Screws per Rock Board. (F19.1 and F19.2)



### Wood Parts

- 1 x (P169) Rock Board A
- 6 x (P170) Rock Board B
- 1 x (P171) Rock Board C
- 2 x (P172) Rock Wall Rail

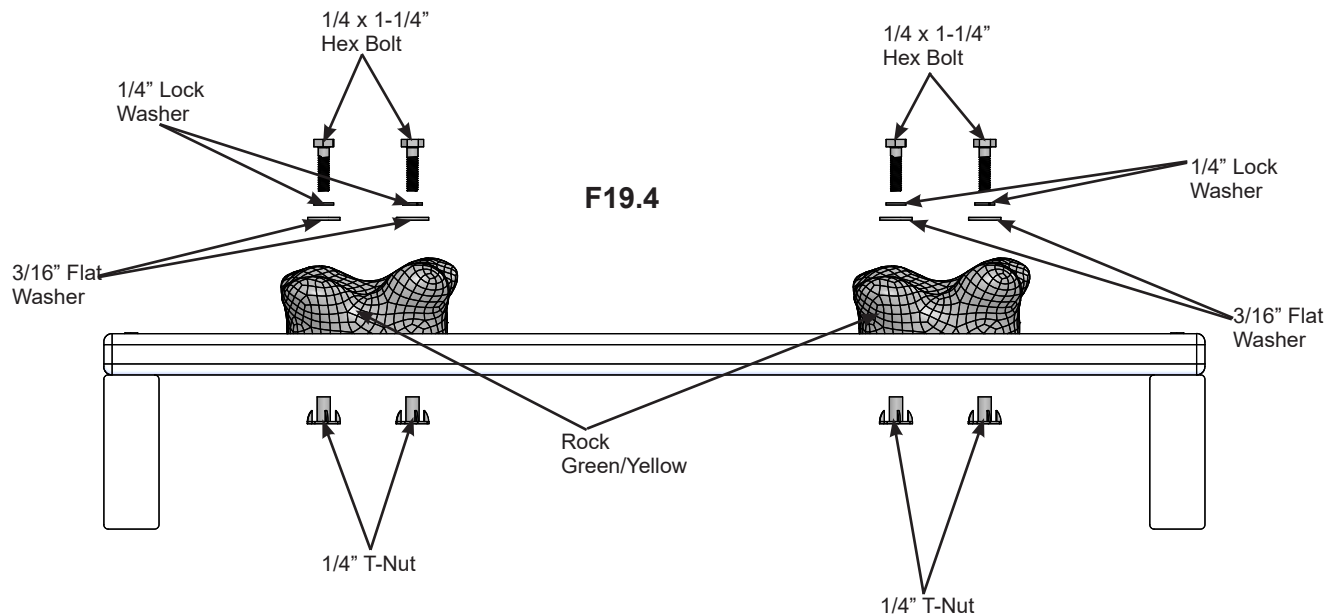
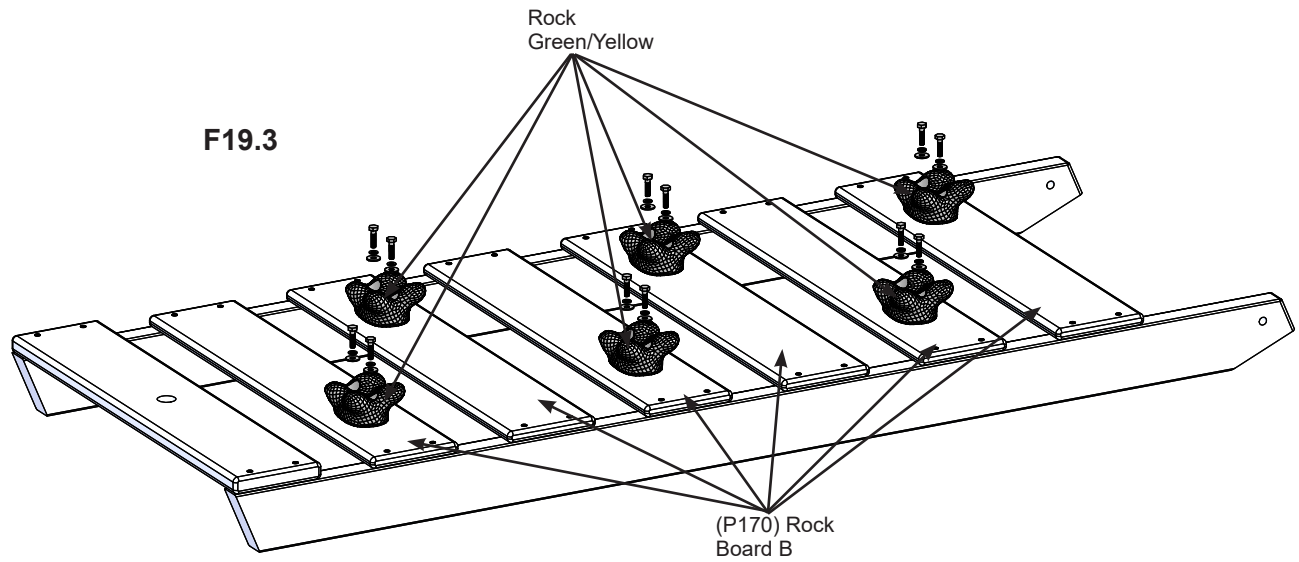
### Hardware

- 24 x #8 x 1-1/2" Wood Screw
- 4 x #8 x 1-3/4" Wood Screw

# Step 19: Rock Wall Assembly

## Part 2

F: Place one Rock on each (P170) Rock Board B, alternating colors as desired. Attach using two 1/4 x 1-1/4" Hex Bolts (with 1/4" lock washer, 3/16" flat washer and 1/4" t-nut) per Rock. (F19.3 and F19.4)



### Components:

3 x Rock Green  
3 x Rock Yellow

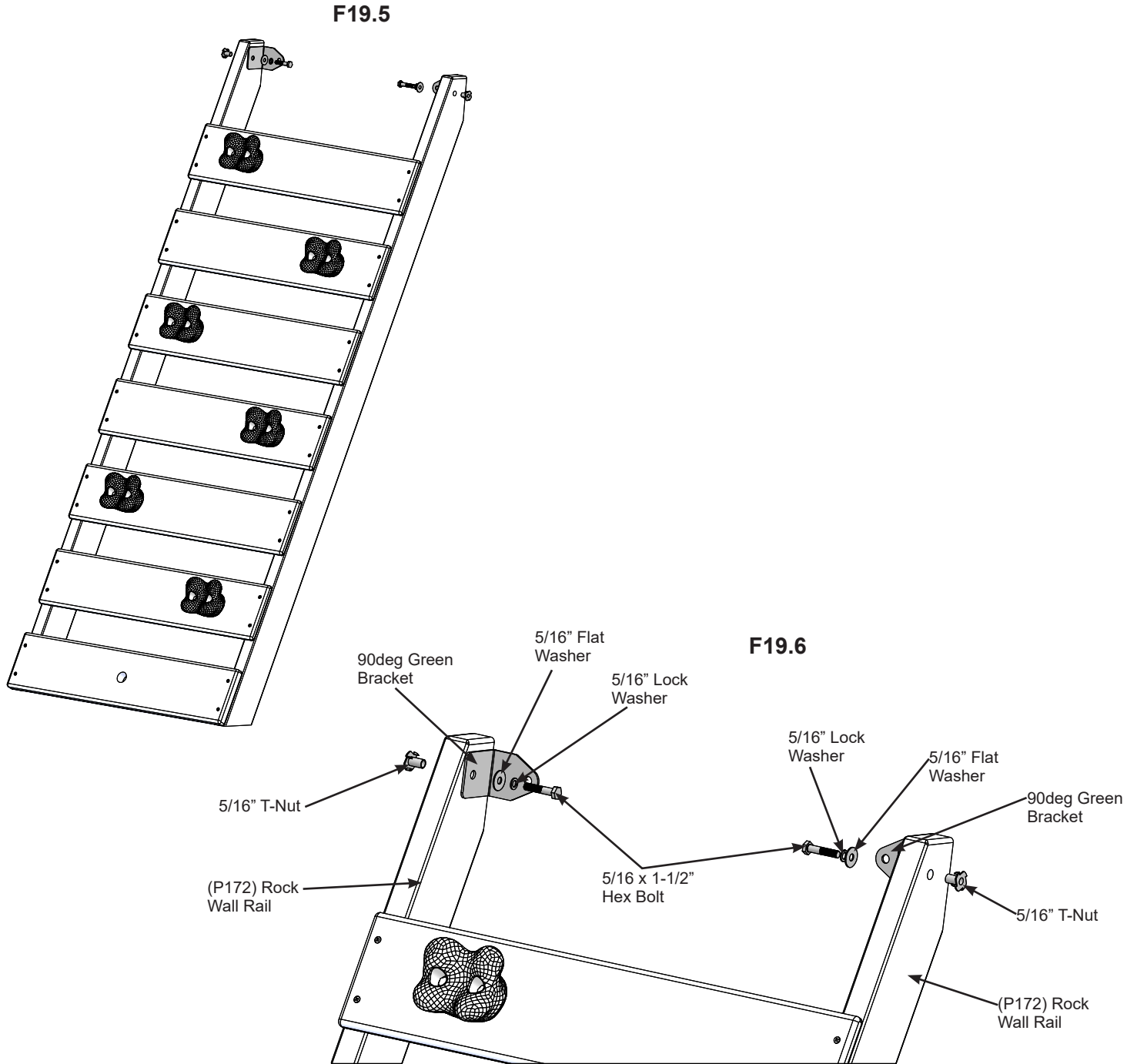
### Hardware

12 x 1/4 x 1-1/4" Hex Bolt  
(with 1/4" lock washer, 3/16" flat washer, 1/4" t-nut)

# Step 19: Rock Wall Assembly

## Part 3

**G:** On the inside and top of each (P172) Rock Wall Rail attach a 90deg Green Bracket using one 5/16 x 1-1/2" Hex Bolt (with 5/16" lock washer, 5/16" flat washer and 5/16" t-nut) per bracket. (F19.5 and F19.6)



### Components:

2 x 90deg Green Bracket

### Hardware

2 x 5/16 x 1-1/2" Hex Bolt  
(with 5/16" lock washer, 5/16" flat washer, 5/16" t-nut)

# Step 20: Attach Rock Wall Assembly

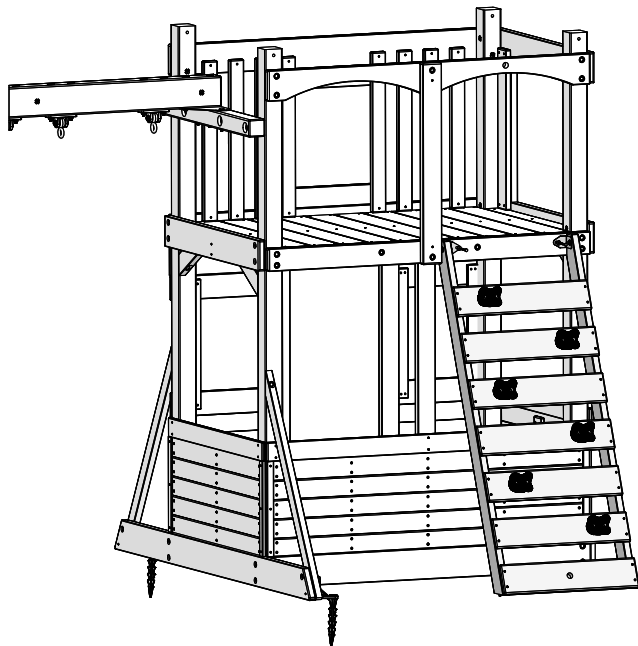


## Part 1

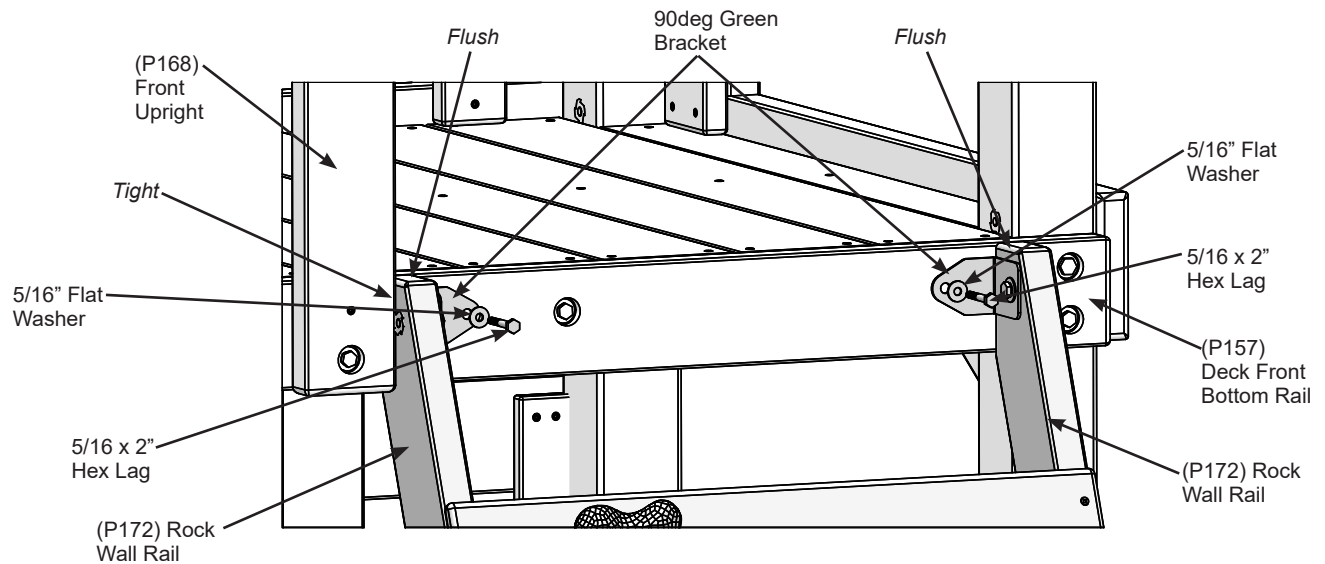
**Note:** Pre-drill all pilot holes using a 1/8" drill bit before installing Hex Lag.

**A:** Place Rock Wall Assembly so the (P172) Rock Wall Rail is tight to (P168) Front Upright and the top is flush to the top of the Floor Boards. Attach Rock Wall Assembly to (P157) Deck Front Bottom Rail with two 5/16 x 2" Hex Lags (with 5/16" flat washer).

F20.1



F20.2



### Hardware

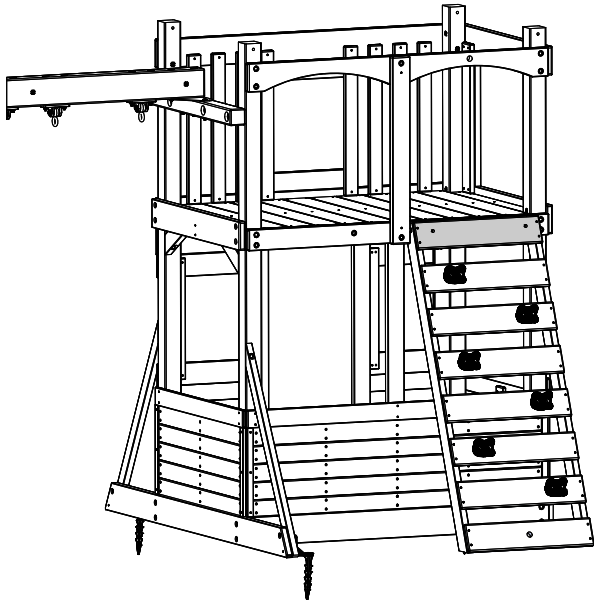
2 x 5/16 x 2" Hex Lag (with 5/16" flat washer)

# Step 20: Attach Rock Wall Assembly

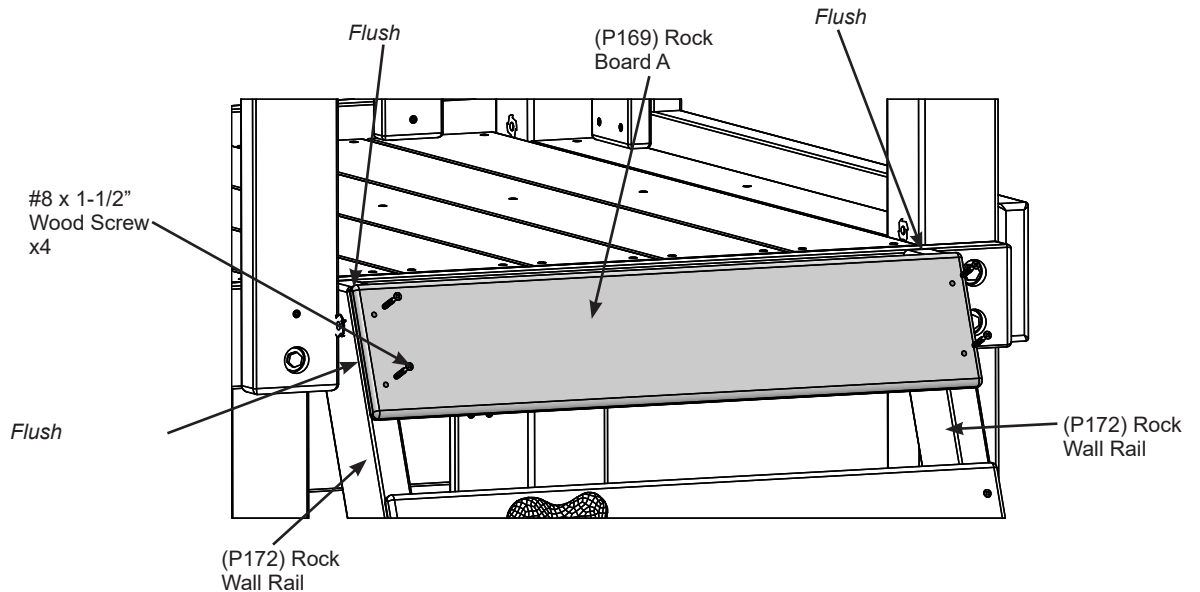
## Part 2

**B:** Attach one (P169) Rock Board A from Step 19 Part 1 flush to the ends and top of (P172) Rock Wall Rails using four #8 x 1-1/2" Wood Screws (F20.3 and F20.4)

**F20.3**



**F20.4**



### Wood Parts

1 x (P169) Rock Board A

### Hardware

4 x #8 x 1-1/2" Wood Screw

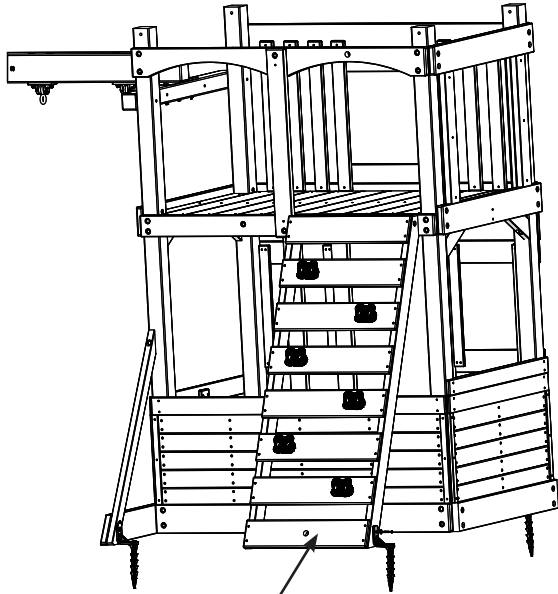
# Step 20: Attach Rock Wall Assembly

## Part 3

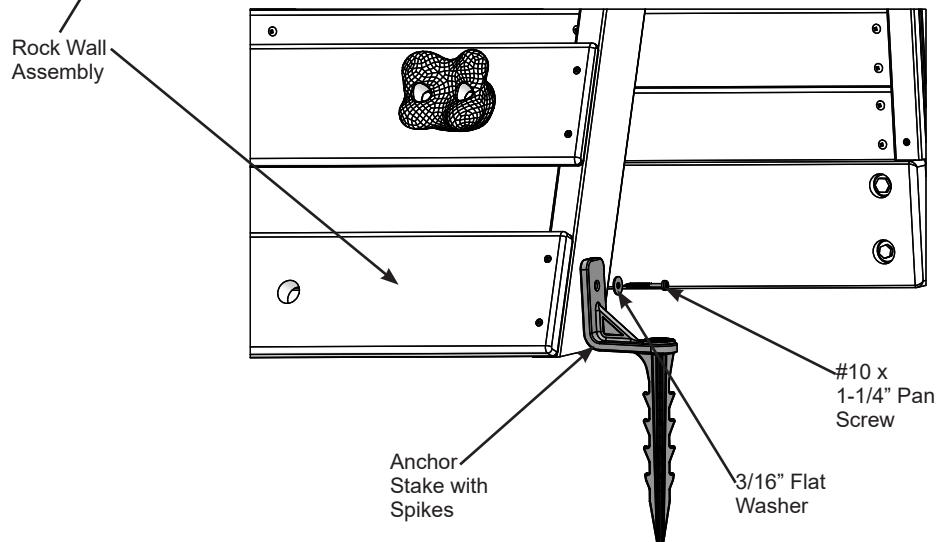
**WARNING!** To prevent tipping and avoid potential injury, stakes must be driven fully into ground. Digging or driving stakes can be dangerous if you do not check first for underground wiring, cables or gas lines.

**C:** Drive Anchor Stake into the ground at the location shown in F20.5 and F20.6 then attach with one #10 x 1-1/4" Pan Screw (with 3/16" flat washer).

F20.5



F20.6



### Components:

1 x Anchor Stake with Spikes

### Hardware

1 x #10 x 1-1/4" Pan Screw (with 3/16" flat washer)



# Step 21: Access Assembly

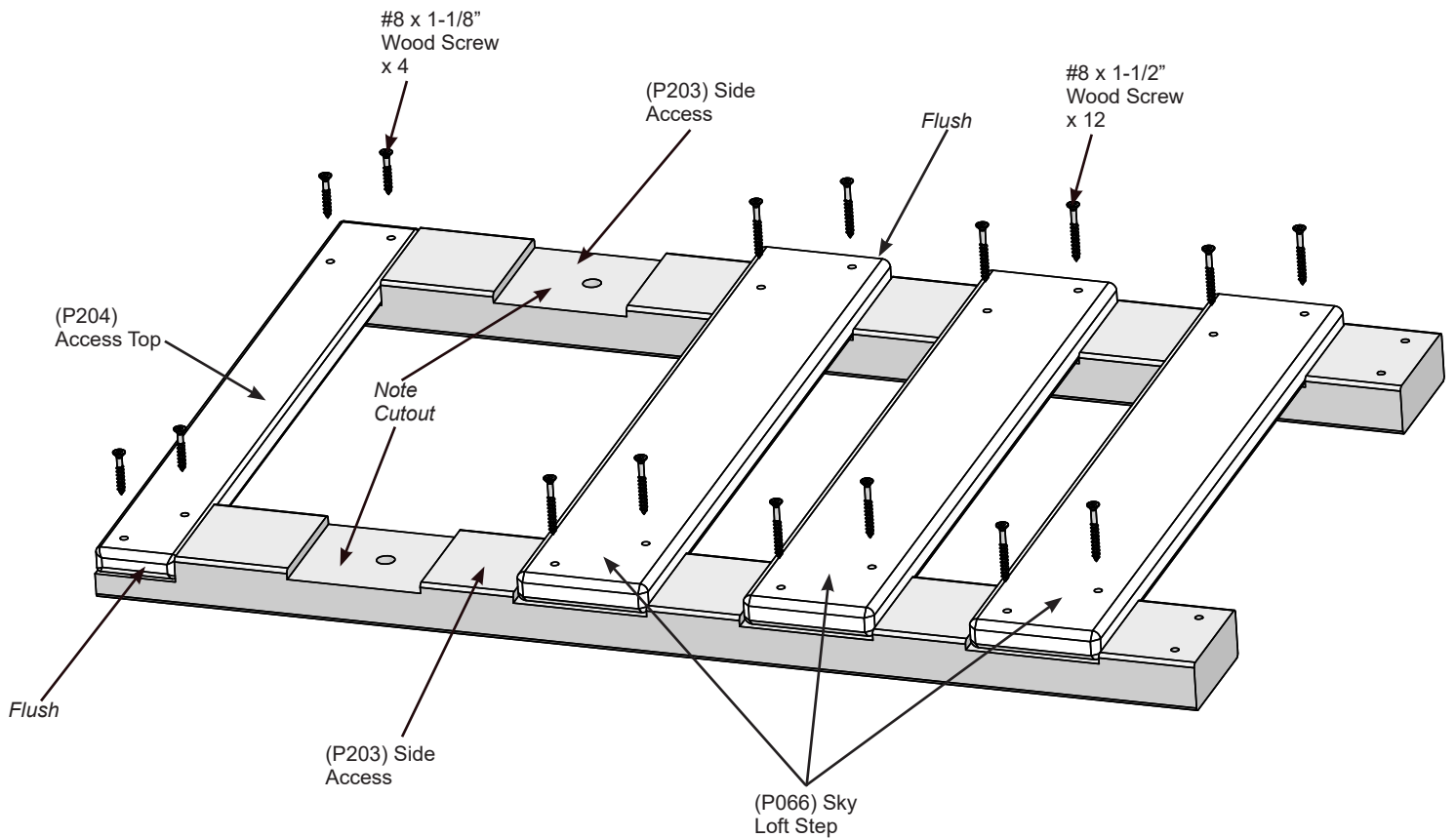
## Part 1



**A:** Lay two (P203) Side Access's so they are side by side with the cut outs facing up. Place three (P066) Sky Loft Steps into the cut outs without holes so they are flush to the outer edges of the (P203) Side Access. Make sure Access Assembly is square and attach with four #8 x 1-1/2" Wood Screws per board. (F22.1)

**B:** Place one (P204) Access Top on the top cut outs so it is flush to the outside edges of the (P203) Side Access and attach with four #8 x 1-1/8" Wood Screws. (F22.1)

F21.1



### Wood Parts

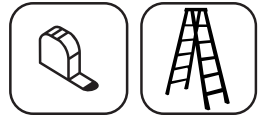
- 3 x (P066) Sky Loft Step
- 2 x (P203) Side Access
- 1 x (P204) Access Top

### Hardware

- 4 x #8 x 1-1/8" Wood Screw
- 12 x #8 x 1-1/2" Wood Screw

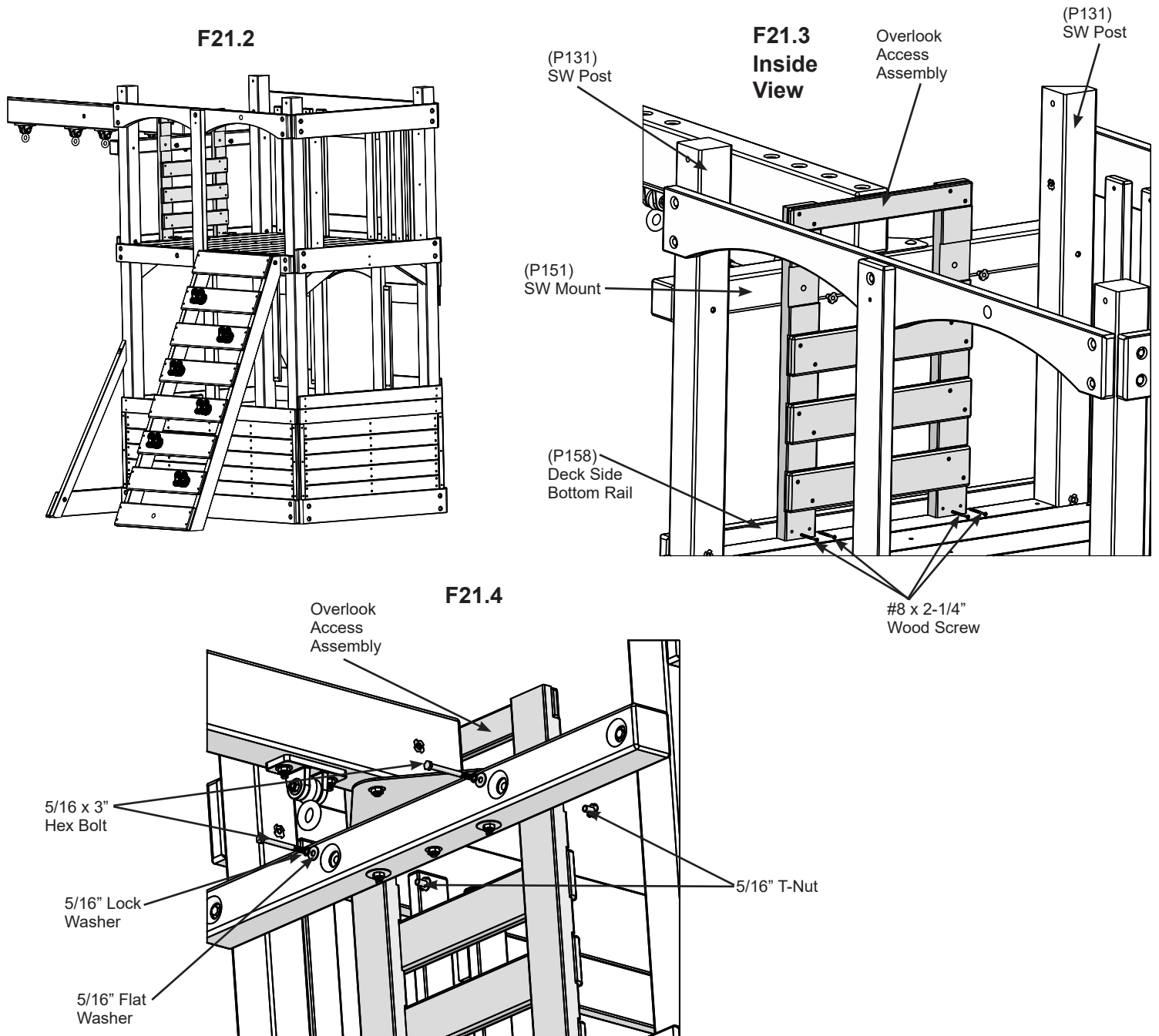
# Step 21: Access Assembly

## Part 2



**C:** From inside the assembly, position Access Assembly so it is centred between posts and the pre drilled holes in the Access Assembly aligns with the bolt holes in (P151) SW Mount. Attach to (P151) SW Mount using two 5/16 x 3" Hex Bolts (with 5/16" lock washer, 5/16" flat washer and 5/16" t-nut). (F21.2, F21.3 and F21.4)

**D:** Attach the bottom of the Access Assembly to (P158) Deck Side Bottom Rail using four #8x 2-1/4" Wood Screws. (F21.2 and F21.3)



### Hardware

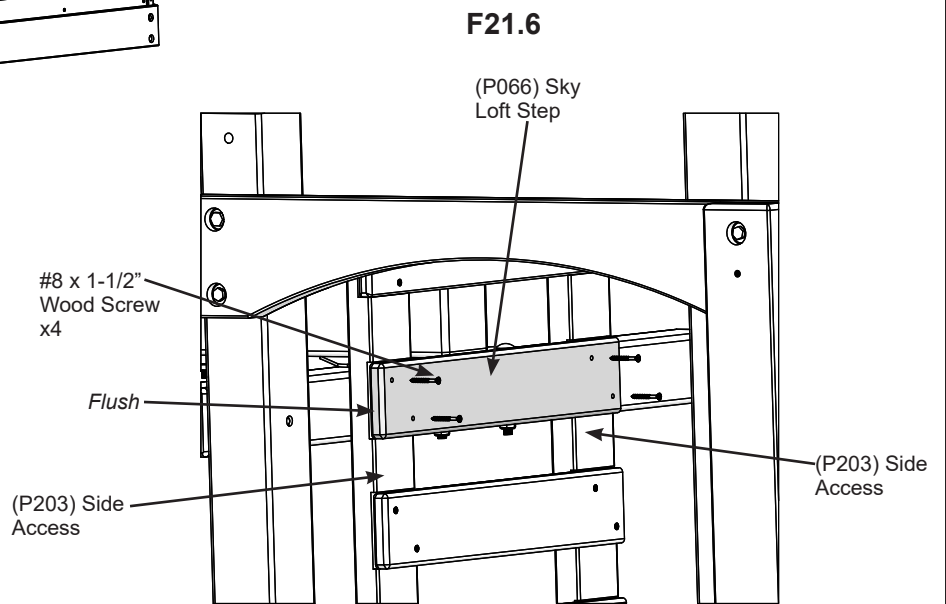
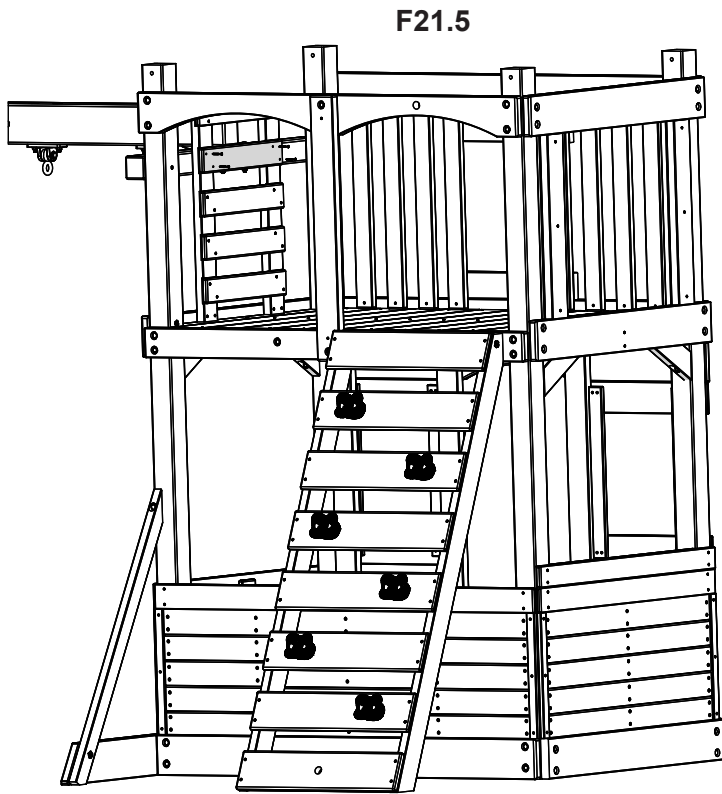
4 x #8 x 2-1/4" Wood Screw

2 x 5/16 x 3" Hex Bolt  
(with 5/16" lock washer, 5/16" flat washer, 5/16 t-nut)

# Step 21: Access Assembly

## Part 3

E: Place one (P066) Sky Loft Step in the grooves of both (P203) Side Access's and attach with four #8 x 1-1/2" Wood Screws. (F21.5 and F21.6)



### Wood Parts

1 x (P066) Sky Loft Step

### Hardware

4 x #8 x 1-1/2" Wood Screw

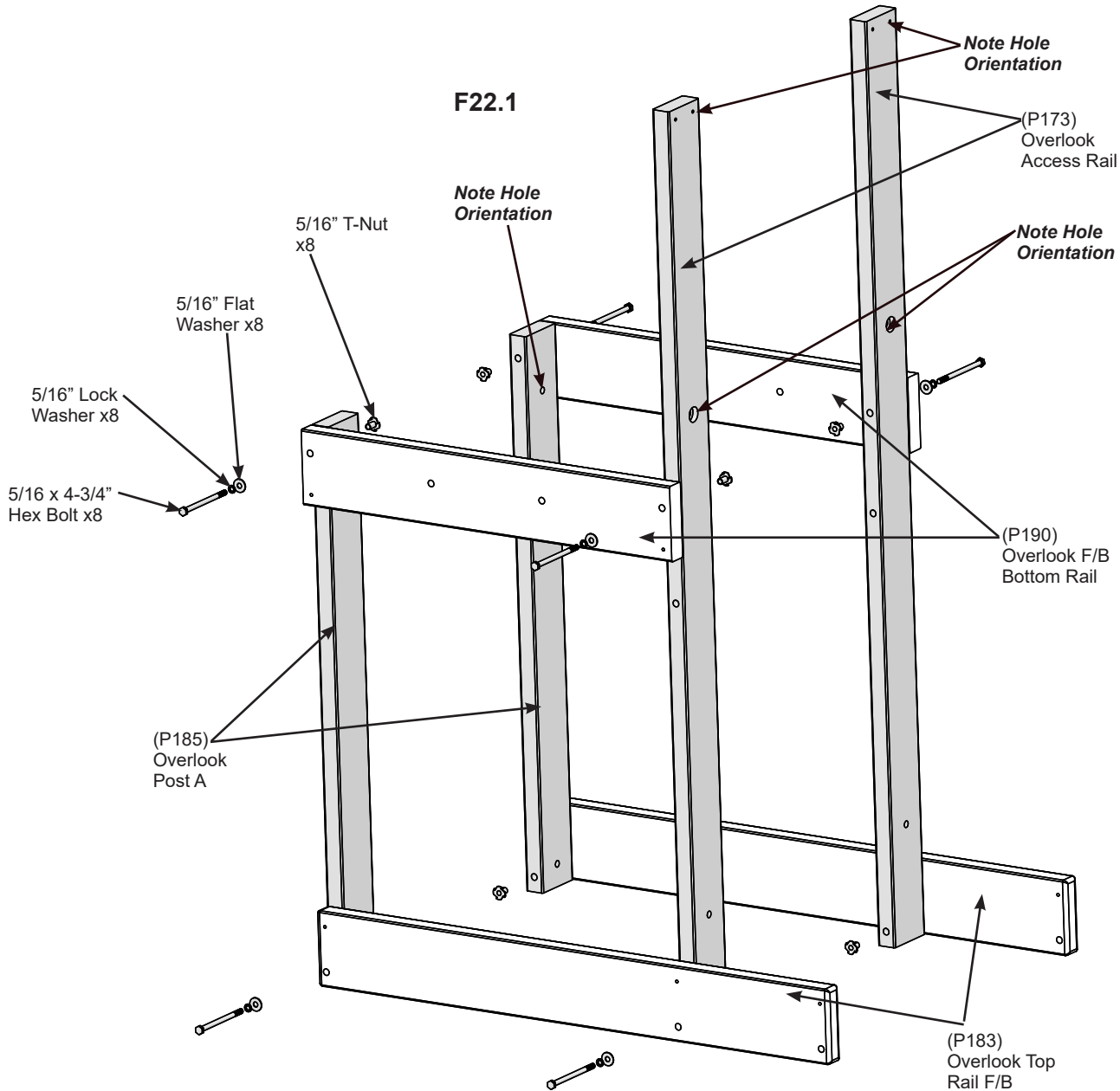
# Step 22: Overlook Assembly

## Part 1

**A:** Taking note of hole orientation, loosely attach one (P185) Overlook Post A and one (P173) Overlook Access Rail to a (P183) Overlook Top Rail F/B using two 5/16 x 4-3/4" Hex Bolts (with 5/16" lock washer, 5/16" flat washer and 5/16" t-nut). (F22.1)

**B:** Taking note of hole orientation, loosely attach one (P185) Overlook Post A and one (P173) Overlook Access Rail to a (P190) Overlook F/B Bottom Rail using two 5/16 x 4-3/4" Hex Bolts (with 5/16" lock washer, 5/16" flat washer and 5/16" t-nut). (F22.1)

**C:** Repeat Steps A-B to create a second assembly as shown in F22.1.



### Wood Parts

- 2 x (P173) Overlook Access Rail
- 2 x (P183) Overlook Top Rail F/B
- 2 x (P185) Overlook Post A
- 2 x (P190) Overlook F/B Bottom Rail

### Hardware

- 8 x 5/16 x 4-3/4" Hex Bolt  
(with 5/16" lock washer, 5/16" flat washer, 5/16" t-nut)

# Step 22: Overlook Assembly

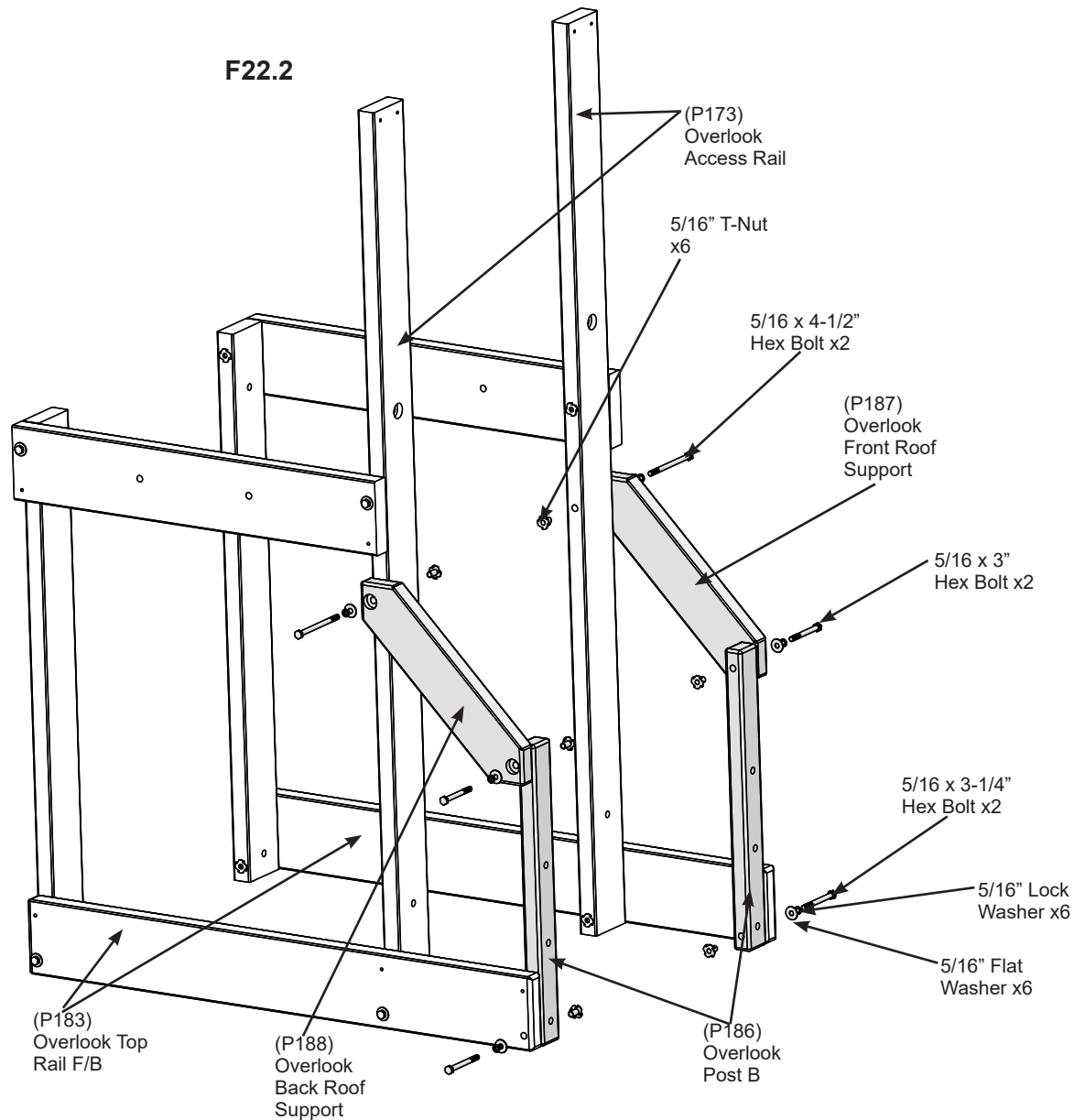
## Part 2



**D:** Taking note of hole orientation, loosely attach one (P186) Overlook Post B to the inside of each (P183) Overlook Top F/B using one 5/16 x 3-1/4" Hex Bolts (with 5/16" lock washer, 5/16" flat washer and 5/16" t-nut). (F22.2)

**E:** Through the countersunk holes loosely attach one (P188) Overlook Back Roof Support to (P173) Overlook Access Rail and (P186) Overlook Post B using one 5/16 x 3" Hex Bolt (with 5/16" lock washer, 5/16" flat washer and 5/16" t-nut) and one 5/16 x 4-1/2" Hex Bolt (with 5/16" lock washer, 5/16" flat washer and 5/16" t-nut). (F22.2)

**F:** Through the countersunk holes loosely attach one (P187) Overlook Front Roof Support to (P173) Overlook Access Rail and (P186) Overlook Post B using one 5/16 x 3" Hex Bolt (with 5/16" lock washer, 5/16" flat washer and 5/16" t-nut) and one 5/16 x 4-1/2" Hex Bolt (with 5/16" lock washer, 5/16" flat washer and 5/16" t-nut). (F22.2)



### Wood Parts

- 2 x (P186) Overlook Post B
- 1 x (P187) Overlook Front Roof Support
- 1 x (P188) Overlook Back Roof Support

- 2 x 5/16 x 4-1/2" Hex Bolt  
(with 5/16" lock washer, 5/16" flat washer, 5/16" t-nut)

### Hardware

- 2 x 5/16 x 3" Hex Bolt  
(with 5/16" lock washer, 5/16" flat washer, 5/16" t-nut)
- 2 x 5/16 x 3-1/4" Hex Bolt  
(with 5/16" lock washer, 5/16" flat washer, 5/16" t-nut)

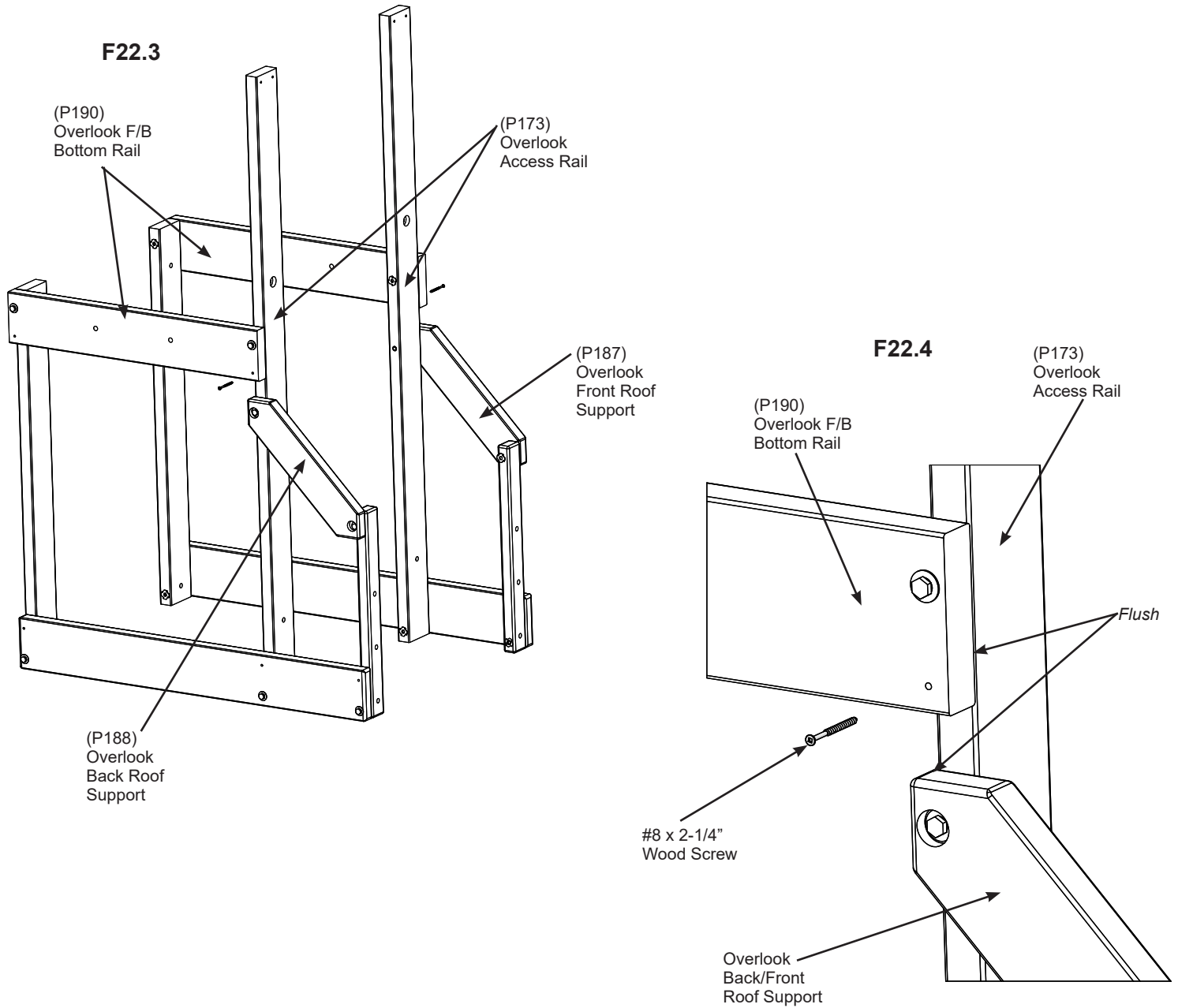
# Step 22: Overlook Assembly

## Part 3



**G:** Ensure (P190) Overlook F/B Bottom Rail is square and flush to (P173) Overlook Access Rail and attach with one #8 x 2-1/4" Wood Screw per board (F22.3 and F22.4)

**H:** Ensure (P188) Overlook Back Roof Support and (P187) Overlook Front Roof Support are flush to (P173) Overlook Access Rail and tighten bolt in each Overlook Roof Support. (F22.3 and F22.4)



### Hardware

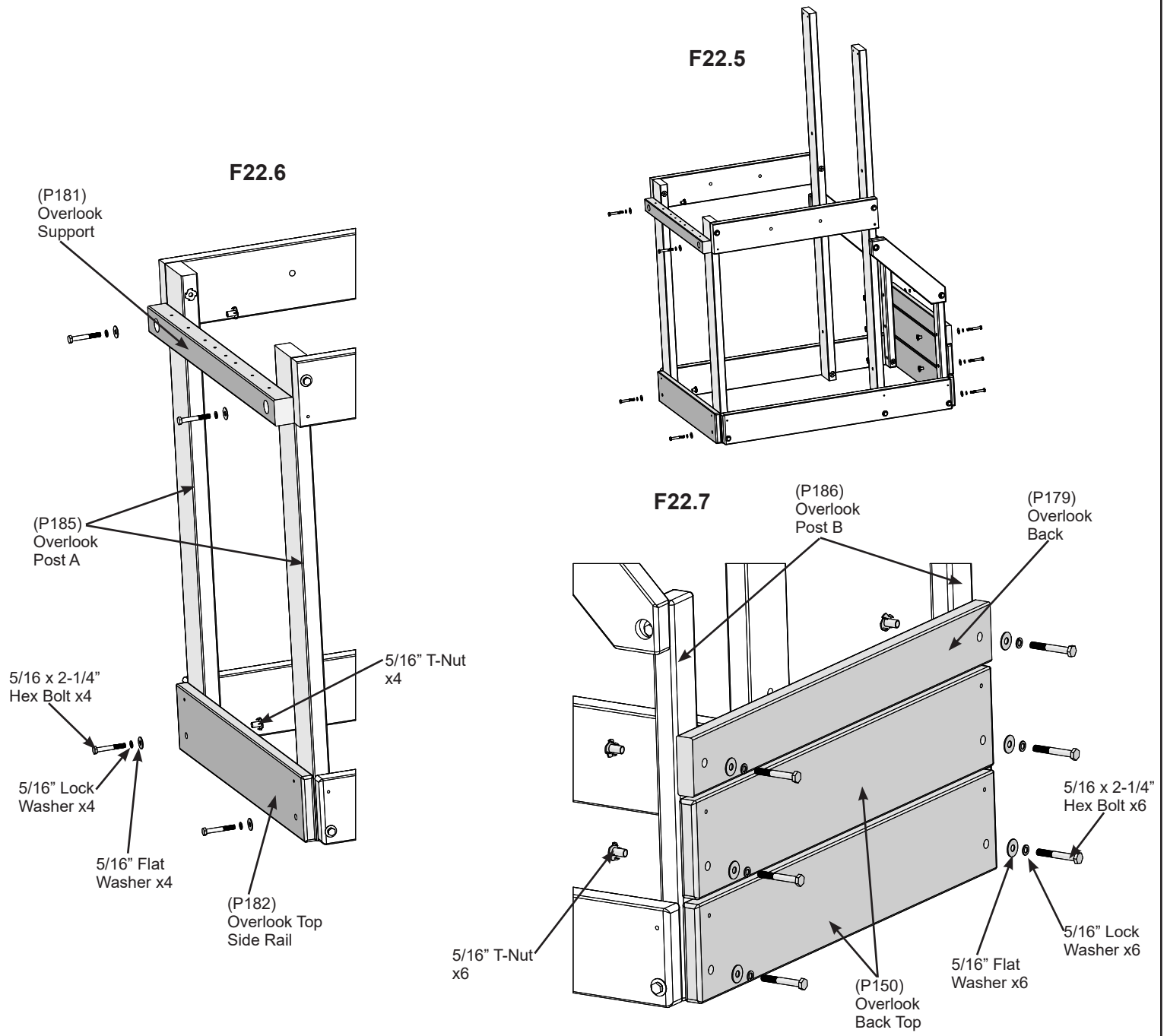
2 x #8 x 2-1/4" Wood Screw

# Step 22: Overlook Assembly Part 4



**I:** Stand the assemblies side by side with Posts to the inside, then loosely attach (P182) Overlook Top Side Rail to the lower holes and (P181) Overlook Support in the upper holes of (P185) Overlook Post A's using two 5/16 x 2-1/4" Hex Bolts (with 5/16" lock washer, 5/16" flat washer and 5/16" t-nut) per board. (F22.5 and F22.6)

**J:** Loosely attach two (P150) Overlook Back Tops and one (P179) Overlook Back on (P186) Overlook Post B's using two 5/16 x 2-1/4" Hex Bolts (with 5/16" lock washer, 5/16" flat washer and 5/16" t-nut) per board as shown in F22.5 and F22.7.



### Wood Parts

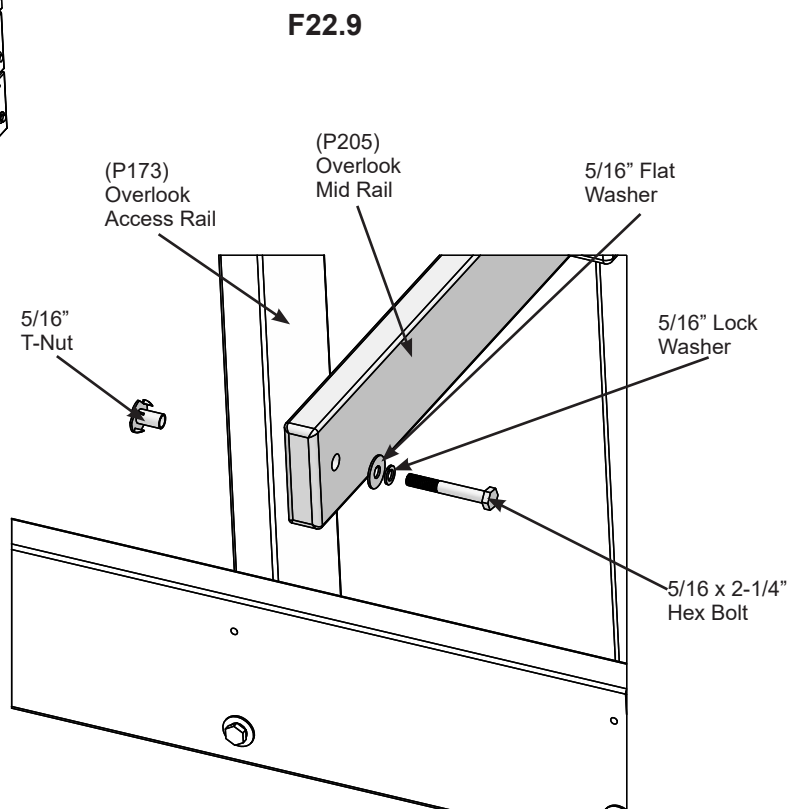
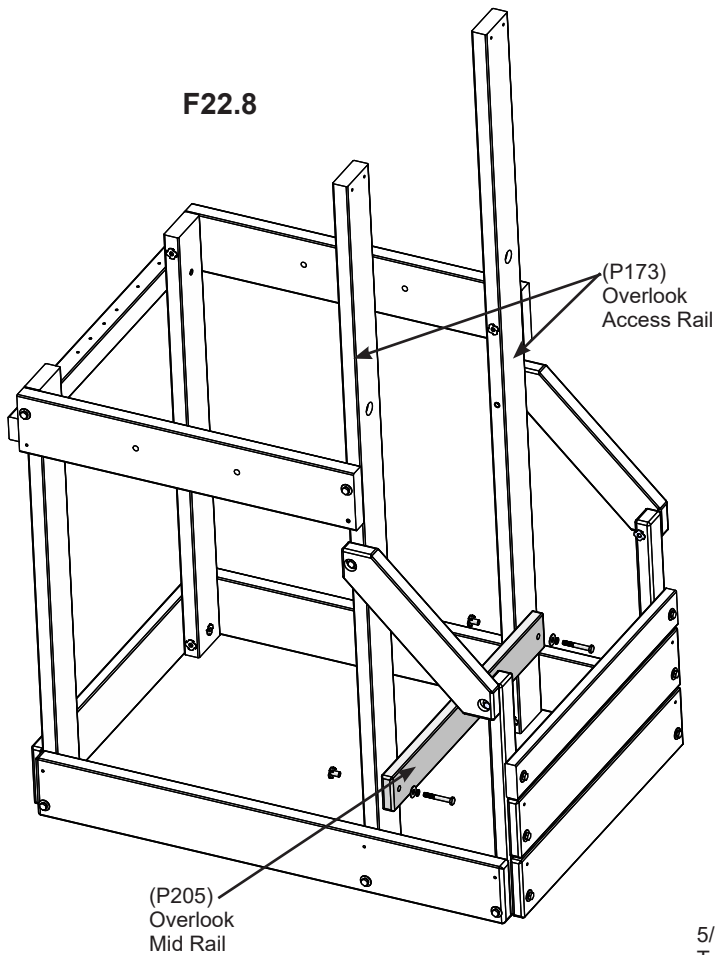
- 2 x (P150) Overlook Back Top
- 1 x (P179) Overlook Back
- 1 x (P181) Overlook Support
- 1 x (P182) Overlook Top Side Rail

### Hardware

- 10 x 5/16 x 2-1/4" Hex Bolt  
(with 5/16" lock washer, 5/16" flat washer, 5/16" t-nut)

## Step 22: Overlook Assembly Part 5

**K:** Loosely attach a (P205) Overlook Mid Rail to (P173) Overlook Access Rails using two 5/16 x 2-1/4" Hex Bolts (with 5/16" lock washer, 5/16" flat washer and 5/16" t-nut). (F22.8 and F22.9)



### Wood Parts

1 x (P205) Overlook Mid Rail

### Hardware

2 x 5/16 x 2-1/4" Hex Bolt  
(with 5/16" lock washer, 5/16" flat washer, 5/16" t-nut)



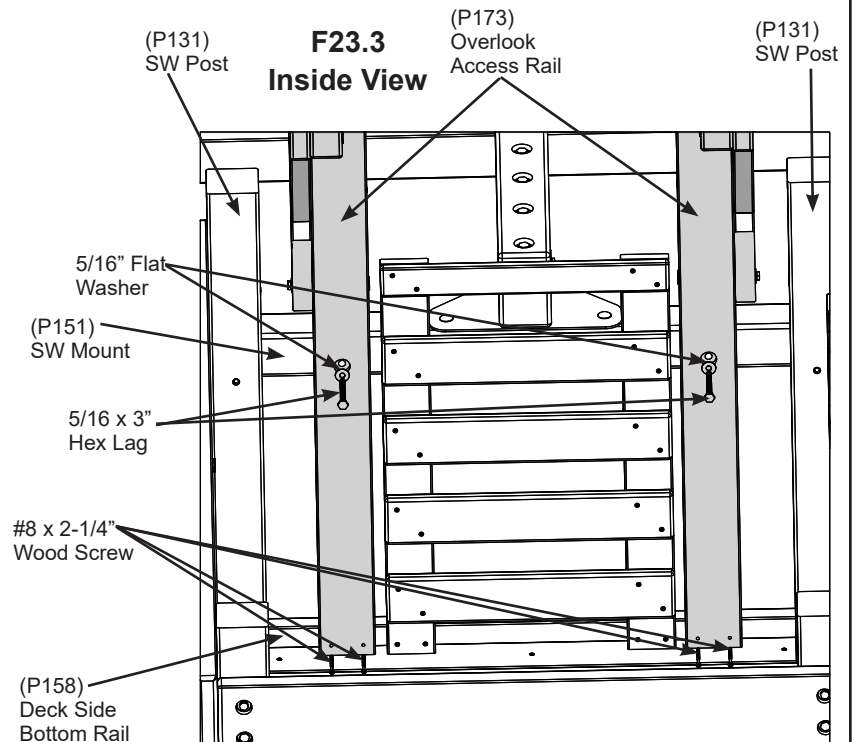
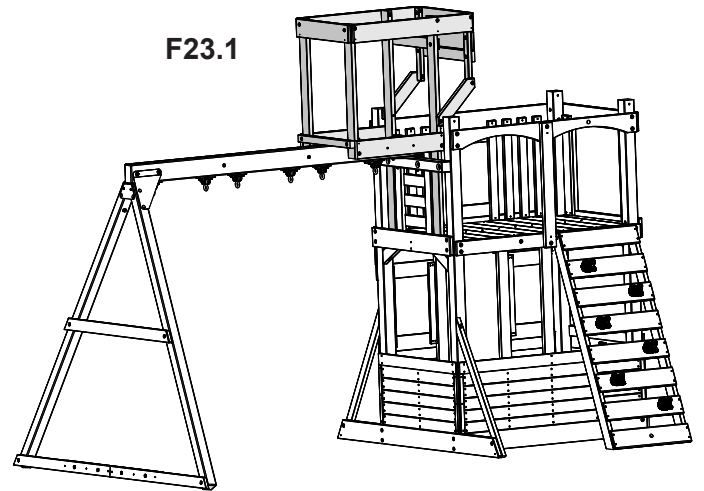
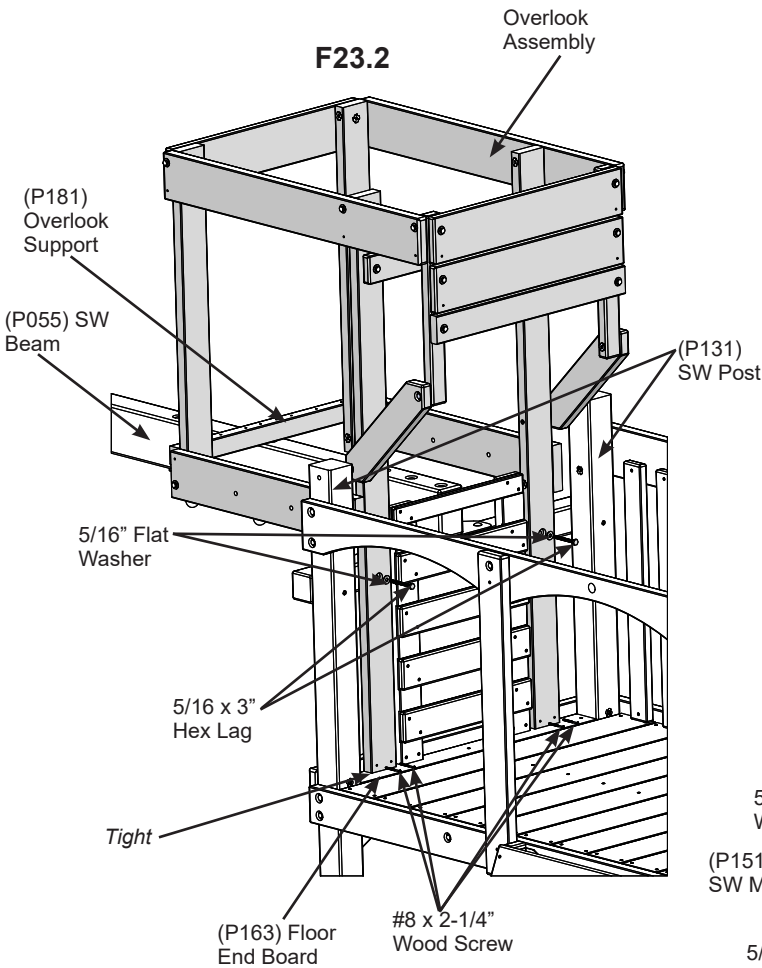
# Step 23: Attach Overlook Assembly



**Note:** Pre-drill all pilot holes using a 1/8" drill bit before installing Hex Lag.

**A:** With at least one helper, lift the Overlook Assembly up over the Swing Beam Assembly and place the assembly so the (P173) Overlook Access Rails are inside the fort and the (P181) Overlook Support is resting on the (P055) SW Beam. (F23.1)

**B:** Center (P173) Overlook Access Rails between (P131) SW Posts and tight to (P163) Floor End Board. Ensure (P173) Overlook Access Rails are square and attach with two #8 x 2-1/4" Wood Screws and one 5/16 x 3" Hex Lag (with 5/16" flat washer) per board. (F23.2 and F23.3)



### Hardware

4 x #8 x 2-1/4" Wood Screw

2 x 5/16 x 3" Hex Lag (with 5/16" flat washer)



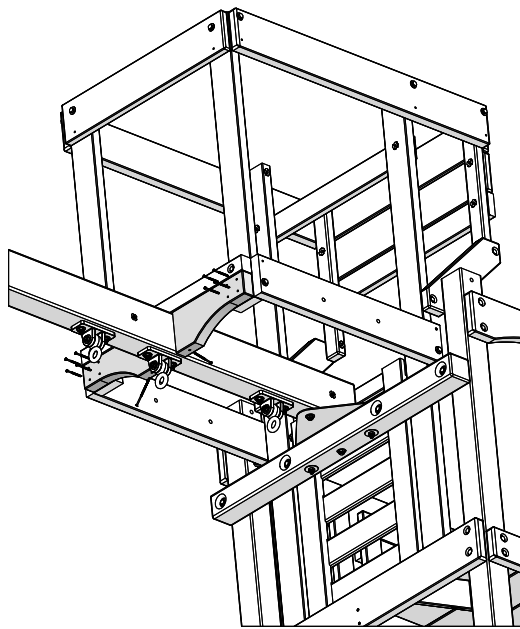
# Step 24: Attach Gussets

**A:** On both sides of (P055) SW Beam, place one (P180) Overlook Gusset tight to the (P055) SW Beam and (P181) Overlook Support. Ensure the end of (P180) Overlook Gusset is flush to the end of (P181) Overlook Support and attach to (P185) Overlook Post A with four #8 x 2-1/4" Wood Screws. (F24.1 and F24.2)

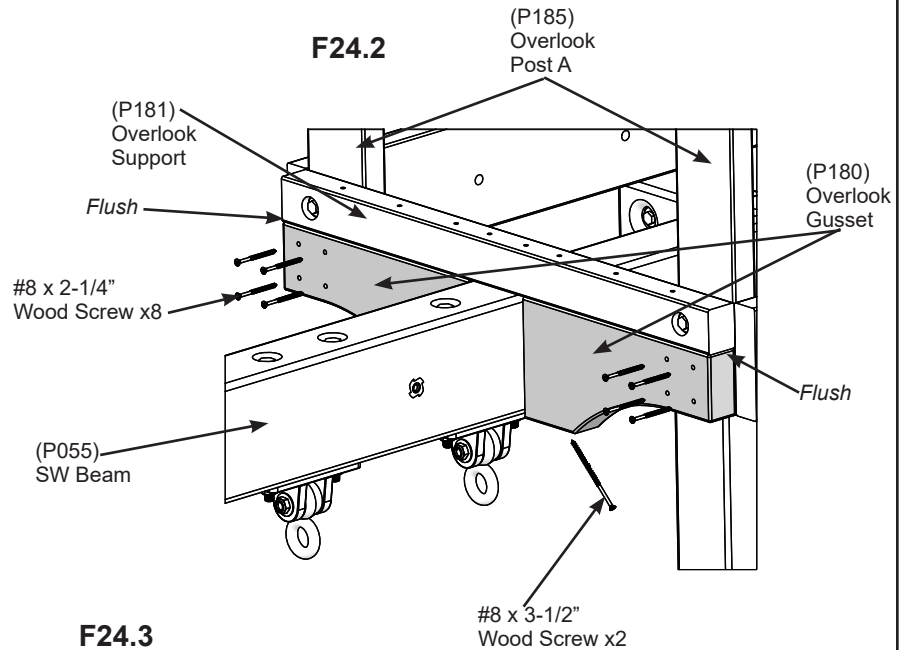
**B:** Attach (P180) Overlook Gusset to (P055) SW Beam with one #8 x 3-1/2" Wood Screw. (F24.1 and F24.2)

**C:** Attach (P181) Overlook Support to both (P180) Overlook Gussets and (P055) SW Beam using eight #8 x 3" Wood Screws. (F24.3)

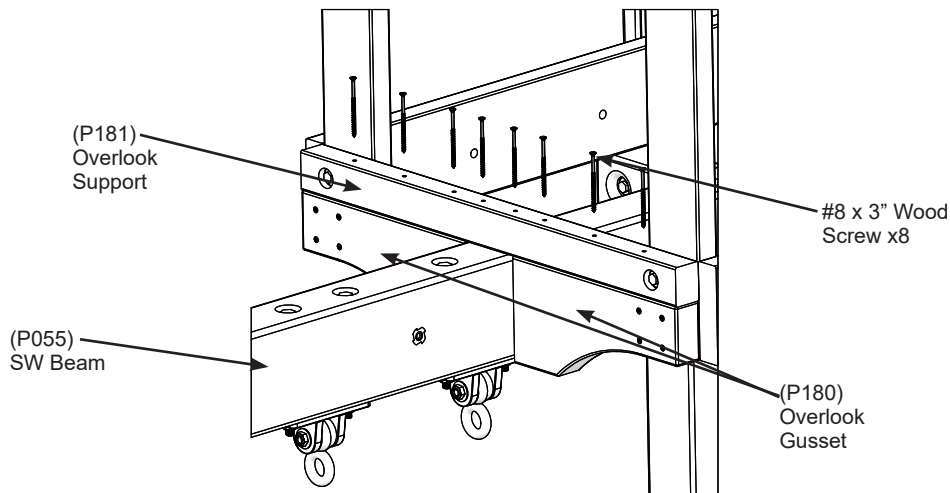
**F24.1**



**F24.2**



**F24.3**



### Wood Parts

2 x (P180) Overlook Gusset

### Hardware

8 x #8 x 2-1/4" Wood Screw

8 x #8 x 3" Wood Screw

2 x #8 x 3-1/2" Wood Screw

# Step 25: Secure Overlook Assembly

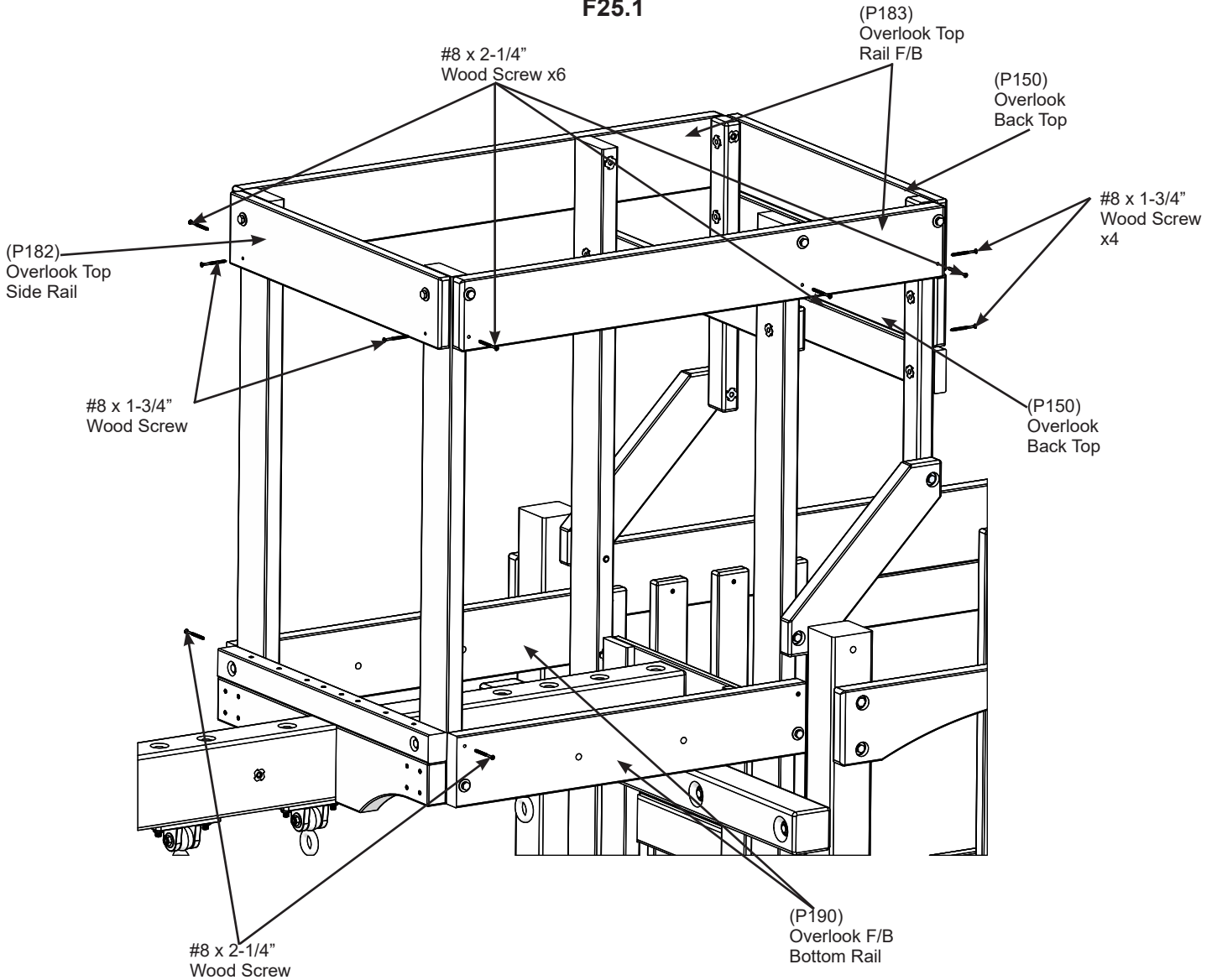


**A:** Check to make sure Overlook Assembly is square, then install two #8 x 1-3/4" Wood Screws in (P182) Overlook Top Side Rail and both (P150) Overlook Back Tops. (F25.1)

**B:** Install three #8 x 2-1/4" Wood Screws in each (P183) Overlook Top Rail F/B and one #8 x 2-1/4" Wood Screw in each (P190) Overlook F/B Bottom Rail. (F25.1)

**C:** Tighten all bolts.

F25.1



### Hardware

6 x #8 x 1-3/4" Wood Screw

8 x #8 x 2-1/4" Wood Screw

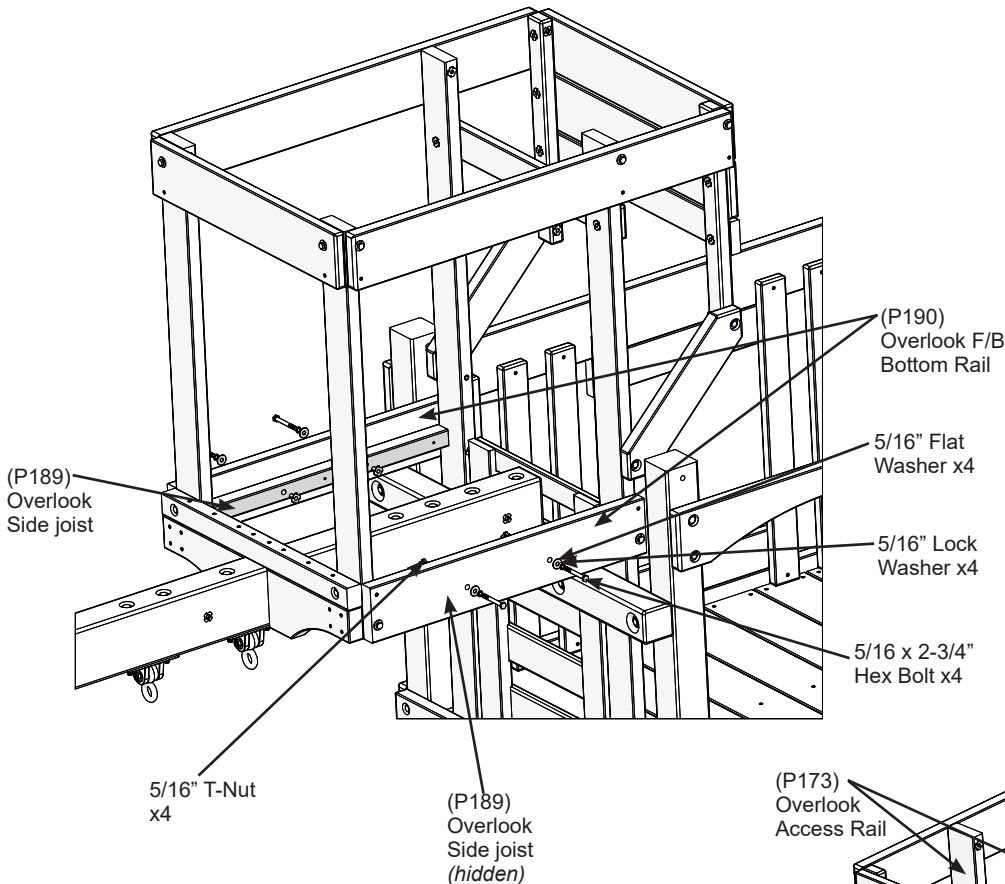
# Step 26: Overlook Floor Assembly Part 1



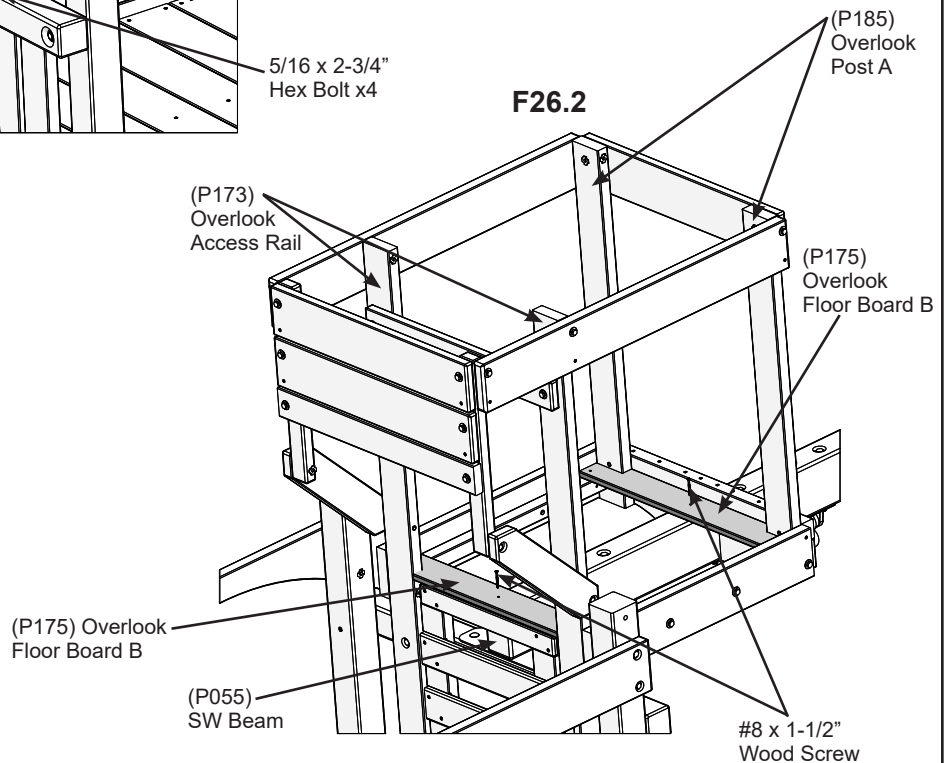
**A:** On the inside of both (P190) Overlook F/B Bottom Rail loosely attach two (P189) Overlook Side Joists using two 5/16 x 2-3/4" Hex Bolts (with 5/16" lock washer, 5/16" flat washer and 5/16" t-nut) per Joist. (F26.1)

**B:** Place one (P175) Overlook Floor Board B at each side of the Overlook Assembly so the notch outs are tight to the (P185) Overlook Post A's and (P173) Overlook Access Rails. Attach (P175) Overlook Floor Board B's to (P055) SW Beam with one #8 x 1-1/2" Wood Screw per board. (F26.1 and F26.2)

**F26.1**



**F26.2**



**Wood Parts**

- 2 x (P175) Overlook Floor Board B
- 2 x (P189) Overlook Side Joist

**Hardware**

- 2 x #8 x 1-1/2" Wood Screw
- 4 x 5/16 x 2-3/4" Hex Bolt (with 5/16" lock washer, 5/16" flat washer, 5/16" t-nut)

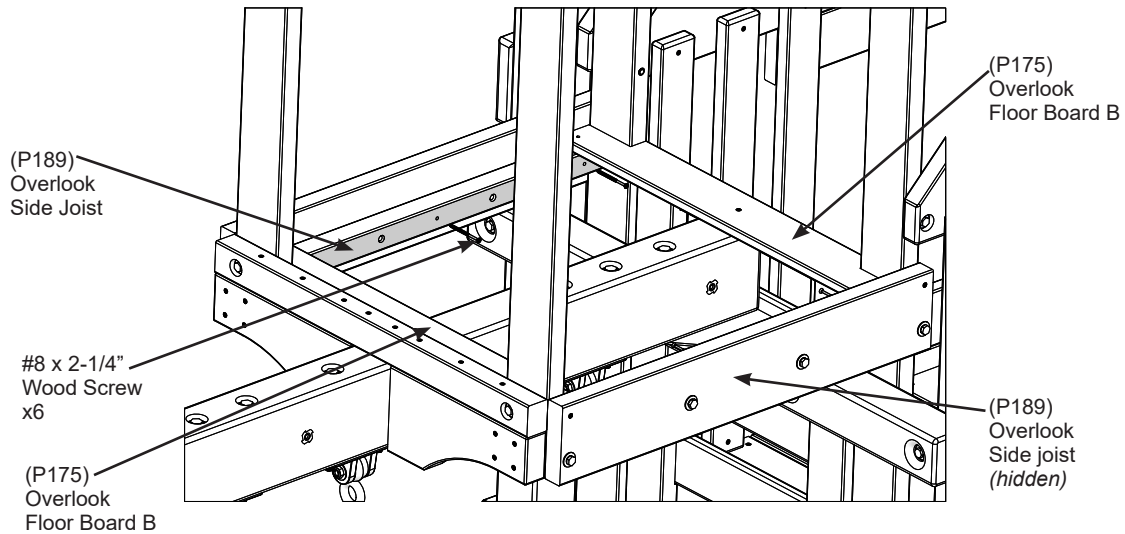
# Step 26: Overlook Floor Assembly Part 2



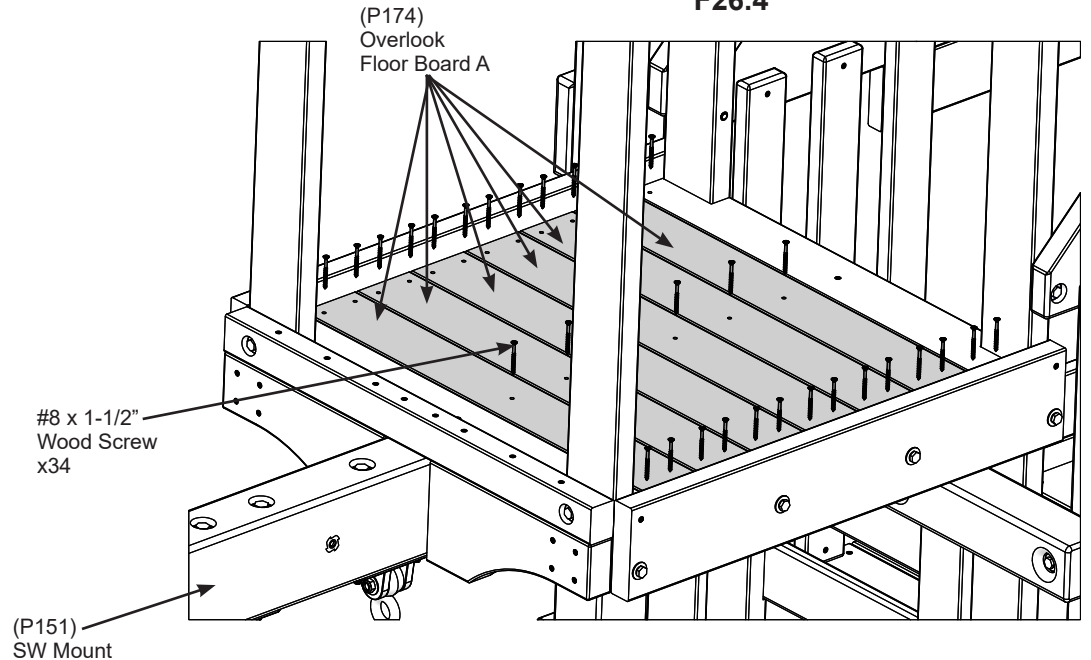
**C:** Adjust (P189) Overlook Side Joists tight to (P175) Overlook Floor Board B's. Attach (P189) Overlook Side Joist with three #8 x 2-1/4" Wood Screws per Joist. Tighten bolts. (F26.3)

**D:** Evenly space six (P174) Overlook Floor Board A's between the (P174) Overlook Floor Board B's and attach using five #8 x 1-1/2" Wood Screws per Floor Board A and two #8 x 1-1/2" Wood Screws per Floor Board B.

**F26.3**



**F26.4**



**Wood Parts**

6 x (P174) Overlook Floor Board A

**Hardware**

34 x #8 x 1-1/2" Wood Screw

6 x #8 x 2-1/4" Wood Screw

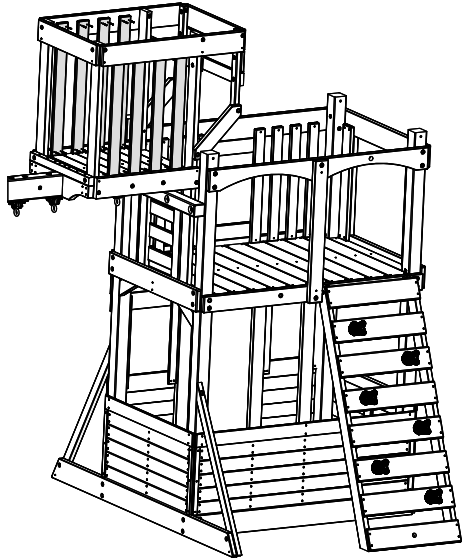
# Step 27: Overlook Wall Boards



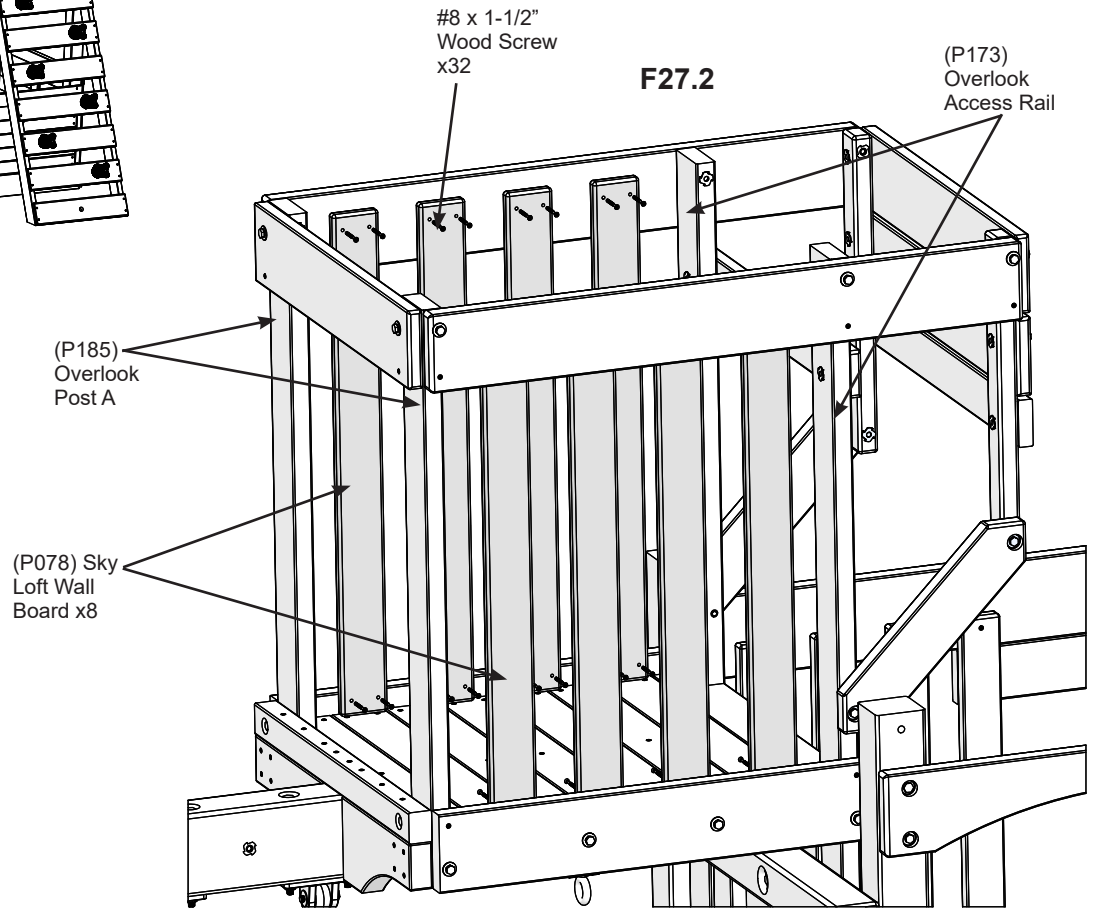
## Part 1

**A:** On the front and back of the Overlook Assembly, centered between (P173) Overlook Access Rail and (P185) Overlook Post A, tight to the floor boards, evenly space four (P078) Sky Loft Wall Boards. Attach (P078) Sky Loft Wall Boards using four #8 x 1-1/2" Wood Screws per board. (F27.1 and F27.2)

F27.1



F27.2



### Wood Parts

8 x (P078) Sky Loft Wall Board

### Hardware

32 x #8 x 1-1/2" Wood Screw

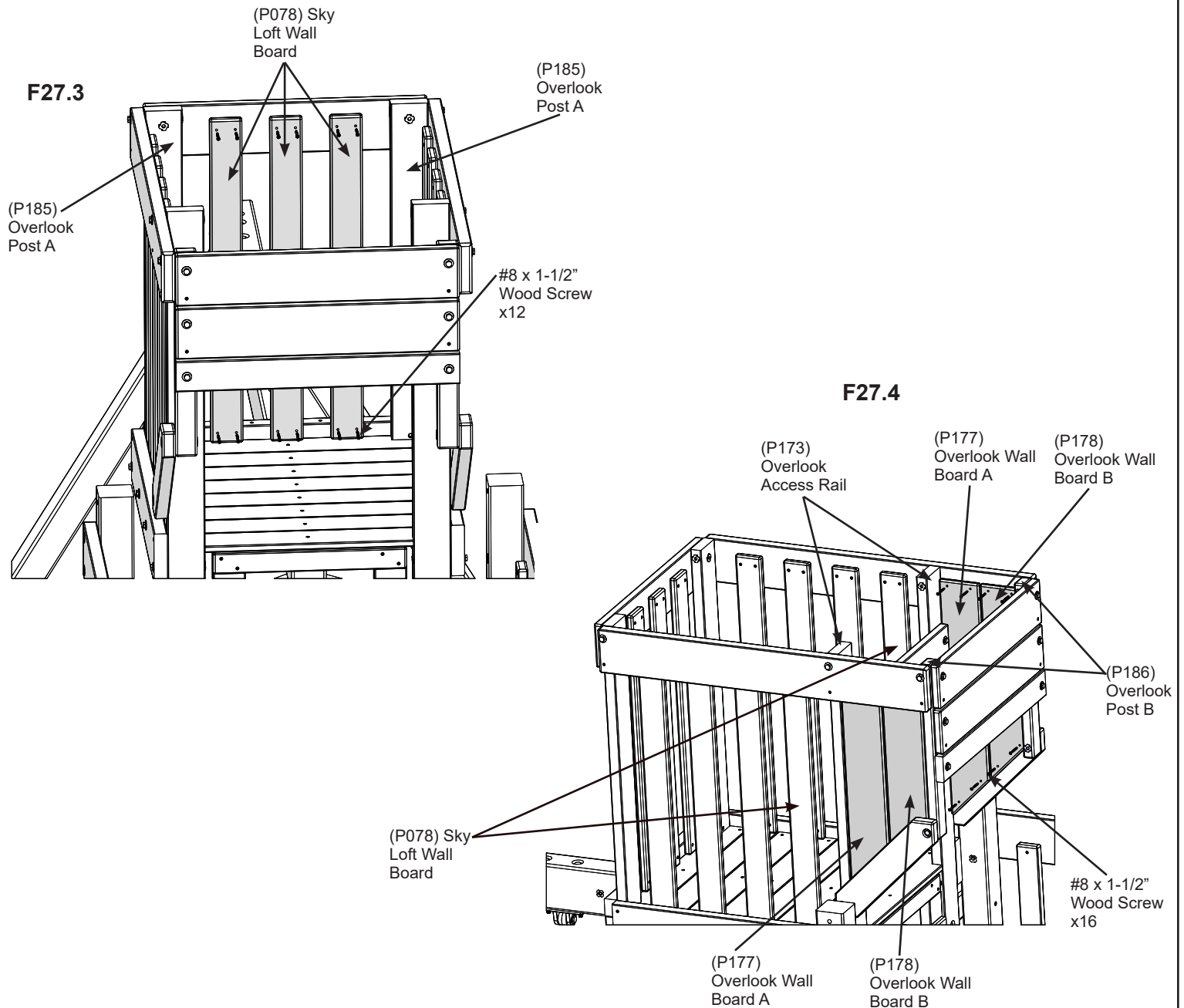
# Step 27: Overlook Wall Boards



## Part 2

**B:** On the side of the Overlook Assembly, centered between the (P185) Overlook Post A's, tight to the floor boards, evenly space three (P078) Sky Loft Wall Boards. Attach (P078) Sky Loft Wall Boards using four #8 x 1-1/2" Wood Screws per board. (F27.3 and F27.4)

**C:** On the front and back of the Overlook Assembly, centered between (P173) Overlook Access Rails and (P186) Overlook Post B's, level with the top of (P078) Sky Loft Wall Boards, evenly space (P177) Overlook Wall Board A and (P178) Overlook Wall Board B. Attach Wall Boards using four #8 x 1-1/2" Wood Screws per board. (F27.3 and F27.4)



### Wood Parts

- 3 x (P078) Sky Loft Wall Board
- 2 x (P177) Overlook Wall Board A
- 2 x (P178) Overlook Wall Board B

### Hardware

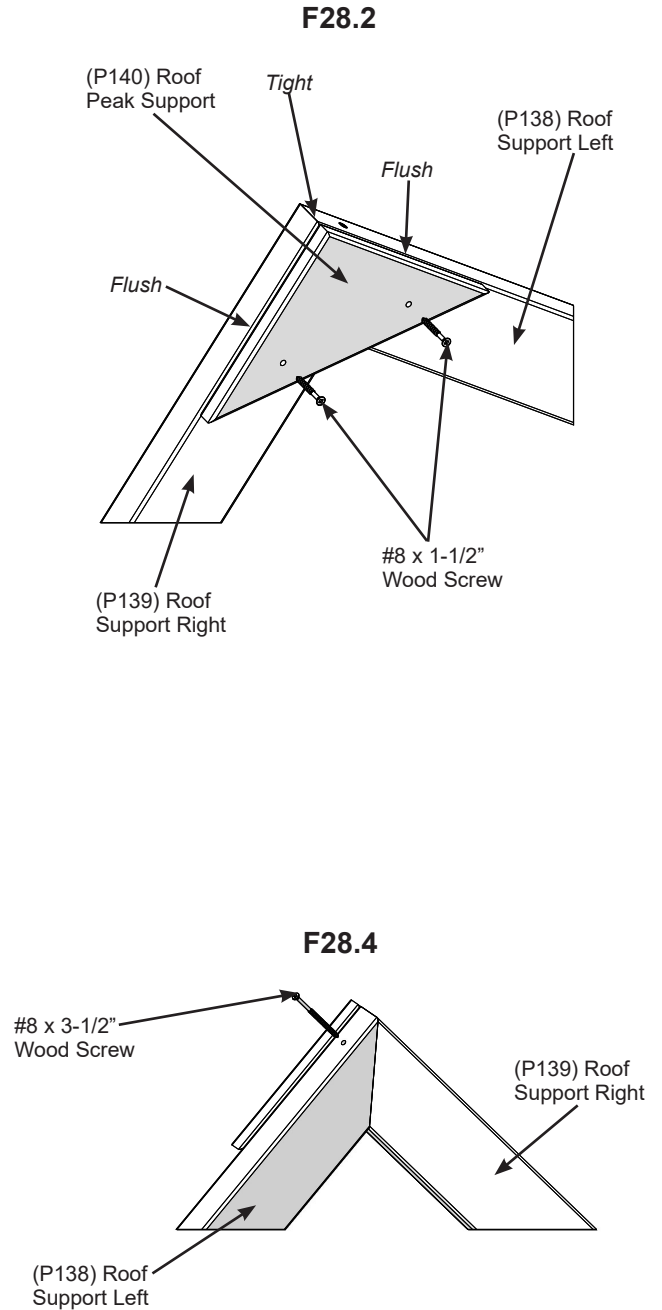
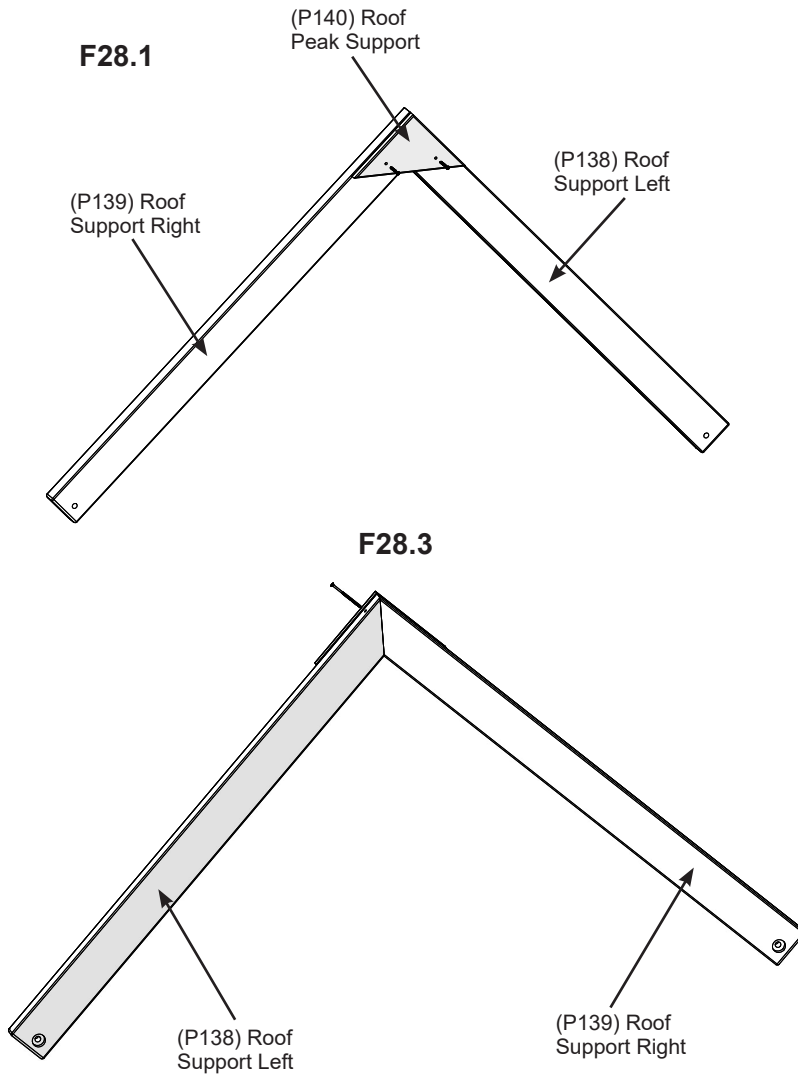
- 28 x #8 x 1-1/2" Wood Screw

# Step 28: Roof Supports

**A:** Layout one (P139) Roof Support Right and one (P138) Roof Support Left so the angled ends are tight together and the counter sunk holes are facing down. (F28.1 and F28.2)

**B:** Place one (P140) Roof Peak Support on top of (P139) Roof Support Right and (P138) Roof Support Left so the sides are flush. Attach together using two #8 x 1-1/2" Wood Screws then one #8 x 3-1/2" Wood Screw. (F28.1, F28.2, F28.3 and F28.4)

**C:** Repeat Steps A-B to create a second Roof Support Assembly.



### Wood Parts

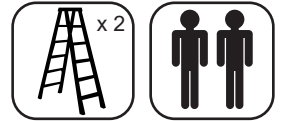
- 2 x (P138) Roof Support Left
- 2 x (P139) Roof Support Right
- 2 x (P140) Roof Peak Support

### Hardware

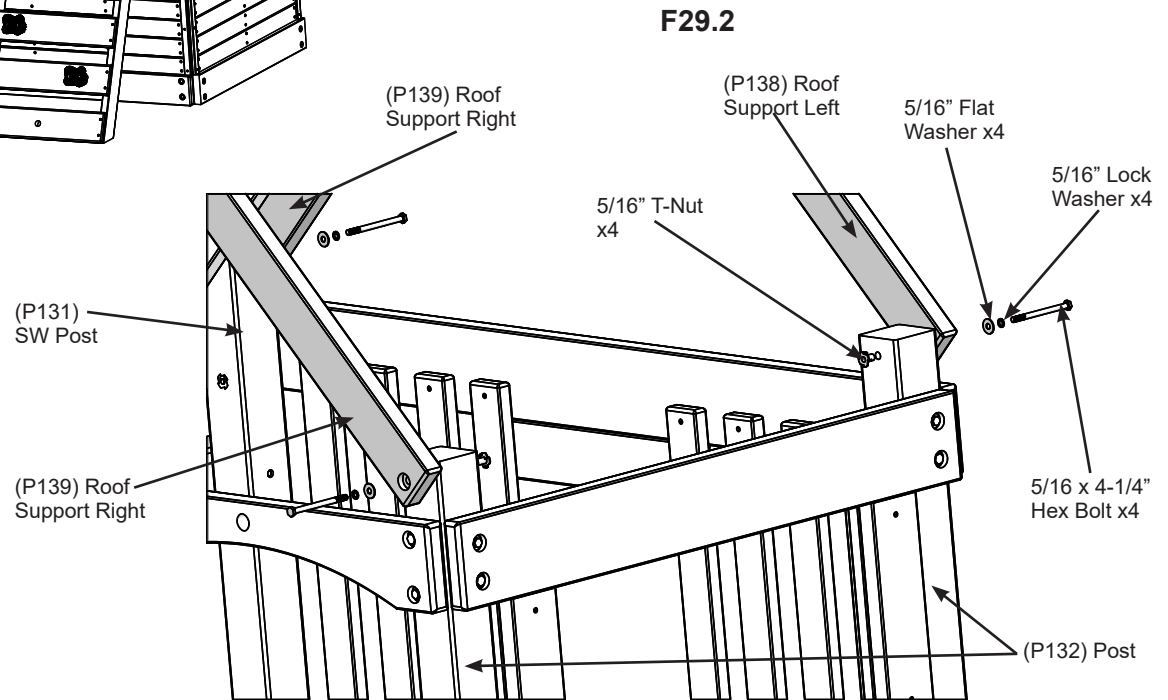
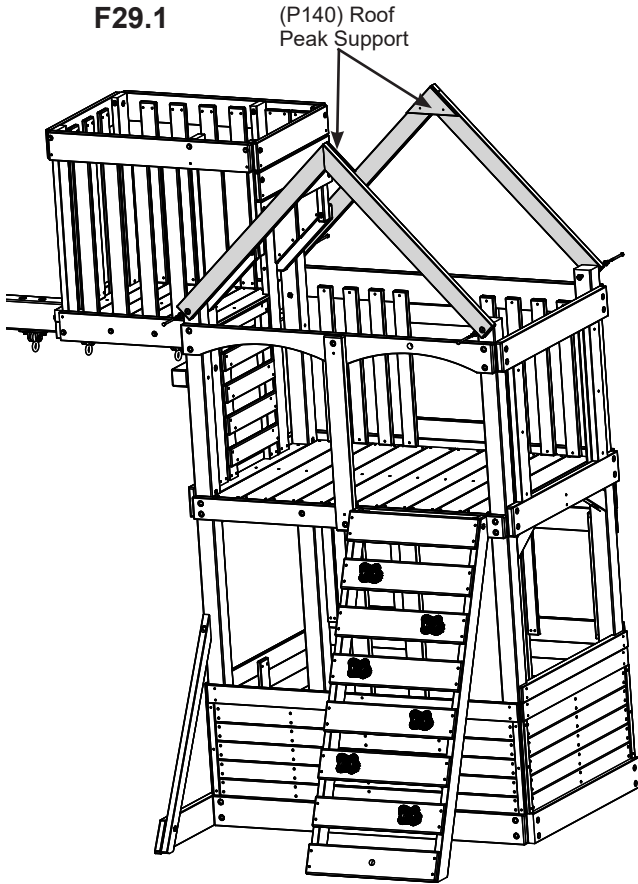
- 4 x #8 x 1-1/2" Wood Screw
- 2 x #8 x 3-1/2" Wood Screw



# Step 29: Roof Assembly Part 1



**A:** With a helper attach both Roof Support Assemblies through the countersink holes to the outside of (P132) Post and (P131) SW Post using two 5/16 x 4-1/4" Hex Bolts (with 5/16" lock washer, 5/16" flat washer, 5/16" t-nut) per Roof Peak Assembly. (F29.1 and F29.2)



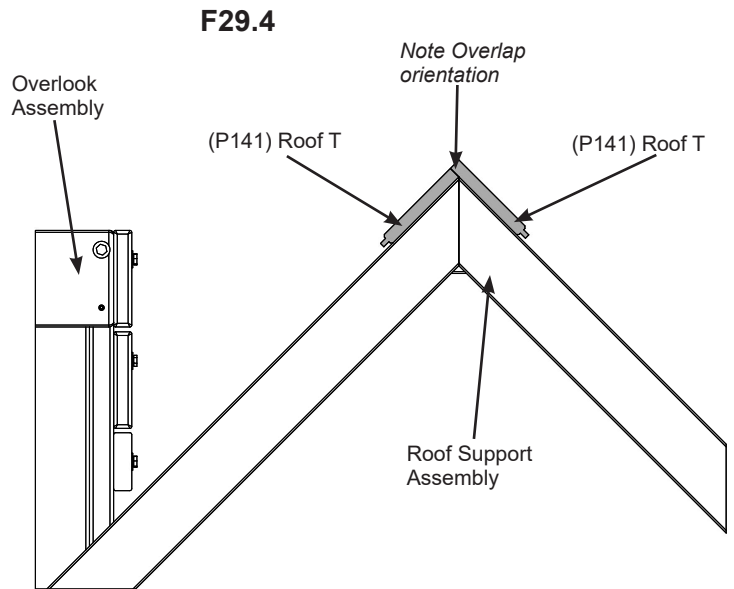
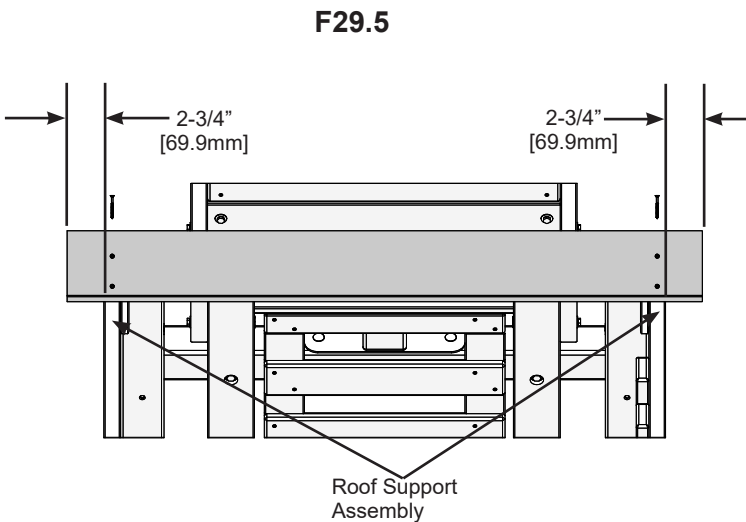
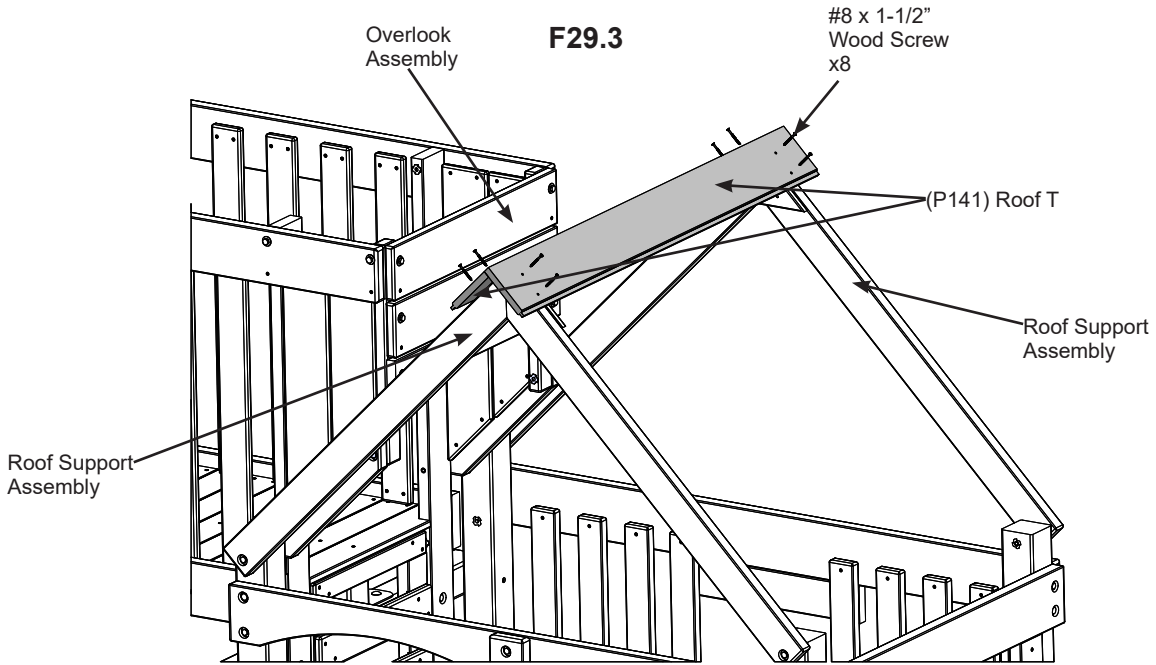
### Hardware

4 x 5/16 x 4-1/4" Hex Bolt  
(with 5/16" lock washer, 5/16" flat washer, 5/16" t-nut)

# Step 29: Roof Assembly Part 2



**B:** Place two (P141) Roof T's on top of Roof Support Assemblies so they overlap as shown in F29.3 and F29.4). Ensure (P141) Roof T's overhang Roof Support Assemblies by 2-3/4" [69.9mm] and attach using four #8 x 1-1/2" Wood Screws per board. (F29.3, F29.4 and F29.5)



### Wood Parts

2 x (P141) Roof T

### Hardware

8 x #8 x 1-1/2" Wood Screw

# Step 29: Roof Assembly

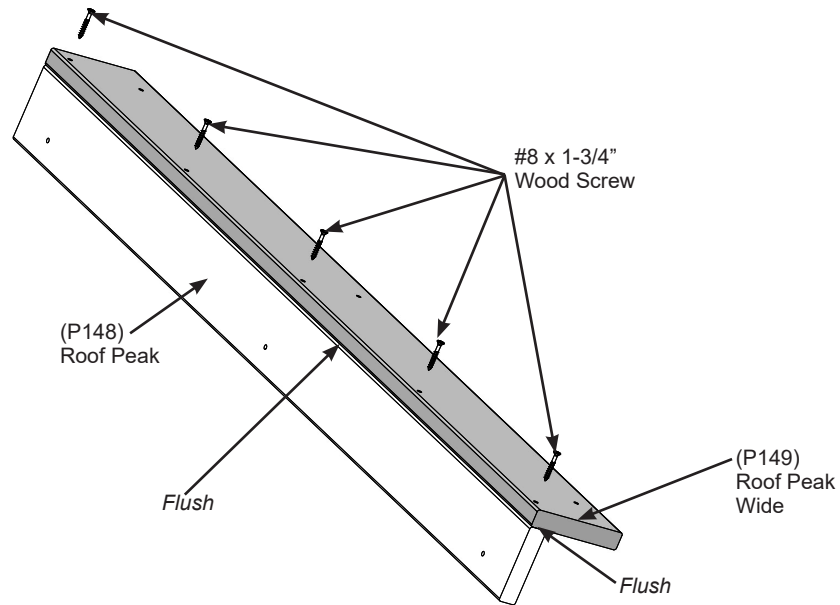
## Part 3



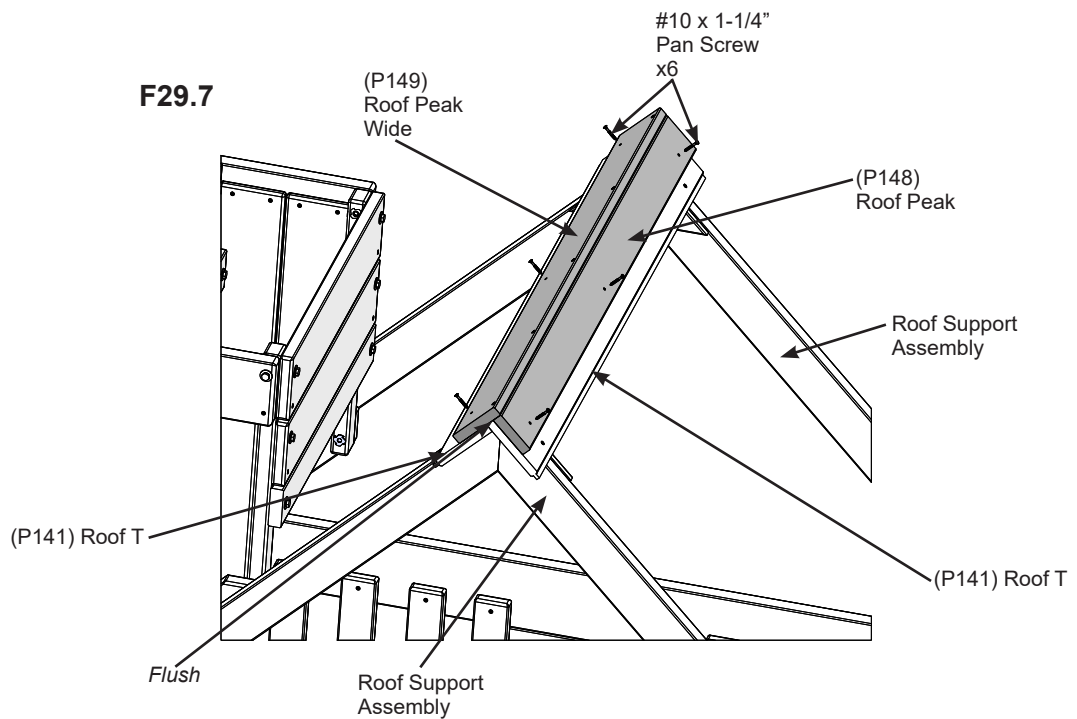
**C:** Overlap one (P149) Roof Peak Wide and one (P148) Roof Peak so the edge and ends are flush. Pre drill using 1/8" drill bit in the end holes and attach together using five #8 x 1-3/4" Wood Screws. (F296)

**D:** Place Roof Peak Assembly over both (P141) Roof T's so the ends are flush. Attach together using six #10 x 1-1/4" Pan Screws. (F29.7)

**F29.6**



**F29.7**



### Wood Parts

- 1 x (P148) Roof Peak
- 1 x (P149) Roof Peak Wide

### Hardware

- 6 x #10 x 1-1/4" Pan Screw
- 5 x #8 x 1-3/4" Wood Screw

# Step 29: Roof Assembly Part 4

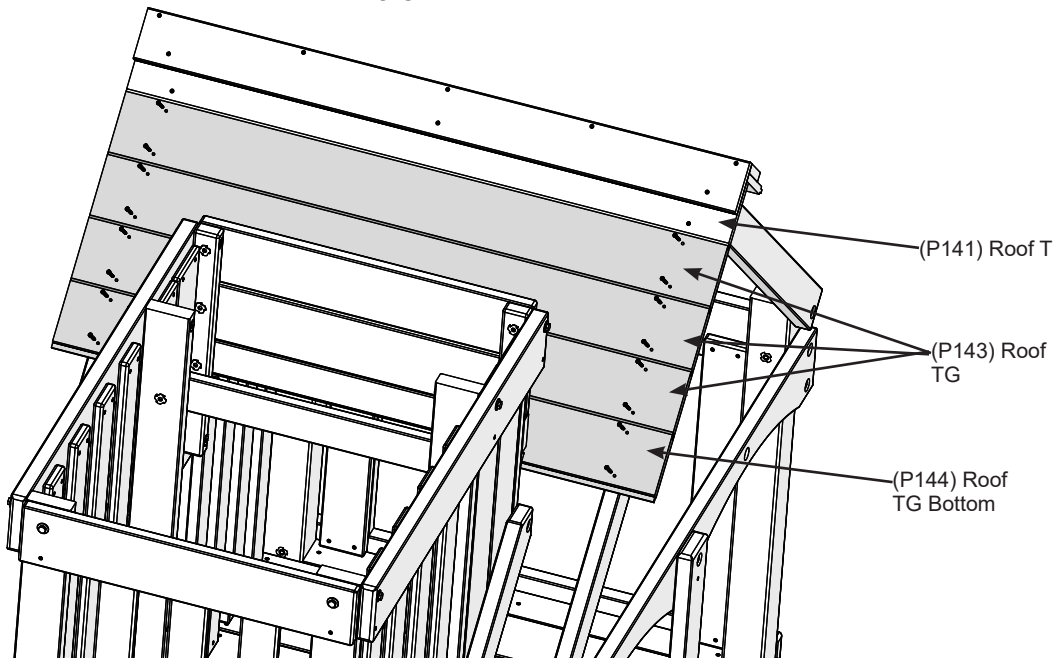


**E:** Fit three (P143) Roof TG's together so they are tight together and ends are flush. (F29.8 and F29.9)

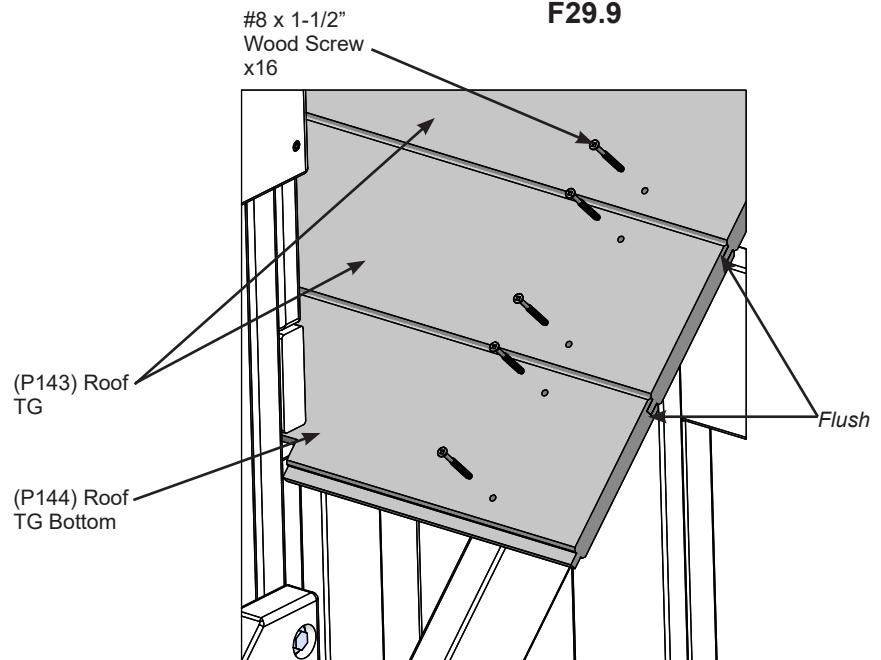
**Note:** There should be a 2-3/4" [69.9mm] overhang.

**F:** Fit one (P144) Roof TG Bottom into (P143) Roof TG so they are tight together and ends are flush. Attach roofing using four #8 x 1-1/2" Wood Screws per board. (F29.8 and F29.9)

**F29.8**



**F29.9**



### Wood Parts

- 3 x (P143) Roof TG
- 1 x (P144) Roof TG Bottom

### Hardware

- 16 x #8 x 1-1/2" Wood Screw

# Step 29: Roof Assembly Part 5

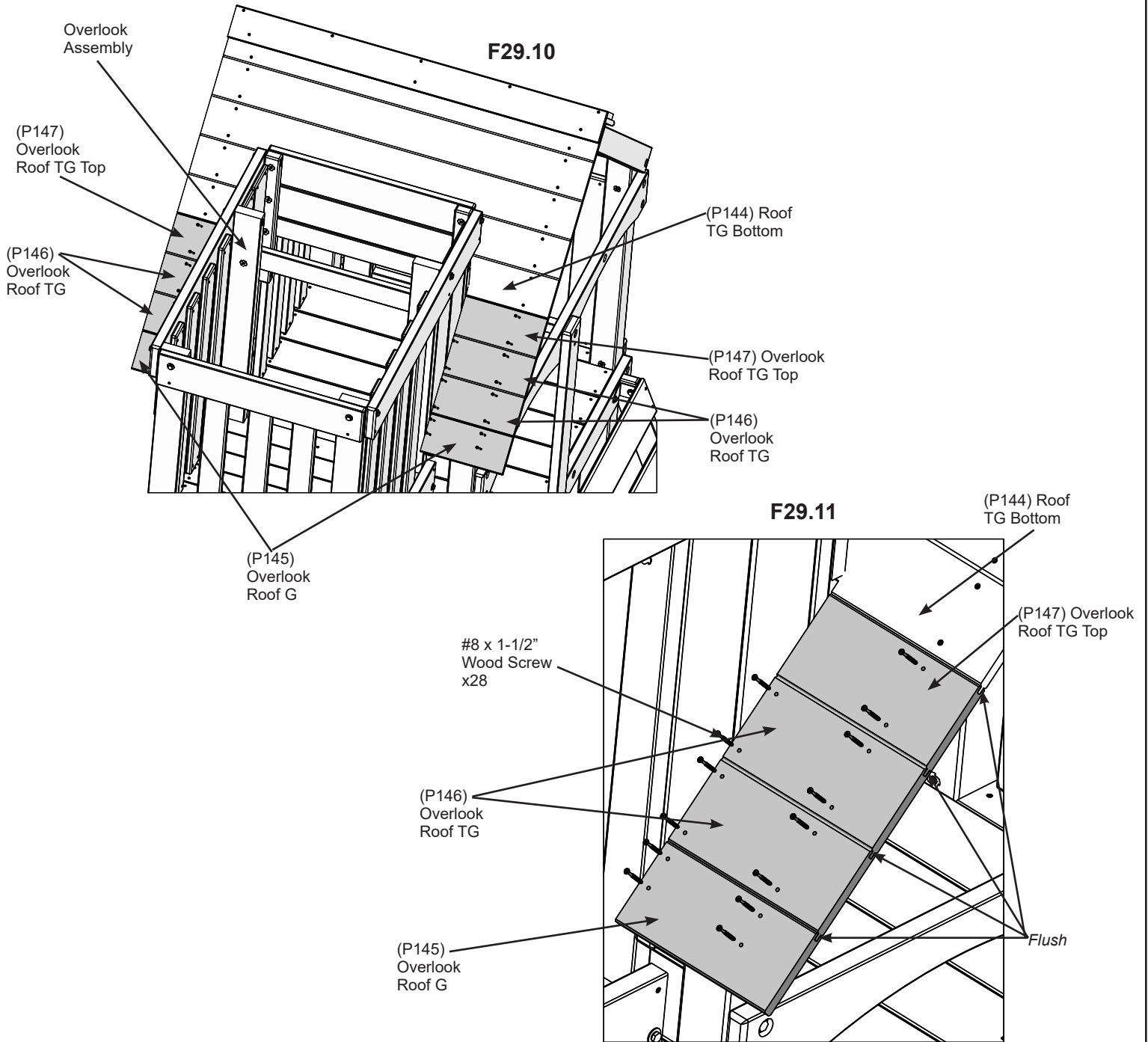


**G:** Fit one (P147) Overlook Roof TG Top, two (P146) Overlook Roof TG's and one (P145) Overlook Roof G together so they are tight together and the ends are flush. (F29.10 and F29.11)

**Note:** There should be a 2-3/4" [69.9mm] overhang.

**H:** Attach roofing using 14 #8 x 1-1/2" Wood Screws. (F29.10 and F29.11)

**I:** Repeat Steps G-H for the other side of the Overlook Assembly (F29.10 and F29.11)



### Wood Parts

- 2 x (P145) Overlook Roof G
- 4 x (P146) Overlook Roof TG
- 2 x (P147) Overlook Roof TG Top

### Hardware

- 28 x #8 x 1-1/2" Wood Screw

# Step 29: Roof Assembly Part 6



**J:** Fit seven (P143) Roof TG's together so they are tight together and ends are flush. (F29.12 and F29.13)

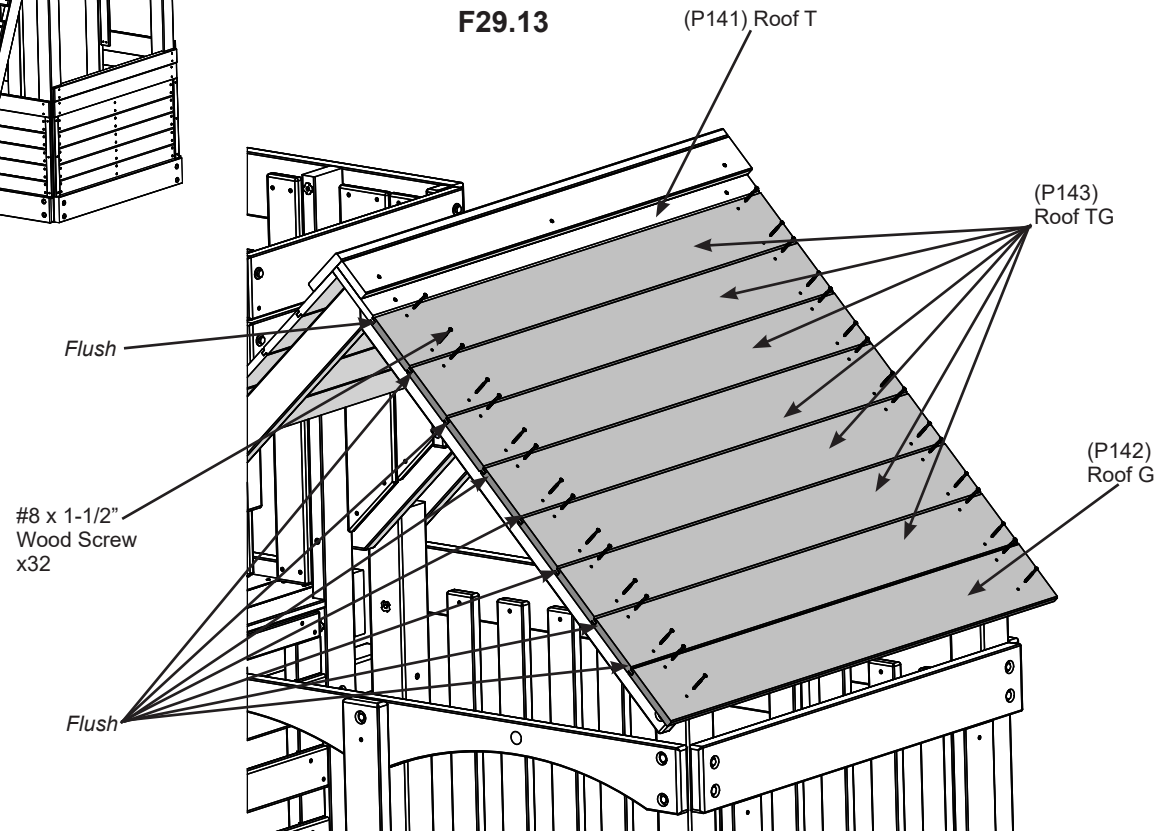
**Note:** There should be a 2-3/4" [69.9mm] overhang.

**K:** Fit one (P142) Roof G into the bottom (P143) Roof TG so they are tight together and ends are flush. Attach Roofing using four #8 x 1-1/2" Wood Screws per board. (F29.12 and F29.13)

F29.12



F29.13



### Wood Parts

- 1 x (P142) Roof G
- 7 x (P143) Roof TG

### Hardware

- 32 x #8 x 1-1/2" Wood Screw

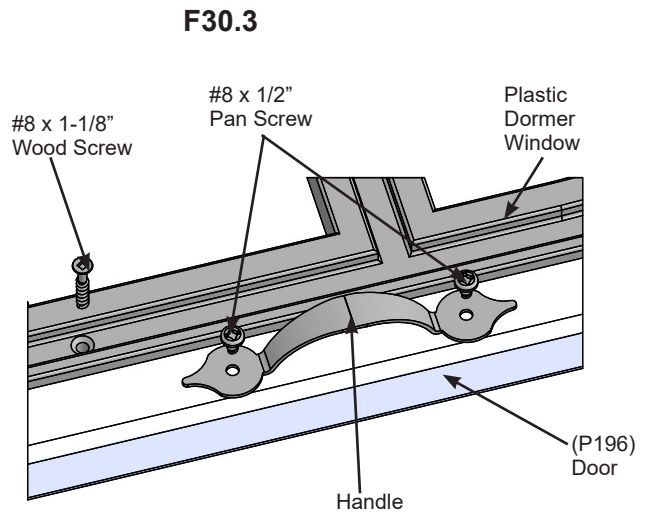
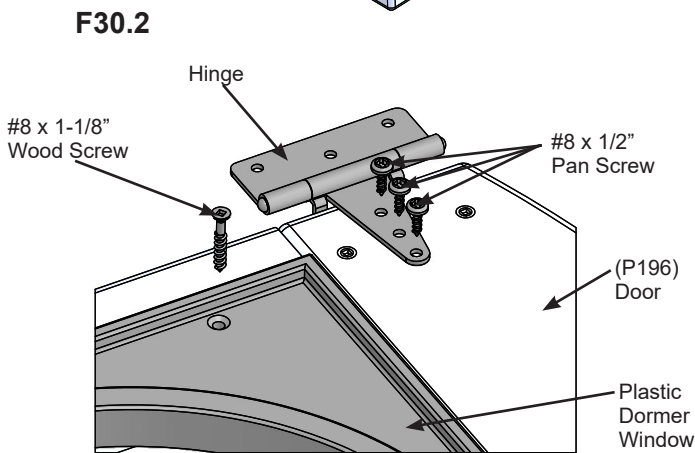
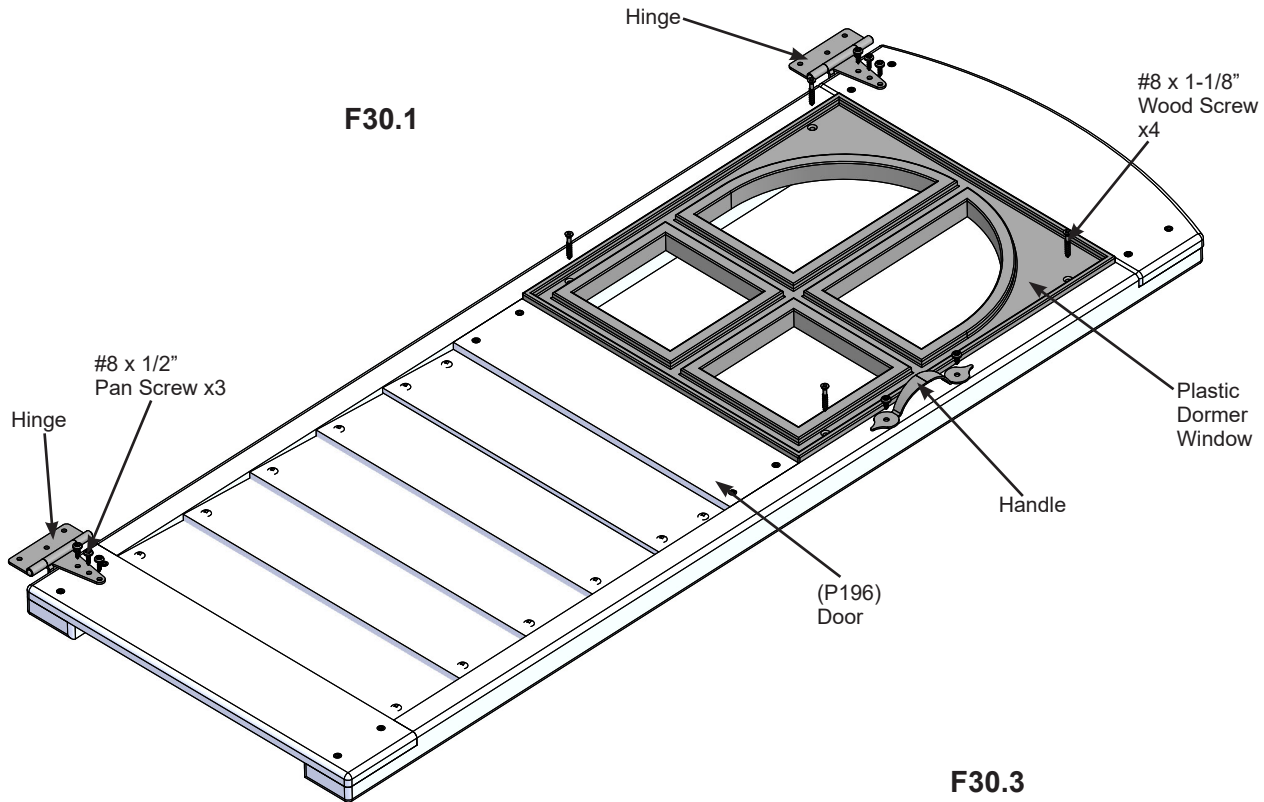
# Step 30: Door Assembly

## Part 1

**A:** On the outside of (P196) Door, insert Plastic Dormer Window as shown in F30.1 and attach using four #8 x 1-1/8" Wood Screws. (F30.1 and F30.2)

**B:** On the outside of (P196) Door attach one Door Handle in location shown in F30.1 using two #8 x 1/2" Pan Screws. (F30.1 and F30.3)

**C:** On the outside of (P196) Door, at the opposite side from the Door Handle, install two Hinges to the top and bottom of the door using three #8 x 1/2" Pan Screws per hinge. (F30.1 and F30.2)



### Wood Parts

1 x (P196) Door

### Components:

1 x Plastic Dormer Window  
2 x Hinge  
1 x Handle

### Hardware

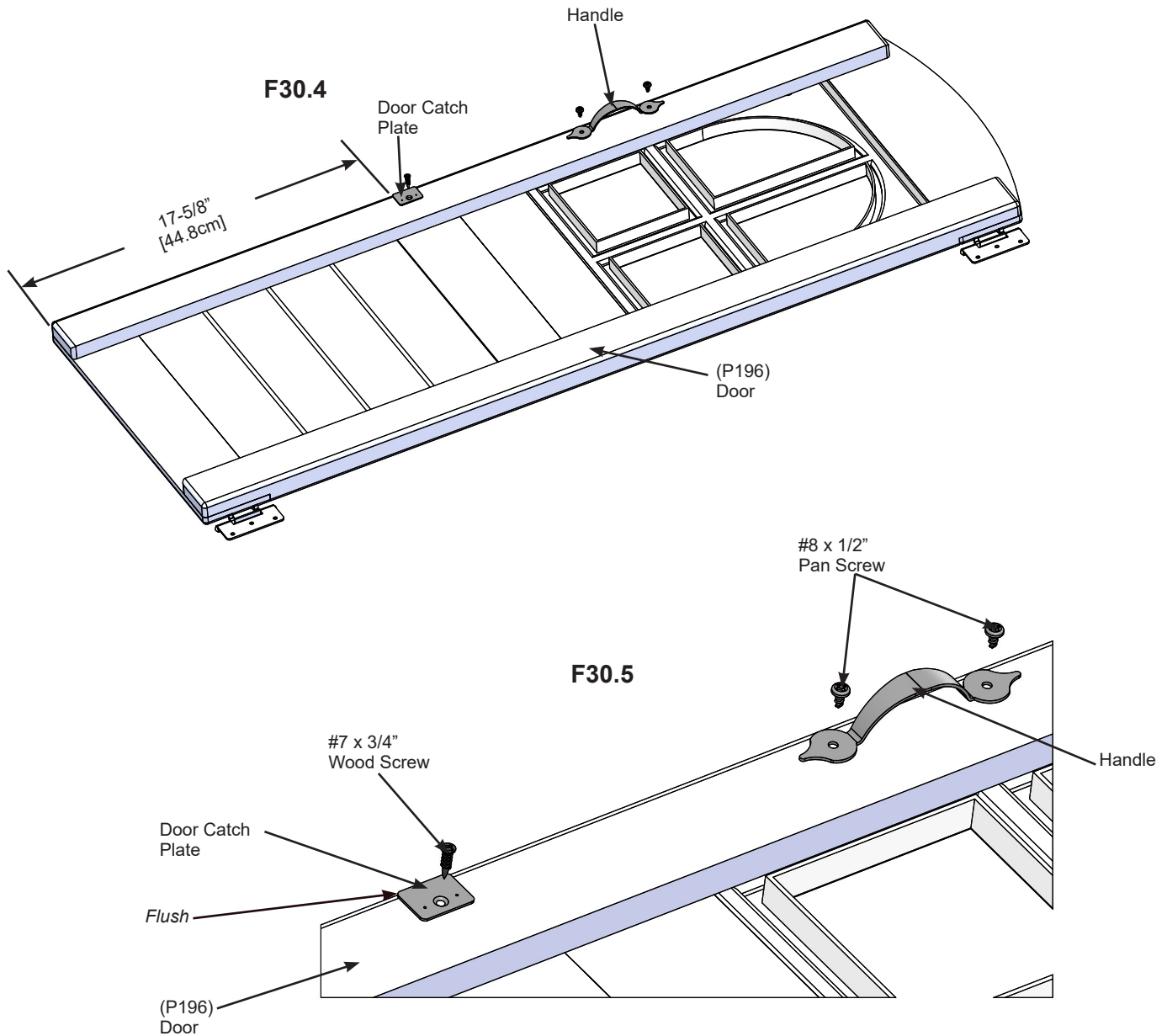
4 x #8 x 1-1/8" Wood Screw  
8 x #8 x 1/2" Pan Screw

# Step 30: Door Assembly Part 2



**D:** On the inside of (P196) Door, measure 17-5/8" [44.8cm] up from the bottom and install the Catch Plate flush to the outside edge of the Door using one #7 x 3/4" Wood Screws. (F30.4 and F30.5)

**E:** On the inside of the (P196) Door attach one Door Handle at approximately the same height as the handle that was previously installed using two #8 x 1/2" Pan Screws. (F30.4 and F30.5)



**Components:**

- 1 x Handle
- 1 x Door Catch Plate

**Hardware**

- 2 x #8 x 1/2" Pan Screw
- 1 x #7 x 3/4" Wood Screw



# Step 31: Attach Door

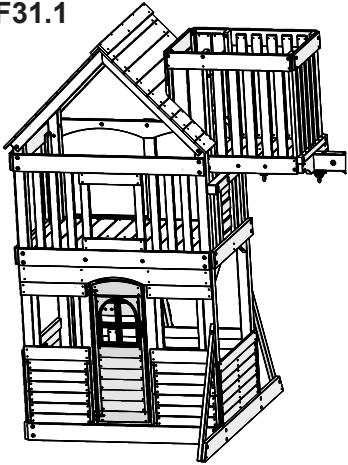


**A:** In the opening for the Door Assembly measure 5/8" [15.9mm] up from (P118) Sandbox Base FB. Position the Door Assembly and attach Hinges to (P133) Mid Post using three #8 x 1/2" Pan Screws per hinge. (F31.1, F31.2 and F31.3)

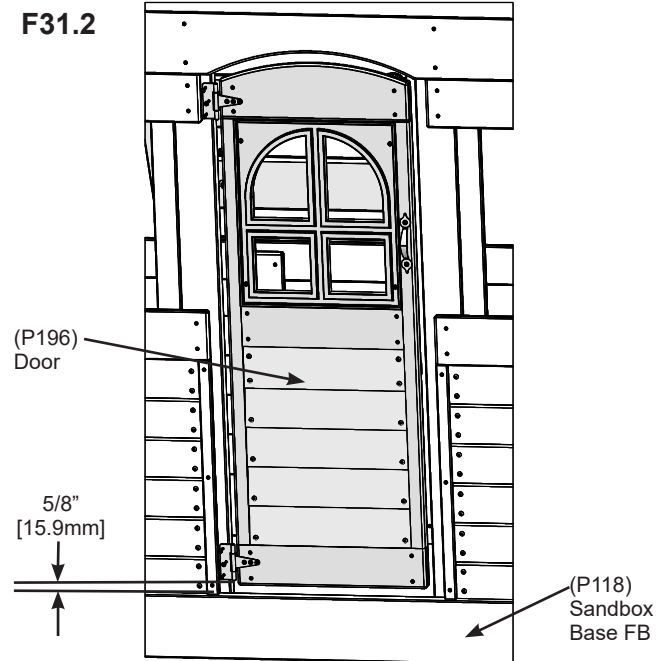
**B:** In the cutout of (P010) Door Stop, install Magnet using two #8 x 1/2" Pan Screws. (F31.4)

**C:** From inside the assembly attach (P010) Door Stop to (P133) Mid Post with three #8 x 1-3/4" Wood Screws, making sure that it overhangs (P133) Mid Post and is aligned properly to receive the Catch Plate. (F31.5)

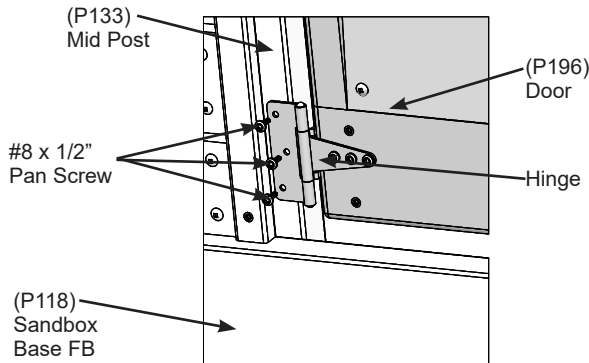
**F31.1**



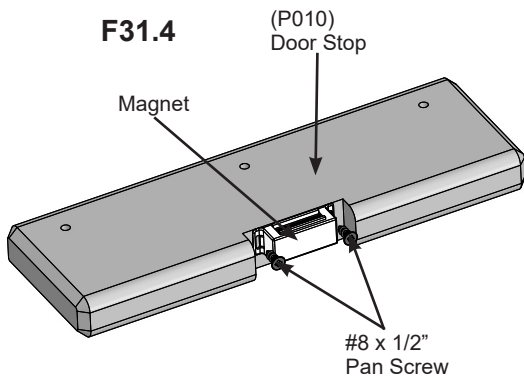
**F31.2**



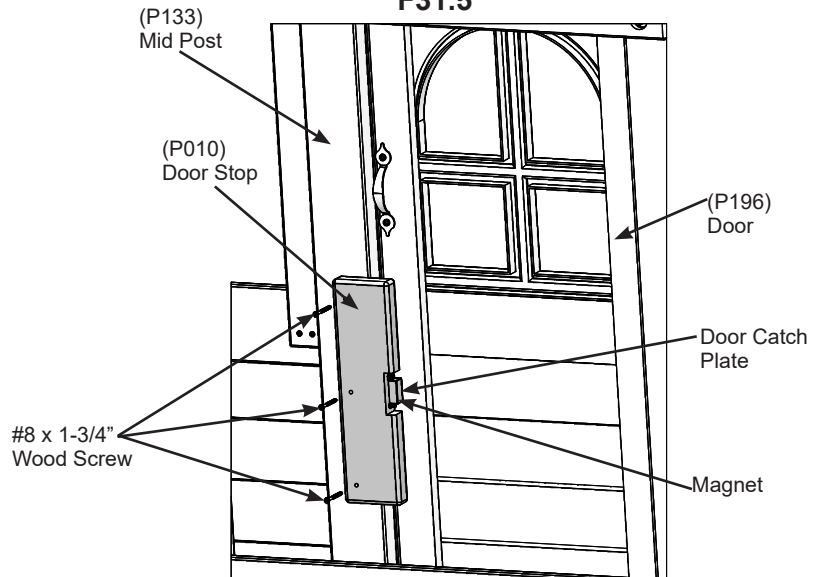
**F31.3**



**F31.4**



**F31.5**



**Wood Parts**

**Components:**

**Hardware**

1 x (P010) Door Stop

1 x Magnet

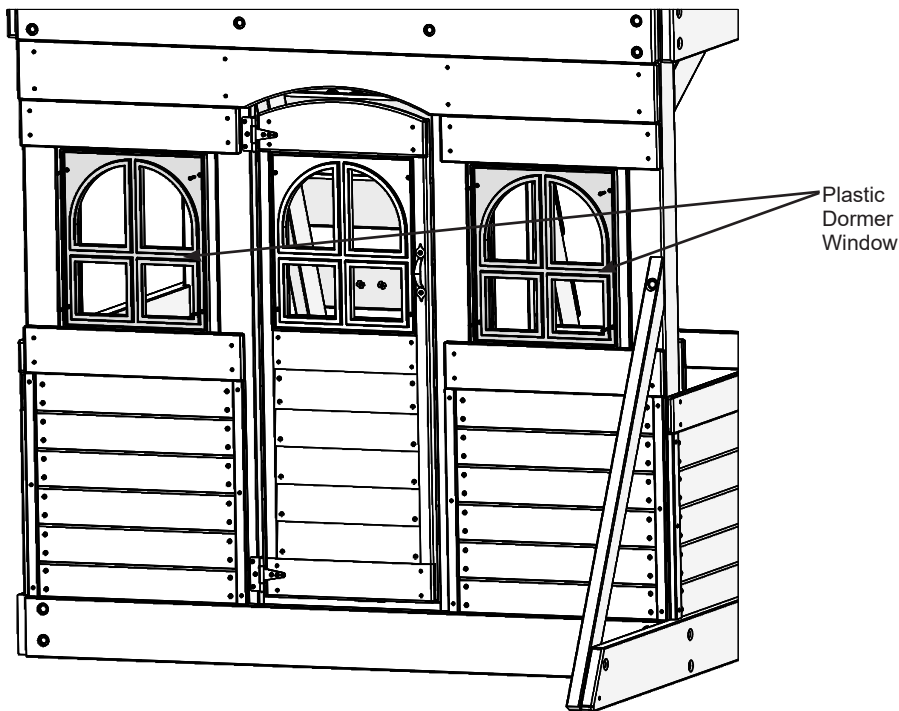
3 x #8 x 1-3/4" Wood Screw

8 x #8 x 1/2" Pan Screw

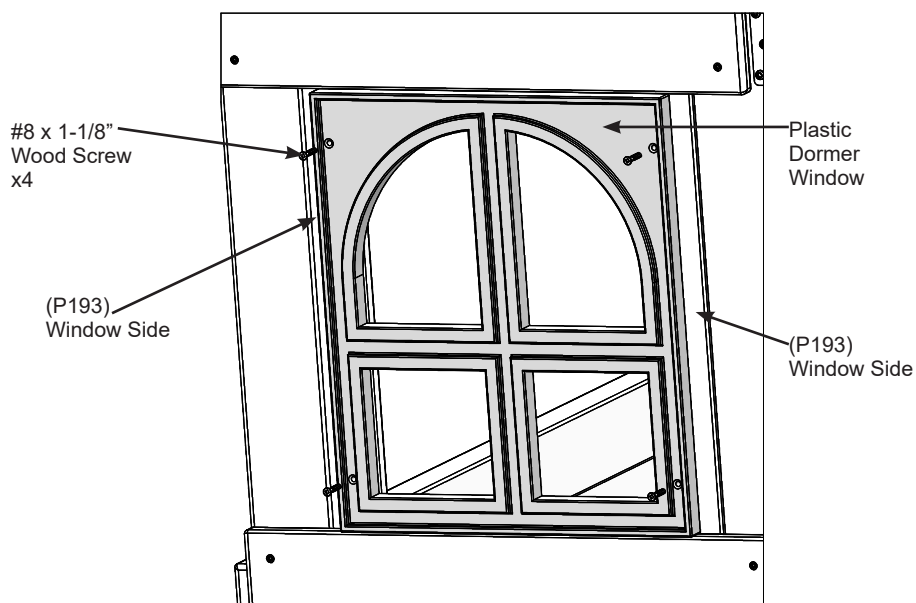
## Step 32: Windows

**A:** From outside the assembly, place Plastic Dormer Windows centered over (P193) Window Sides. Attach Plastic Dormer Window using four #8 x 1-1/8" Wood Screws per window. (F32.1 and F32.2)

F32.1



F32.2



### Components:

2 x Plastic Dormer Window

### Hardware

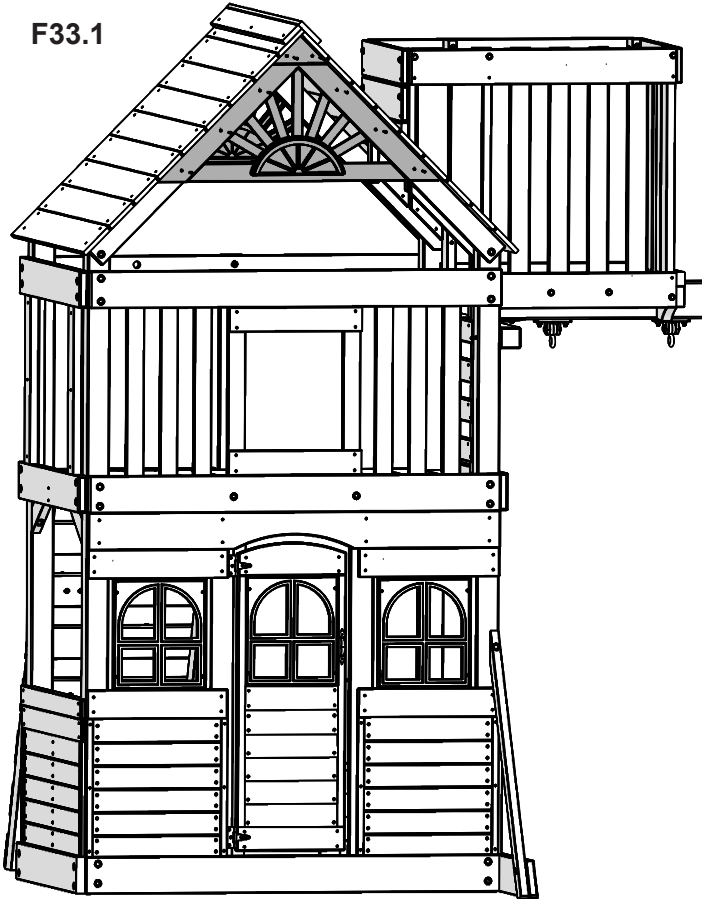
8 x #8 x 1-1/8" Wood Screw

# Step 33: Sunburst

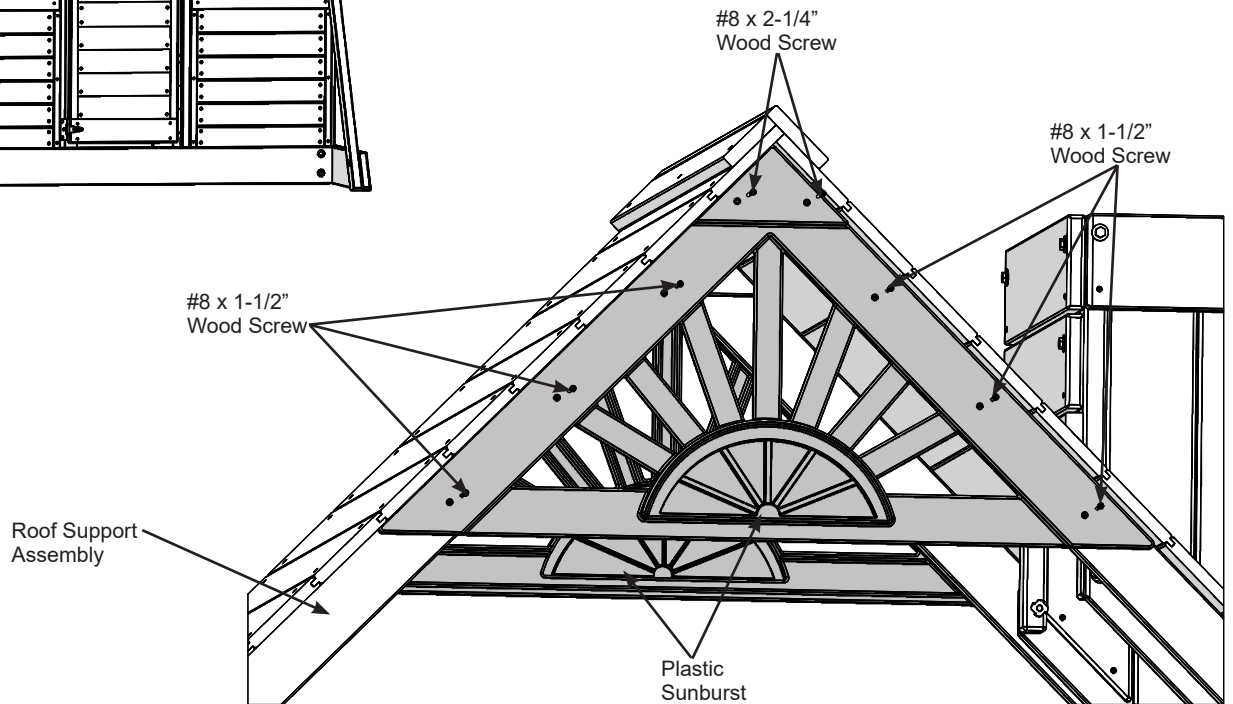


**A:** From outside the assembly, attach Plastic Sunburst to each Roof Support Assembly using six #8 x 1-1/2" Wood Screws and two #8 x 2-1/4" Wood Screws per Plastic Sunburst. (F33.1 and F33.2)

**F33.1**



**F33.2**



**Components:**

2 x Plastic Sunburst

**Hardware**

12 x #8 x 1-1/2" Wood Screw

4 x #8 x 2-1/4" Wood Screw

# Step 34: Tic Tac Toe

**A:** Assemble Tic Tac Toe by attaching one dowel with threaded stud end into dowel with threaded insert. Repeat two more times to create three dowel assemblies. (F34.2)

**B:** Insert dowel assemblies into one bracket. (F34.2)

**C:** Insert one blue collar onto each dowel assembly. (F34.2)

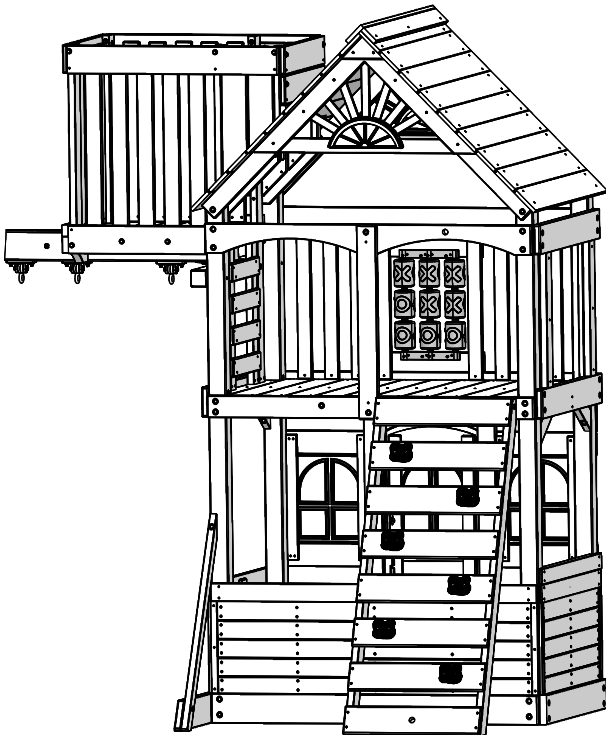
**D:** Insert one Tic Tac Toes Tumbler on each dowel assembly. (F34.2)

**E:** Repeat Steps C and D for remaining Collars and Tumblers. (F34.2)

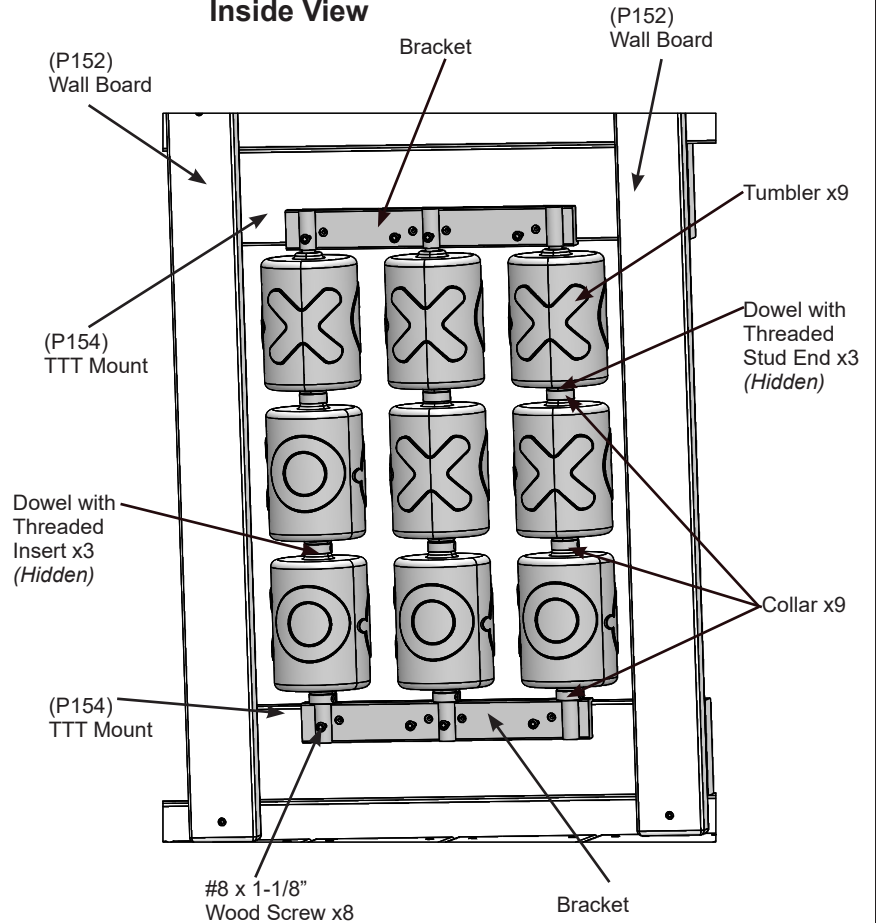
**F:** Place Bracket on top of assembly. (F34.2)

**G:** From inside the assembly, center the Tic Tac Toe between the (P152) Wall Boards. Attach Tic Tac Toe to (P154) TTT Mounts using eight #8 x 1-1/8" Wood Screws. (F34.1 and F34.2)

**F34.1**



**F34.2  
Inside View**



**Components:**

1 x Tic Tac Toe

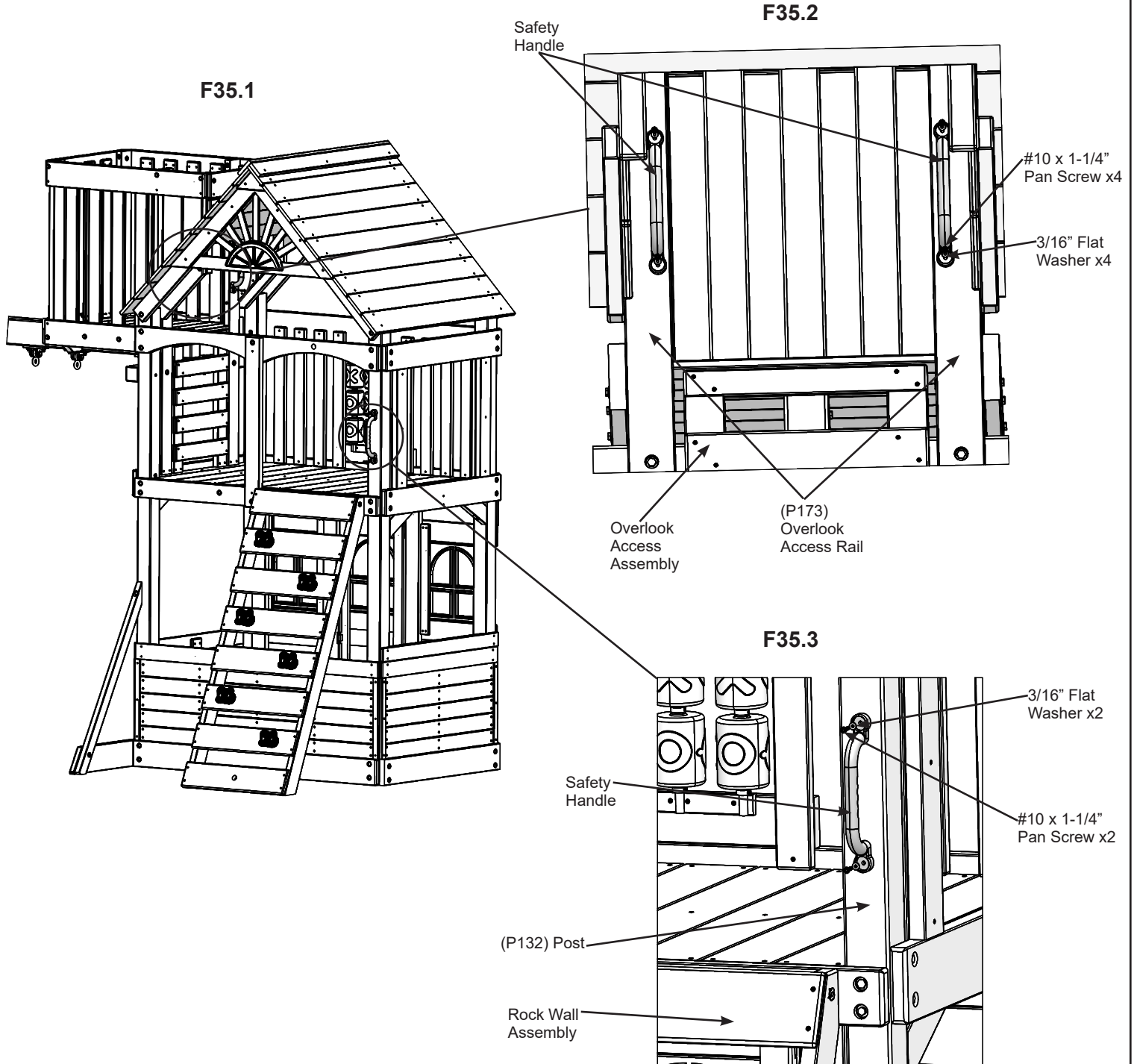
**Hardware**

8 x #8 x 1-1/8" Wood Screw

# Step 35: Safety Handles

**A:** Center Safety Handles on each (P173) Overlook Access Rail, above the Overlook Access Assembly as shown in F35.1 and F35.2. Attach using two #10 x 1-1/4" Pan Screws (with 3/16" flat washer) per Safety Handle.

**B:** Center Safety Handle on (P132) Post, above the Rock Wall Assembly as shown in F35.1 and F35.3. Attach using two #10 x 1-1/4" Pan Screws (with 3/16" flat washer).



**Components:**

3 x Safety Handle

**Hardware**

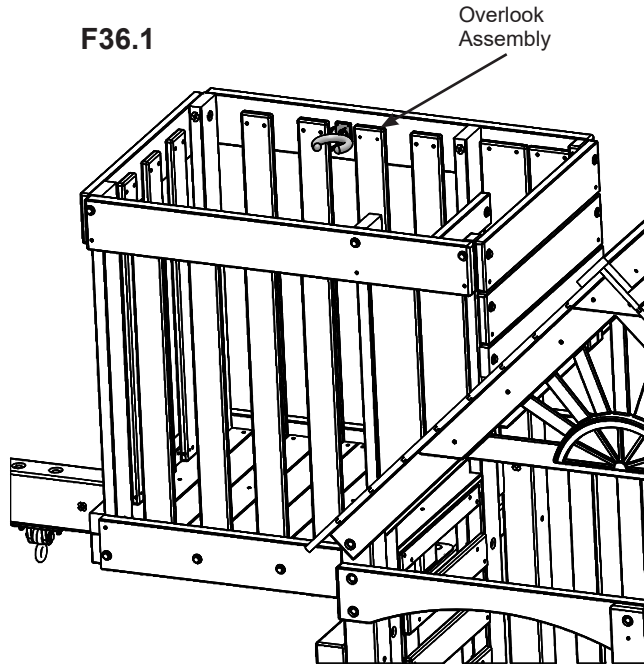
6 x #10 x 1-1/4" Pan Screw (with 3/16" flat washer)

# Step 36: Periscope

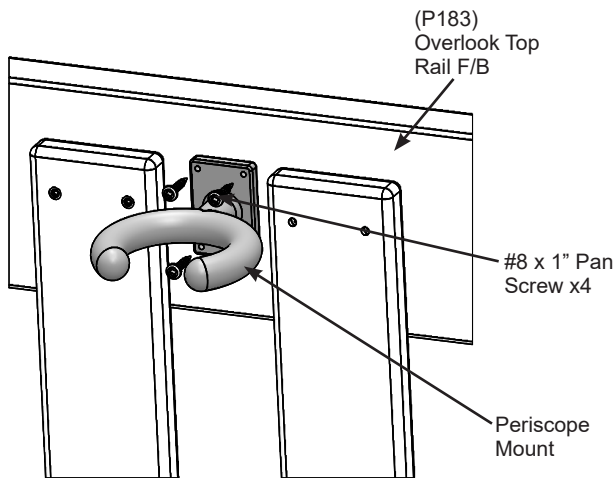
**A:** Center Periscope Base on (P183) Overlook Top Rail F/B and attach using four #8 x 1" Pan Screws. (F36.1 and F36.2)

**B:** Snap the Periscope onto the Periscope Base. (F36.1 and F36.3)

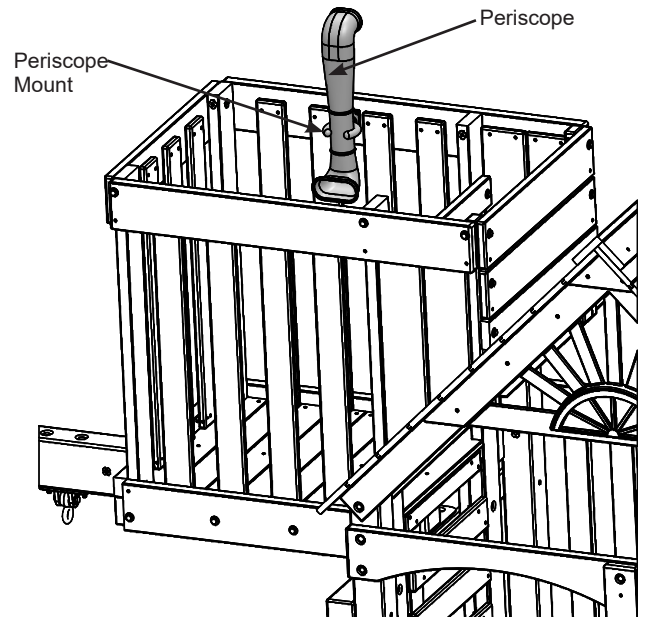
**F36.1**



**F36.2**



**F36.3**



**Components:**

1 x Periscope

**Hardware**

4 x #8 x 1" Pan Screw

# Step 37: Steering Wheel

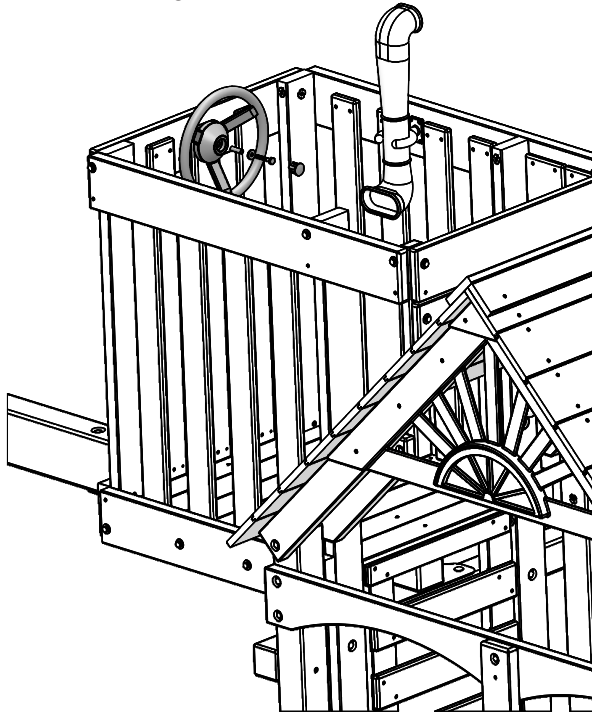


**Note:** Pre-drill all pilot holes using a 1/8" drill bit before installing Lag Screw.

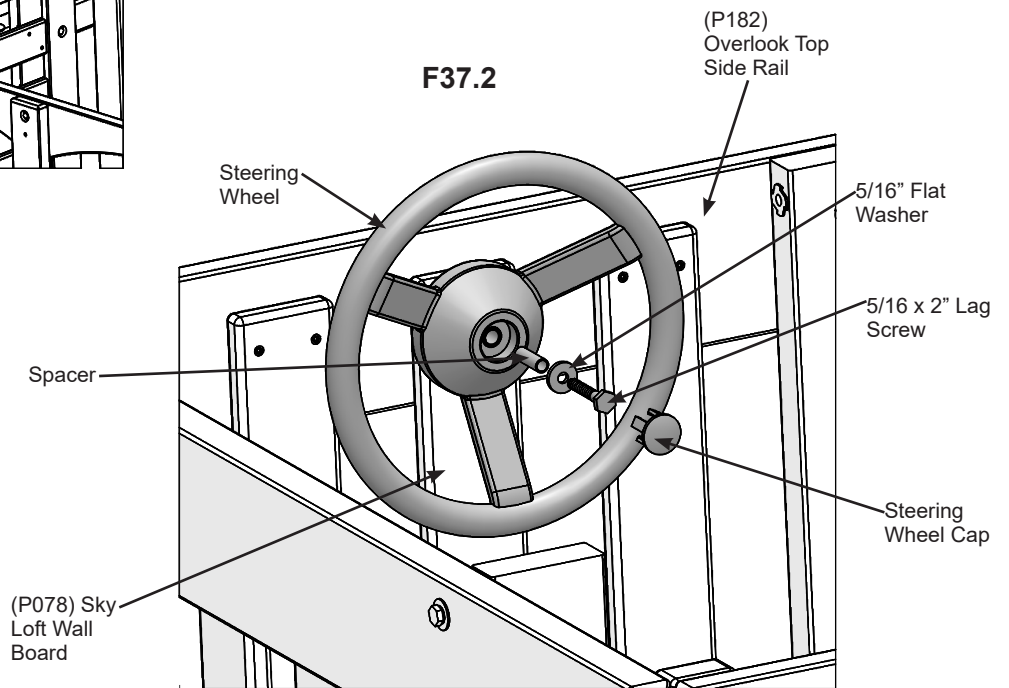
**A:** Place Steering Wheel centered at the top of (P078) Sky Loft Wall Board and attach with one 5/16 x 2" Lag Screw (with 5/16" flat washer and spacer). (F37.1 and F37.2)

**B:** Snap on the Steering Wheel Cap over the Lag Screw. (F37.1 and F37.2)

F37.1



F37.2



**Components:**

1 x Steering Wheel

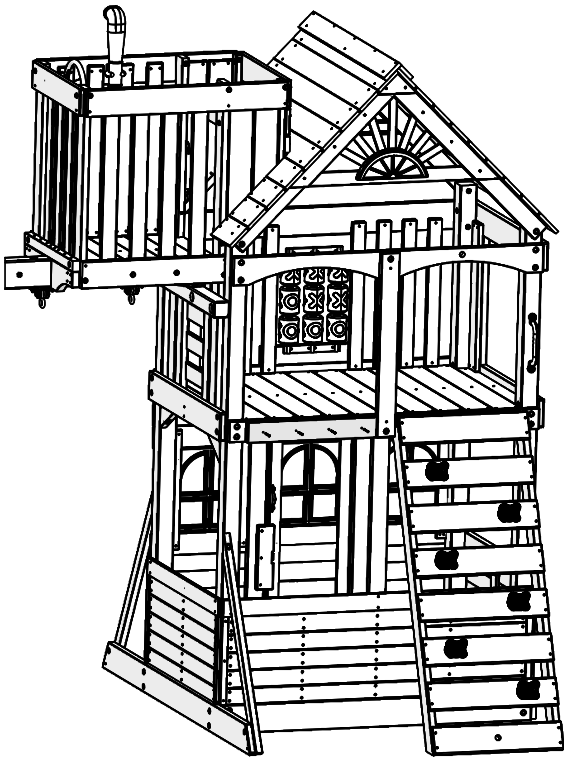
**Hardware**

1 x 5/16 x 2" Lag Screw (with 5/16" flat washer)

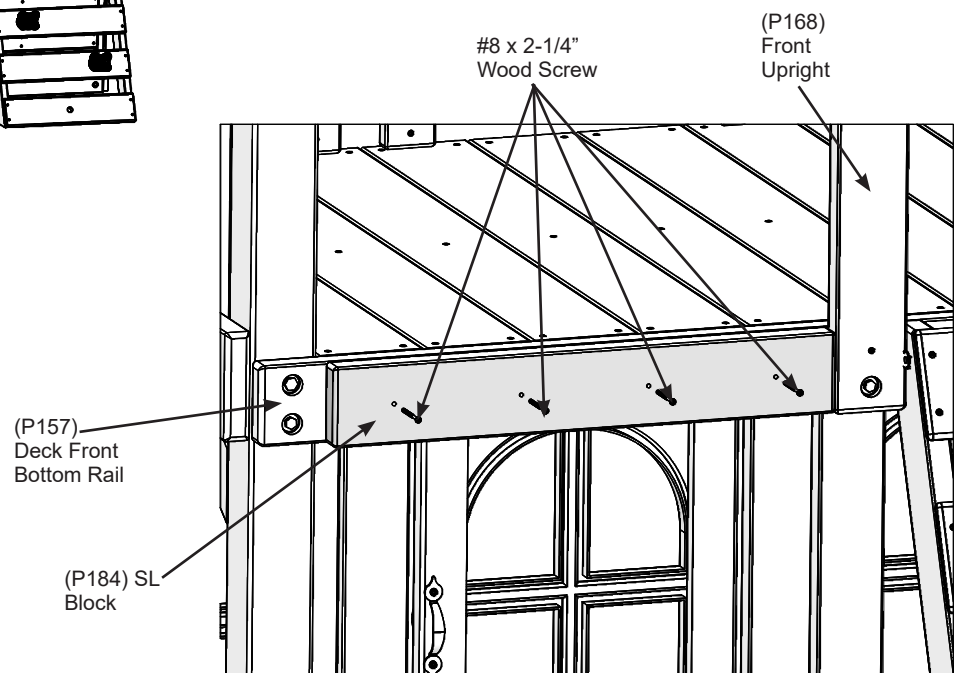
# Step 38: Alpine Slide Part 1

**A:** From outside the assembly, attach (P184) SL Block to (P157) Deck Front Bottom Rail with four #8 x 2-1/4" Wood Screws, making sure it's flush to the top of (P157) Deck Front Bottom Rail and tight to (P168) Front Upright. (F38.1 and F38.2)

F38.1



F38.2



## Wood Parts

1 x (P184) SL Block

## Hardware

4 x #8 x 2-1/4" Wood Screw



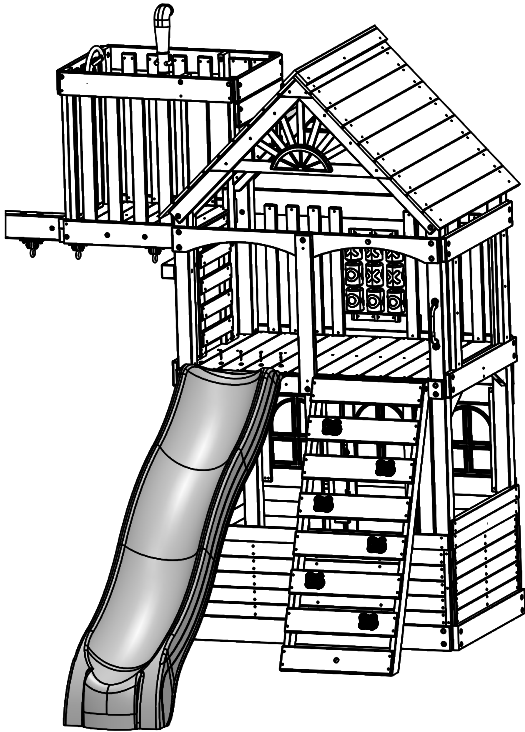
# Step 38: Alpine Slide Part 2



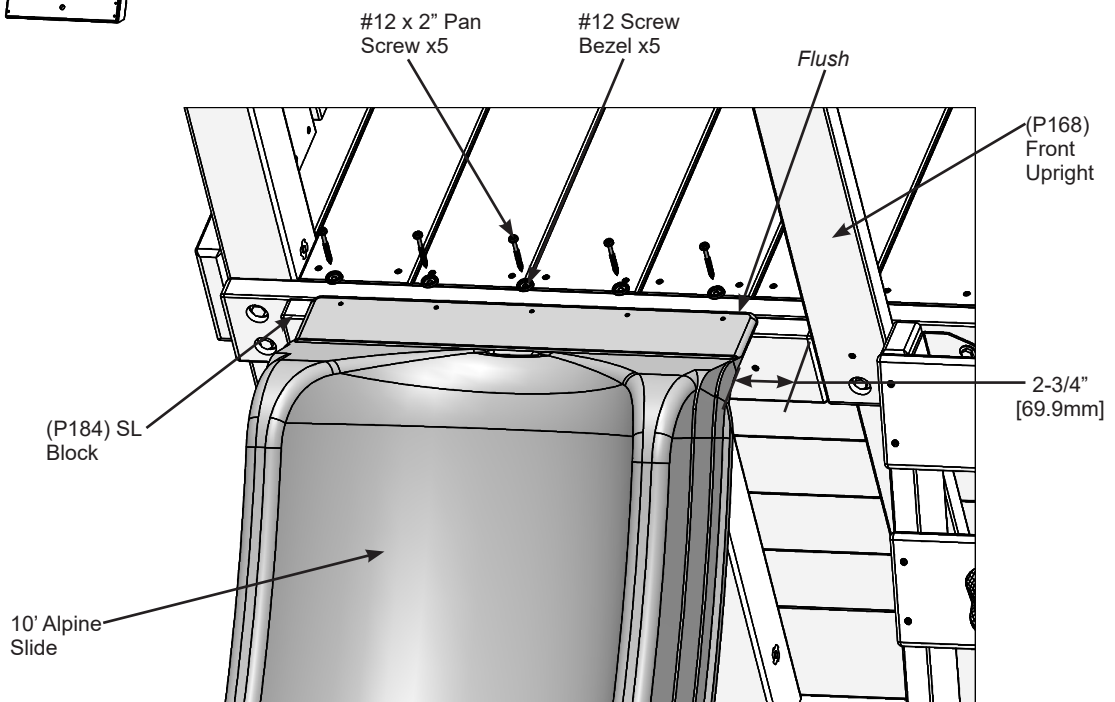
**Note:** Pre-drill all pilot holes using a 1/8" drill bit before installing Pan Screw.

**B:** Place 10' Alpine Slide 2-3/4" [69.9mm] away from (P168) Front Upright and flush to the back of (P184) SL Block. Pre-drill in the locations shown in F38.4 and attach using five #12 x 2" Pan Screws (with #12 Screw Bezel).

F38.3



F38.4



**Components:**

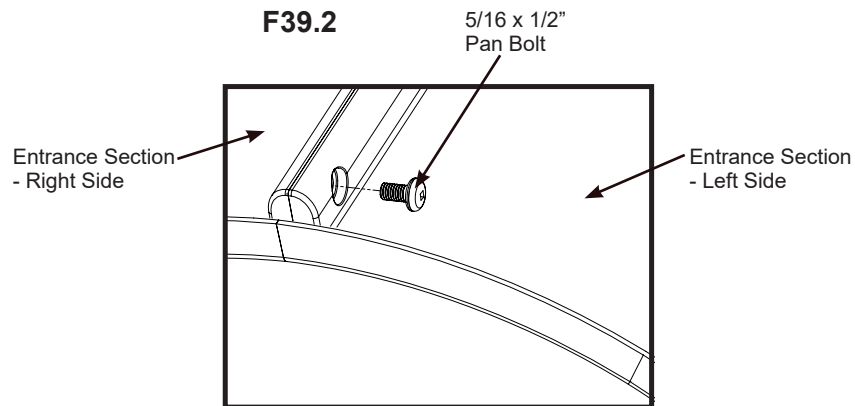
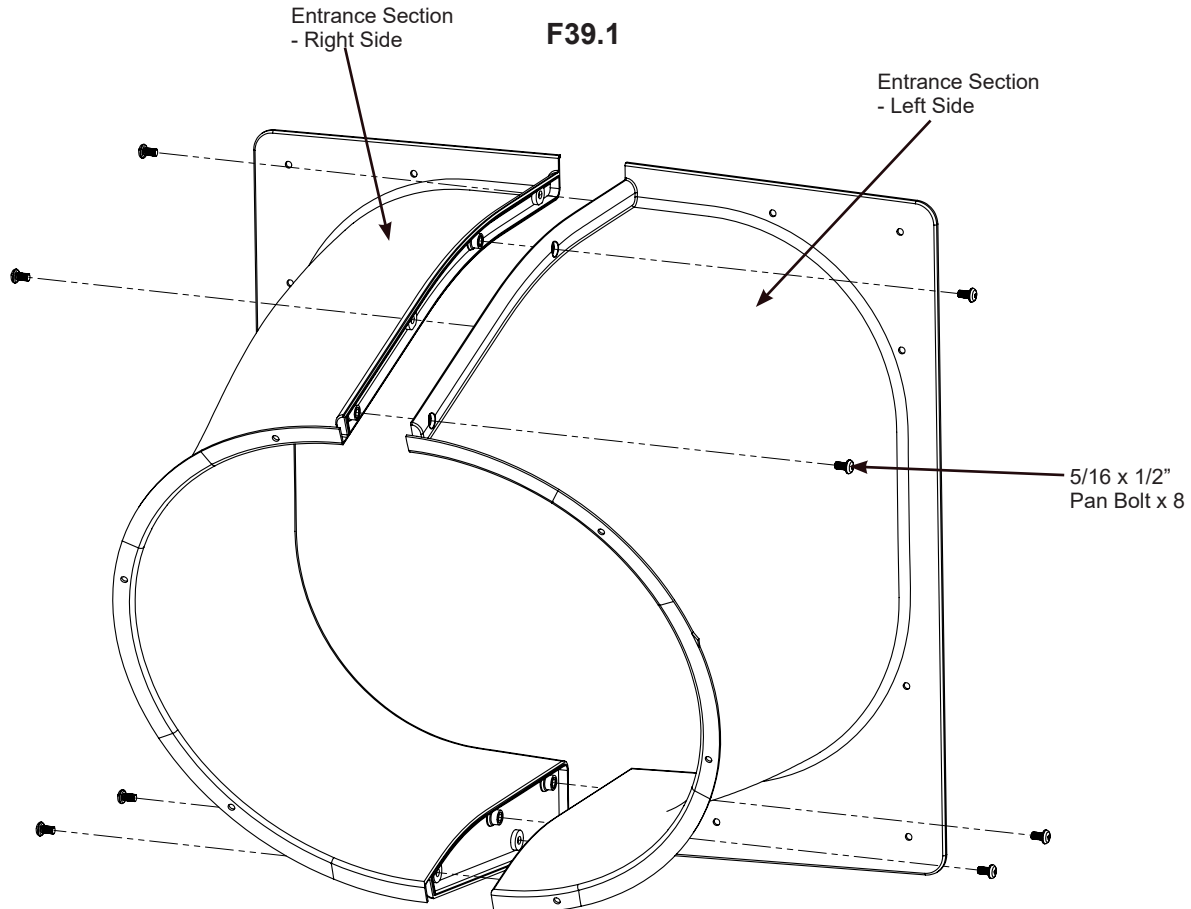
1 x 10' Alpine Slide

**Hardware**

5 x #12 x 2" Pan Screw (with #12 screw bezel)

# Step 39: Turbo Slide Assembly Part 1

**A:** Fasten Entrance Section - Right Side and Entrance Section - Left Side together with eight 5/16 x 1/2" Pan Bolts. (F39.1 and F39.2)



**Components:**

- 1 x Entrance Section - Right Side
- 1 x Entrance Section - Left Side

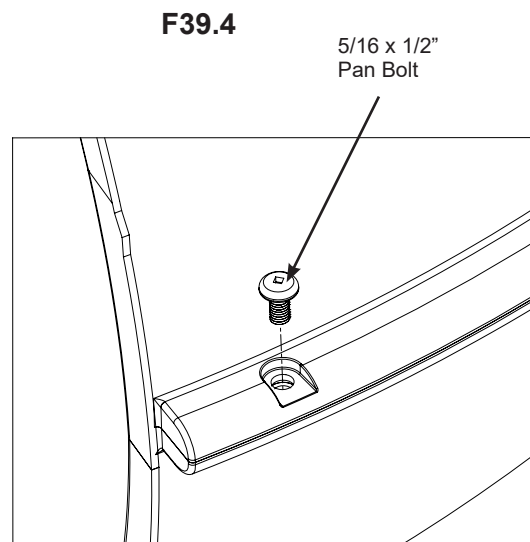
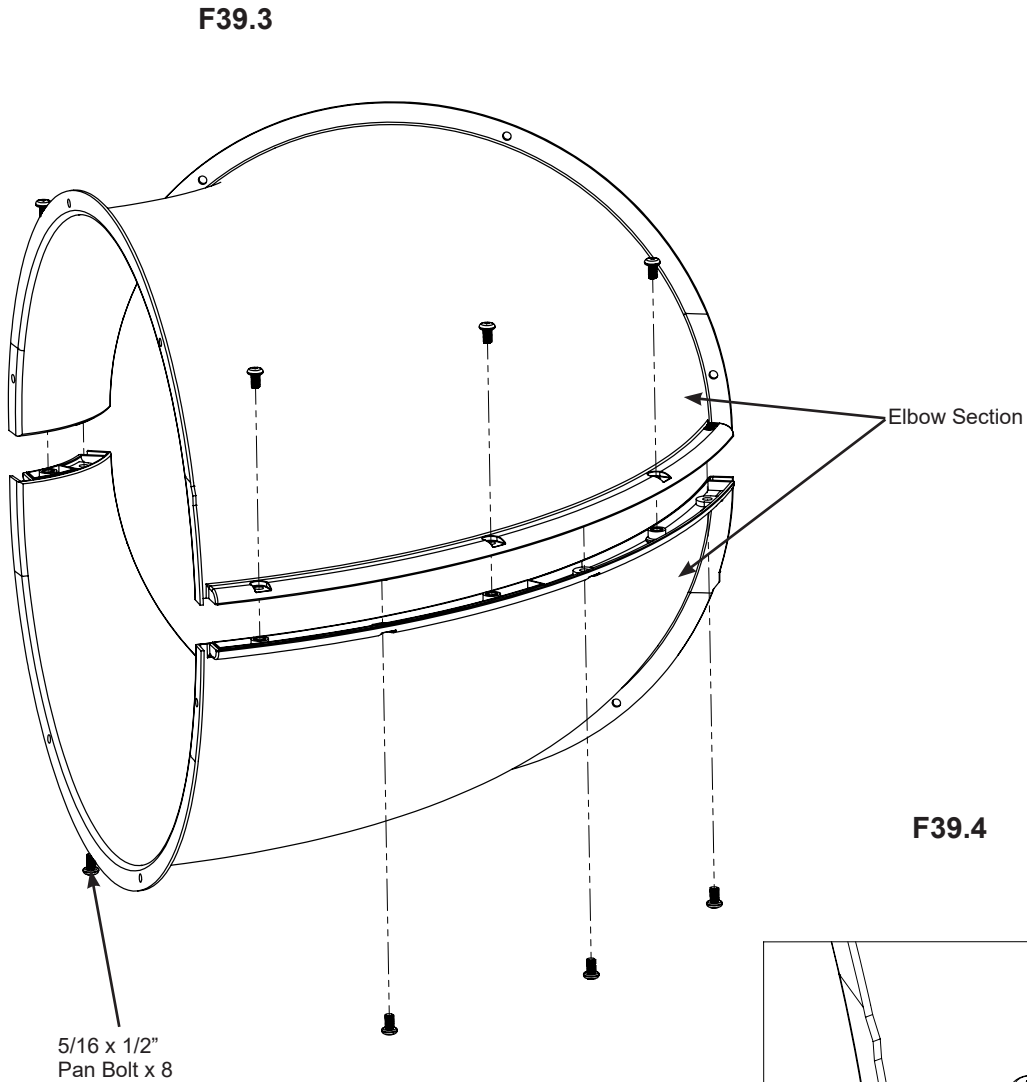
**Hardware**

- 8 x 5/16 x 1/2" Pan Bolt

# Step 39: Turbo Slide Assembly Part 2

**B:** Fasten two Elbow Sections together with eight 5/16 x 1/2" Pan Bolts. (F39.3 and F39.4)

**C:** Repeat Step B two more times to create 3 Elbow Section Assemblies.



**Components:**  
6 x Elbow Section

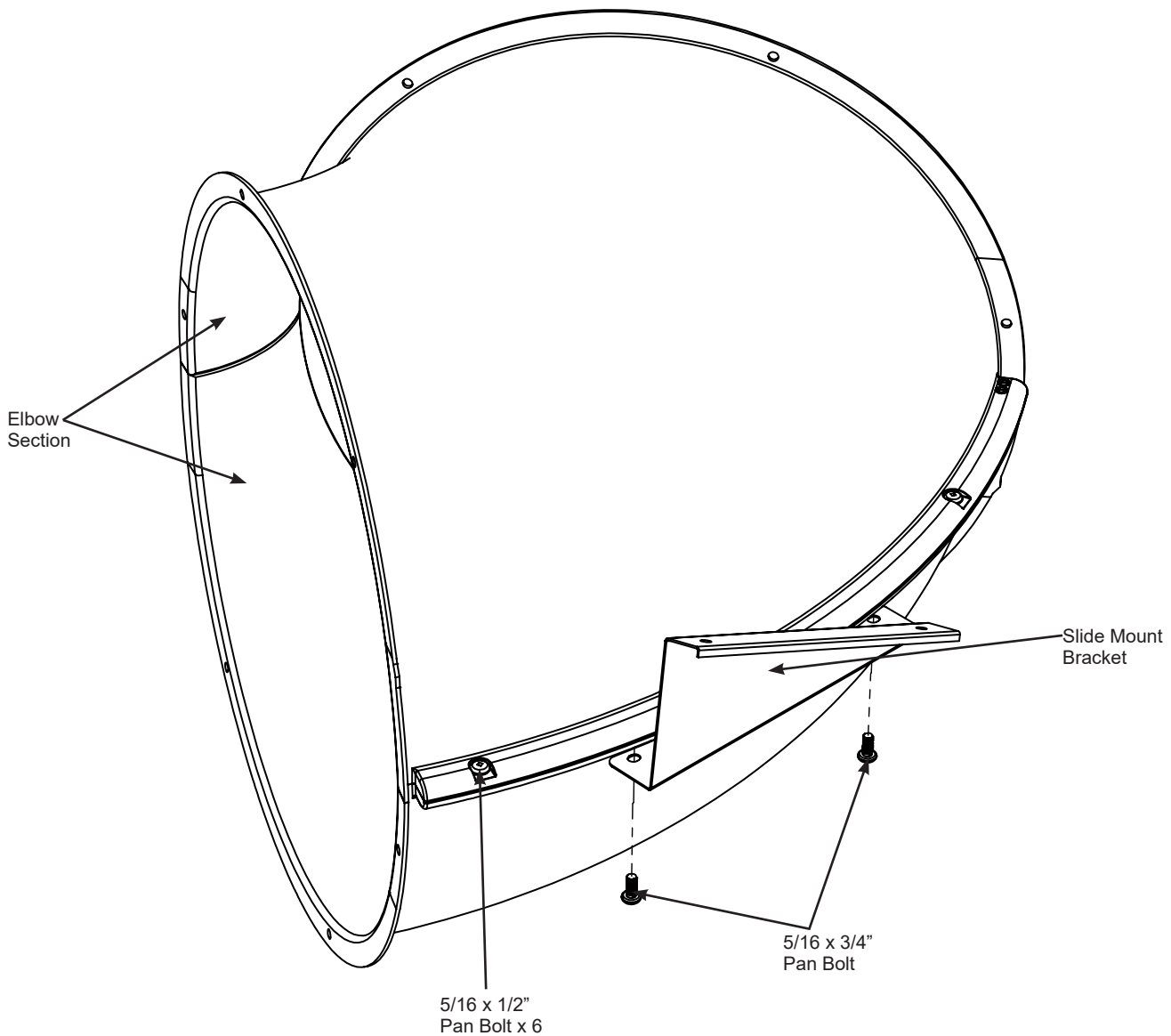
**Hardware**  
24 x 5/16 x 1/2" Pan Bolt

# Step 39: Turbo Slide Assembly Part 3

D: Fasten Elbow Sections together with six 5/16" x 1/2" Pan Head bolts. (F39.5)

E: Fasten Slide Mount Bracket to Elbow with two 5/16" x 3/4" Pan Head Bolts. (F39.5)

F39.5



**Components:**

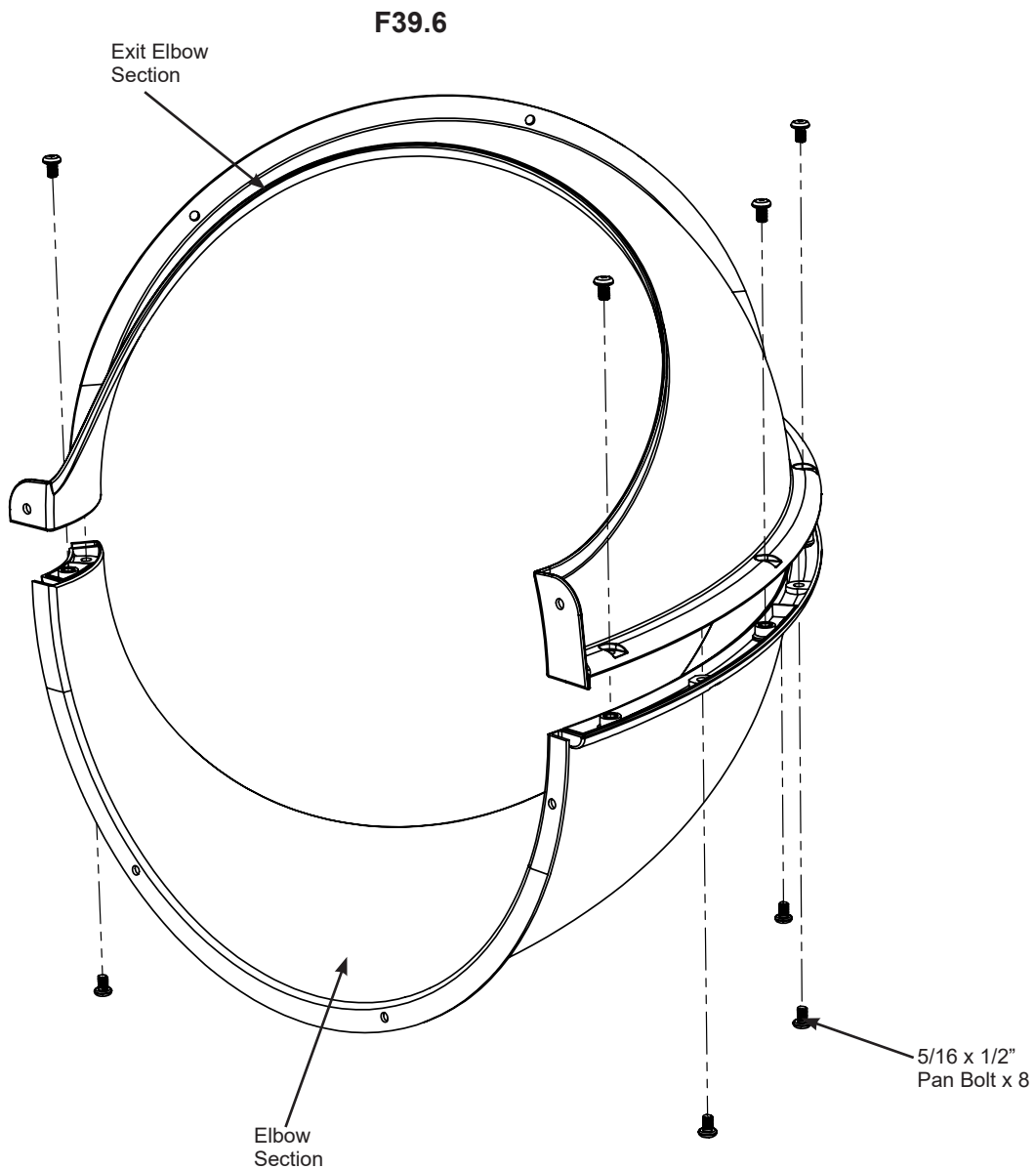
2 x Elbow Section  
1 x Slide Mount Bracket

**Hardware**

6 x 5/16 x 1/2" Pan Bolt  
2 x 5/16 x 3/4" Pan Bolt

# Step 39: Turbo Slide Assembly Part 4

F: Fasten Elbow Section and Exit Elbow Section together with eight 5/16 x 1/2" Pan Bolts. (F39.6)



**Components:**

1 x Elbow Section  
1 x Exit Elbow Section

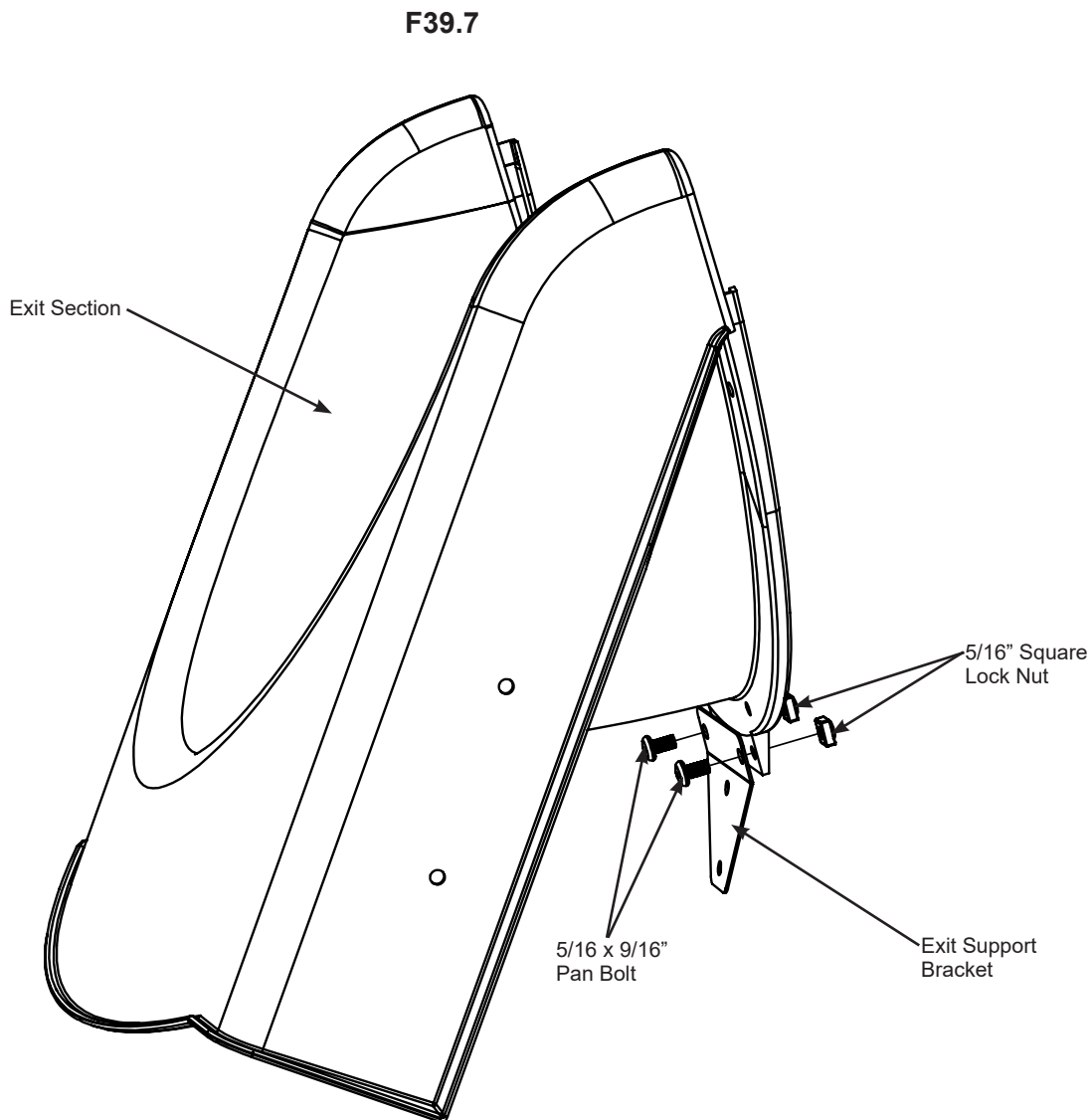
**Hardware**

8 x 5/16 x 1/2" Pan Bolt

# Step 39: Turbo Slide Assembly

## Part 5

**G:** Fasten the tab on the bottom of the Exit Section to the Exit Support Bracket with two 5/16 x 9/16" Pan Bolts (with 5/16" Square Lock Nut). (F39.7)



### Components:

1 x Exit Section  
1 x Exit Support Bracket

### Hardware

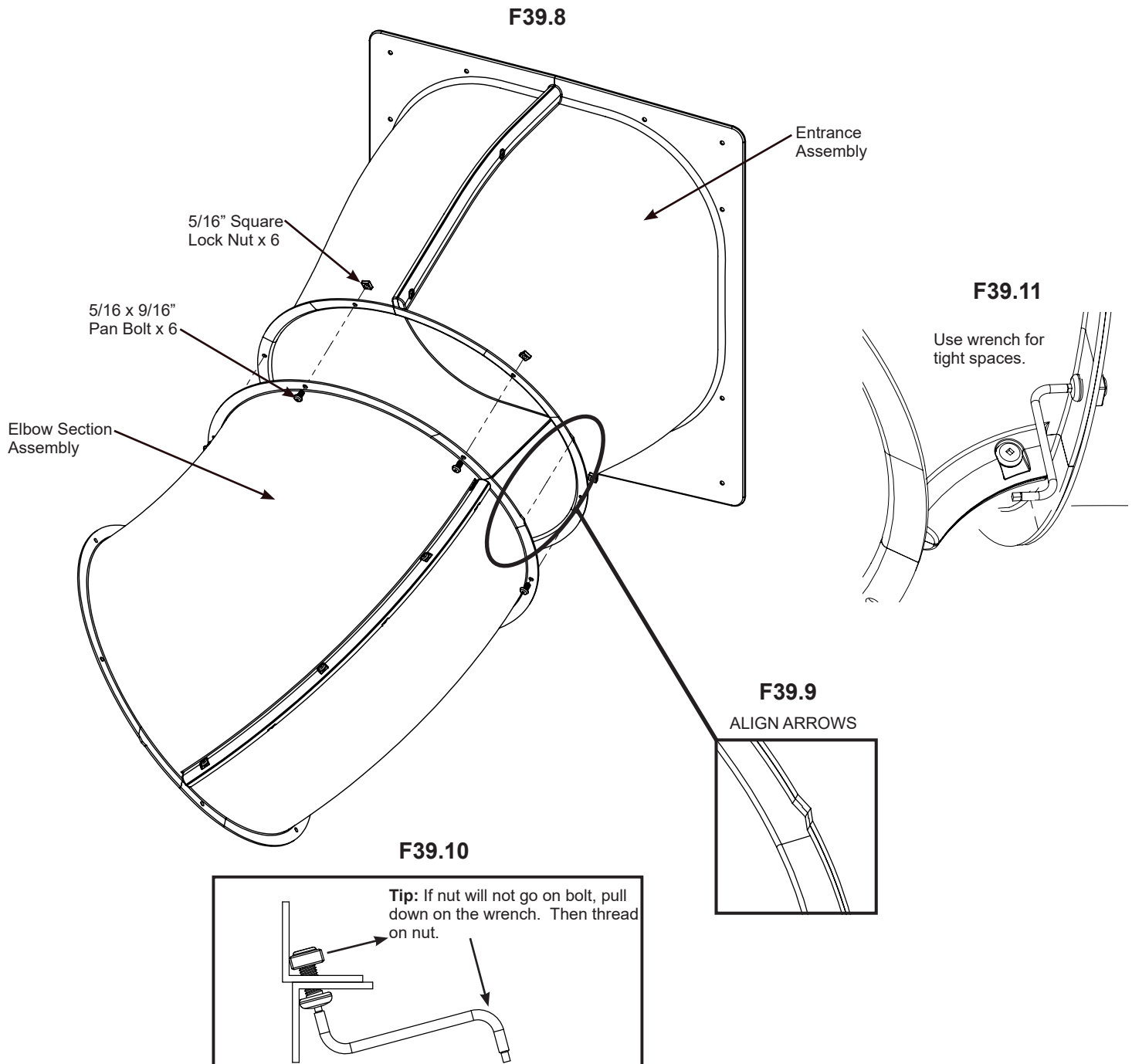
2 x 5/16 x 9/16" Pan Bolt (with 5/16" square lock nut)

# Step 39: Turbo Slide Assembly Part 6

**H:** Fasten the Entrance Assembly to the Elbow Section Assembly with six 5/16 x 9/16 Pan Bolts (with 5/16" Square Lock Nut) (F39.8, F39.9, F39.10 and F39.11)

**Tip:** Hold the bolt with the wrench provided. Use a 5/8" wrench to tighten nut.

**Note:** Align Arrows

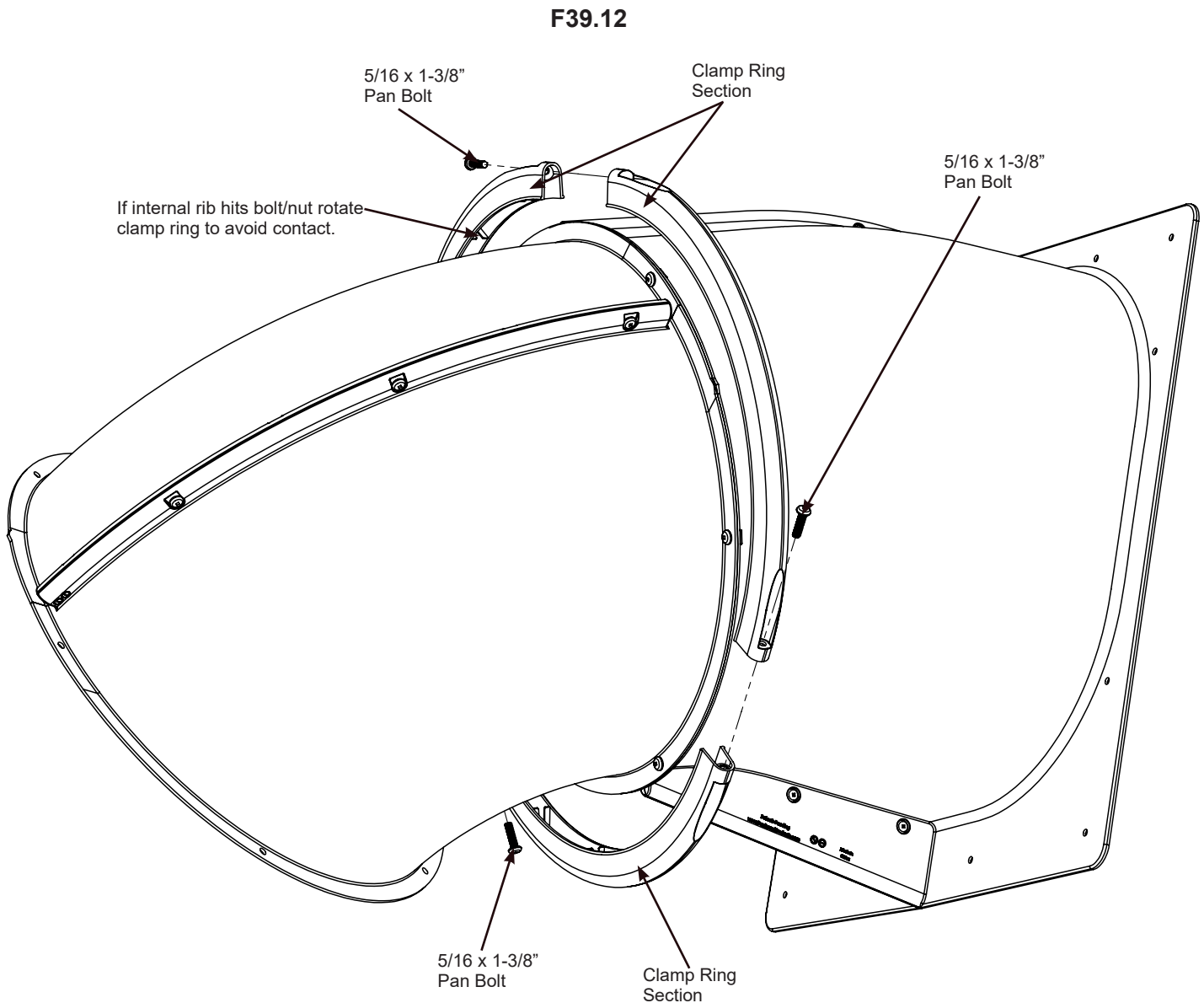


## Hardware

6 x 5/16 x 9/16" Pan Bolt (with 5/16" square lock nut)

# Step 39: Turbo Slide Assembly Part 7

I: Fasten three Clamp Ring sections together over the intersection with three 5/16 x 1-3/8 Pan Bolts. Partially thread each bolt into the next Clamp Ring. When all bolts are partially installed, tighten all bolts. (F39.12)



**Components:**

3 x Clamp Ring Section

**Hardware**

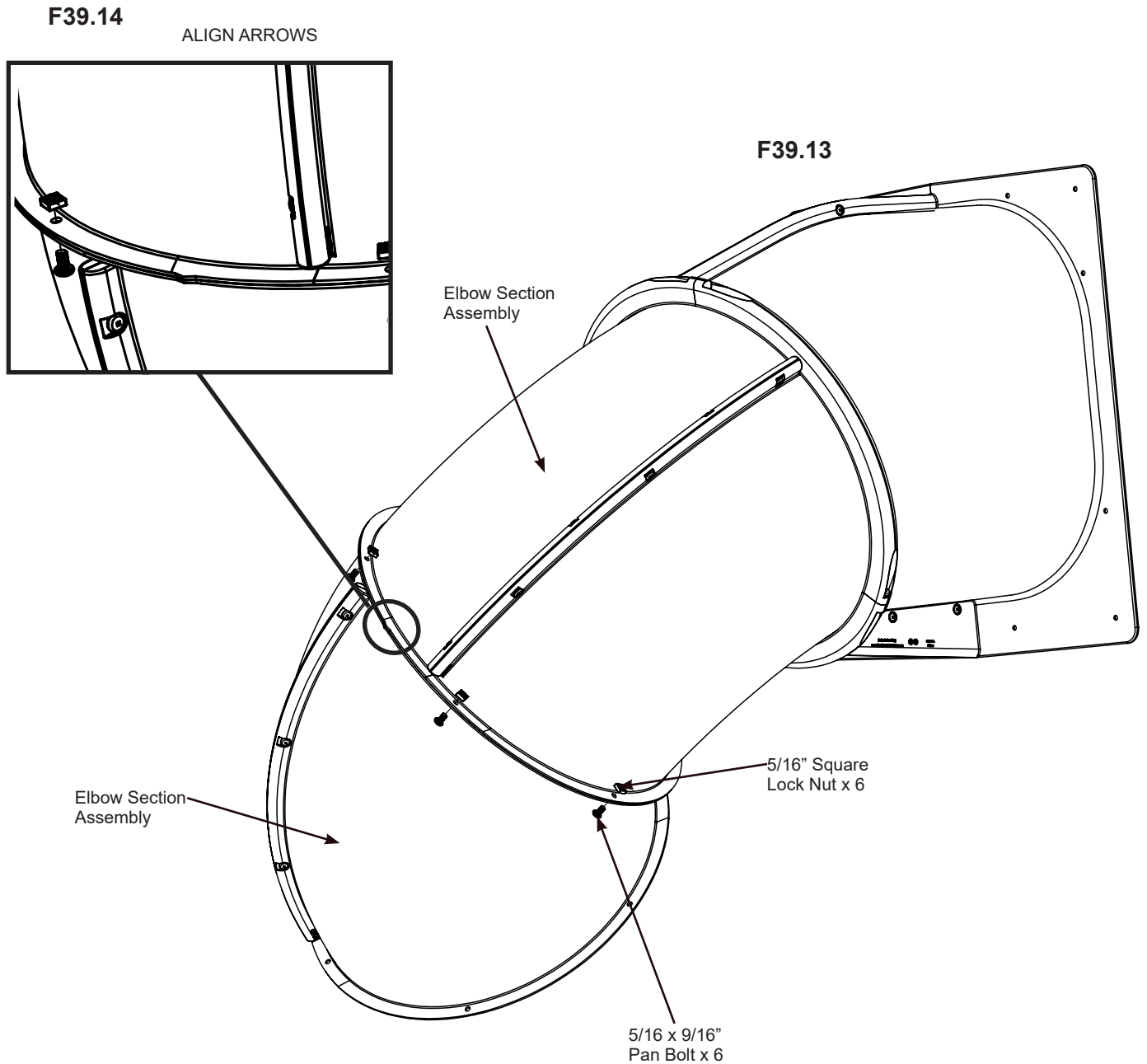
3 x 5/16 x 1-3/8 Pan Bolt



# Step 39: Turbo Slide Assembly Part 8

**J:** Fasten the Elbow Section Assemblies together with six 5/16 x 9/16" Pan Bolts (with 5/16" Square Lock Nut).  
(F39.13 and F39.14)

**Note:** Align Arrows.

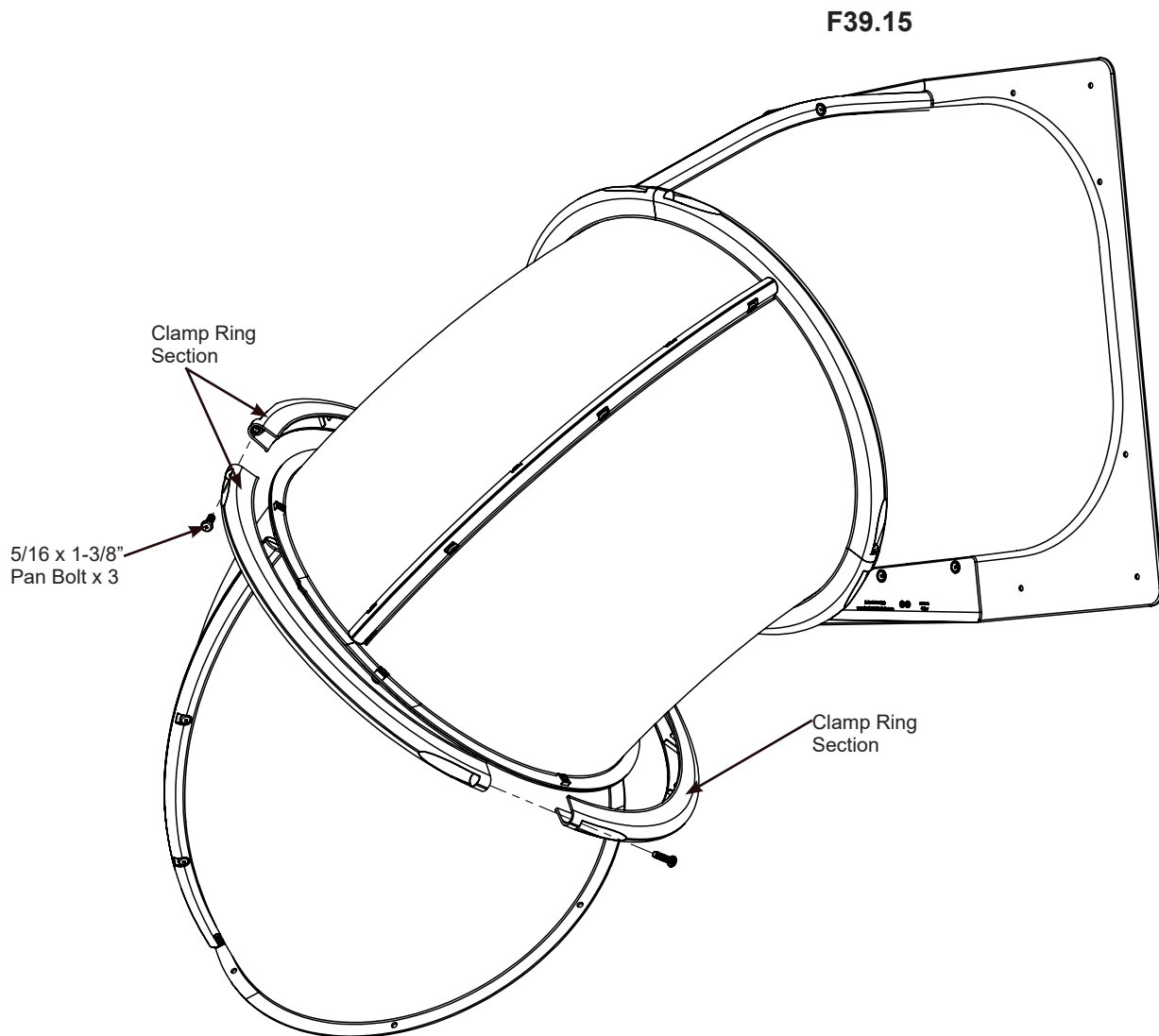


### Hardware

6 x 5/16 x 9/16" Pan Bolt (with 5/16" square lock nut)

## Step 39: Turbo Slide Assembly Part 9

**K:** Fasten three Clamp Ring sections together over the intersection with three 5/16 x 1-3/8 Pan Bolts. Partially thread each bolt into the next Clamp Ring. When all bolts are partially installed, tighten all bolts. (F39.15)



**Components:**

3 x Clamp Ring Section

**Hardware**

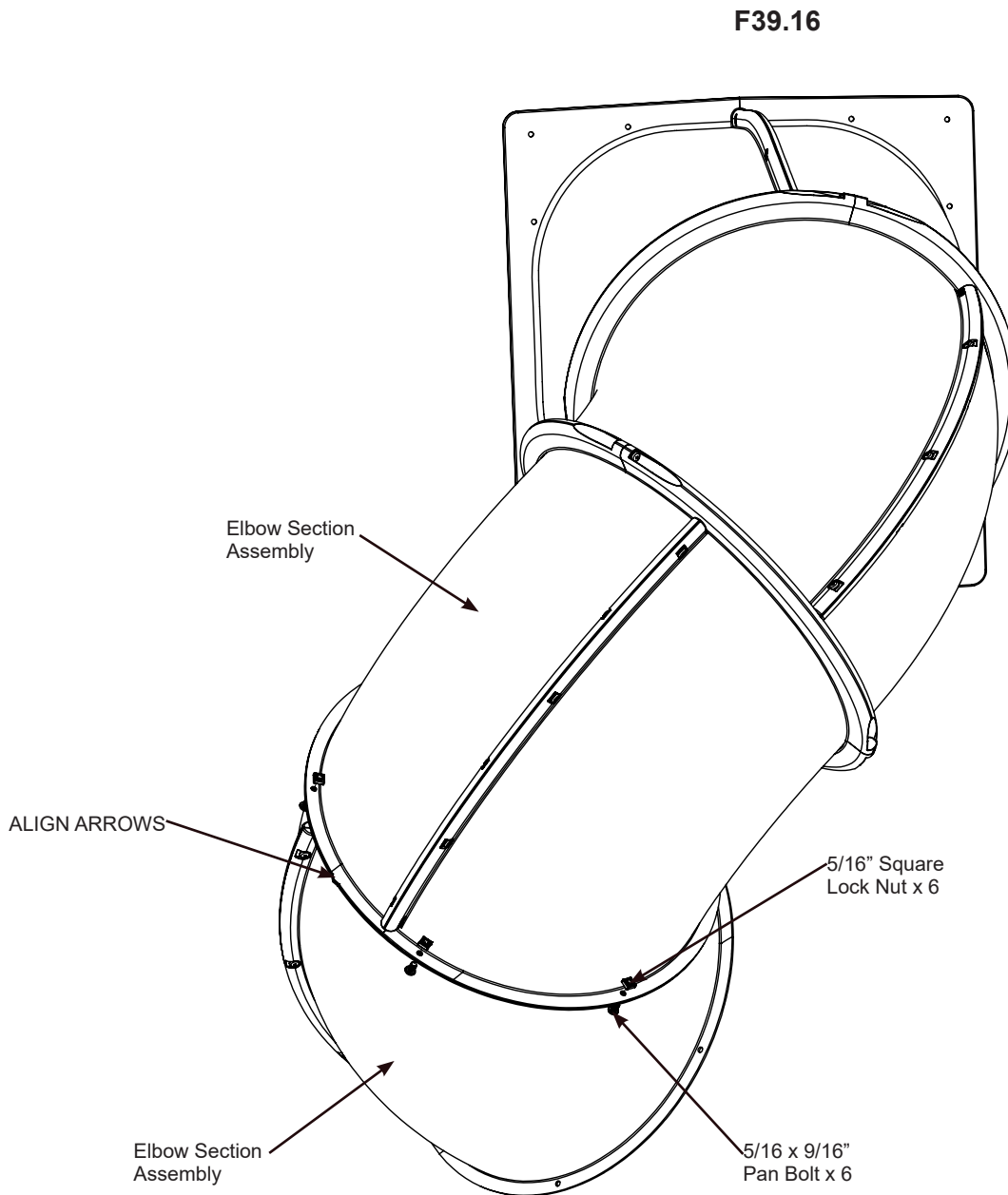
3 x 5/16 x 1-3/8" Pan Bolt

# Step 39: Turbo Slide Assembly

## Part 10

**L:** Fasten the Elbow Section Assemblies together with six 5/16 x 9/16" Pan Bolts (with 5/16" Square Lock Nut). (F39.16)

**Note:** Align Arrows.



### Hardware

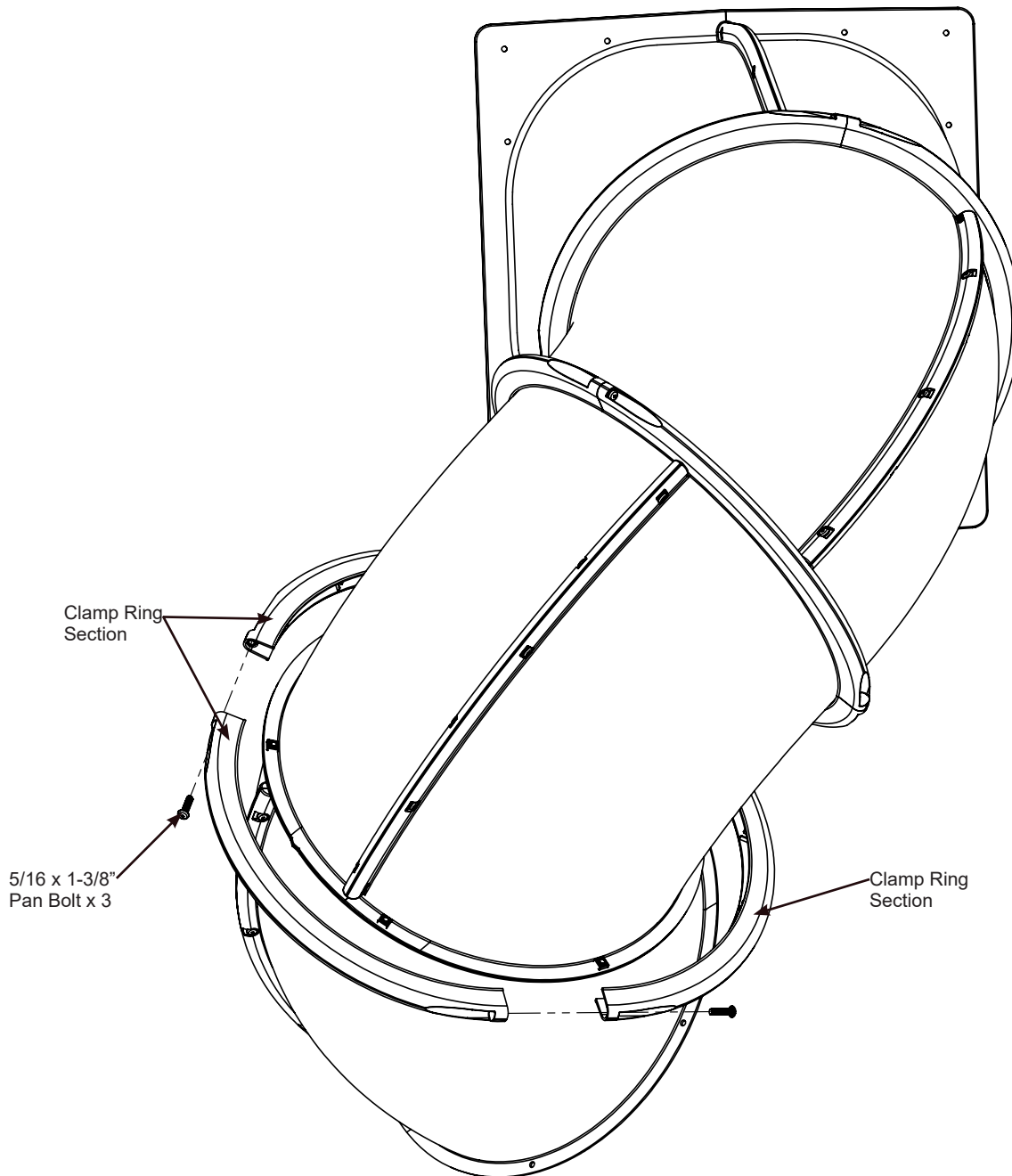
6 x 5/16 x 9/16" Pan Bolt (with 5/16" square lock nut)

# Step 39: Turbo Slide Assembly

## Part 11

**M:** Fasten three Clamp Ring sections together over the intersection with three 5/16 x 1-3/8 Pan Bolts. Partially thread each bolt into the next Clamp Ring. When all bolts are partially installed, tighten all bolts. (F39.17)

F39.17



**Components:**

3 x Clamp Ring Section

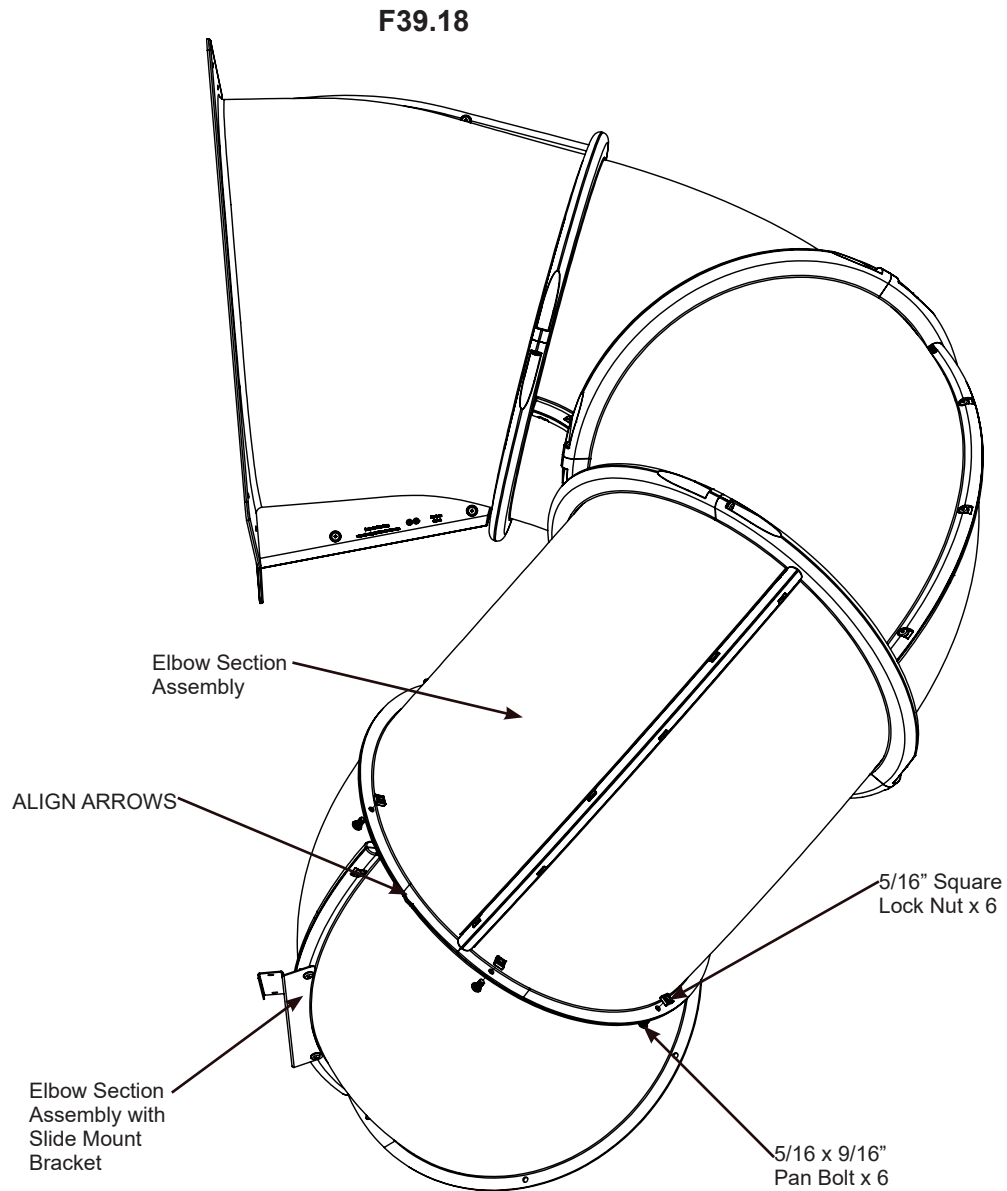
**Hardware**

3 x 5/16 x 1-3/8" Pan Bolt

## Step 39: Turbo Slide Assembly Part 12

**N:** Fasten the Elbow Section Assembly and Elbow Section Assembly with Slide Mount Bracket together with six 5/16 x 9/16" Pan Bolts (with 5/16" Square Lock Nut). (F39.18)

**Note:** Align Arrows.



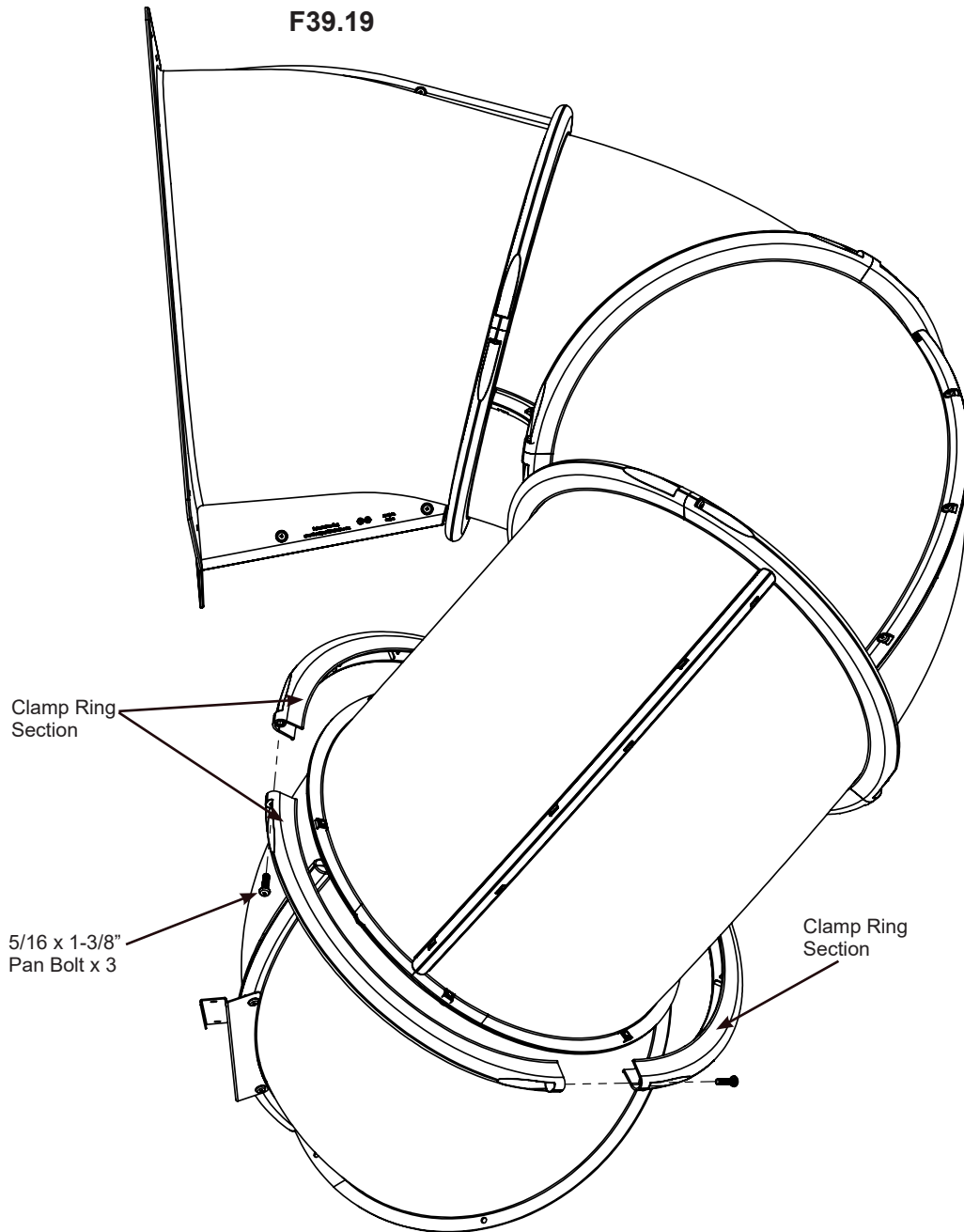
### Hardware

6 x 5/16 x 9/16" Pan Bolt (with 5/16" square lock nut)

# Step 39: Turbo Slide Assembly

## Part 13

**O:** Fasten three Clamp Ring sections together over the intersection with three 5/16 x 1-3/8 Pan Bolts. Partially thread each bolt into the next Clamp Ring. When all bolts are partially installed, tighten all bolts. (F39.19)



**Components:**

3 x Clamp Ring Section

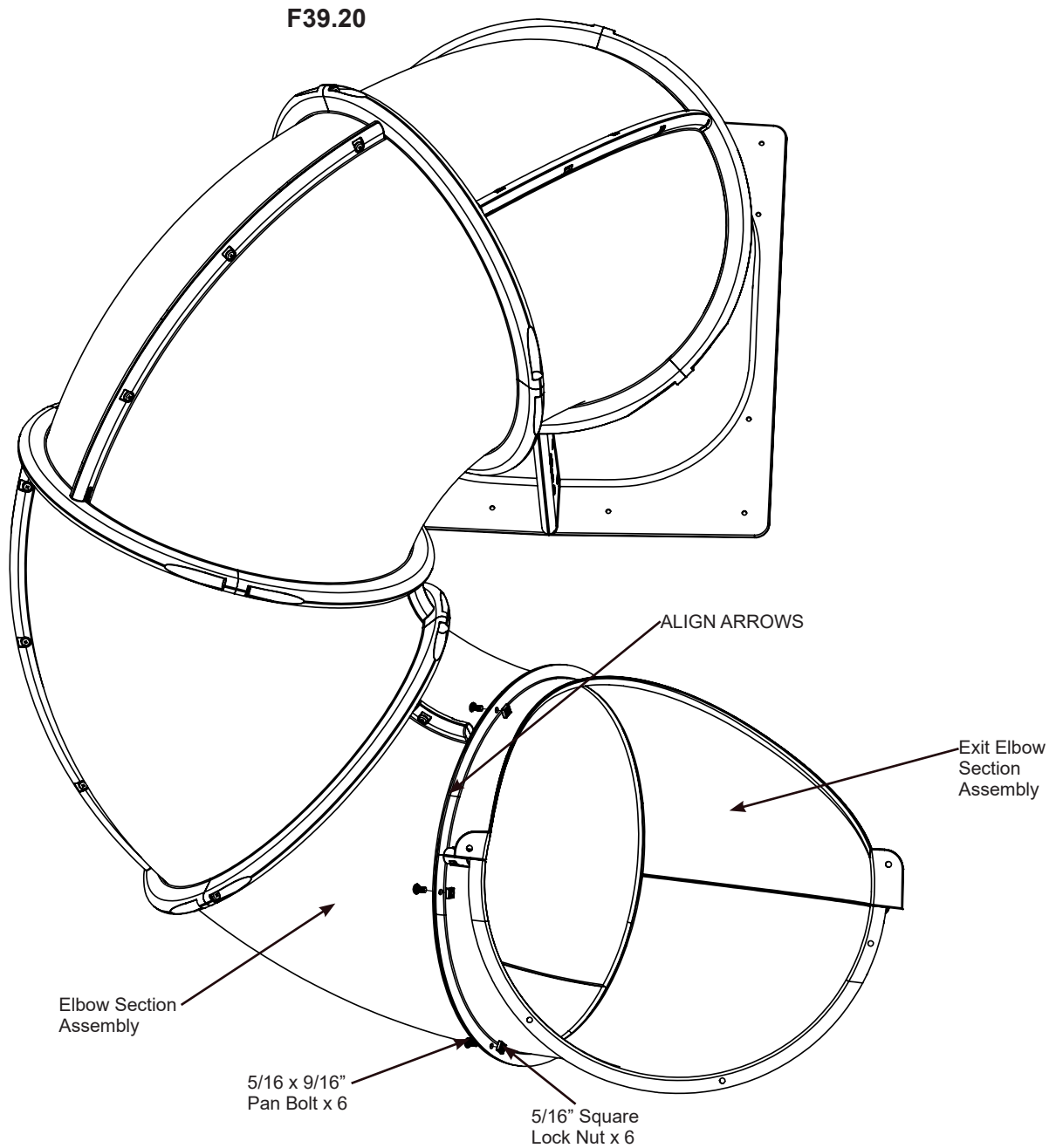
**Hardware**

3 x 5/16 x 1-3/8" Pan Bolt

## Step 39: Turbo Slide Assembly Part 14

**P:** Fasten the Elbow Section Assembly and Exit Elbow Section Assembly together with six 5/16 x 9/16" Pan Bolts (with 5/16" Square Lock Nut). (F39.20)

**Note:** Align Arrows.



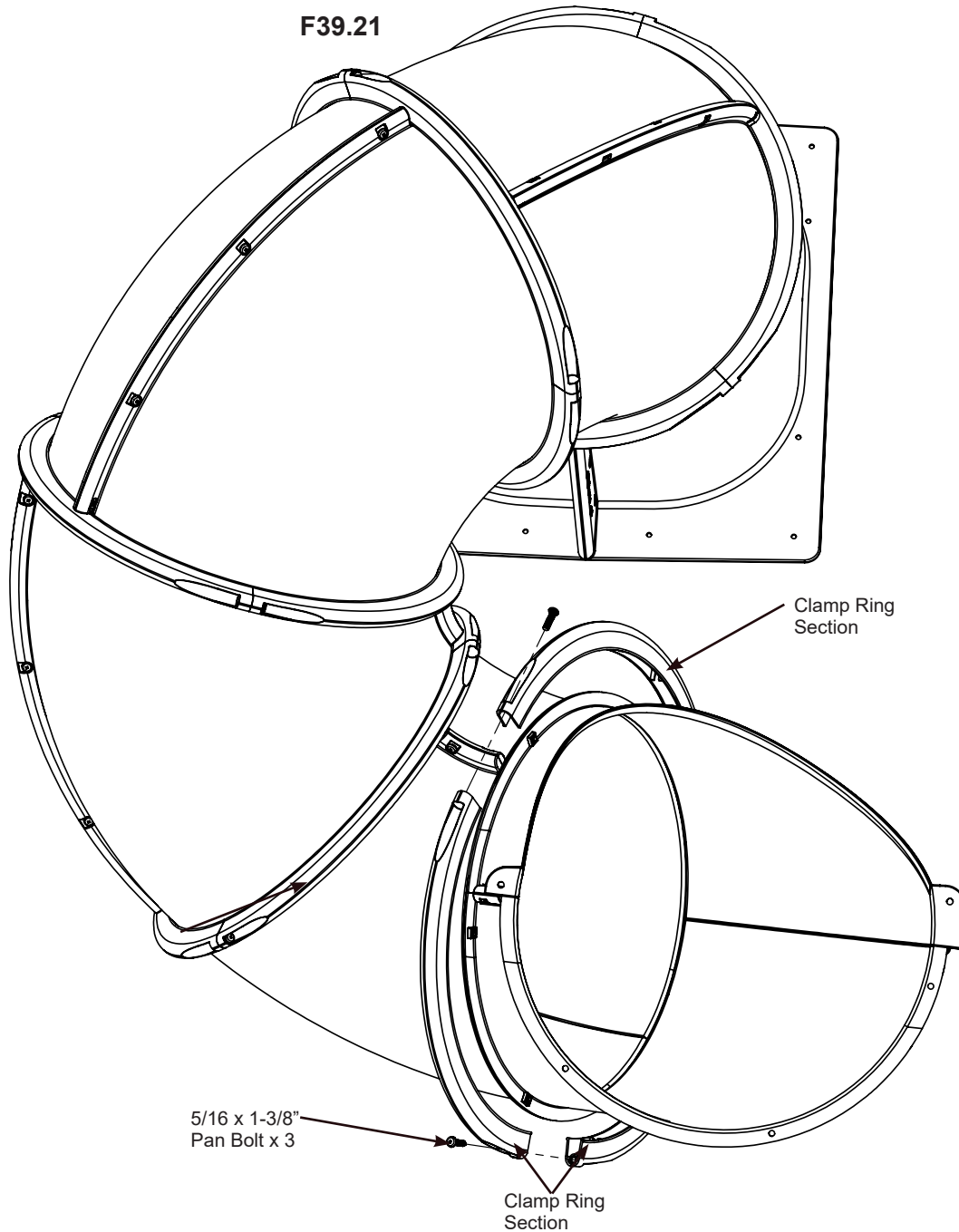
### Hardware

6 x 5/16 x 9/16" Pan Bolt (with 5/16" square lock nut)

# Step 39: Turbo Slide Assembly

## Part 15

**Q:** Fasten three Clamp Ring sections together over the intersection with three 5/16 x 1-3/8 Pan Bolts. Partially thread each bolt into the next Clamp Ring. When all bolts are partially installed, tighten all bolts. (F39.21)



**Components:**

3 x Clamp Ring Section

**Hardware**

3 x 5/16 x 1-3/8" Pan Bolt

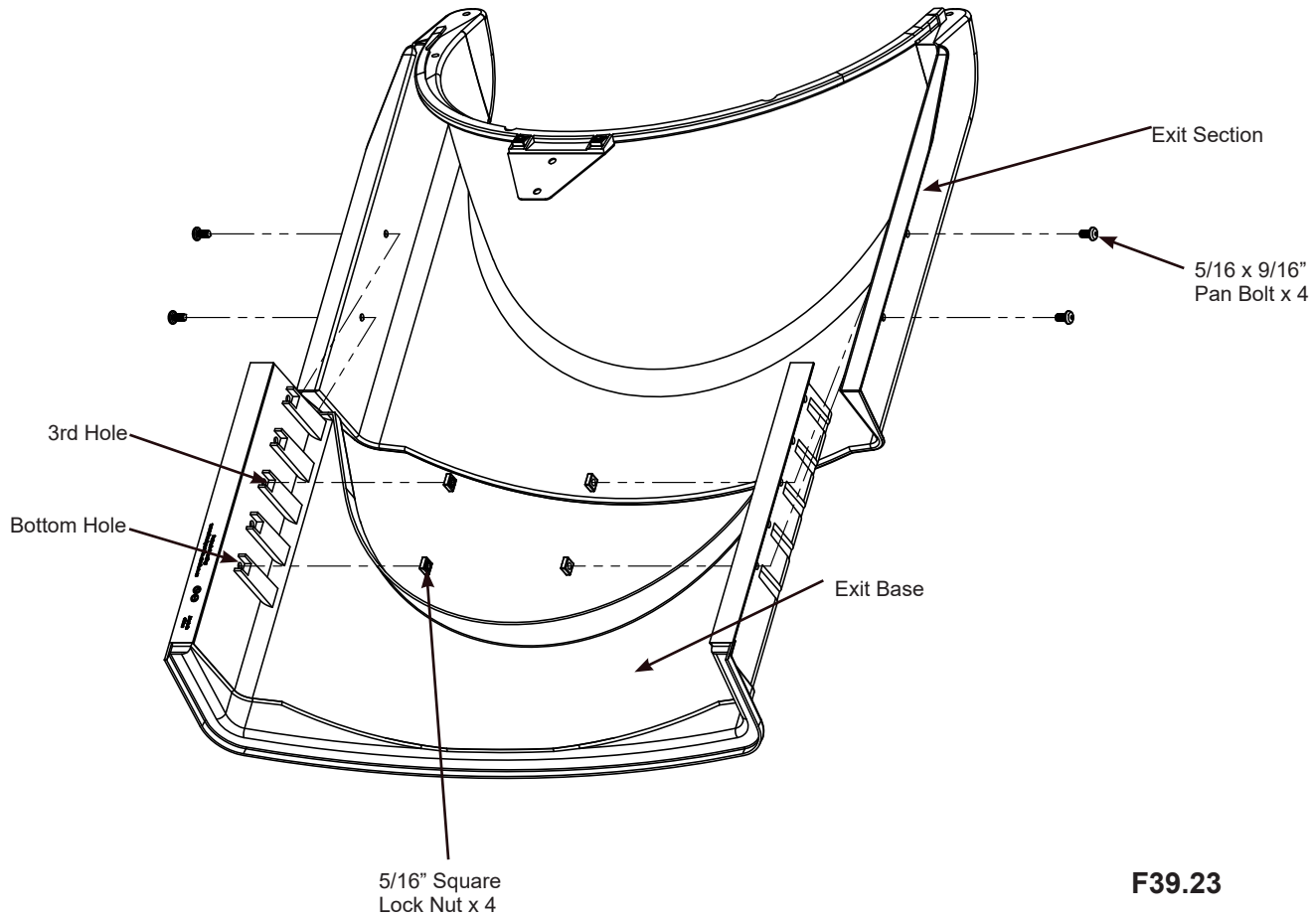


# Step 39: Turbo Slide Assembly

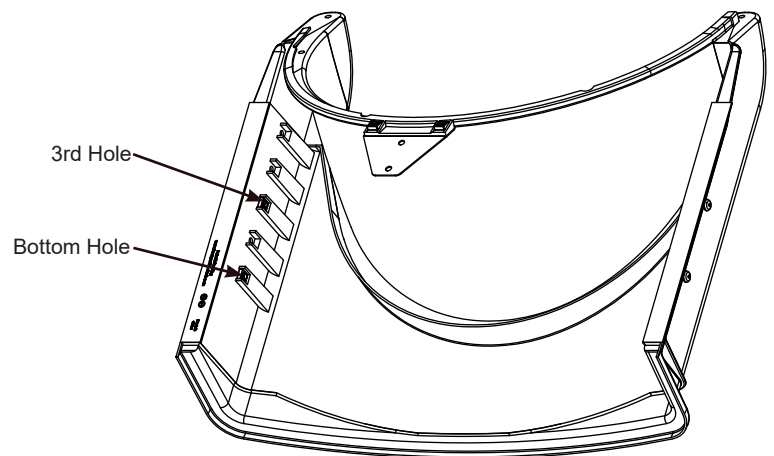
## Part 16

**R:** Fasten the Exit Section to the Exit Base through the bottom and 3rd holes with four 5/16 x 9/16" Pan Bolts (with 5/16" Square Lock Nut). (F39.22 and F39.23)

**F39.22**



**F39.23**



**Components:**

1 x Exit Base

**Hardware**

4 x 5/16 x 9/16" Pan Bolt (with 5/16" square lock nut)

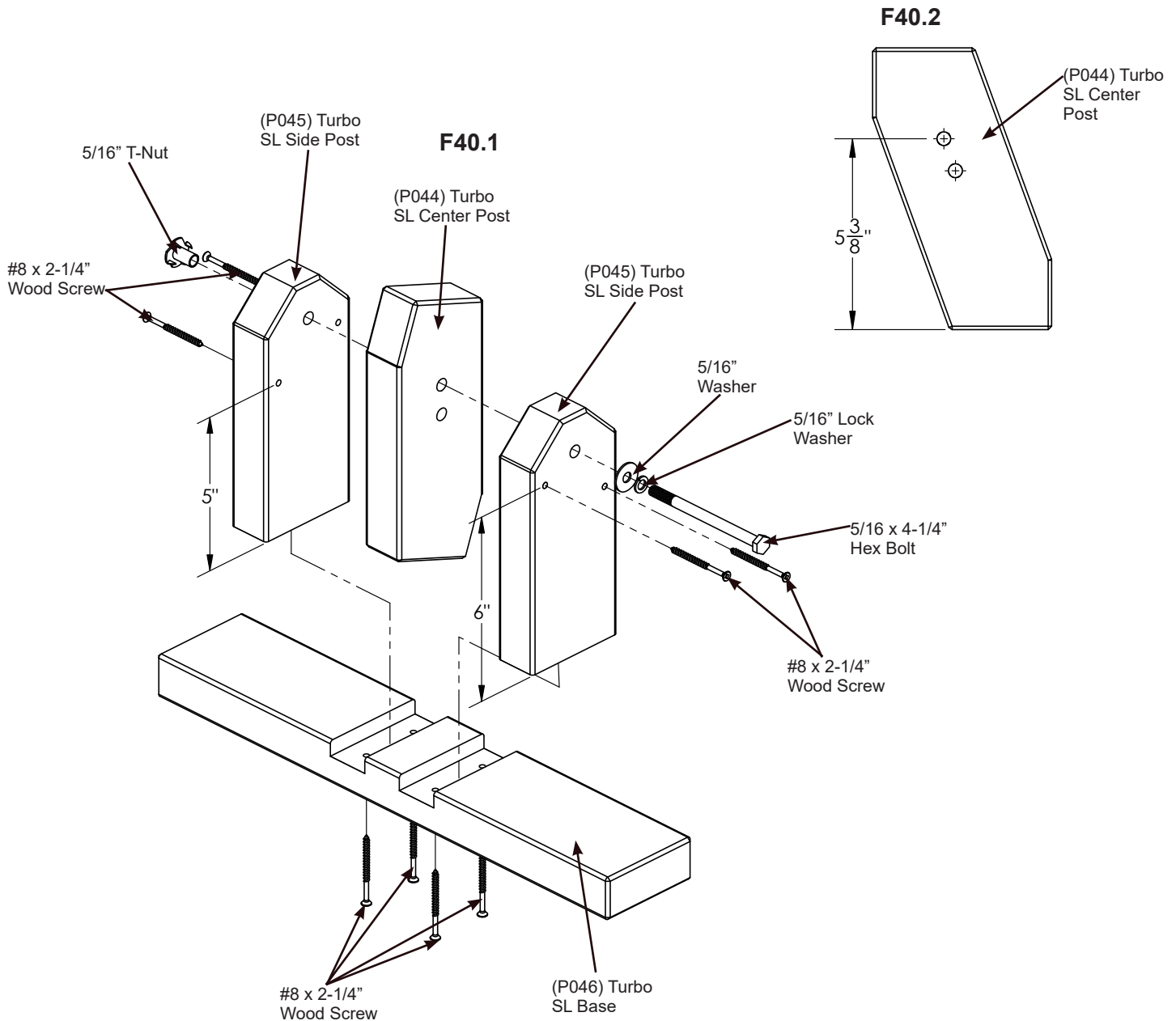


# Step 40: Turbo Slide Exit Support Assembly

**A:** Note the position of the small holes in the (P045) Turbo SL Side Post then install 5/16" T-Nut. (F40.1)

**B:** Loosely connect two (P045) Turbo SL Side Posts and one (P044) Turbo SL Center Post using one 5/16 x 4-1/4" Hex Bolt (with 5/16" Lock Washer, 5/16" Washer) into previously installed T-Nut. (F40.1 and F40.2)

**NOTE:** Use the top hole of (P044) Turbo SL Center Post.



### Wood Parts

- 1 x (P044) Turbo SL Center Post
- 2 x (P045) Turbo SL Side Post
- 1 x (P046) Turbo SL Base

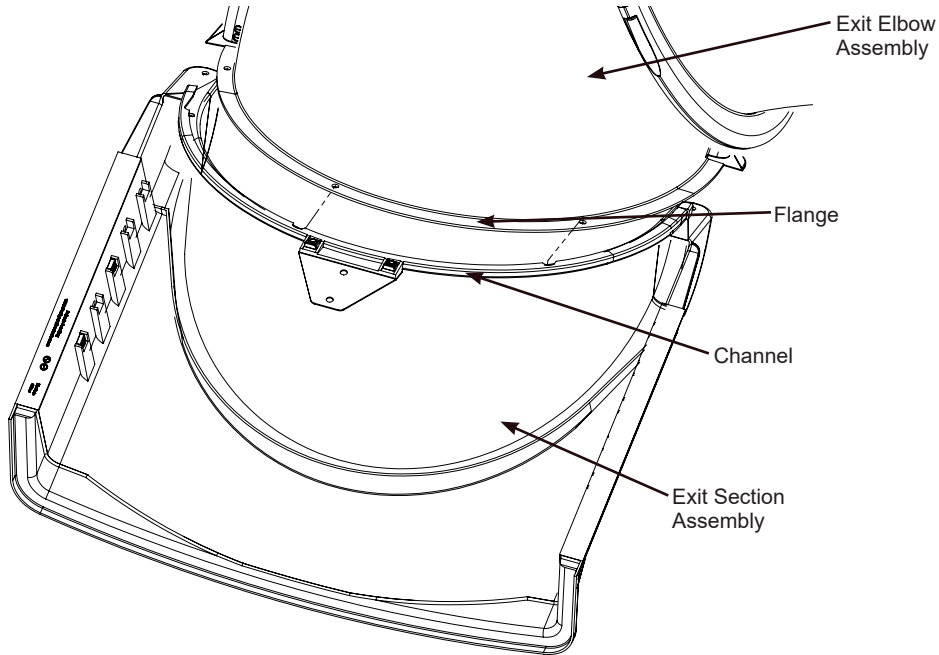
### Hardware

- 8 x #8 x 2-1/4" Wood Screw
- 1 x 5/16 x 4-1/4" Hex Bolt  
(with 5/16" lock washer, 5/16" washer, 5/16" t-nut)

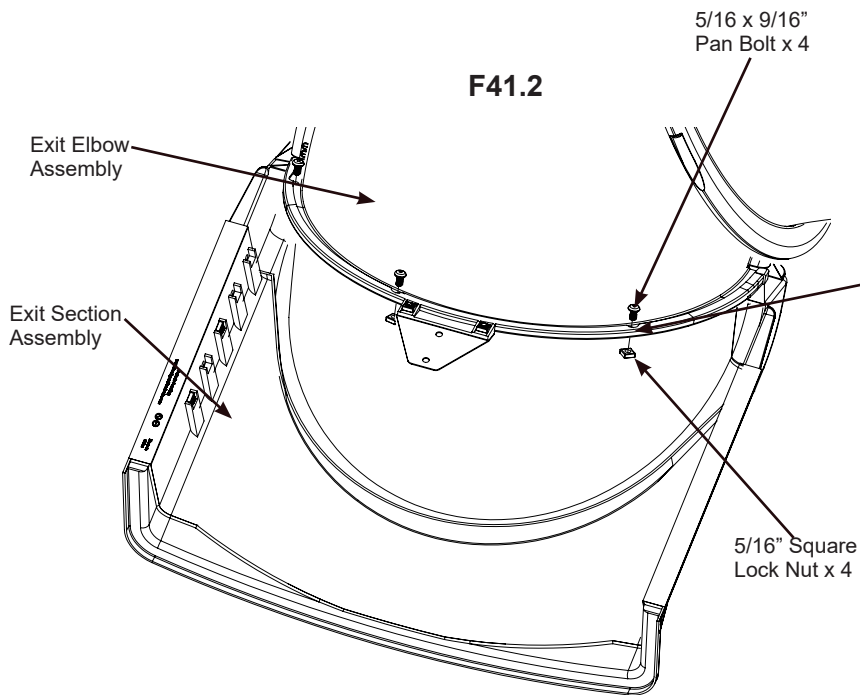
# Step 41: Turbo Slide Exit Assembly Part 1

**A:** Place the flange of the Exit Section into the channel of the Exit Assembly and attach with three 5/16 x 9/16" Pan Bolts (with 5/16" Square Lock Nut). (F41.1, F41.2 and F41.3)

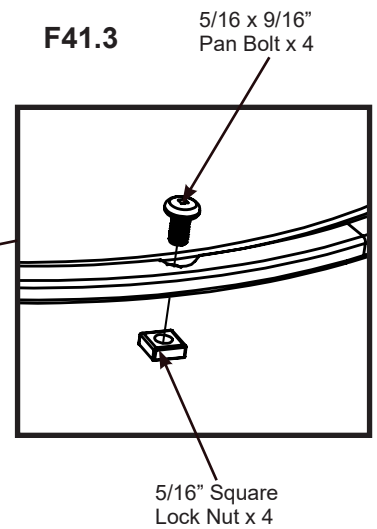
**F41.1**



**F41.2**



**F41.3**

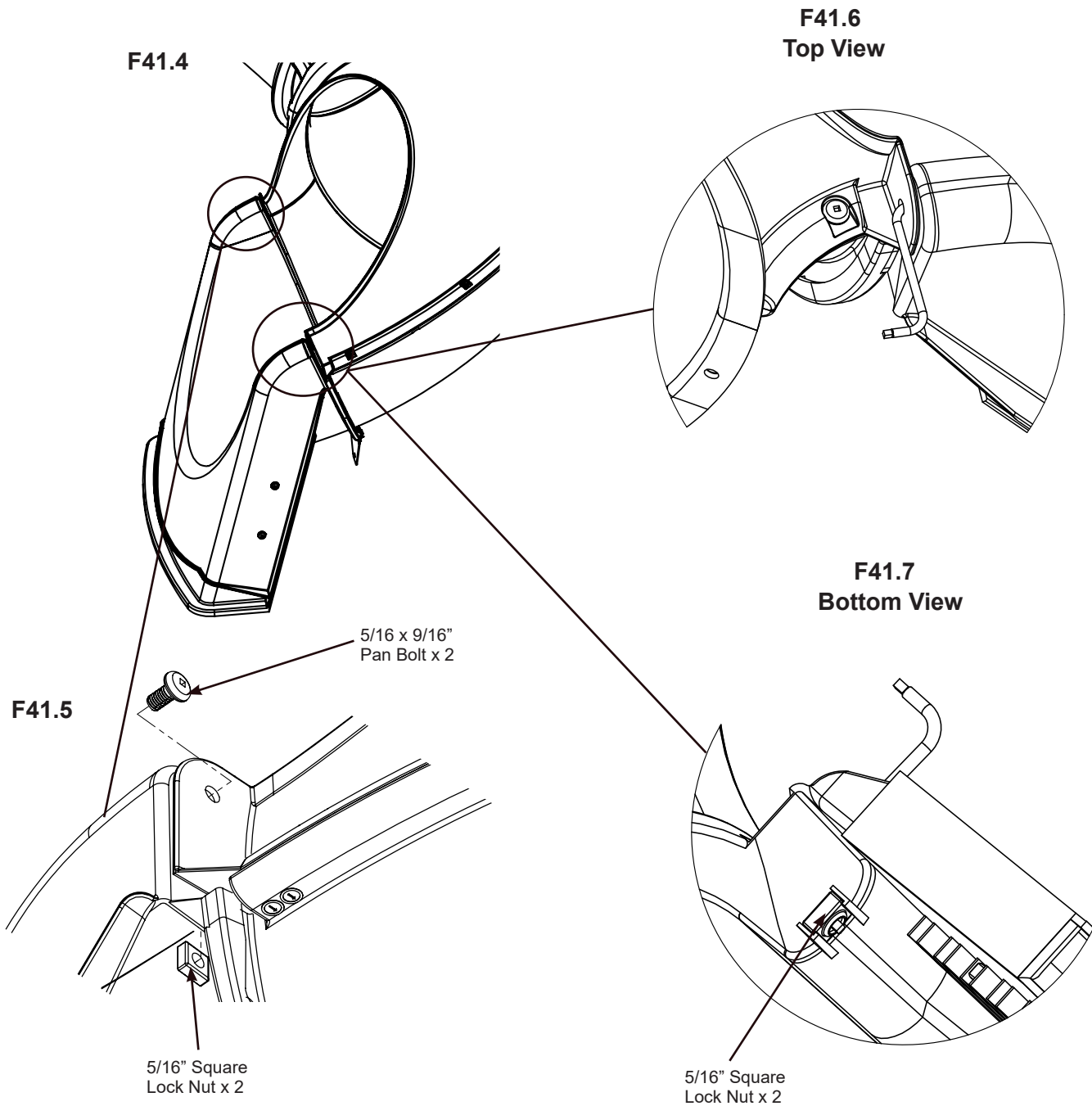


## **Hardware**

**4 x 5/16 x 9/16" Pan Bolt (with 5/16" square lock nut)**

# Step 41: Turbo Slide Exit Assembly Part 2

**B:** Fasten the Exit Elbow Section with cutout area to the Exit Assembly with two 5/16 x 9/16" Pan Bolts (with 5/16" Square Lock Nut). Use wrench on inside radius to pre-align holes with nut as shown in F42.6 and F42.7. Hold nut in place and install bolt. (F41.4, F41.5, F41.6 and F41.7)



## Hardware

2 x 5/16 x 9/16" Pan Bolt (with 5/16" square lock nut)

# Step 41: Turbo Slide Exit Assembly Part 3



**Note:** Pre-drill all pilot holes using a 1/8" drill bit before installing Lag Screws.

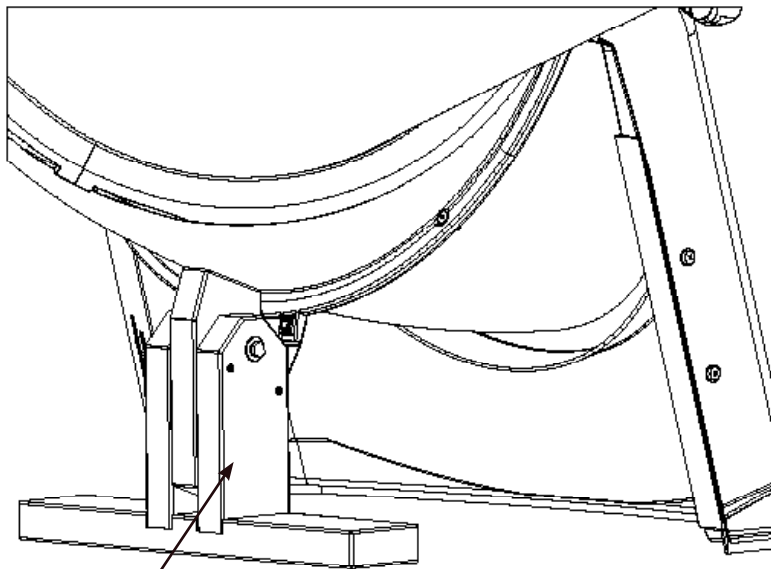
**C:** Position Exit Support Assembly against the Exit Bracket. (F41.8 and F41.9)

**D:** Center the Exit Support Assembly on the Exit Bracket hole and mark the holes. (F41.8 and F41.9)

**E:** Pre Drill at marked locations. (F41.8 and F41.9)

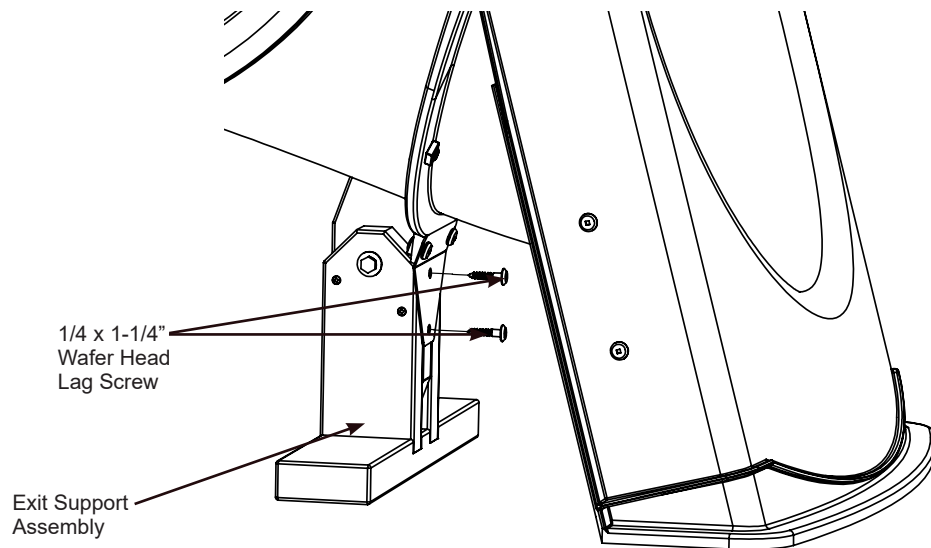
**F:** Attached Exit Support Assembly to Exit Bracket using two 1/4 x 1-1/4" Wafer Head Lag Screws. (F41.8 and F41.9)

**F41.8**



Exit Support  
Assembly

**F41.9**



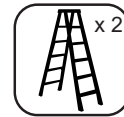
1/4 x 1-1/4"  
Wafer Head  
Lag Screw

Exit Support  
Assembly

## Hardware

2 x 1/4 x 1-1/4" Wafer Head Lag Screw

# Step 42: Turbo Slide Installation Part 1

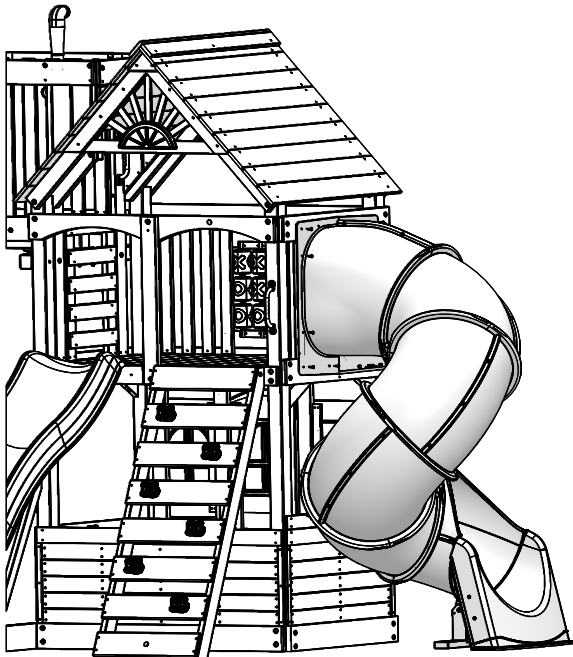


**Note:** Pre-drill all pilot holes using a 1/8" drill bit before installing Lag Screw.

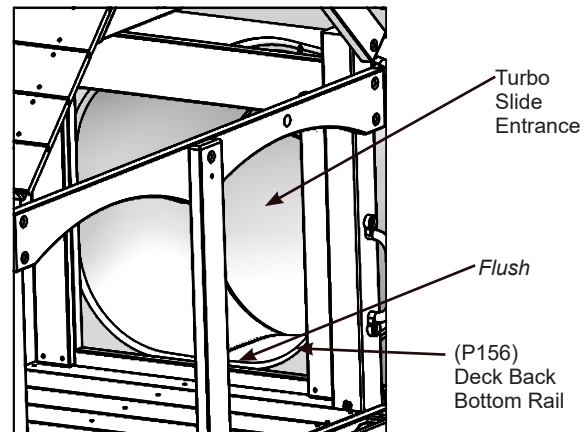
**A:** With a helper place Turbo Slide Entrance over the opening in Turbo Slide Wall. Ensure Turbo Slide Entrance is flush to the top of (P156) Deck Back Bottom Rail. Attach Slide with 12 1/4 x 1-1/4" Wafer Head Lag Screws. (F42.1, F42.2 and F42.3)

**B:** Attach Slide Mount Bracket on (P137) Tube Slide Support using two 1/4 x 1-1/4" Wafer Head Lag Screw. (F42.1 and F42.4)

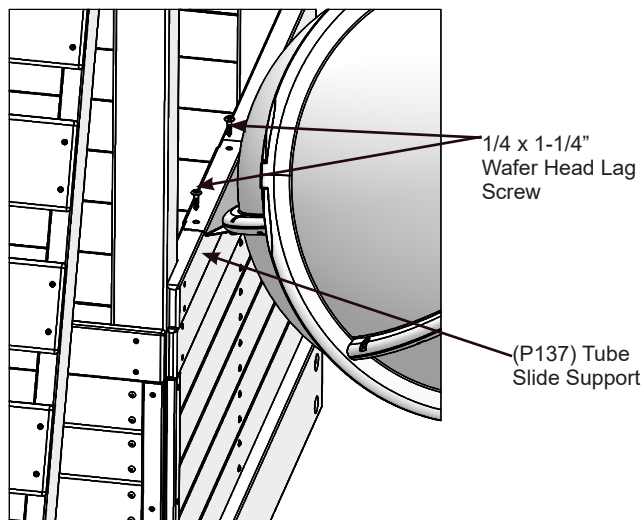
**F42.1**



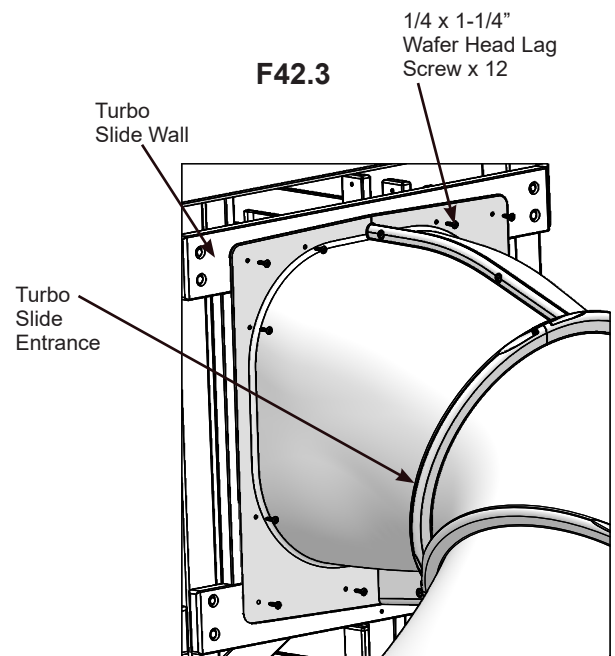
**F42.2  
Inside View**



**F42.3**



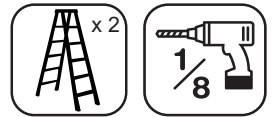
**F42.3**



## **Hardware**

**14 x 1/4 x 1-1/4" Wafer Head Lag Screws**

# Step 42: Turbo Slide Installation Part 2

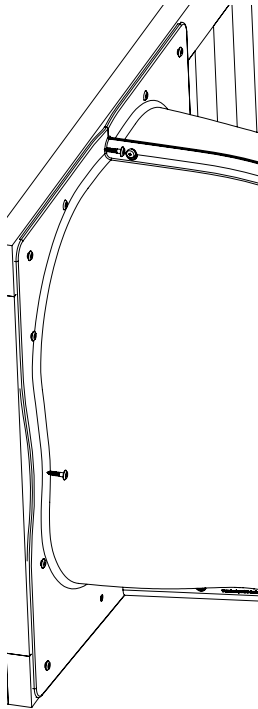


**Note:** Pre-drill all pilot holes using a 1/8" drill bit before installing Lag Screw.

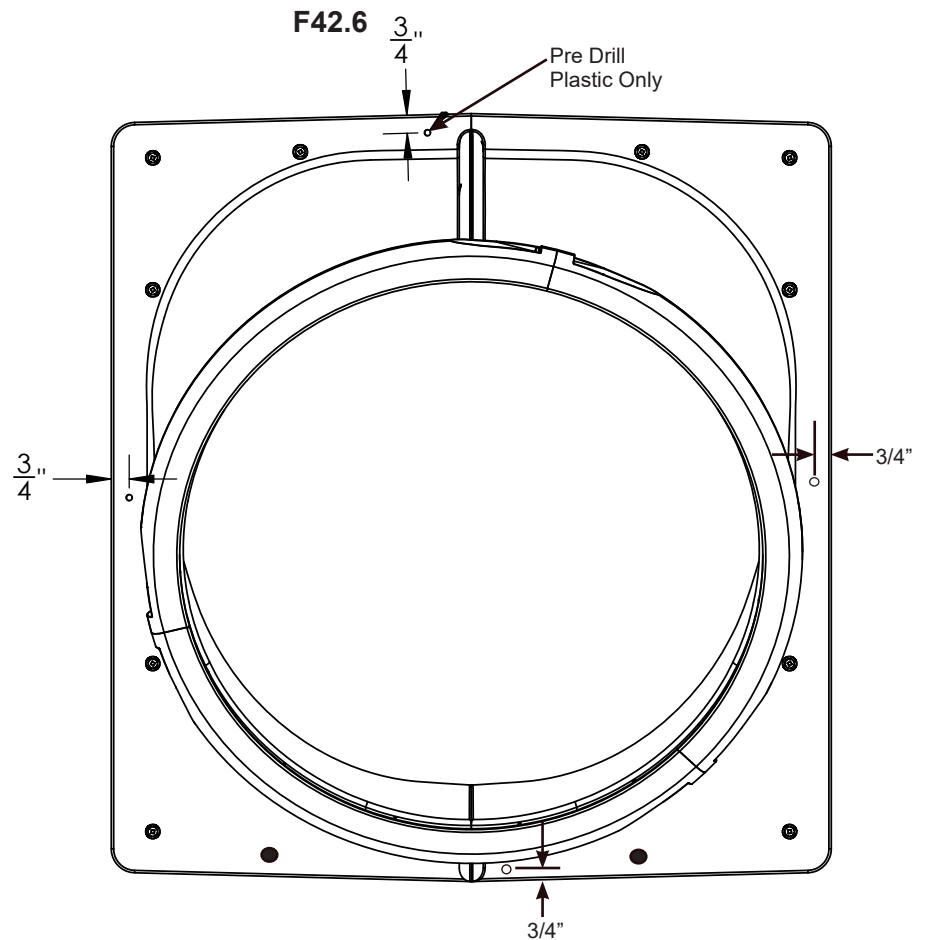
**C:** Pre-drill a hole through the plastic only. Example shown at top, bottom and on sides below. (F42.5 and F42.6)

**D:** Install a 1/4 x 1-1/4" Wafer Head Lag screw at the hole. (F42.5 and F42.6)

F42.5



F42.6



### Hardware

4 x 1/4 x 1-1/4" Wafer Head Lag Screws

# Step 43: Swing Accessories

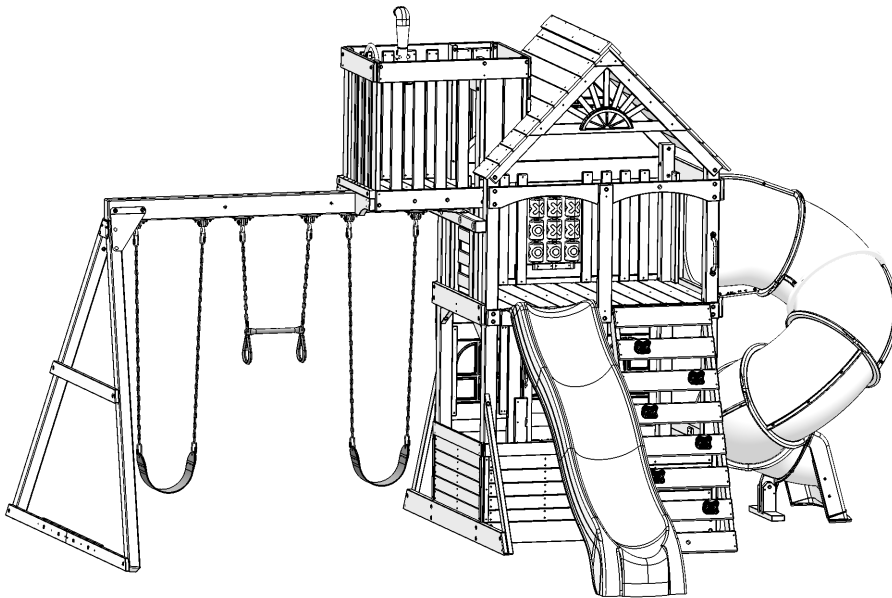


**A:** Using one Threaded Quick Link per Chain 50in, join one Chain 50in to each side of the Belt Swing. Make sure to close the Threaded Quick Link tightly using an adjustable wrench. (F43.1 and F43.2).

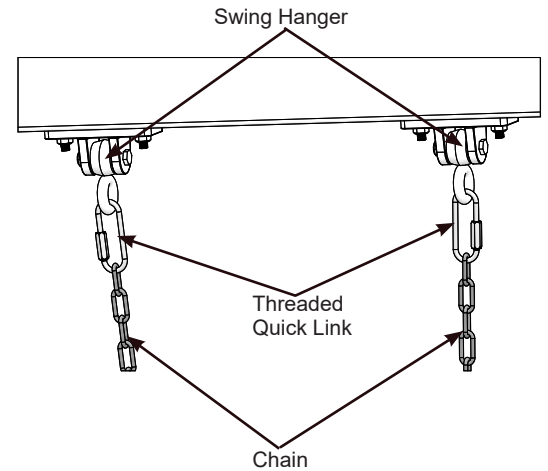
**B:** Using one Threaded Quick Link per Chain 19in, join the Chain 19in to the Acro Bar and Acro Handle. Make sure to close the Threaded Quick Link tightly using an adjustable wrench. (F43.1 and F43.3)

**C:** Attach the other end of the Chains to the Swing Hangers with Threaded Quick Links. Make sure to close the Threaded Quick Link tightly using an adjustable wrench. (F43.1 and F43.4)

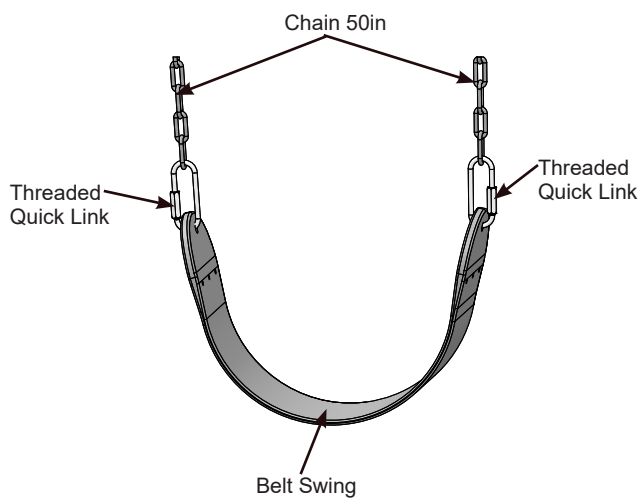
**F43.1**



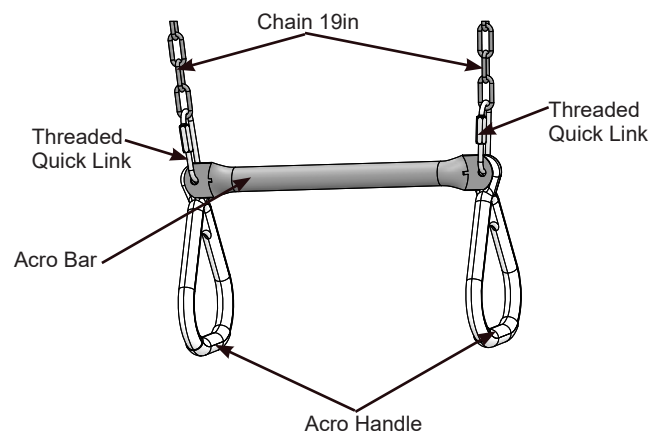
**F43.4**



**F43.2**



**F43.3**



**Components:**

- 4 x Chain 50in
- 2 x Chain 19in
- 2 x Belt Swing
- 2 x Acro Handle

- 1 x Acro Bar
- 12 x Threaded Quick Link



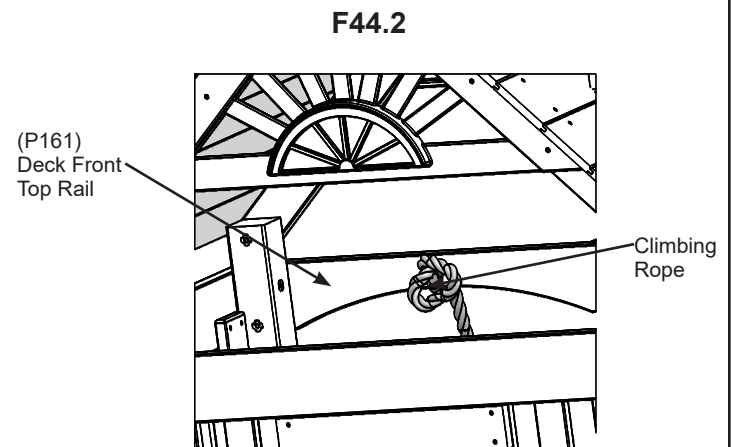
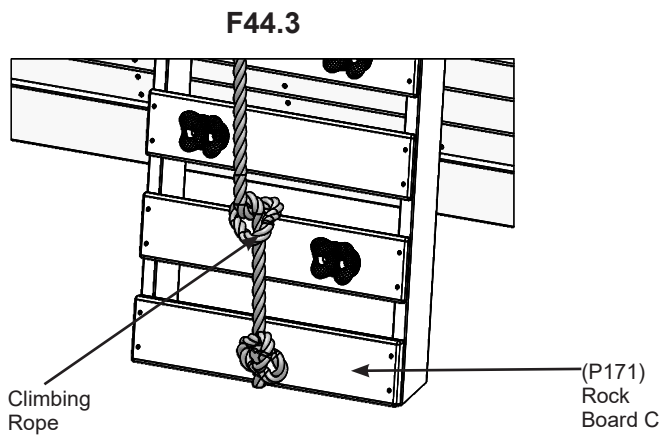
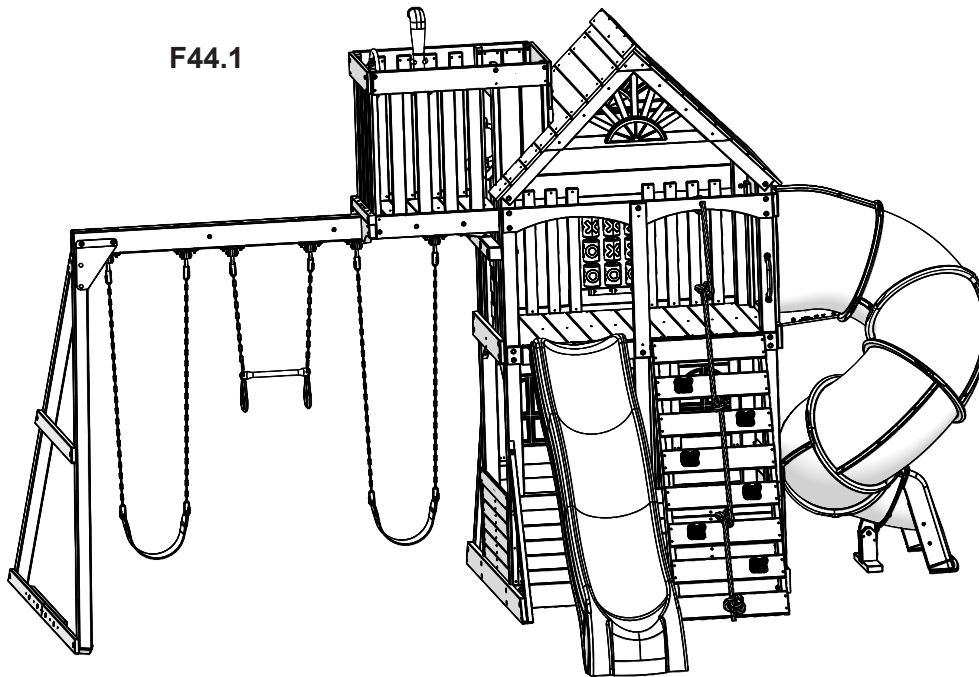
## Step 44: Climbing Rope

**A:** Feed one end of the Climbing Rope through the hole in (P161) Deck Front Top Rail and tie a knot in that end of the rope. (F44.1 and F44.2)

**B:** Tie 3 more knots in the rope making sure that they are evenly spaced from top to bottom. (F44.1)

**C:** Wrap Climbing Rope under (P171) Rock Board C then feed rope back through the hole in (P171) Rock Board C and pull tight. Tie off the rope securely with a single knot tight to the front of (P171) Rock Board C. (F44.1 and F44.3)

**IMPORTANT: MAKE SURE THE ROPE IS TIGHT .**



### Components:

1 x Climbing Rope

# Step 45: Plaques Part 1

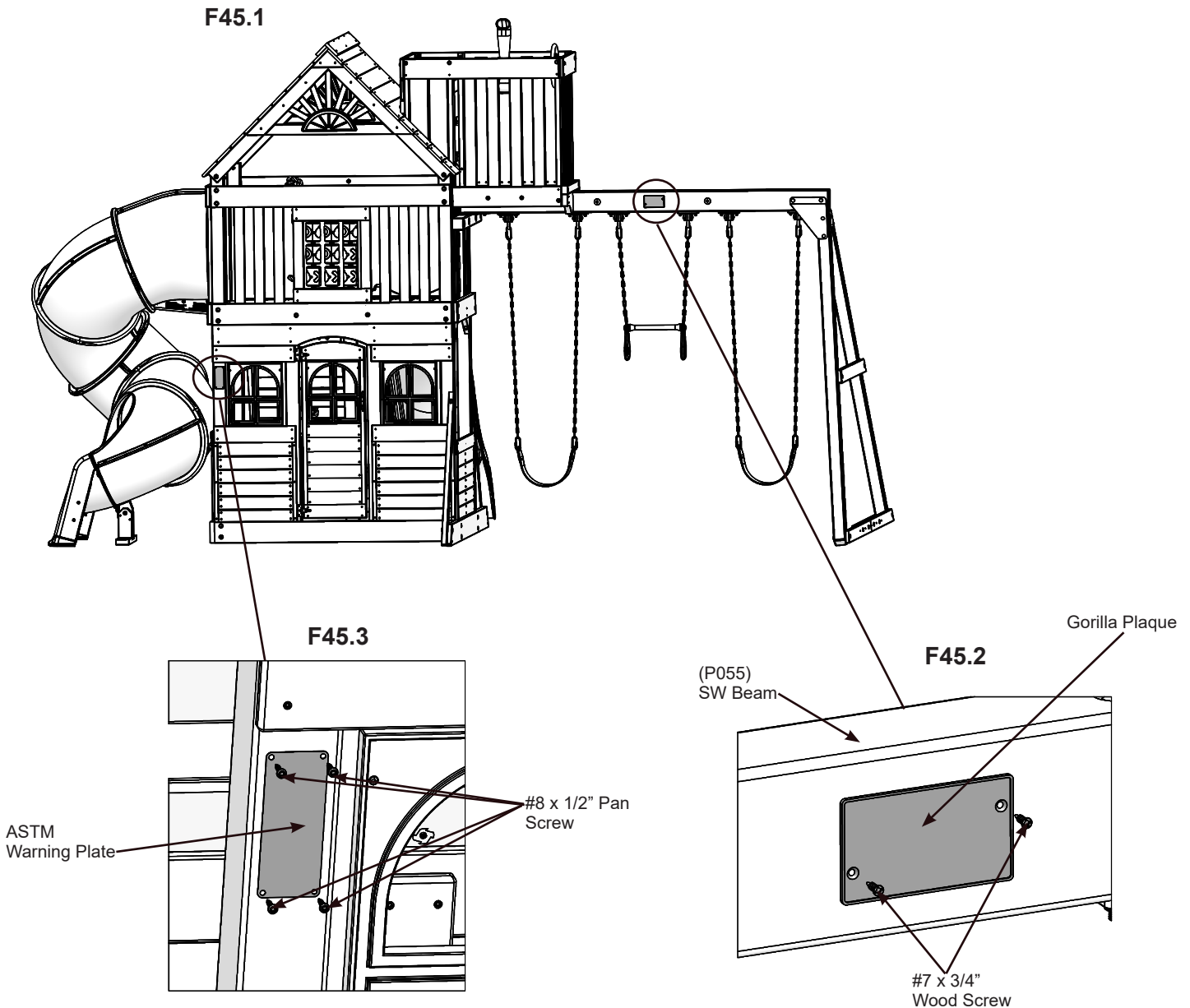


**A:** Center Gorilla Plaque on (P055) SW Beam and attach using two #7 x 3/4" Wood Screws (F45.1 and F45.2)

**B:** Attach ASTM Warning Plate of preferred language to a location that is easily seen and visible to supervising adult using four #8 x 1/2" Pan Screws. (F45.1 and F45.3)

## ATTACH THESE PLAQUES TO THIS LOCATION ON YOUR PLAYSET.

This provides warnings concerning safety and important contact information.



### Components:

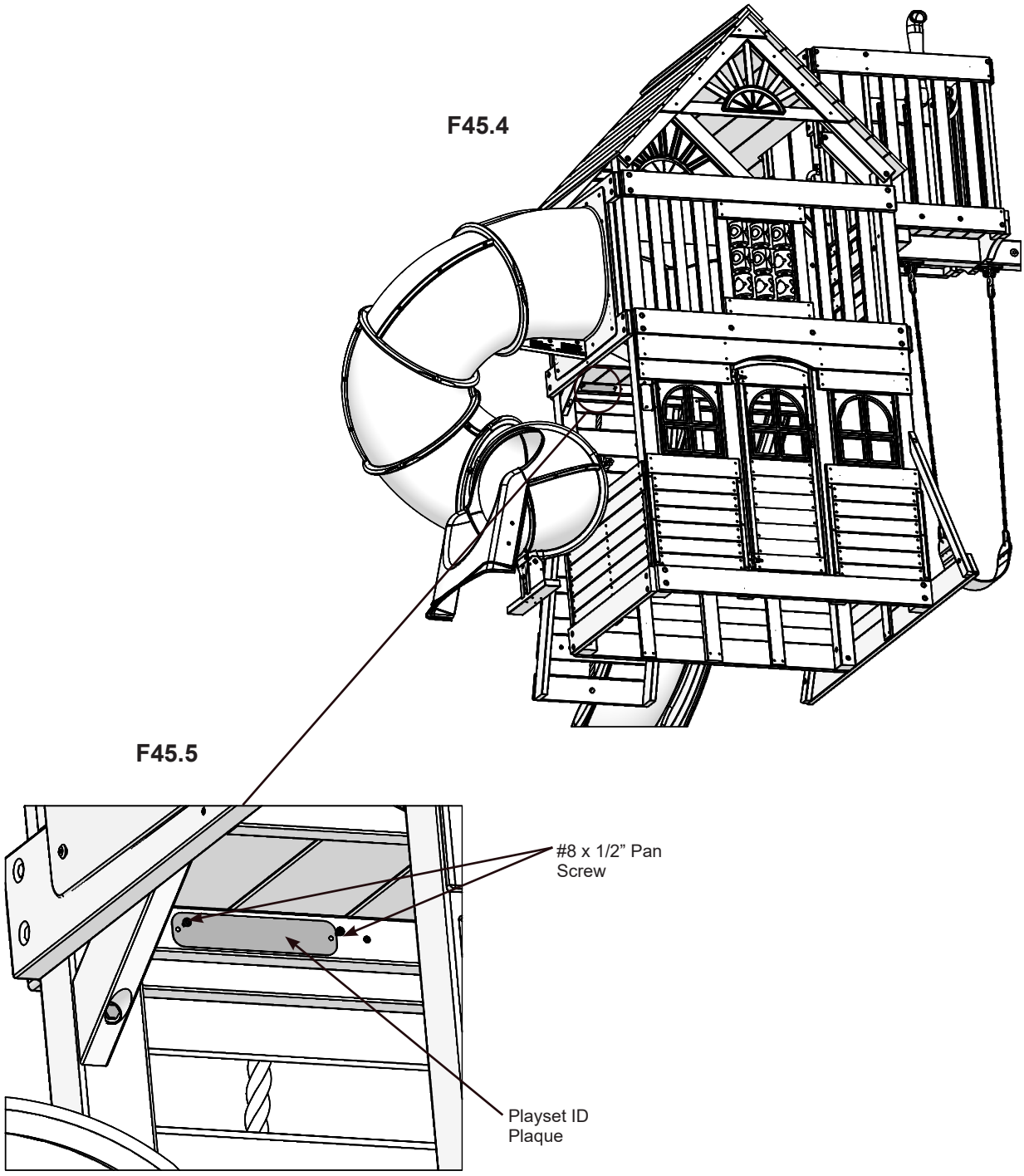
- 1 x Gorilla Plaque
- 1 x ASTM Warning Plate

### Hardware

- 2 x #7 x 3/4" Wood Screw
- 4 x #8 x 1/2" Pan Screw

# Step 45: Plaques Part 2

**C:** Attach Playset ID Plaque to a prominent location on your Playset with two #8 x 1/2" Pan Screws. This provides important contact information. A tracking number is provided to allow you to get critical information or order replacement parts for this specific model. (F45.4 and F45.5)



**Components:**

1 x Playset ID Plaque

**Hardware**

2 x #8 x 1/2" Pan Screw







Gorilla Playsets  
166 Etowah Industrial Court  
Canton, GA. 30114

---

Distributed by:  
Costco Wholesale Corporation  
P.O. Box 34535  
Seattle, WA 98124-1535  
USA  
1-800-774-2678  
[www.costco.com](http://www.costco.com)

Costco Wholesale Canada Ltd.\*  
415 W. Hunt Club Road  
Ottawa, Ontario  
K2E 1C5, Canada  
1-800-463-3783  
[www.costco.ca](http://www.costco.ca)  
\* faisant affaire au Québec sous  
le nom les Entrepôts Costco

Importado por:  
Importadora Primex S.A. de C.V.  
Blvd. Magnocentro No. 4  
San Fernando La Herradura  
Huixquilucan, Estado de México  
C.P. 52765  
RFC: IPR-930907-S70  
(55)-5246-5500  
[www.costco.com.mx](http://www.costco.com.mx)

Costco Wholesale Australia Pty Ltd  
17-21 Parramatta Road  
Lidcombe NSW 2141  
Australia  
[www.costco.com.au](http://www.costco.com.au)

Costco Wholesale UK Ltd /  
Costco Online UK Ltd  
Hartspring Lane  
Watford, Herts  
WD25 8JS  
United Kingdom  
01923 213113  
[www.costco.co.uk](http://www.costco.co.uk)

Costco Wholesale Spain S.L.U.  
Polígono Empresarial Los Gavilanes  
C/ Agustín de Betancourt, 17  
28906 Getafe (Madrid) España  
NIF: B86509460  
900 111 155  
[www.costco.es](http://www.costco.es)

Costco Wholesale Iceland ehf.  
Kauptún 3-7, 210 Gardabaer  
Iceland  
[www.costco.is](http://www.costco.is)

Costco France  
1 avenue de Bréhat  
91140 Villebon-sur-Yvette  
France  
01 80 45 01 10  
[www.costco.fr](http://www.costco.fr)

Costco Wholesale Japan Ltd.  
2 Kakuchi, 2 Gaiku, Kaneda-Nishi  
361 Urikura, Kisarazu shi  
Chiba, 292-0007 Japan  
0570-200-800  
[www.costco.co.jp](http://www.costco.co.jp)

Costco Wholesale Korea, Ltd.  
40, Iljik-ro  
Gwangmyeong-si  
Gyeonggi-do, 14347, Korea  
1899-9900  
[www.costco.co.kr](http://www.costco.co.kr)

Costco Wholesale New Zealand Limited  
2 Gunton Drive  
Westgate  
Auckland 0814  
New Zealand  
[www.costco.co.nz](http://www.costco.co.nz)

Costco (China) Investment Co., Ltd.  
No. 5178, KangXin Road,  
Pudong New Area, Shanghai  
China 201315  
+86-21-6257-7065

Costco Wholesale Sweden AB  
Box 614  
114 11 Stockholm  
Sweden  
[www.costco.se](http://www.costco.se)