

NETSPAN™ BDE SERIES

Fiber Optic Conversion Kit



KEY FEATURES

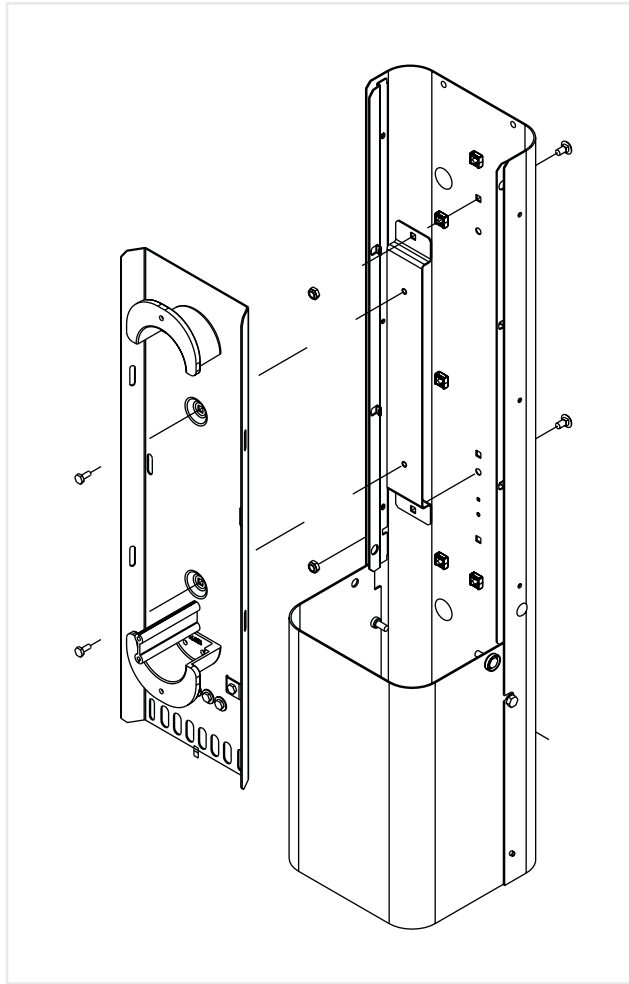
- Kit converts standard inventory.
- Radius limiting fiber storage.
- Holds up to six splice trays.
- Accommodates for splice tray sizes up to 5.5" wide x 12.50" tall.
- Store over 10' stack (144-fiber loose tube).
- Fits UPCBD4 or UPCBD5 pedestals.

Description

The NetSpan™ BDE Series fits any standard UPCBD4 or UPCBD5 pedestal and configures it as a fiber distribution pedestal. The Fiber Optic Conversion Kit the capability to mount up to six fiber splice trays and fiber slack.

The Fiber Optic Conversion Kit easily attaches via knockouts on the rear of the UPCBD4 or UPCBD5 pedestal. The Fiber Optic Conversion Kit minimizes the need to stock multiple pedestals as the same pedestal may be used for fiber or copper distribution. The Fiber Optic Conversion Kit may also be used to retrofit existing pedestals in the field for fiber deployment.





UPCBD Bracket for Fiber Deployment

Ordering Information

CATALOG NUMBER	PART NUMBER	DESCRIPTION
Fiber Optic Conversion Kit	F1007373	Upgrade bracket for BD4 & 5 fiber deployment

VertivCo.com | Vertiv Headquarters, 1050 Dearborn Drive, Columbus, OH, 43085, USA

© 2017 Vertiv Co. All rights reserved. Vertiv and the Vertiv logo are trademarks or registered trademarks of Vertiv Co. All other names and logos referred to are trade names, trademarks or registered trademarks of their respective owners. While every precaution has been taken to ensure accuracy and completeness herein, Vertiv Co. assumes no responsibility, and disclaims all liability, for damages resulting from use of this information or for any errors or omissions. Specifications are subject to change without notice.