

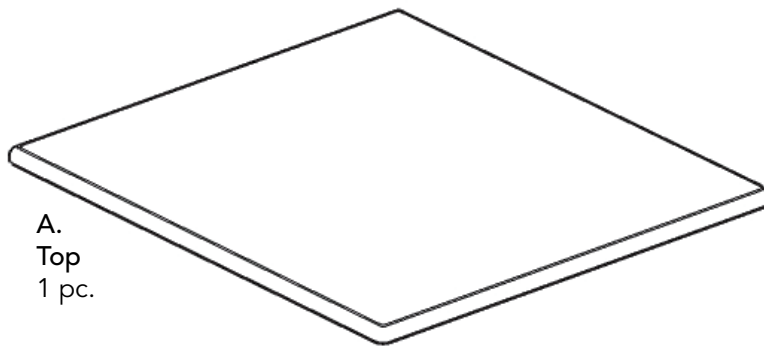
IMPORTANT

Carefully remove all the parts from the carton and place them individually on a soft cloth to prevent scratches or other damage.

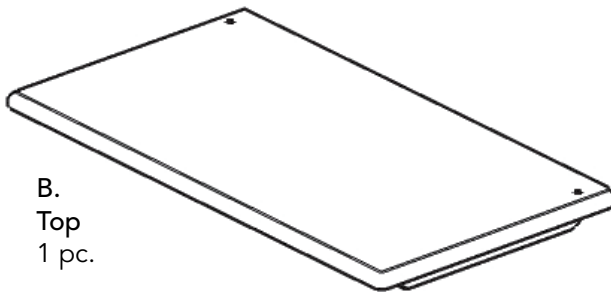
Carefully and strictly follow these assembly instructions to ensure a completed product as designed.

Do not use power tools above 8 volts to assemble.

Part List

















A.
Top
1 pc.



B.
Top
1 pc.

Hardware List

- | | | | | | | |
|--|---|--|---|---|---|---|
| 
Small Hex Wrench
1 pc. | 
Cam Lock Screw
36 pcs. (+1 extra) | 
M6x30
Head Cap Bolt
10 pcs. (+1 extra) | 
M3.5x30
Wood Screw
for Plinth
2 pcs. (+1 extra) | 
Magnet
2 pcs. | 
M3x13
Wood Screw
for Magnet
8 pcs. (+1 extra) | 
M4x25
Machine Screw
8 pcs. |
| 
Hex Wrench
1 pc. | 
Cam Lock
36 pcs. (+4 extra) | 
M6x25
Head Cap Bolt (short)
4 pcs. (+1 extra) | 
M3.5x25
Wood Screw (long)
16 pcs. (+1 extra) | 
M3.5x13
Wood Screw (short)
8 pcs. (+1 extra) | 
Adjustable Pin
20 pcs. (+1 extra) | 
Handle
4 pcs. |

For assembly see instructions in carton 5010-942.