



MODEL NO.

**B2222W**

**B2222F**

**GB54iG**

**BASKETBALL SYSTEM**

## OWNER'S MANUAL

1. **Read this manual carefully before starting assembly.** Read each step completely before beginning each step.
2. **Some smaller parts may be shipped inside larger parts. Check inside all parts and cartons before assembling or ordering parts.**
3. **To make assembly of your basketball system easier, use the Hardware Identifier on page 3 to identify and sort all fasteners. Check all cartons for kits. All hardware is not located in one kit.**
4. **Do not tighten hardware until instructed to do so.** If hardware is tightened too soon, mounting holes may not align and parts may not easily fit together. Leave locknuts slightly loose until you are instructed to tighten them.
5. An electric screwdriver is helpful in assembly. However, please **set at low torque and use caution** because you could overtighten the hardware and strip the screws.
6. **Save this instruction and your proof of purchase (receipt) in the event that the manufacturer has to be contacted for replacement parts.**

### Please Do Not Return This Product To The Store!

Contact Escalade® Sports customer service department at:

Phone: 1-888-USA-GOAL Toll – Free!

Fax: 1-866-873-3536 Toll – Free!

E-mail: [basketball@escaladesports.com](mailto:basketball@escaladesports.com)

Mailing Address (correspondence only):

Escalade Sports

PO Box 889

Evansville, IN 47706

#### ITEMS NEEDED (not included)

- 9- 50 lbs bags of concrete
- 1- Post hole digger (optional)
- 1- Wheel barrow
- 1- Garden hose
- 1- Level
- 1- Tape Measure
- 6- 2X4's
- 2- 50 lbs sand bags
- 1- Standard masonry block
- 1- 9/16", 3/4" & adjustable wrench
- 1- Cordless drill & 9/64" drill bit
- 1- 5/16" socket driver (for cordless drill)
- 1- Pair of Safety Glasses
- 1- Phillips Screwdriver
- 1- Ladder

Please visit our World Wide Web site at: [www.escaladesports.com](http://www.escaladesports.com)

ON-LINE TROUBLE SHOOTING

TECHNICAL ASSISTANCE

ON-LINE PARTS REQUESTS

FREQUENTLY ASKED QUESTIONS

ADDITIONAL ESCALADE® SPORTS PRODUCT INFORMATION

# ESCALADE®

## S P O R T S

2L-7184-02



# SAFETY INSTRUCTIONS



**FAILURE TO FOLLOW THESE WARNINGS MAY RESULT IN SERIOUS INJURY AND/OR PROPERTY DAMAGE.**

**Owner must ensure that all players know and follow these rules for safe operation of the system.**



## WARNING

**FAILURE TO FOLLOW THESE WARNINGS MAY RESULT IN SERIOUS INJURY AND/OR PROPERTY DAMAGE.**

**Owner must ensure that all players know and follow these rules for safe operation of the system.**

- Do not dunk on this unit
- Do not hang from any part of the unit, including the backboard, rim, support braces, or net.
- Do not slide, climb, or play on pole.
- Keep organic material away from pole base. Grass, litter, etc. could cause corrosion and/or deterioration.
- Check pole system for signs of corrosion (rust, pitting, chipping). Remove rust and/or loose paint completely and repaint with exterior enamel paint. If rust has penetrated through the steel anywhere, replace pole immediately.
- Check system before each use for proper ballast, loose hardware, excessive wear, and signs of corrosion and repair before using.
- During play, use extreme caution to keep players face away from the backboard, rim, and net. Serious injury could occur if teeth/face come in contact with backboard, rim, or net.
- Wear a mouth guard when playing to avoid dental injuries.
- When adjusting height, keep hands and fingers away from moving parts.
- During play, do not wear jewelry (rings, watches, necklaces, etc.). Objects may entangle in net.
- Do not allow children to adjust system.
- Check system before each use for instability.
- Never play on damaged equipment.

4L-7609-00



## SAFETY INSTRUCTIONS



**FAILURE TO FOLLOW THESE SAFETY INSTRUCTIONS MAY RESULT IN SERIOUS INJURY, PROPERTY DAMAGE AND WILL VOID WARRANTY.**

**Owner must ensure that all players know and follow these rules for safe operation of the system.**

**To ensure safety, do not attempt to assemble this system without following the instructions carefully. Proper and complete assembly, use and supervision is essential for proper operation and to reduce the risk of accident or injury. A high probability of serious injury exists if this system is not installed, maintained, and operated properly.**

- If using a ladder during assembly, use extreme caution.
- 4 people are recommended for this operation.
- Seat the pole sections properly (if applicable). Failure to do so could allow the pole sections to separate during play.
- Before digging contact utility company to locate underground power cables, gas and water lines. Ensure there are no overhead power lines within 20 ft. (7m) radius of pole location.
- Climate, corrosion or misuse could result in system failure.
- If technical assistance is required, contact the manufacturer.
- Minimum operational height is 6'6" (1.98m) to the bottom of backboard.

*Most injuries are caused by misuse and/or not following instructions.  
Use caution when using this system.*

## WARNING!

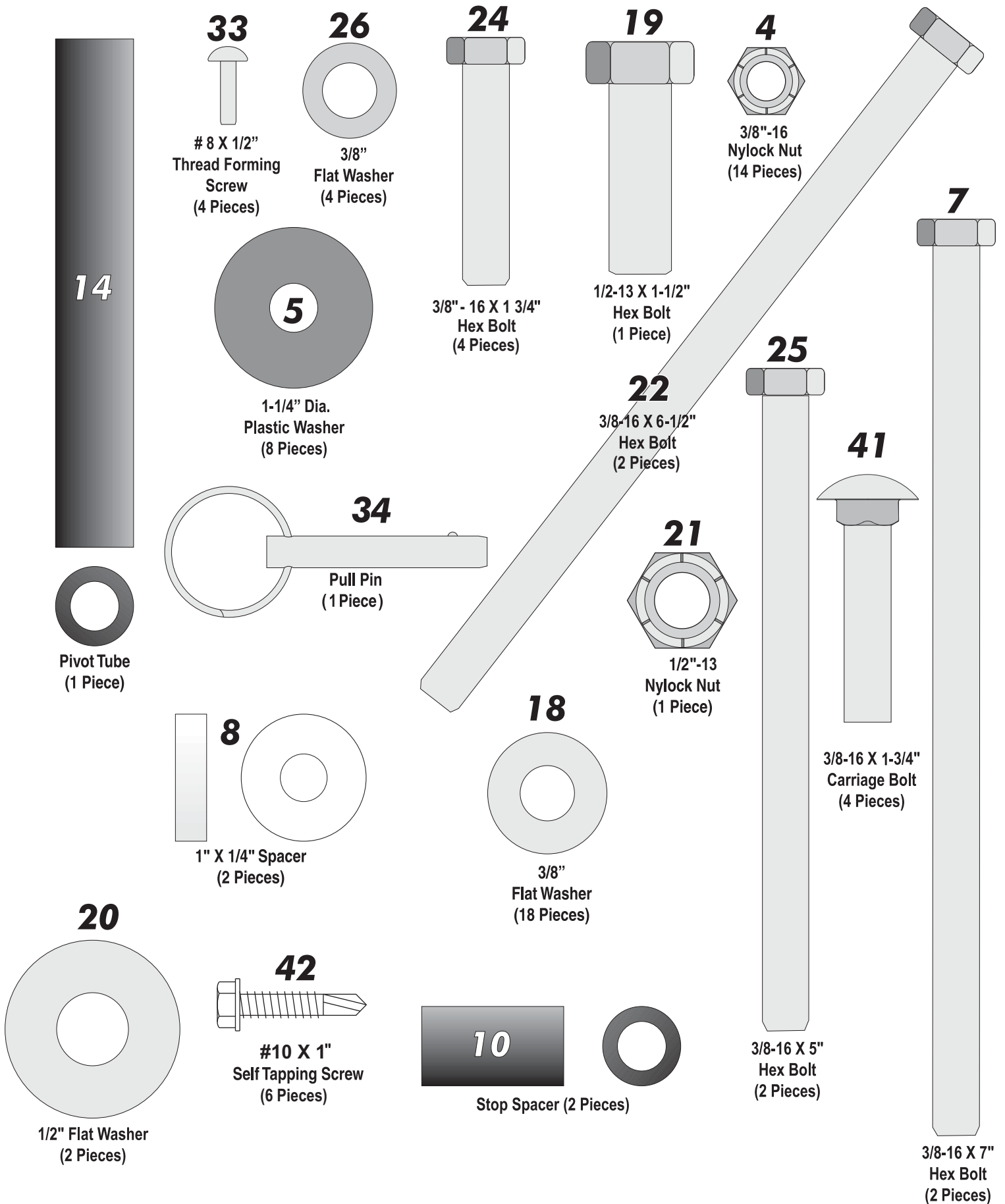
**Failure to observe this warning may cause property damage and/or serious injury.**

(Affixed to backboard)

This product is NOT designed to support a player hanging from any component of this basketball system. Rim height adjustments should be made under parental supervision. Wear a mouth guard when playing to avoid dental injuries. During play, do not wear jewelry (rings, watches, necklaces, etc). Objects may entangle in net.

# BASKETBALL SYSTEM'S HARDWARE IDENTIFIER

Note: Check all cartons for hardware. All hardware is not packed in one kit.



# INSTALLATION TIMELINE

1. Prior to pole installation and goal assembly, call utility services for location of underground utility lines before you dig.
2. Vertical main post assembly is a two part process.

## PART 1

- Day 1.** Post assembly, pour concrete, set post and Allow concrete to cure.
- Day 2.** Allow concrete to cure.

## PART 2

- Day 3.** Complete Goaliath® assembly instructions. (Requires 3-4 adults)

## POST INSTALLATION INSTRUCTIONS (Day 1)

### ⚡ WARNING ⚡

Before digging hole for your system, check for buried power, gas, water, and telecommunication lines! Failure to do so could result in serious or fatal injury! Contact your local utility company if unsure.

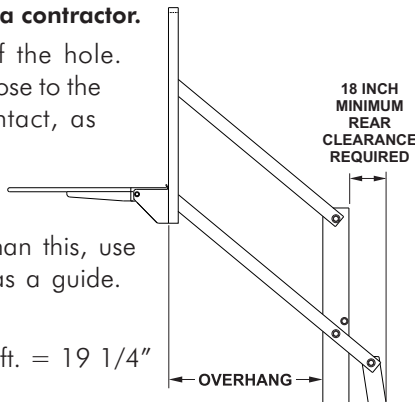
#### ITEMS NEEDED (not included)

- 9- 50 lbs bags of concrete
- 1- Post hole digger (optional)
- 1- Wheel barrow
- 1- Garden hose
- 1- Level
- 1- Tape Measure
- 6- 2X4's
- 2- 50 lbs sand bags
- 1- Standard masonry block
- 1- 9/16", 3/4" & adjustable wrench
- 1- Cordless drill & 9/64" drill bit
- 1- 5/16" socket driver (for cordless drill)
- 1- Pair of Safety Glasses
- 1- Phillips Screwdriver
- 1- Ladder

**Note:** For best results with less vibration, your system should be independent of court. If pouring concrete for both at same time, add an expansion joint in between.

**Note:** When digging hole, if you hit rock and cannot dig through contact a contractor.

1. Determine the location of the hole. The proper location is as close to the court without making contact, as shown in **Figure 1**. This, however, is a general rule. If you need to locate the hole in a location other than this, use the following dimensions as a guide.

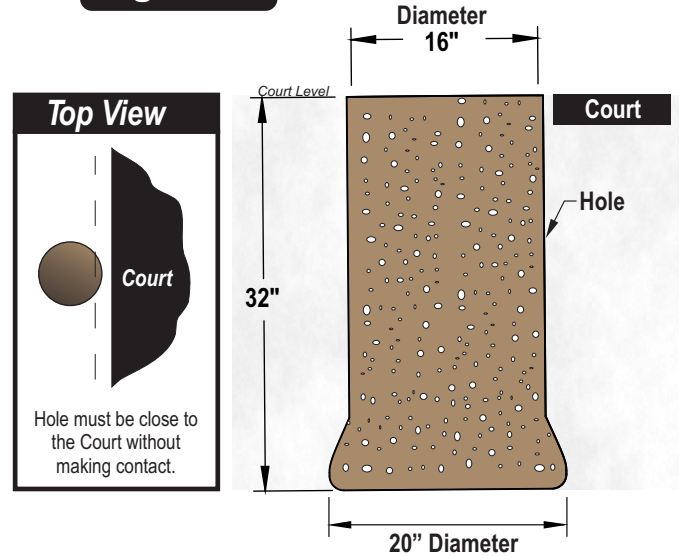


Overhang when adjusted to 10 ft. = 19 1/4"

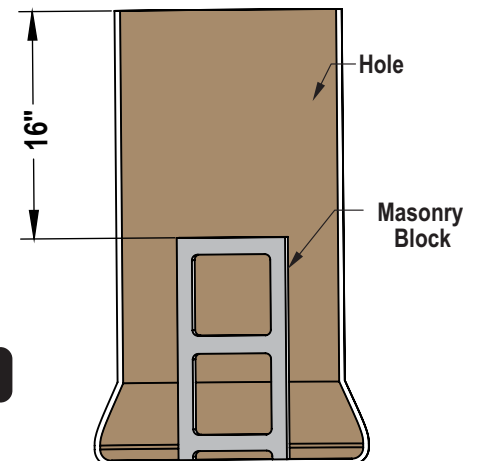
**Note:** Minimum of 18" rear clearance is required behind pole.

2. Dig a round hole 32" deep and 16" in diameter at the top and 20" in diameter at the bottom of the hole. If you live in an area where frost heaves may pose a problem, consult your local building inspector to determine the proper hole depth. See **Figure 1**.

**Figure 1**



3. Place and center a masonry block in the bottom of the hole so there is exactly 16" from the playing surface to the top of the masonry block. See **Figure 2**.



**Figure 2**

# POST ASSEMBLY INSTRUCTIONS

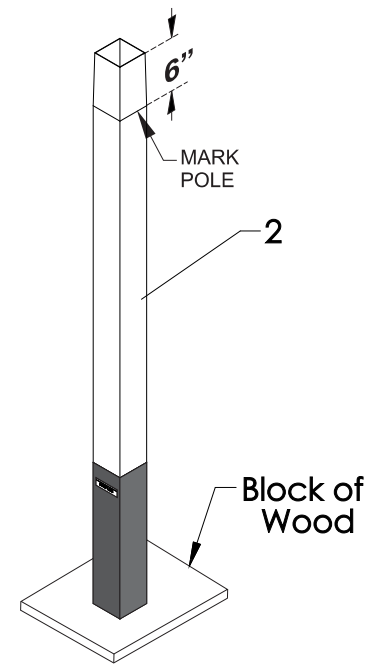
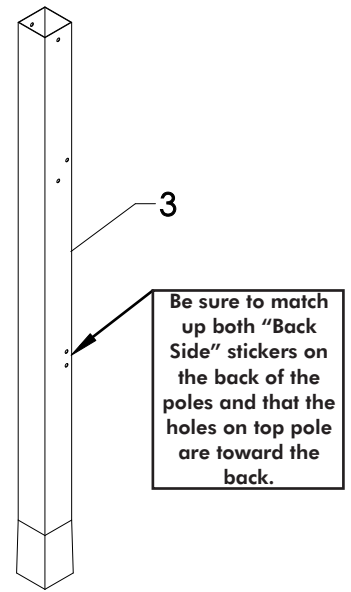
**! IMPORTANT !**  
**THE FOLLOWING STEPS WILL REQUIRE AT LEAST THREE CAPABLE ADULTS.**

- Before putting any of the poles tubes together, mark bottom pole (#2) 6 inches from the top end. **Be sure to match up both "Back Side" stickers on the back of the poles and that the holes on top pole are toward the back.** See **Figure 3**.
- Align the upper pole (#3) with the bottom pole (#2) as shown in **Figure 3** and slide them together. Stand poles up on a piece of MDF or plywood, **lift poles up by bottom pole** below the 6" mark you made and slam down the bottom pole as many times as needed on a piece of MDF or plywood **until the bottom of the upper pole reaches the 6" mark** on the bottom pole. This is a friction-locking joint and requires no hardware.

**IMPORTANT! DO NOT** hit poles with hammer or sledge hammer to attach poles together.

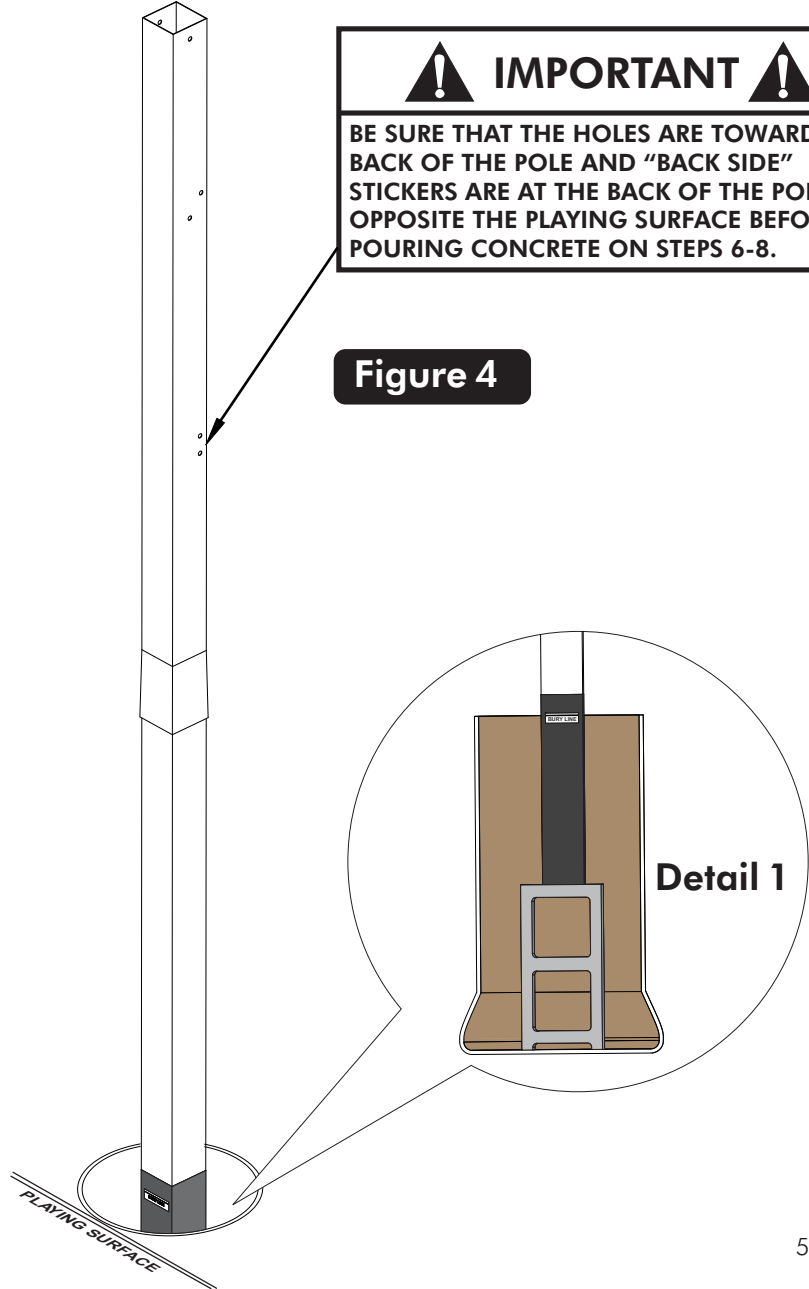
If you want to see a video on how to put the poles together go to: <http://www.escaladesports.com/customer-service/instruction-videos/basketball>

**Figure 3**



**! IMPORTANT !**  
**BE SURE THAT THE HOLES ARE TOWARD THE BACK OF THE POLE AND "BACK SIDE" STICKERS ARE AT THE BACK OF THE POLES/ OPPOSITE THE PLAYING SURFACE BEFORE POURING CONCRETE ON STEPS 6-8.**

**Figure 4**



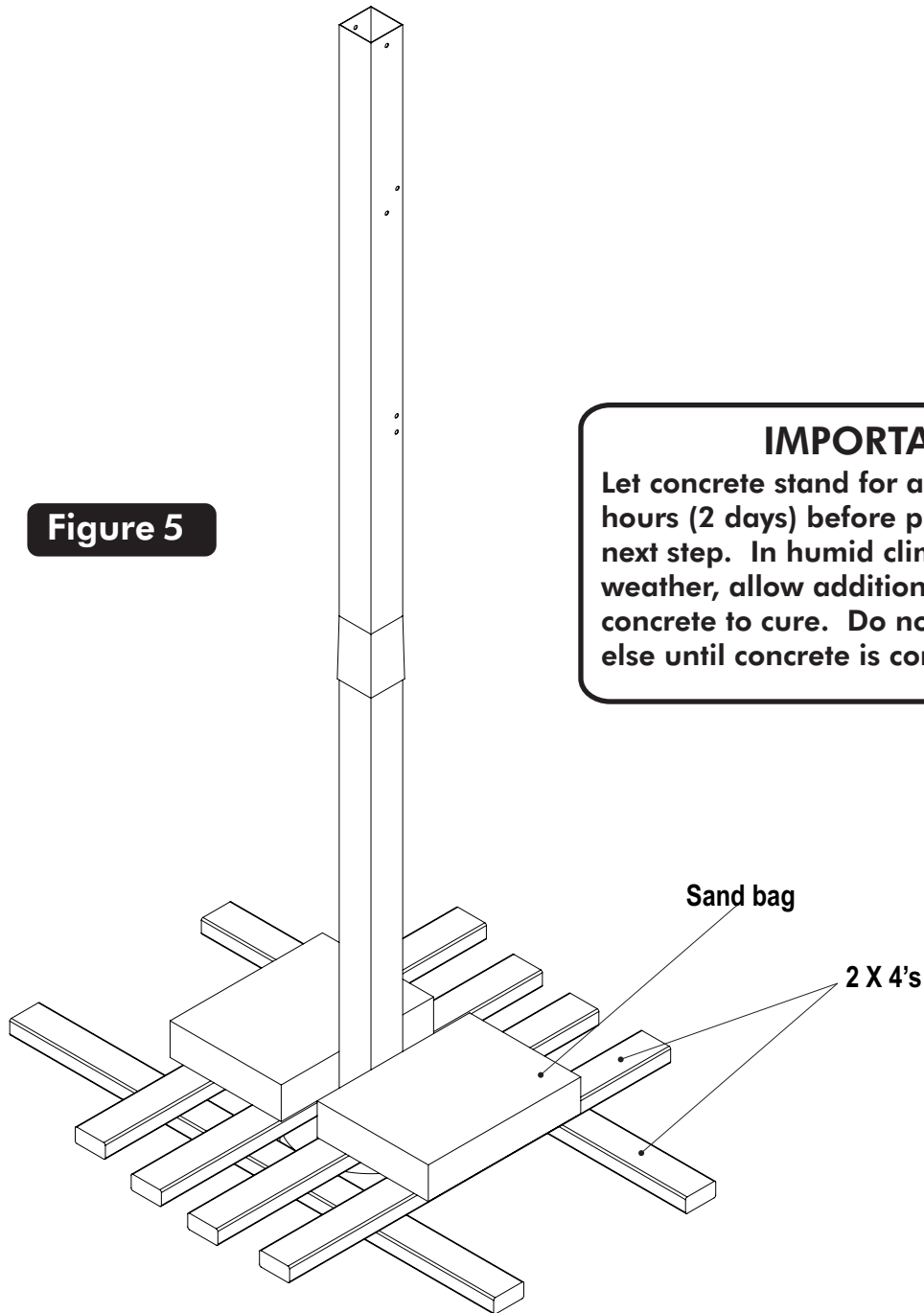
- Mix bags of concrete and pour into the hole. Follow instructions on concrete bag. Stop about 16" from court level so you can still see the top of the Masonry block you placed earlier. See **Figure 4**.
- Set the bottom of the pole on the masonry block in the hole. Make sure the Pole stays on the block as shown in **Figure 4**. The Bury line should be level with the playing surface see **Detail 1**.
- While one person holds the pole in place have two other people finish pouring concrete up to court level. Use a level to make sure Pole is vertical.

**Note: Periodically check pole with level to ensure that pole is vertical.**

9. Stabilize the pole by using six 2X4's and placing two 50 lbs. bags of sand on top to keep pole from shifting, periodically check the pole with level to ensure that pole is vertical.

See **Figure 5**.

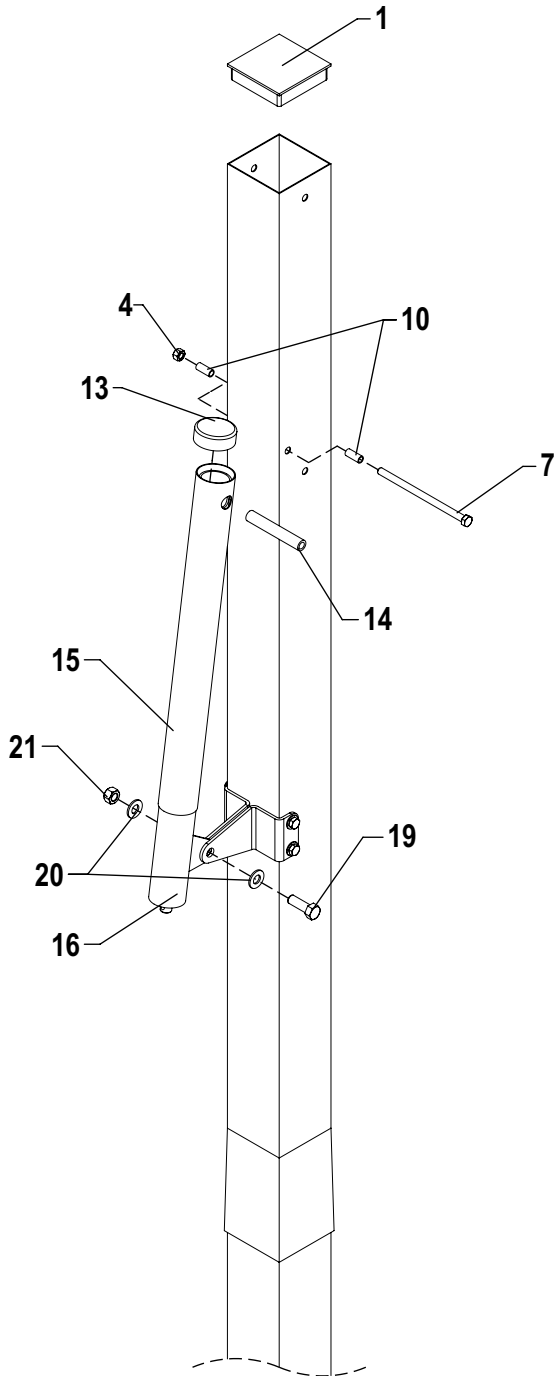
10. Let concrete Stand for a **MINIMUM** of 48 hours (2 days).



# GOALIATH ASSEMBLY INSTRUCTIONS (Day 3)

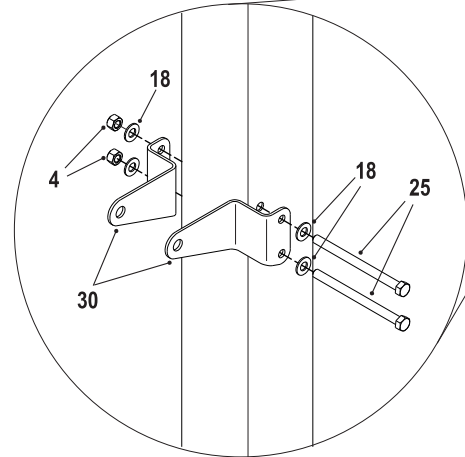
**IMPORTANT! BE SURE CONCRETE HAS BEEN ALLOWED TO CURE FOR AT LEAST 2 DAYS.**

11. Attach Post Ears (#30) to holes near the bottom of Top Post (#3) using two hex bolts (#25) four washers (#18) and two lock nuts (#4). See **Figure 6** & **Detail 2**.

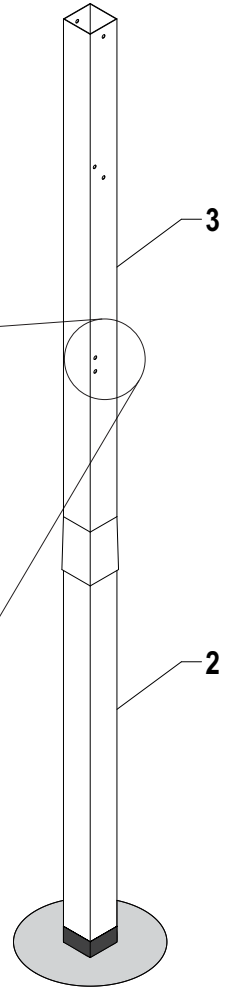


**Figure 7**

**Figure 6**



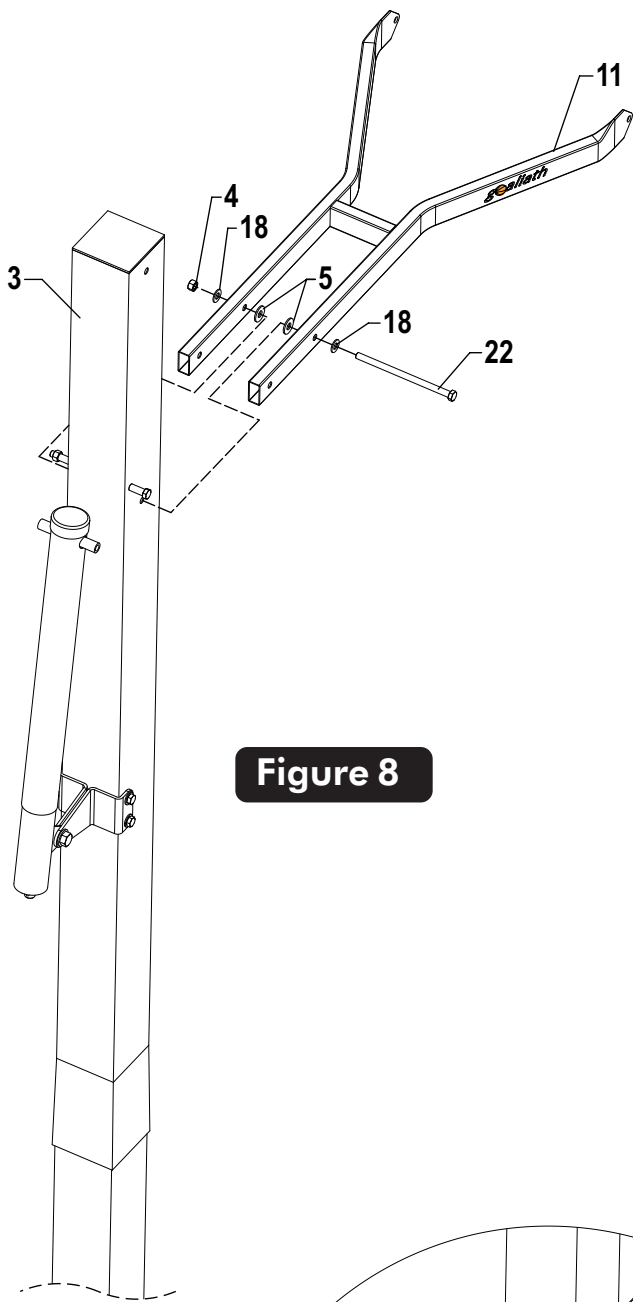
**Detail 2**



12. Slide Plastic Actuator Sleeve (#15) over Steel Actuator (#16) and place Actuator Cap (#13) on top. Slide Pivot Tube (#14) through hole near top of **Actuator & Actuator Sleeve** until equal amounts stick out on through both sides of Actuator. See **Figure 7**.

**Note: If necessary, use a rubber mallet to tap in Pivot Tube (#14)**

13. Slide tab on Actuator (#16) between Post Ears (#30) and Secure using one bolt (#19), two washers (#20) and one lock nut(#21). See **Figure 7**. Tighten bolts tight.
14. Place Pole Cap (#1) onto top of Top Pole (#3). **Note:** Pole Cap may be pre-installed by the factory.
15. Secure two stop spacers (#10) to pole, as shown in **Figure 7**, using one hex bolt (#7) and one lock nut (#4).



**Figure 8**

**IMPORTANT!** Nylon washers (#5) adequately space painted parts at all pivot points. Neglecting the use of these washers will result in rusted parts.

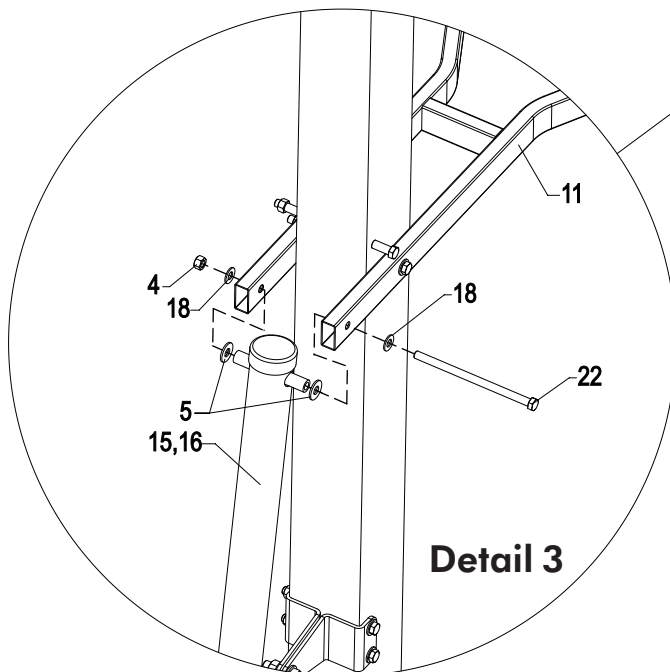
**NOTE:** All board arms are made of rectangular tubing. Tightening hardware too tight may damage tubing and make adjustment of system difficult.

- 16. Attach lower arms (#11) to Top Pole (#3), as shown in **Figure 8**, using a hex bolt (#22), two flat washers (#18), two plastic washers (#5) and lock nut (#4).

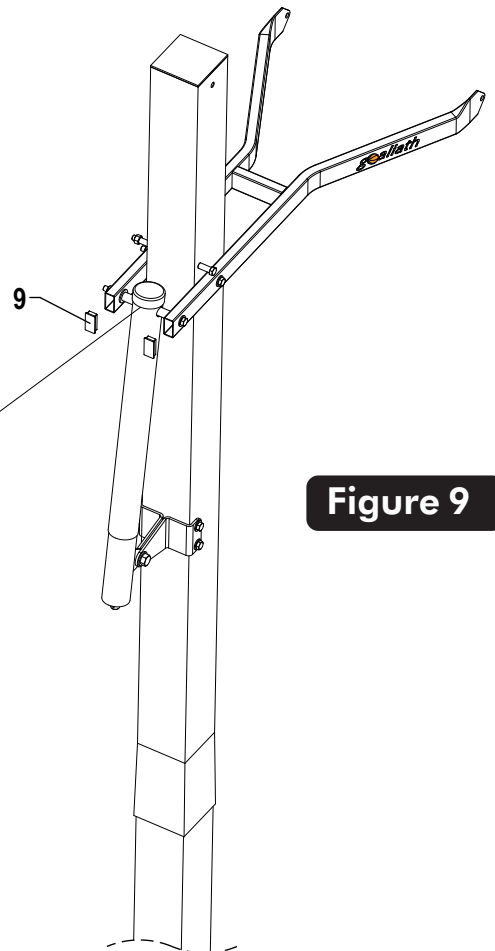
**Note:** make sure lettering is right side up. **DO NOT** tighten bolt (#22) at this time.

- 17. Secure Actuator (#16) to Lower Arms (#11) using one bolt (#22), two flat washers (#18), two plastic washers (#5) and one lock nut (#4). See **Figure 9** and **Detail 3**. Tighten both bolts (#22) snug but, **do not over tighten. Board Arms must pivot freely.**

- 18. Insert Two Tube Plugs (#9) into open ends of Lower Arms (#11). It may be necessary to use a rubber mallet to tap them in. See **Figure 9**. **Note:** Tube plugs may be pre-installed by the factory.

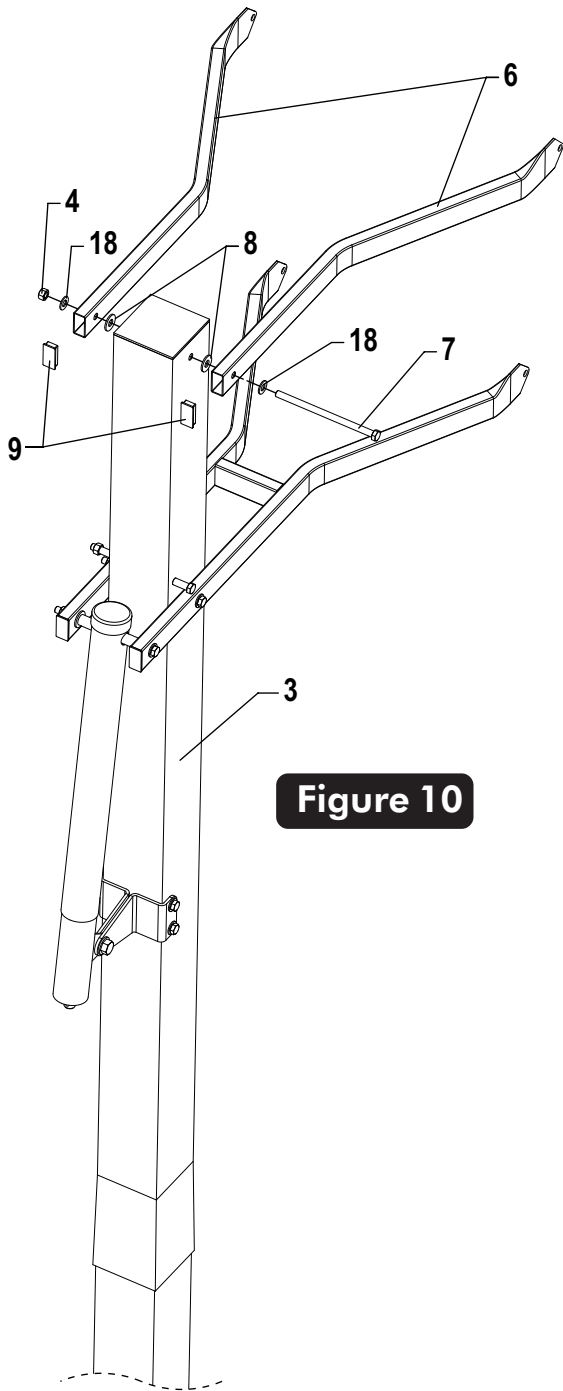


**Detail 3**



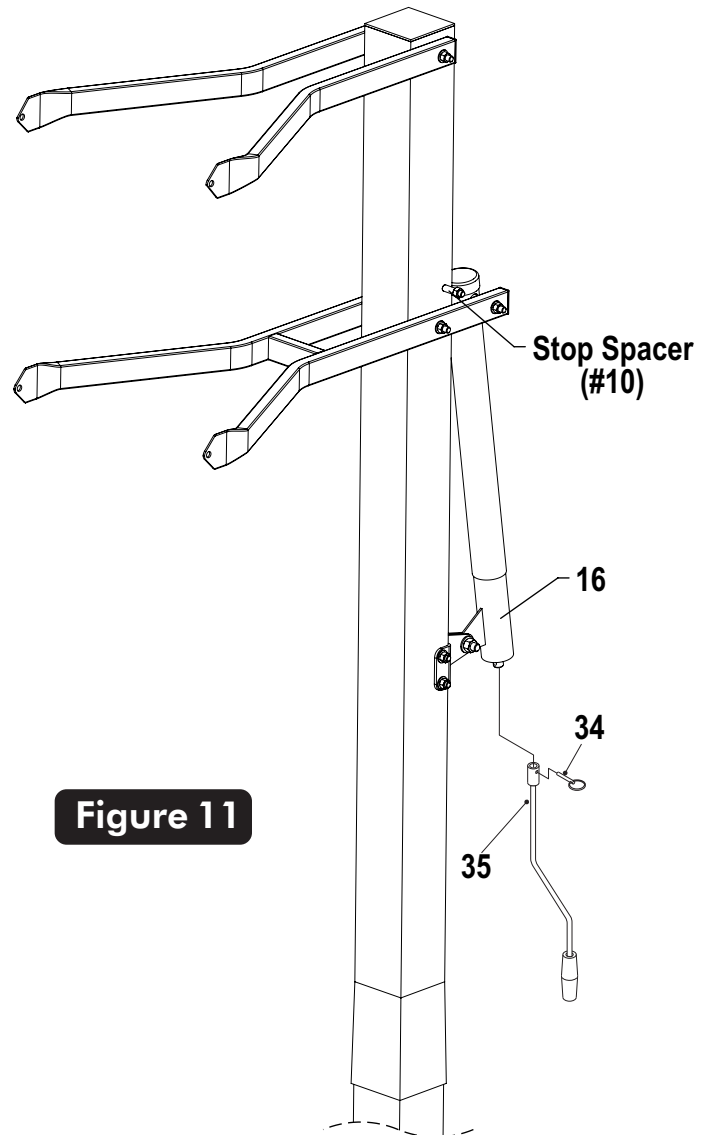
**Figure 9**





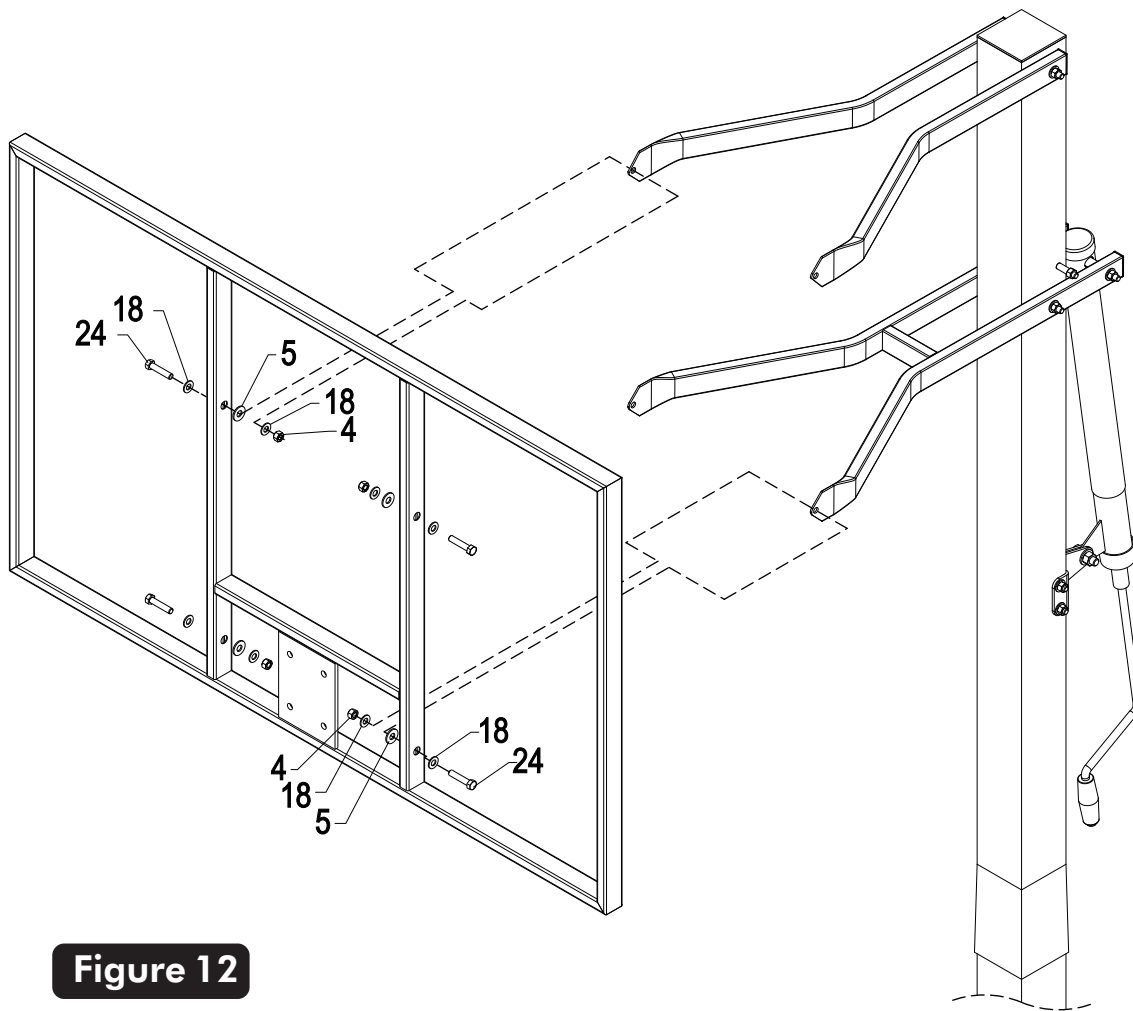
**Figure 10**

19. Attach of Upper Arms (#6) to Top Pole (#3), as shown in **Figure 10**, using a bolt (#7), two flat washers (#18), two spacers (#8) and one lock nut (#4).  
**Note: Tighten bolts snug but, do not over tighten. Board Arms must pivot freely.**
20. Insert two Tube Plugs (#9) into open ends of Upper Arms (#6). It may be necessary to use a rubber mallet to tap plug in. **Note:** Tube plugs may be pre-installed by the factory.



**Figure 11**

21. Slide Actuator Crank (#35) onto shaft on the bottom of Actuator (#16). Line up hole in shaft with hole in Actuator Crank and insert Pin (#34) to secure. See **Figure 11**.
22. To aid in the assembly of the backboard, lower the backboard, by turning the Actuator Crank, until the lower arm makes contact with Stop Spacer (#10).

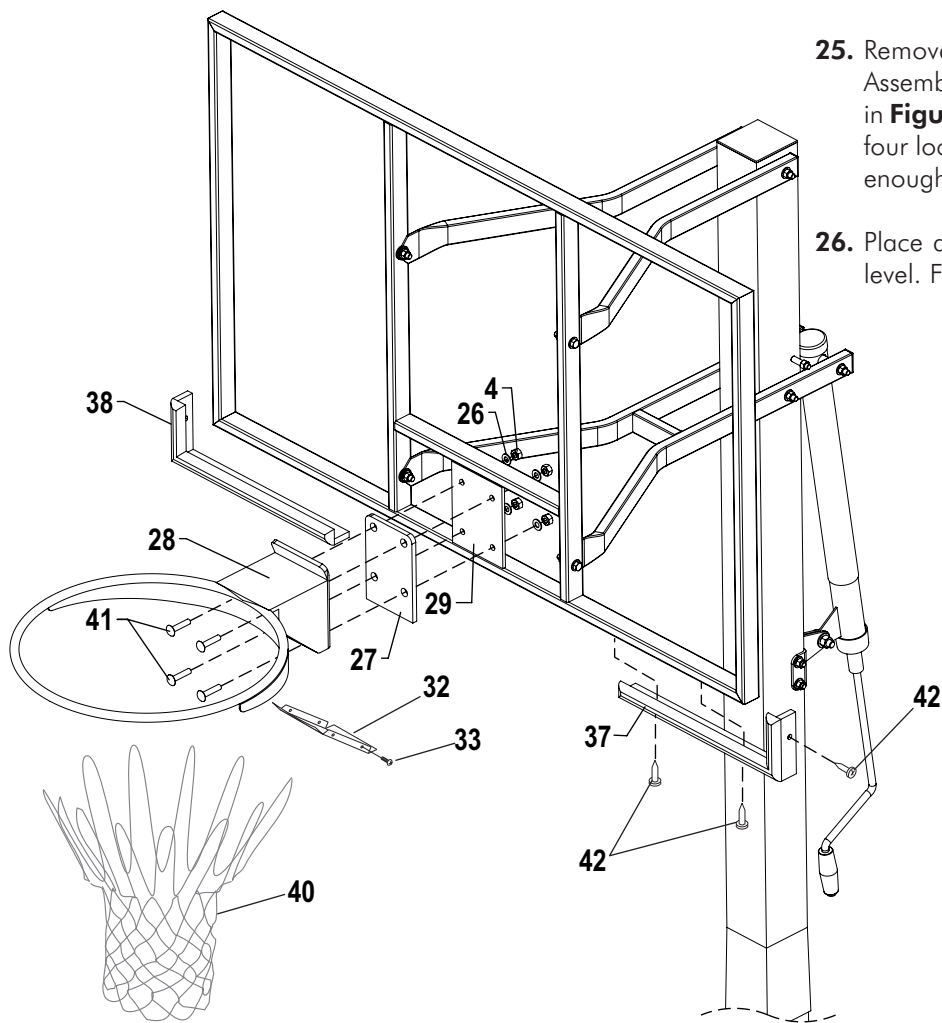


**Figure 12**

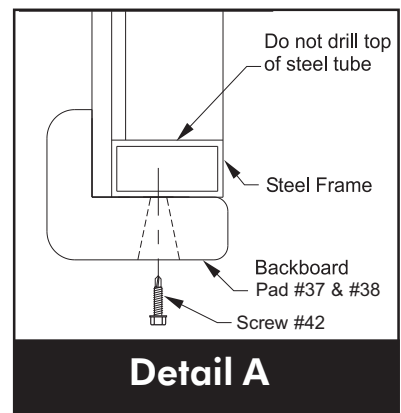
**! CAUTION !**

**ATTACHING BACKBOARD TO BOARD ARMS  
REQUIRES AT LEAST THREE CAPABLE ADULTS.**

- 23.** With at least two capable people, raise the backboard assembly up and have the third attach Lower Board Arms to lower mounting tubes on backboard using two bolts (#24), two plastic washers (#5), four washers (#18) and two lock nuts (#4). See **Figure 12**.  
**NOTE: Do NOT over tighten these bolts. This is a pivot point. Snug is tight enough.**
- 24.** Attach Upper Board Arms to upper mounting tubes on backboard using two bolts (#24), two plastic washers (#5), four washers (#18) and two lock nuts (#4). See **Figure 12**.  
**NOTE: Do NOT over tighten these bolts. This is a pivot point. Snug is tight enough.**



**Figure 13**



**! CAUTION !**

**NEVER USE RIM WITH COVERPLATE REMOVED!**

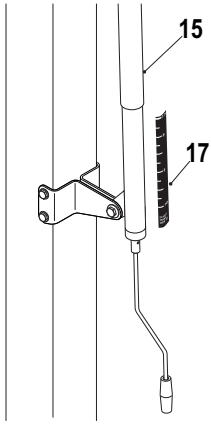
25. Remove protective backboard covering and mount Goal Assembly (#28) and Rim Pad (#27) to Backboard, as shown in **Figure 13**, using four bolts (#41), four washers (#26), and four locknuts (#4). Tighten fasteners, but leave them loose enough to level rim.
26. Place a level across rim assembly and adjust rim until it is level. Finish tightening the four nuts.

27. Attach Rim Cover Plate (#32) using four screws (#33). See **Figure 13**.
28. Check all nuts and bolts and make sure everything is tightened properly. **DO NOT over tighten** pivot points, snug is tight enough.
29. Use the Backboard Pads (#37) and (#38) as a template and mark the hole locations on the backboard frame. See **Figure 13** and **Detail A**.
 

**Note: Safety glasses required for Step 30.**
30. Drill 9/64" pilot holes into steel backboard frame. See **Detail A**. **Do not drill through both sides of tube.**

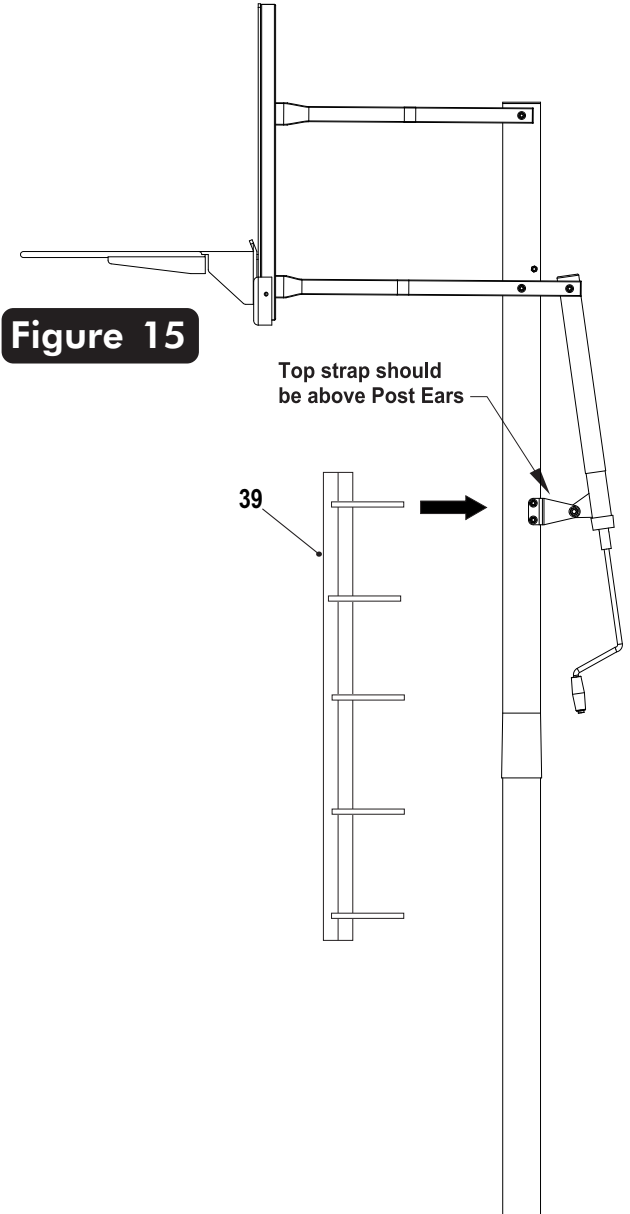
**Note: Cordless drill recommended for screw installation. Do not over tighten screws causing screws to strip.**

**Note: To install screws, it will be easier if you use a cordless drill with 5/16" socket (instead of Phillips head).**
31. Secure Backboard Pads (#37) and (#38), as shown, using screws (#42). Note: Tighten screws tight but, **do not over tighten**.



**Figure 14**

- 32.** Adjust unit to 7-1/2 feet. Use a tape measure to measure from the top of the rim to the playing surface. Stick Height Decal (#17) to back of Actuator (#16) with the "7.5" mark aligned with bottom of Actuator Sleeve (#15). See **Figure 14**.



**Figure 15**

- 33.** Secure Post Pad (#39) to front of pole by wrapping straps around pole and sticking to velcro on opposite side of Pad. Top Post Pad strap should be above Post Ears. See **Figure 15**.

## LIMITED 5 YEAR WARRANTY

This consumer warranty extends to the original consumer purchase of any Escalade® Sports Product (hereinafter referred to as the "Product").

**WARRANTY COVERAGE:** Escalade® Sports warrants to the original Consumer Purchaser that any Product of its manufacture is free from defects in material and workmanship. THIS WARRANTY IS VOID IF THE PRODUCT HAS BEEN DAMAGED BY ACCIDENT, UNREASONABLE USE, NEGLIGENCE, IMPROPER SERVICE, FAILURE TO FOLLOW INSTRUCTIONS PROVIDED WITH THE PRODUCT OR OTHER CAUSES NOT ARISING OUT OF DEFECTS IN MATERIAL OR WORKMANSHIP.

Subject to proper installation and normal Residential use, Escalade® Sports warrants, subject to the limitations below, to the original retail purchaser all structural components of the Goliath® System to be free of defects in material and workmanship for a period of five (5) years from the original purchase.

Merchandise must be shipped prepaid with a copy of proof of purchase to Escalade® Sports factory for examination to determine if the basketball system needs to be repaired or replaced. Any labor costs, travel expenses and any other changes involved in the removal, installation or replacement of the defective/repared parts from/to your Goliath® System will be the purchaser's responsibility. Shipping charges for replaced or warranted merchandise sent back to the customer from Escalade® Sports factory must be prepaid by the customer in advance. If not, the replacement shipment will be sent out collect.

Escalade® Sports reserves the right to examine photographs or physical evidence of merchandise claimed to be defective, and to recover said merchandise, prior to authorization of warranty claims. A "Returned Goods Authorization" number may be required, please call for details prior to the return of any photographs or merchandise.

This limited 5 year warranty is expressly in lieu of all warranties, expressed or implied, including warranties of merchantability or fitness for use. Escalade® Sports does not assume or authorize any person or representative to assume for us, any other liability in connection with the sale of our products.

The remedy of repair or replacement stated above is Escalade® Sports exclusive remedy. Escalade® Sports will not be liable for any other damages or expenses which may incur, including but not limited to incidental or consequential damages. Escalade® Sports assumes no other obligations or liability on the part of the purchaser, and Escalade® Sports neither assumes nor authorizes any other person to assume for it any other liability in connection with the goods sold.

This warranty shall not apply in any manner to parts or accessories not manufactured by Escalade® Sports.

### NOT COVERED BY THIS WARRANTY

- Merchandise not intended to be in places of public assembly, such as, but not limited to, schools, parks, public or private recreational facilities.
- Any merchandise subjected to Non-residential abuse, negligence, improper installation, vandalism, acts of God, alteration of product, or any other events beyond the control of Escalade® Sports.
- Paint or rusted parts. If rust should appear, remove loose paint, sand lightly, primer and paint with exterior flat matte finish enamel paint.
- HANGING ON RIM WILL VOID THE WARRANTY: Rims are not warranted for any defects other than workmanship. Torn back plates, damaged springs, bent rings, damaged eyebolts, and torn or distorted rim supports result from hanging on the rim and are not warranted.
- Shipping charges both ways. Note: Any merchandise shipped to Escalade® Sports collect will be refused.
- Dealer service charges, labor charges and travel expenses associated with replacement of repair of warranty item.

**WARRANTY DISCLAIMERS:** ANY IMPLIED WARRANTIES ARISING OUT OF THIS SALE, INCLUDING BUT NOT LIMITED TO THE IMPLIED WARRANTIES OF MERCHANTABILITY AND FITNESS FOR A PARTICULAR PURPOSE, ARE LIMITED IN DURATION. ESCALADE® SPORTS SHALL NOT BE LIABLE FOR LOSS OF USE OF THE PRODUCT OR OTHER CONSEQUENTIAL OR INCIDENTAL COSTS. EXPENSES OR DAMAGES INCURRED BY THE CONSUMER OF ANY OTHER USE.

Some states do not allow the exclusion or limitation of implied warranties or consequential or incidental damages, so the above limitations or exclusions may not apply to you.

LEGAL REMEDIES: This warranty gives you specific legal rights, and you may also have other rights which may vary from state to state.

### WARRANTY GUIDELINES IS REQUIRED FOR ALL WARRANTY CLAIMS

1. Proof of Purchase (original retail purchaser) is required for all warranty claims.
  2. Call or write Escalade® Sports to receive a Return Authorization # and determine specific needs.
- Phone: 1-888-USA-GOAL / Warranty Dept.  
Or Write Escalade® Sports at: Escalade® Sports - P.O. Box 889, Evansville, IN 47706 - Attn: Warranty Dept.  
Or E-mail us at: [basketball@escaladesports.com](mailto:basketball@escaladesports.com)

## GOALIATH CARE INFORMATION

### - BACKBOARD -

**Items needed to clean backboard:**

- 100% cotton soft cloth, (only)
- Glass Cleaner

Clean backboard using a **100% Cotton** soft cloth and glass cleaner. Clean glass as you would household windows. Strong cleansers will damage backboard and void warranty.

### - RIM -

**HANGING ON THE RIM WILL VOID YOUR WARRANTY.** Rims are not warranted for any defects other than workmanship. Torn back plates, damaged springs, bent rings, damaged eye bolts, and torn or distorted rim supports result from hanging on the rim and are not warranted.

The goal should not be cranked under 7-1/2' or over 10'. Adjustments of the goal should be done under adult supervision.

When attempting slam dunk activity you should always wear a mouth guard to avoid dental injury.

### - MAINTENANCE -

To ensure ease of operation, lubricate all pivot points at least every 6 months or as needed with a good lubricant such as WD-40.

### - RUST -

Inspect your pole periodically, if rust should appear, remove loose paint, sand lightly, primer and paint with exterior flat matte finish enamel paint.

## B2222 REPLACEMENT PARTS LIST

Key#	Part #	Description	Qty.
1	3M-6850-00	4" Square Tube Plug (pre-installed)	1
2	8S-6864-01	Bottom Post	1
3	8S-6863-01	Top Post	1
4	901-28	3/8-16 Nylon Locknut	14
5	3M-6883-00	1-1/4" OD Plastic Washer	8
6	8S-6865-01	Upper Board Arm	2
7	1B-6484-10	3/8-16 X 7" Hex Bolt - Grade 5	2
8	3M-6269-00	1/4" Spacer	2
9	3M-6898-00	40mm X 20mm Tube Plug	8
10	8S-6657-00	Stop Spacer	2
11	1A-7030-00	Lower Board Arm	1
12	Not Used		
13	3M-6467-00	Actuator Cap	1
14	8S-6658-00	Pivot Tube	1
15	3M-6542-00	Actuator Sleeve	1
16	4A-6605-00	Actuator	1
17	4L-8110-00	Height Decal	1
18	701-50	3/8 STD Washer	18
19	1B-6486-10	1/2-13 X 1-1/2" Hex Bolt	1
20	2B-6093-00	1/2 Flat Washer	2
21	2B-6095-00	1/2-13 Nylon Locknut	1
22	1B-6957-00	3/8-16 X 6.5" Hex Bolt-Grade 5	2
23	6A-7426-00	Backboard Assembly-33x54" Glass	1
24	1B-6955-00	3/8-16 X 1.75" Hex Bolt	4

Key#	Part #	Description	Qty.
25	1B-6485-10	3/8-16 X 5" Hex Bolt	2
26	2B-6114-00	3/8 Flat Washer	4
27	3M-6473-00	3X4 Rim Pad	1
28	6A-6374-00	Goal Assembly	1
29	3M-6835-00	Goal Spacer Plate (Pre-Installed)	1
30	2S-6795-00	Post Ear	2
31	Not Used		
32	2S-6427-00	Rim Cover Plate	1
33	1B-6788-00	#8 x 1/2 Thread Forming Scr.	4
34	7B-6255-00	Pull Pin	1
35	4A-6606-00	Actuator Handle	1
36	2L-7184-02	This Manual	1
37	3M-6899-00	48" Board Pad Right	1
38	3M-6900-00	48" Board Pad Left	1
39	3M-6901-00	Post Pad	1
40	3F-6010-00	Net	1
41	1B-6782-00	3/8-16 x 1 3/4" Carriage Bolt	4
42	1B-6821-00	Self Tapping Screw-#10 x 1"	6

