

Features

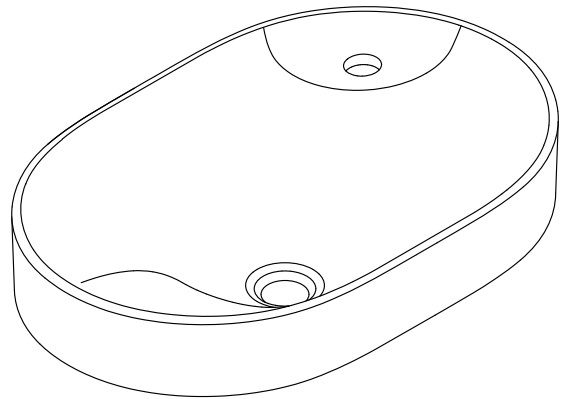
- Elongated oval basin
- With overflow
- Single faucet hole
- Color matches seamlessly with other KOHLER® products

Material

- Vitreous china

Installation

- Vessel



ADA

Codes/Standards

ASME A112.19.2/CSA B45.1

ADA

ICC/ANSI A117.1


KOHLER® Vitreous China Bathroom Sink Lifetime Limited Warranty

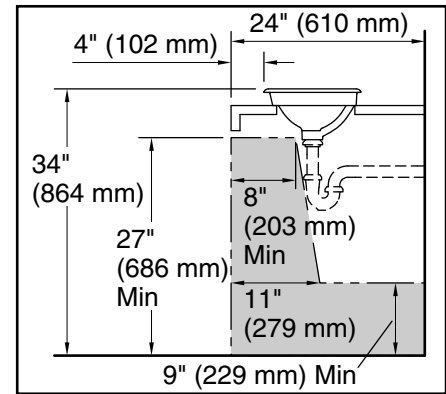
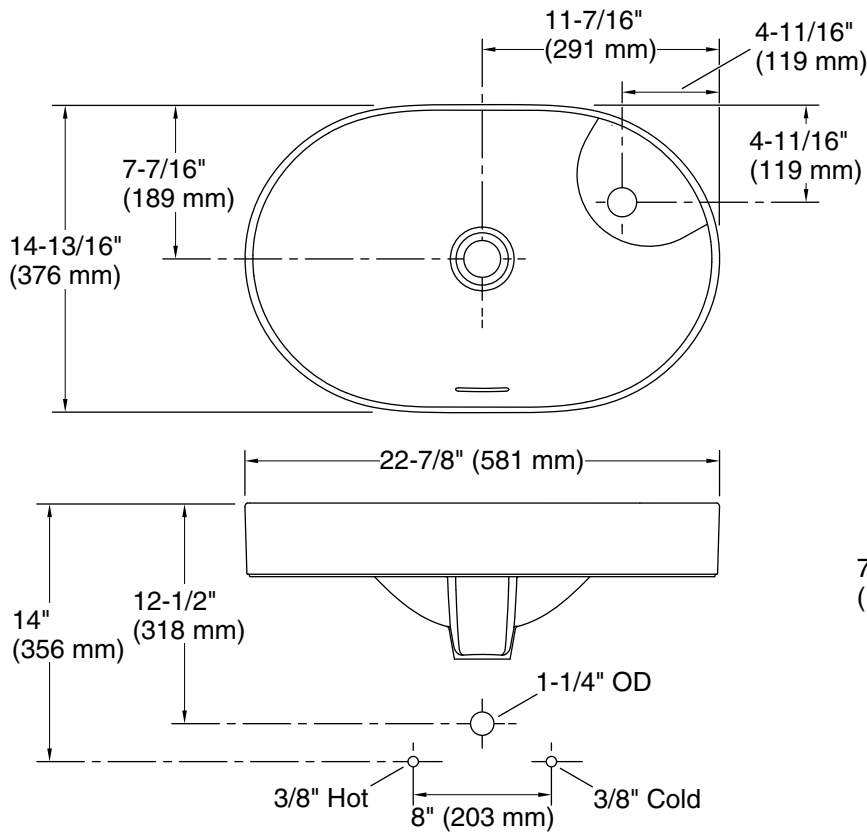
See website for detailed warranty information.

Available Colors/Finishes

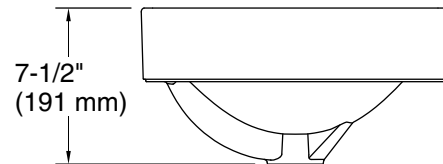
Color tiles intended for reference only.

Color	Code	Description
-------	------	-------------

	0	White
---	---	-------



Recommended ADA Installation



Technical Information

All product dimensions are nominal.

Basin configuration: Single Bowl

With overflow: Yes

Drain hole: 1-3/4" (45 mm)

Template: Above-counter, 1507716-7, required, not included

Notes

Install this product according to the installation instructions.

ADA compliant when installed to the specific requirements of these regulations.