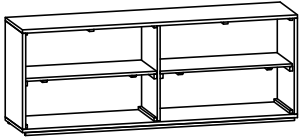


ASSEMBLY INSTRUCTION

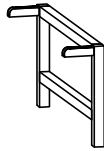
E584-40(N1) BUFFET

A Body



1pc

B Side Frame



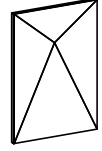
2pcs

C Left Door - 1



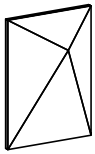
1pc

D Left Door - 2



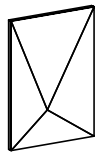
1pc

E Right Door - 1



1pc

F Right Door - 2



1pc

G Bolt
Ø1/4"x1/2"



8pcs

H Flat Washer
Ø1/4"x16mm



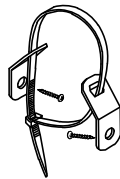
8pcs

I Allen Key
M4

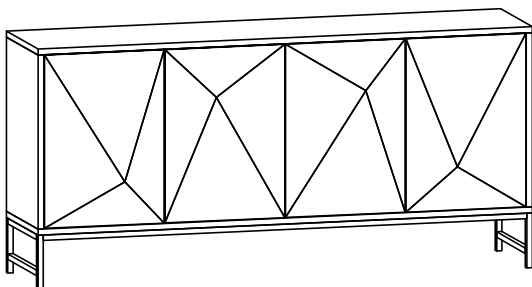


1pc

J Anti-Tipping Kit

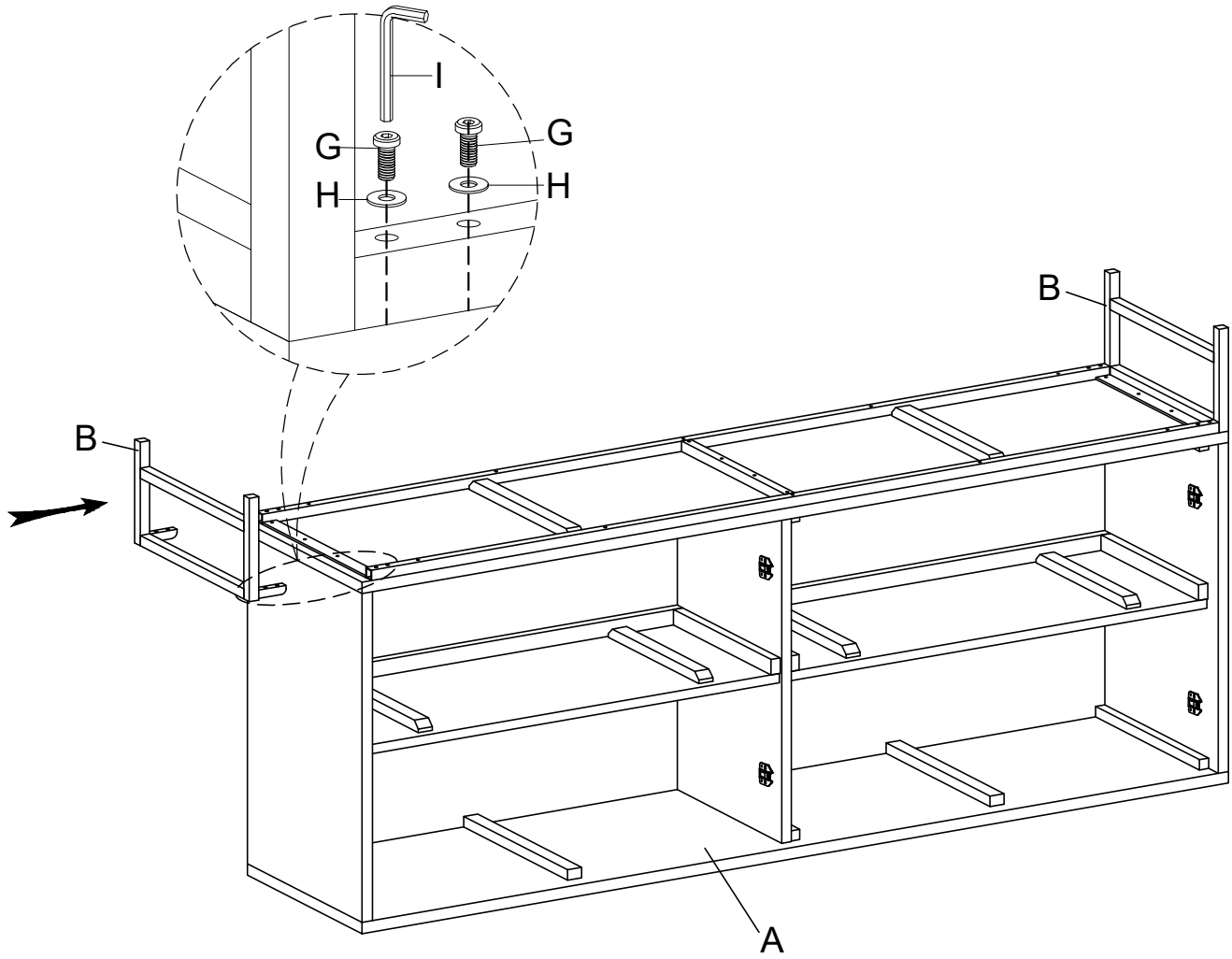


2sets

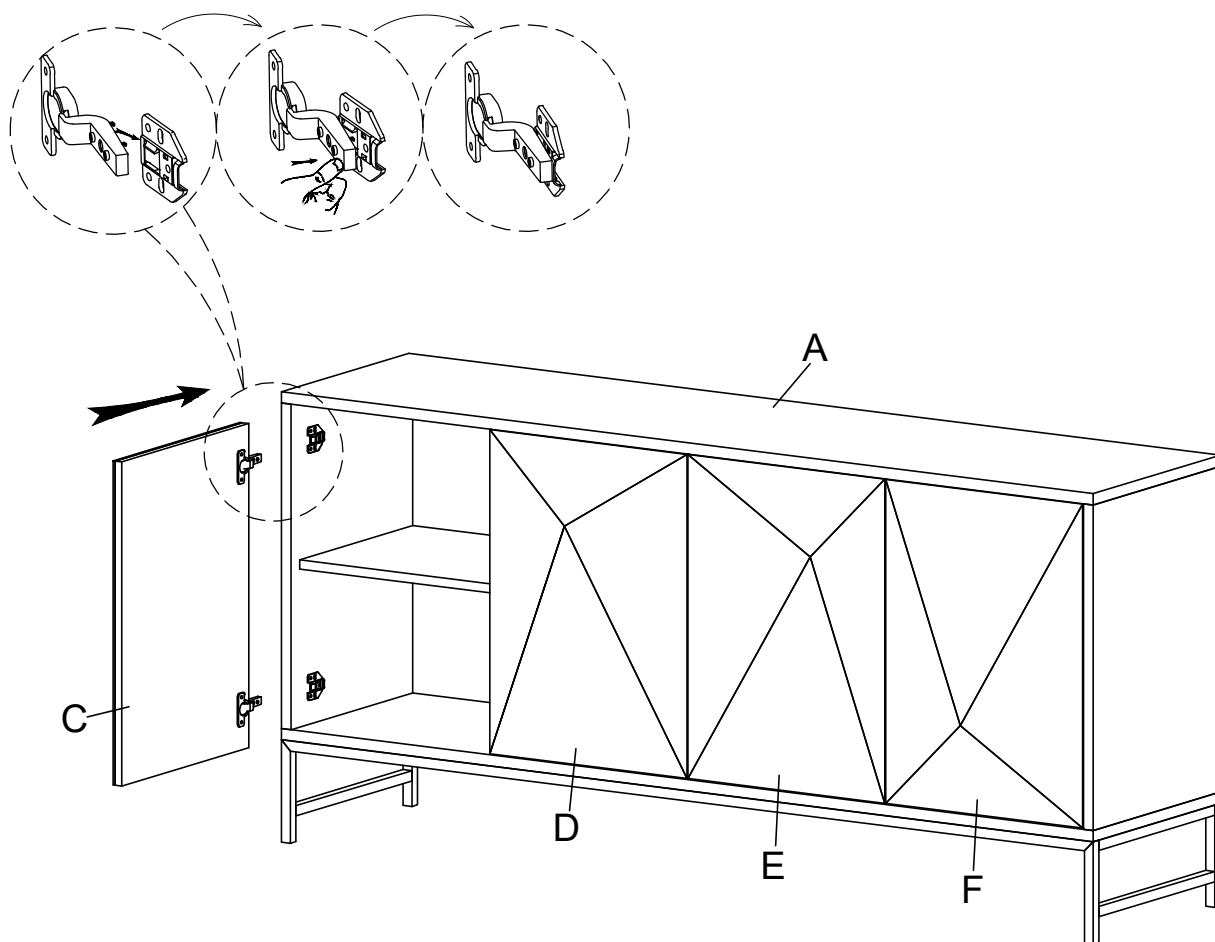


This page lists all the contents included in the box. Please take the time to identify the hardware as well as the individual components to this product. As you unpack and prepare for assembly, place the contents on a carpeted or padded area to protect them from damage.

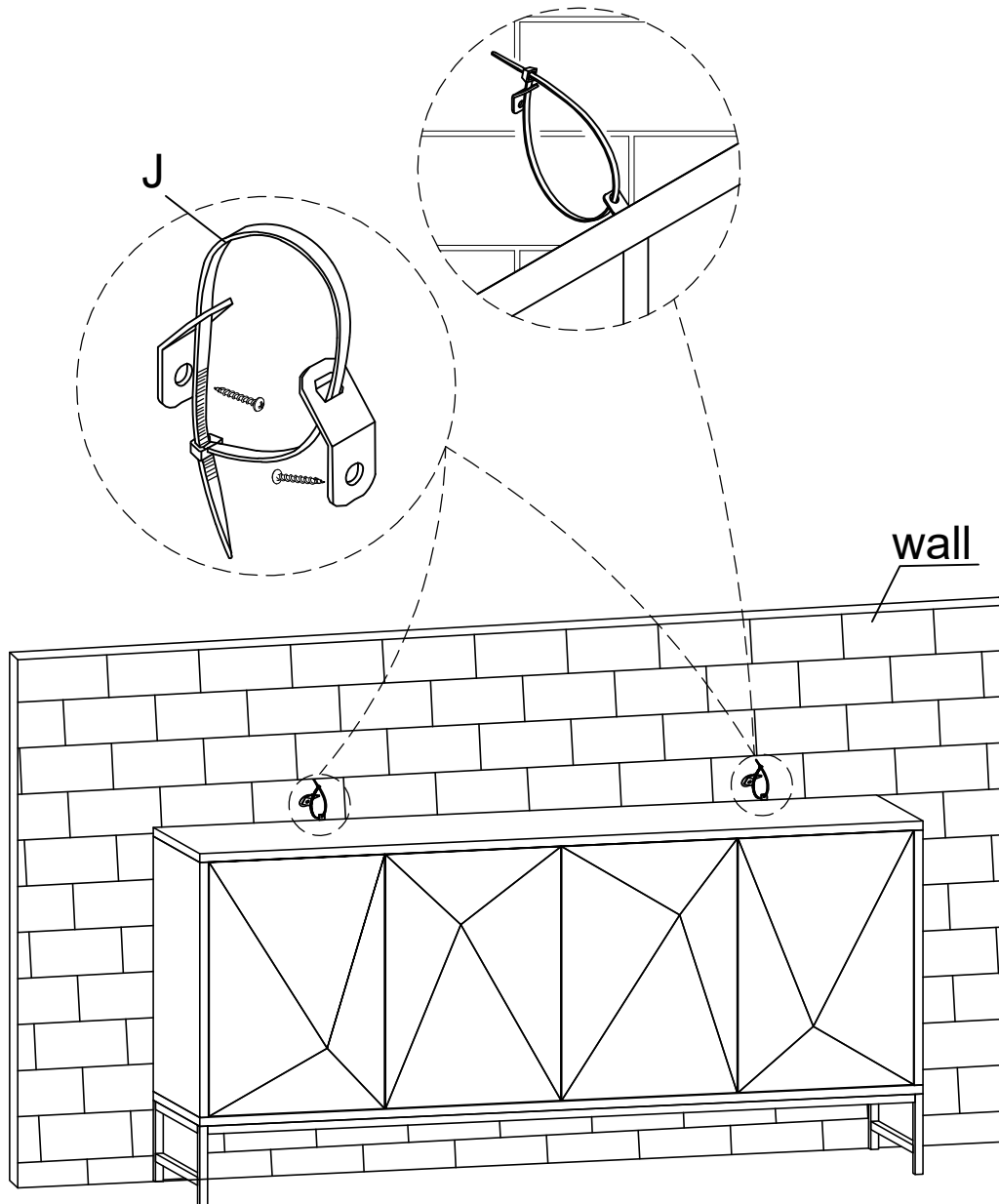
- 1** Assemble Side Frame (B) together with the bottom base of Body (A), using Bolt (G) & Flat Washer (H) by Allen Key (I) as below shown.



2 Attach Left Door - 1 (C) & Left Door - 2 (D) and Right Door - 1 (E) & Right Door - 2 (F) to Body (A) as below shown.



- 3** Remark: there is a tip restraint kit provided on the back of this product. Please read the instruction thoroughly and install immediately when placed in home. To prevent tip over, the product must be attached to wall.



Cleaning & Care

Treat surface with care. Surface is resistant to scratches but is not scratch resistant. Clean surfaces with a dry or damp soft cloth. Do not use abrasive cleaners. Hardware may loosen over time. Periodically check that all connections are tight.