

Features

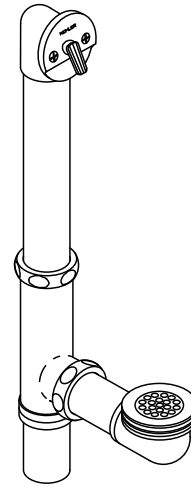
- Adjustable trip lever
- 1-1/2" (38 mm) connection
- Brass tailpiece
- 17-gauge brass construction
- Removable grid strainer

Installation

- For 14" – 16" (356 – 406 mm) deep baths
- For through-the-floor installations

Recommended Products/Accessories

K-23726 Drain treatment



Codes/Standards

ASME A112.18.2/CSA B125.2


KOHLER® One-Year Limited Warranty

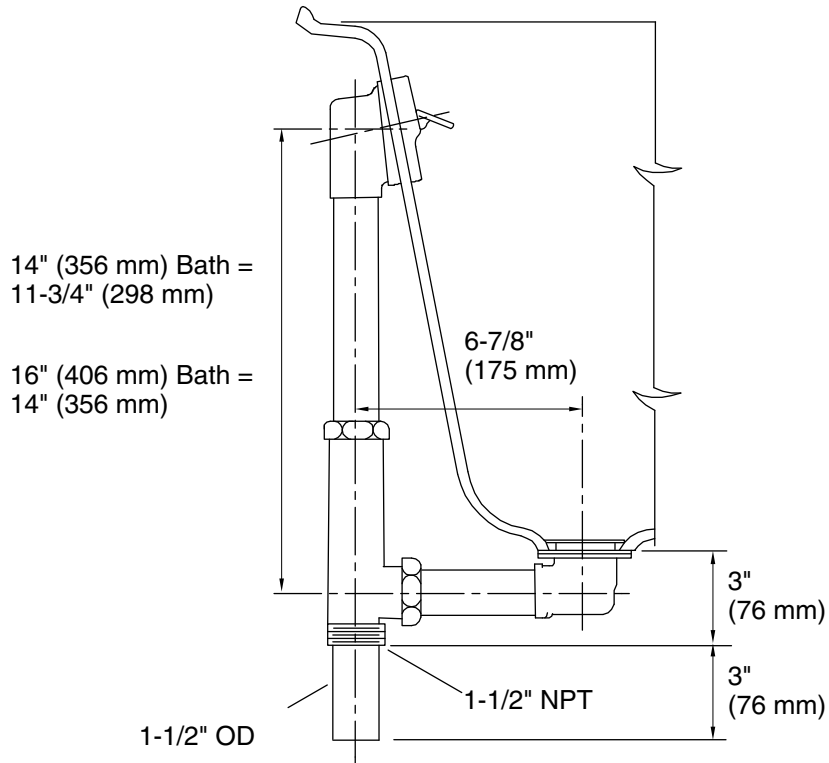
See website for detailed warranty information.

Available Colors/Finishes

Color tiles intended for reference only.

Color	Code	Description
-------	------	-------------

	CP	Polished Chrome
-------------------------------------------------------------------------------------	----	-----------------



Technical Information

All product dimensions are nominal.

Material: Brass

Notes

Install this product according to the installation instructions.