

**LED**

Each port has a dual-colored LED as input signal indicator. Red light indicates high voltage (low logic level) and green light indicates low voltage (high logic level).

For DTE port, the flashing LED indicates data coming from a modem into the splitter. For DCE port, the flashing LED indicates data coming from that port into the splitter.

**Pin Assignment**

DTE (male)			DCE (female)		
1	Chassis GND		1	Chassis GND	
2	TD	OUT	2	RD	IN
3	RD	IN	3	TD	OUT
4	RTS	OUT	4	CTS	IN
5	CTS	IN	5	RTS	OUT
6	DSR	IN	6	DTR	OUT
7	GND		7	GND	
8	DCD	IN	8	DCD	OUT
15	TDCLK	IN	15	TDCLK	OUT
17	RDCLK	IN	17	RDCLK	OUT
20	DTR	OUT	20	DSR	IN
22	RI	IN	22	RI	OUT

**PREVENTING RADIO & TV INTERFERENCE**

**WARNING!!!** This equipment generates, uses, and can radiate radio frequency energy and if not installed and used in accordance with the instructions manual, may cause interference to radio communications. It has been tested and found to comply with the limits for a Class A computing device pursuant to Subpart J of Part 15 of FCC Rules, which are designed to provide reasonable protection against such interference when operated in a commercial environment. Operation of this equipment in a residential area is likely to cause interference in which case the user at his own expense will be required to take whatever measures may be required to correct the interference.

**LIMITED WARRANTY**

IN NO EVENT SHALL THE DIRECT VENDOR'S LIABILITY EXCEED THE PRICE PAID FOR THE PRODUCT FROM DIRECT, INDIRECT, SPECIAL, INCIDENTAL, OR CONSEQUENTIAL DAMAGES RESULTING FROM THE USE OF THE PRODUCT, DISK, OR ITS DOCUMENTATION.

The direct vendor makes no warranty or representation, expressed, implied, or statutory with respect to the contents or use of this documentation, and specially disclaims its quality, performance, merchantability, or fitness for any particular purpose.

The direct vendor also reserves the right to revise or update device or documentation without obligation to notify any individual or entity of such revisions, or update. For further inquiries please contact your direct vendor.

**MODEM SPLITTER**

MS-173 ( 3 PORTS )

&amp;

MS-176 ( 6 PORTS )

**User's Manual****Packing Checklist**

- MS-173 & MS-176 x 1
- User's Manual x 1

*Please read this manual thoroughly and follow the installation procedures to prevent any damage to the MS-173/MS-176 and/or the connecting devices.*

©Copyright 1995 ATEN® International Co., Ltd.  
Manual Part No PAPE-1069-100  
Printed in Taiwan 04/95

## INTRODUCTION

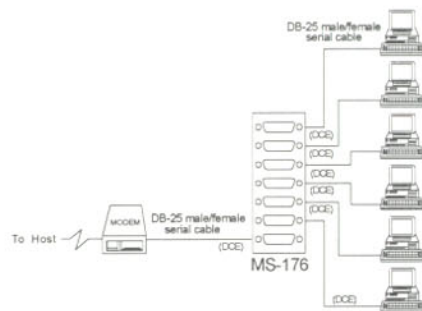
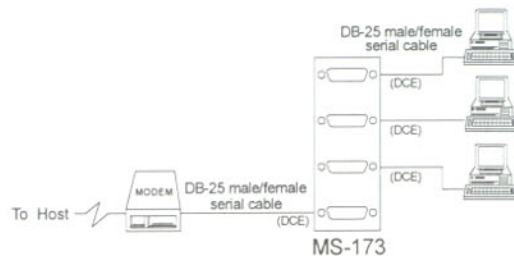
The Modem Splitter gives you the most convenient way of sharing a Modem when communicating with a host system. Up to six terminals can be connected to this power-free device by DB-25 male/female straight-through serial cables.

The Modem Splitter spreads the signals coming from the host to all terminals and combines the terminal signals to the host regardless of the speeds and protocols.

## FEATURES:

- For synchronous or asynchronous operation.
- LEDs indicate port signals.
- Power-free operation.
- Compact size and easy to use.

## INSTALLATION



**Note:** All serial cables are DB-25 straight-through male-to-female cables.

## SPECIFICATION

FUNCTION	SPECIFICATION	
	MS-176	MS-173
Cable Distance	6m (20feet) (Max.)	
Channels	6	3
Operation	Synchronous or Asynchronous	
Leads Supported	Chassis GND, TD, RD, RTS, CTS, DSR, GND, DCD, DTR, TDCLK, RDCLK, RI	
Interface	RS-232/V.24	
Connectors	(MS-176) DB25 male x1, DB25 female x6 (MS-173) DB25 male x1, DB25 female x3	
LED	Dual-colored LED for Each Port	
Operation Temperature	5°C ~ 40°C	
Stock Temperature	-20°C ~ 60°C	
Humidity	0% ~ 80% noncondensing	
Enclosure	Aluminum	
Weight	355g	320g
Dimensions (LxWxH)	184 x 80 x 25 (mm)	