

Installation Instructions

Vanity

Record your model number:

Noter le numéro de modèle:

Anote su número de modelo: _____

Français, page 12

Español, página 22

KOHLER®

Thank You for Choosing KOHLER

Need help? Contact our Customer Care Center.

USA/Canada: 1-800-4KOHLER (1-800-456-4537)

Mexico: 001-800-456-4537

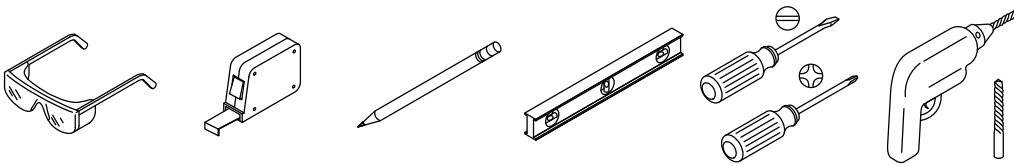
For service parts information, visit kohler.com/serviceparts.

For care and cleaning information, visit kohler.com/clean.

Warranty

This product is covered under the KOHLER® One-Year Limited Warranty, found at kohler.com/warranty. For a hardcopy of warranty terms, contact the Customer Care Center.

Tools and Materials





Plus:


- 2x6s
- Stud Finder
- Framing and Framing Fasteners
- Drywall and Drywall Tools


Before You Begin

 **WARNING: Risk of serious or fatal injury.** To avoid tipping over, the cabinet must be properly secured to the wall.

 **CAUTION: Risk of product damage.** Do not modify the vanity. Doing so will compromise structural stability.

 **CAUTION: Risk of personal injury or property damage.** The provided lag bolts are intended to be used with standard thickness drywall and wood studs. If the wall is thicker, longer lag bolts are required (not provided). Calculate the proper lag bolt length by adding the following: 1-1/2" (38 mm) backing material, plus the wallboard thickness, plus the back rail thickness. For other wall materials, consult with a professional for appropriate mounting hardware.

 **CAUTION: Risk of product damage.** Do not sit or stand on the cabinet.

 **CAUTION: Risk of product damage.** Use care when moving the cabinet to avoid impacting, sliding, or side-loading the legs.

NOTICE: Siliconized acrylic caulk must be used to secure a sink or countertop to the vanity. Do not use 100% silicone sealant which will damage the finish of the vanity.

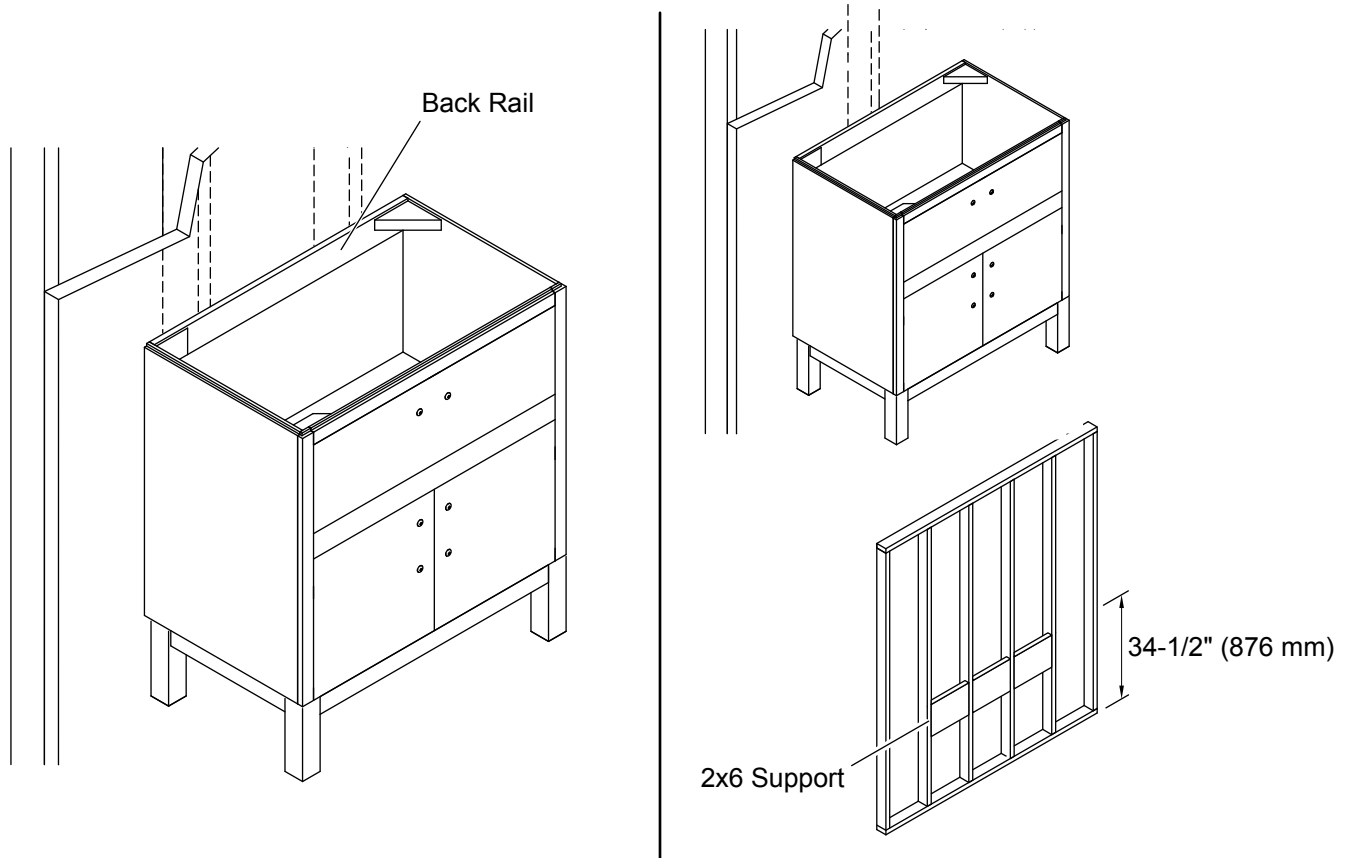
Follow all local plumbing and building codes.

Your product may appear different from the one illustrated. The installation procedure is the same.

Two people should perform this installation.

This vanity is designed to allow most base moldings to pass behind the vanity.

1. Prepare the Site



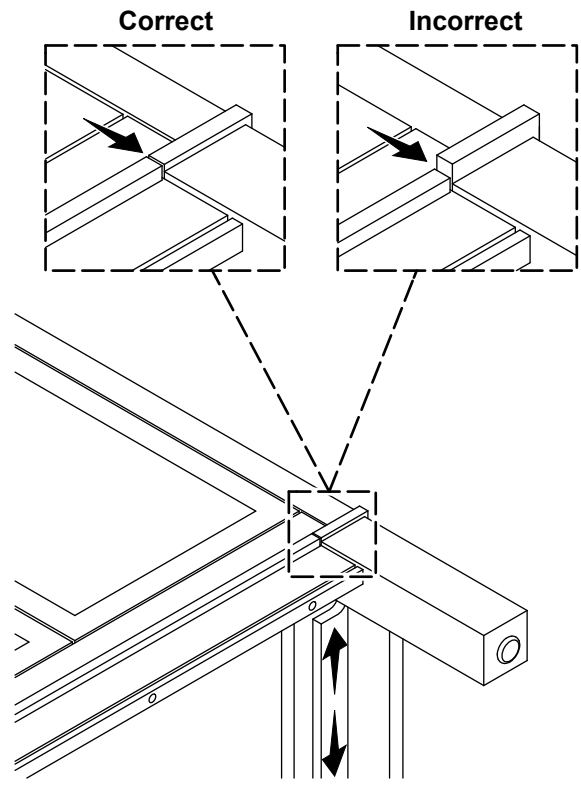
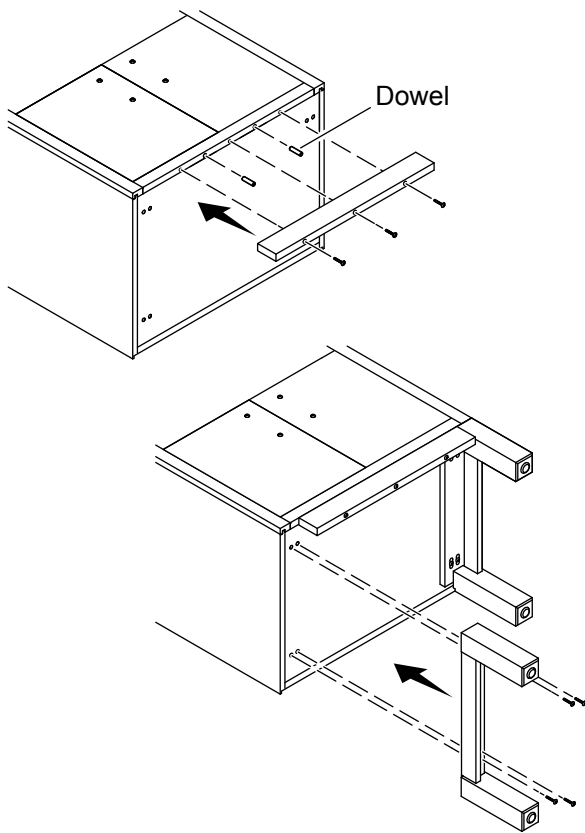
⚠ CAUTION: Risk of property damage. To properly support the weight of the vanity and vanity top/sink, secure to stud framing or 2x6 support behind the finished wall.

- Install the vanity to two or more studs, with one stud at each end of the back rail. Locate the studs and determine if additional 2x6 support is needed.
- If installing 2x6 support, install 2x6s between the wall studs at the desired vanity location. The height from the finished floor to the top of the 2x6 support should be 34-1/2" (876 mm) and flush with the front of the wall studs.
- Plan for routing supply and drain piping for your desired sink installation.

NOTICE: To ensure proper support and alignment: The finished wall must be straight and plumb. The floor must be flat and perpendicular to the finished wall.

- Complete the finished wall.

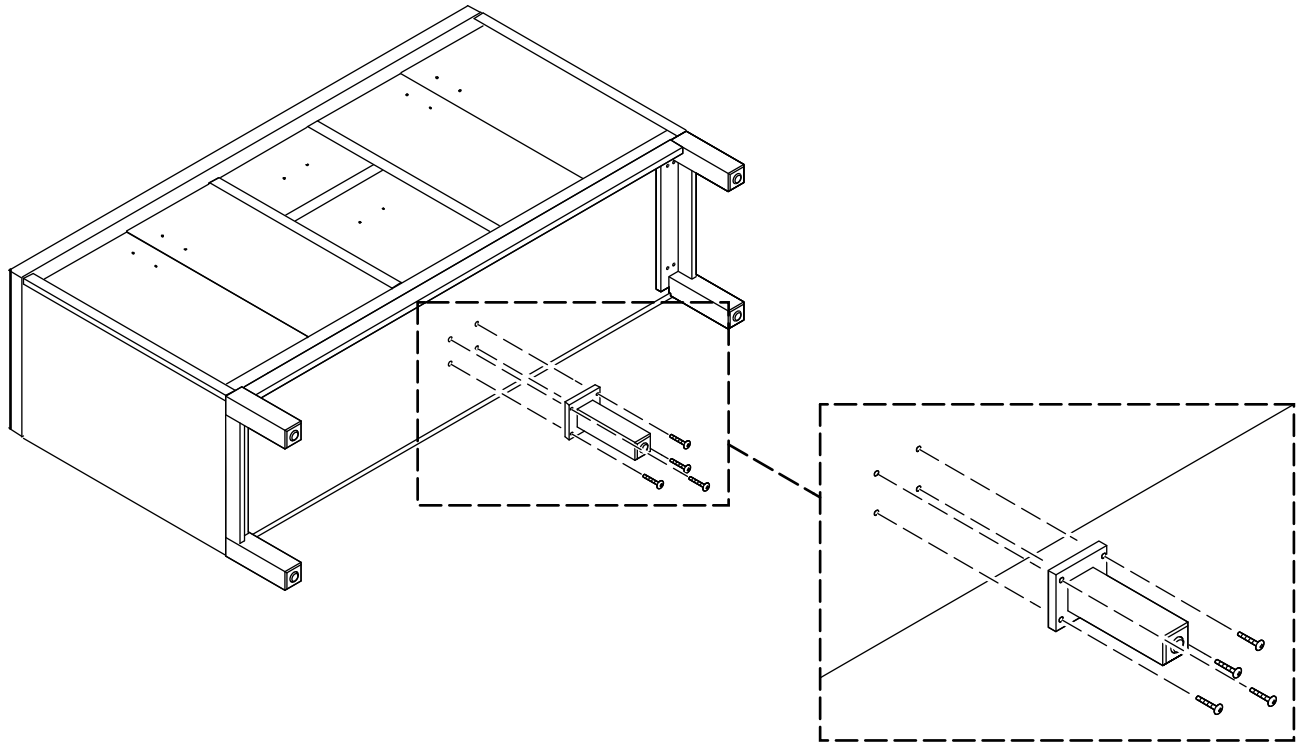
2. Install the Legs



IMPORTANT! Perform this procedure with two people.

- Lay the vanity on its back on a flat, padded surface.
- Insert the dowels into the cabinet dowel holes.
- Position the apron onto the dowels.
- Secure the apron using the wood screws (provided).
- Position the leg assemblies on the bottom of the cabinet so that the fastener holes line up.
- Loosely attach the legs with the truss-head screws (provided).
- Align the legs flush with the front edges of the vanity.
- Securely tighten the truss-head screws.
- 60" Vanities:** Proceed to "Install the Center Leg (60" Vanity Only)".
- All Other Vanities:** Carefully stand the vanity upright. **Do not slide or side-load the legs.**

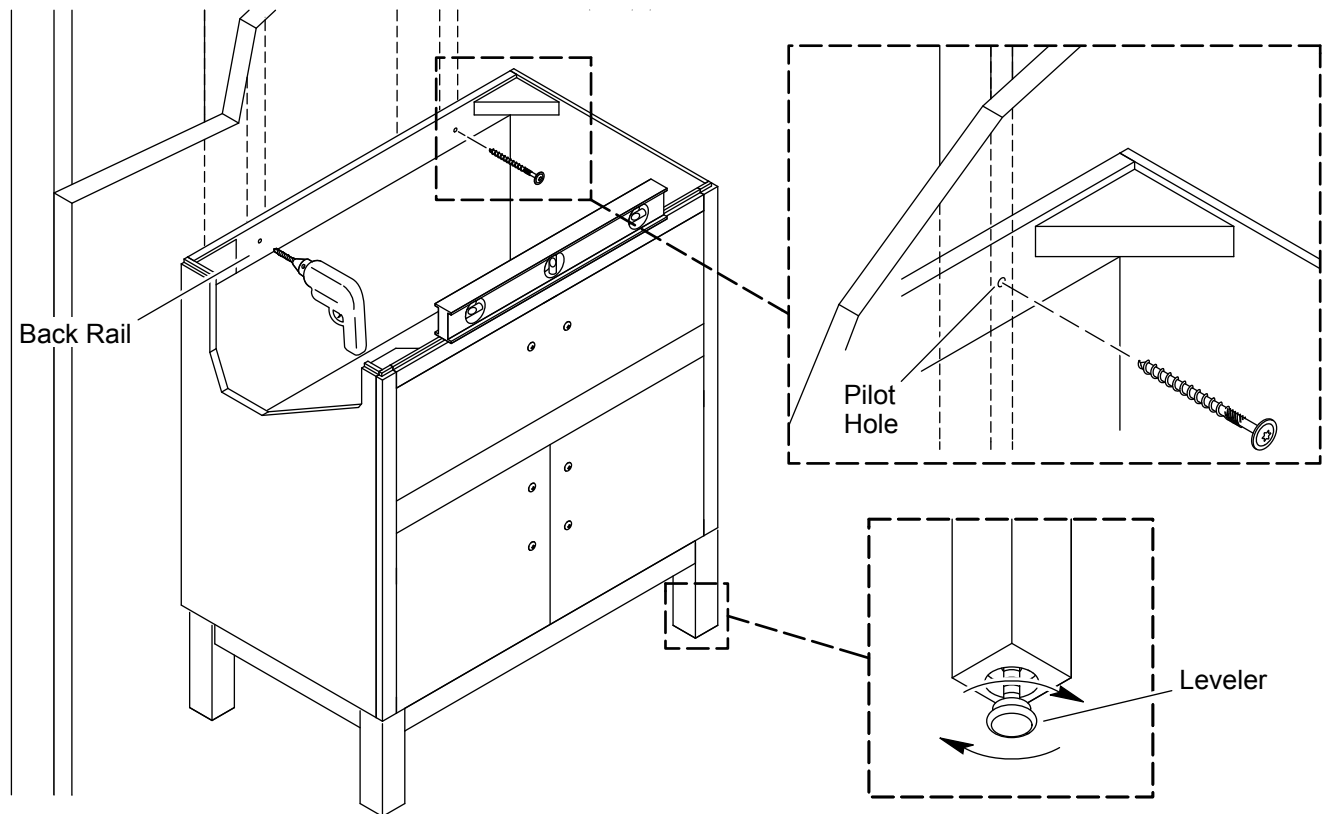
3. Install the Center Leg (60" Vanity Only)



IMPORTANT! Perform this procedure with two people.

- Lay the vanity on its back on a flat, padded surface.
- Install the center leg with the four truss-head screws (provided).
- Carefully stand the vanity upright. **Do not slide or side-load the legs.**

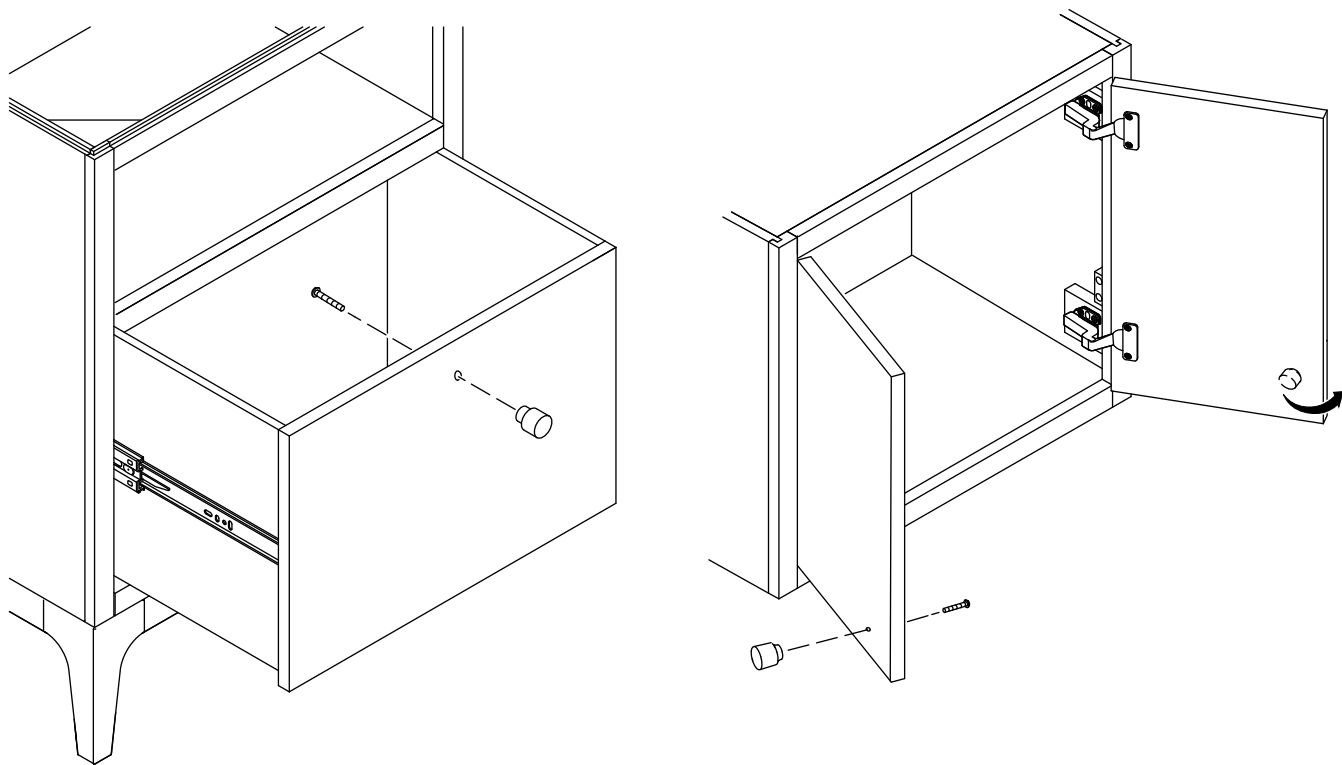
4. Secure the Vanity



⚠ CAUTION: Risk of product damage. Drill the lag bolt pilot holes near the ends of the back rail to provide maximum support and to prevent flexing of the unit.

- With assistance, lift and place the cabinet in position against the finished wall. **Do not slide or side-load the legs.**
- Verify that the vanity is level and plumb against the wall. If necessary, turn the levelers to adjust the unit.
- Verify that there is proper clearance for the doors to open fully.
- Using a 1/8" drill bit, drill a pilot hole through each end of the back rail and into the finished wall. Verify that the holes align with the 2x6 support or a wall stud.
- Secure the vanity to the wall with the two 1/4" lag bolts (provided).

5. Install the Handles and Pulls



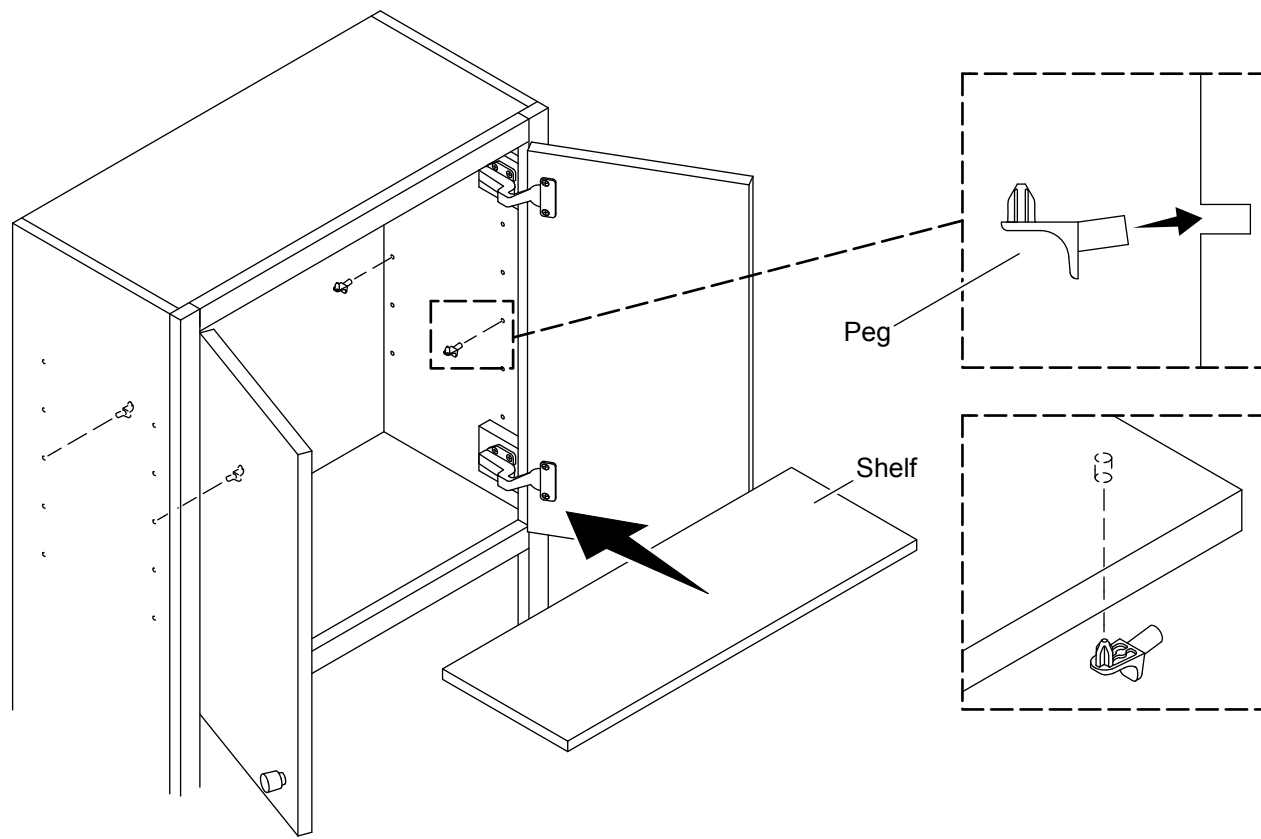
NOTE: To protect from damage, the door handles and drawer pulls are installed inside the cabinet or packaged individually.

- Remove door handles and drawer pulls that are attached to the inside of the cabinet.

NOTE: Some cabinets will have two screw lengths. If applicable, use the shorter screws for the door handles and the longer screws for the drawer pulls.

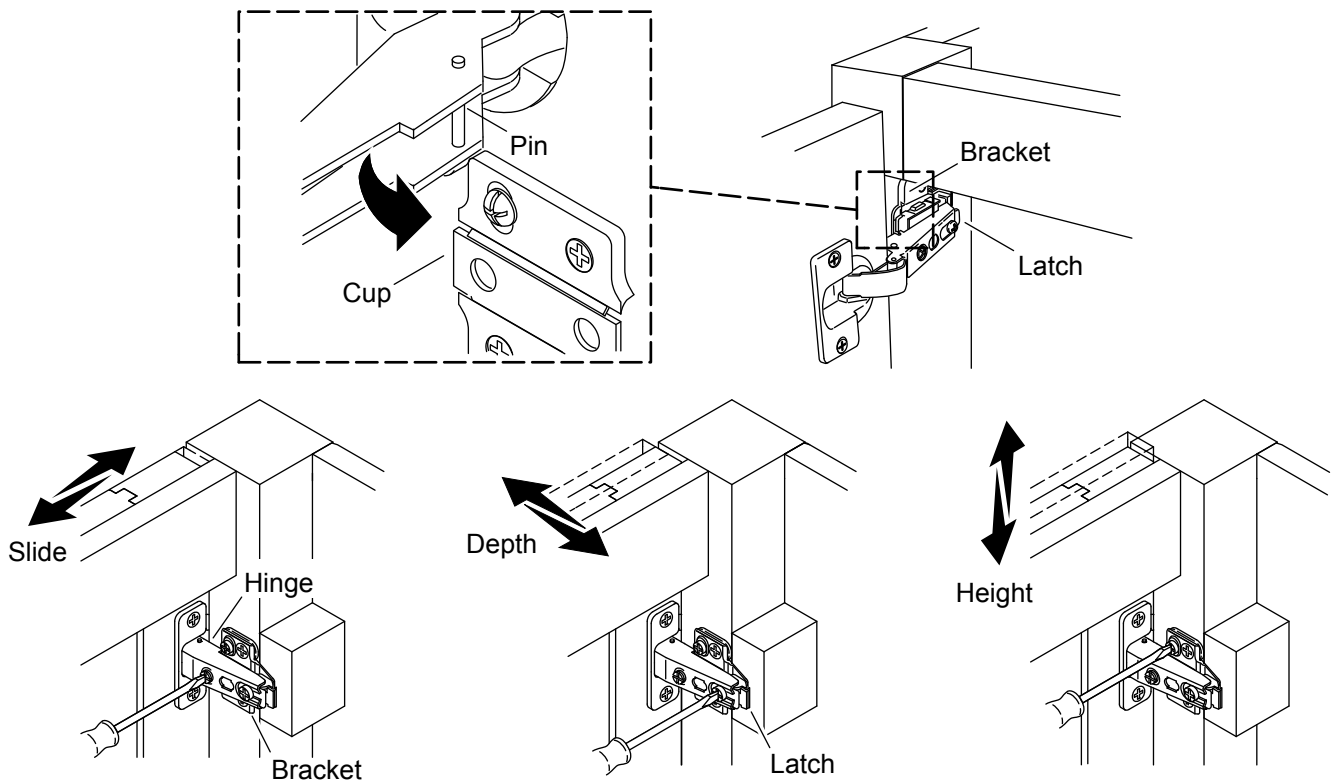
- Install the handles and pulls to the outside of the cabinet, using the pre-drilled holes.
- Tighten the screws securely.

6. Install the Shelves



- Determine the desired height of the shelf inside the cabinet.
- Insert the pegs into the side holes at the desired height.
- Tilt the shelf and position inside the cabinet above the four pegs.
- Rotate the shelf down so the holes on the bottom of the shelf engage the pegs.
- Repeat for any additional shelves.

7. Remove/Adjust the Door



⚠ CAUTION: Risk of product damage. Do not leave the door supported with only one hinge during removal or installation. Disengage the bottom hinge first during removal, and reattach the top hinge first during installation.

Door Adjustment

- Adjust the hinges as needed for proper door functionality and alignment.
- Refer to the illustration and note the screwdriver location for the desired adjustment.

Door Removal

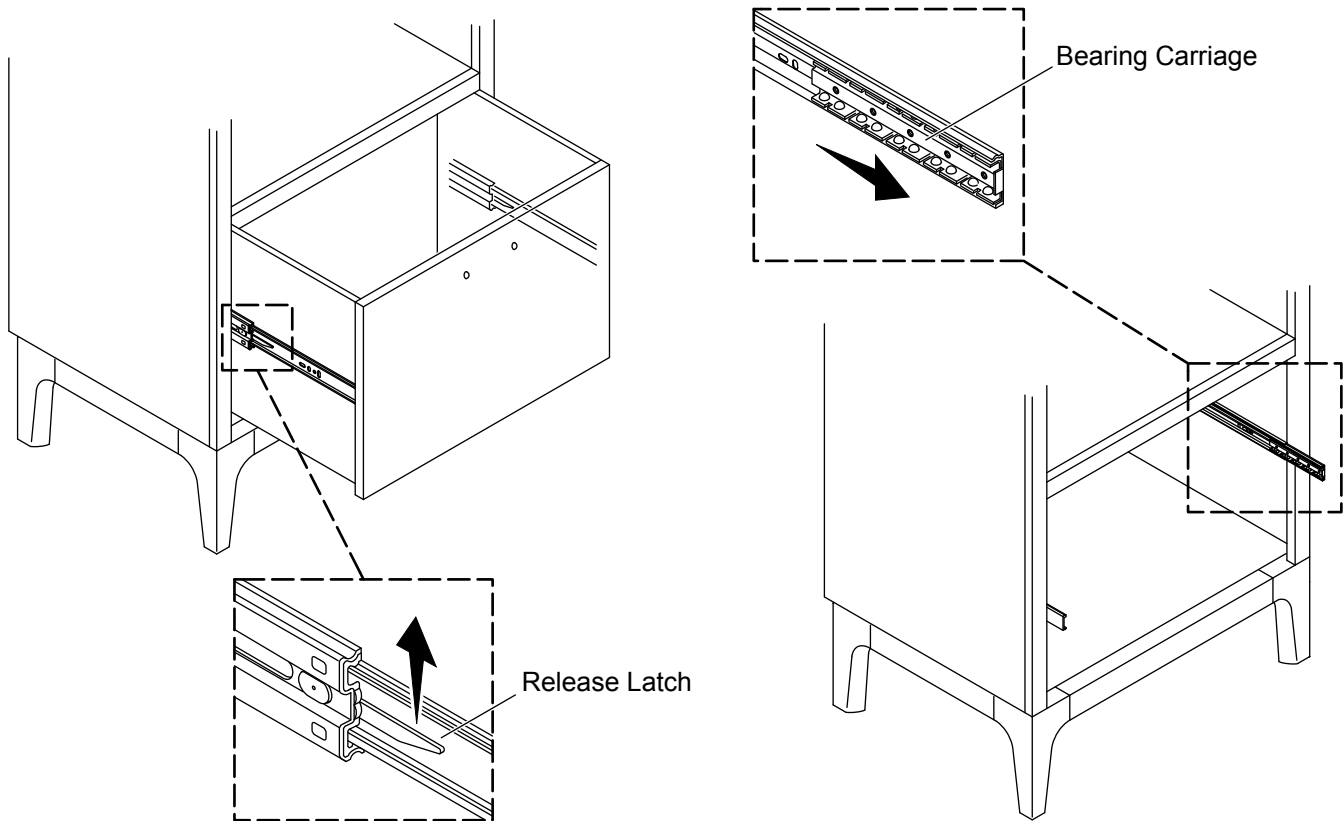
- Apply slight leverage to the door with one hand to keep the door in the full open position.
- With the other hand, release the lower hinge latch from the bracket.
- Repeat for the upper hinge.
- Move the door forward to slide the hinges off the brackets.

Door Installation

NOTE: Get assistance supporting the door to ease installation.

- Align the pin with the top hinge cup.
- Snap the latch onto the top bracket.
- Repeat for the lower hinge.

8. Remove/Adjust the Drawer



Drawer Removal

- Fully extend the drawer.
- On the drawer slides, pull the left side release latch up, and push the right side release latch down.
- While holding the release latches, support the drawer and pull to disengage from the rails.

Drawer Installation

⚠ CAUTION: Risk of personal injury. The drawer can fall if the latches are not properly engaged. Make sure that the latches are engaged on the drawer.

- Fully extend both rails.
- Pull the bearing carriage on each cabinet rail toward you.
- Align the drawer rails onto the cabinet rails, then close the drawer.
- Open and close the drawer to confirm proper operation and ensure that the latches are engaged.