

# Assembly & Installation Instructions

**CAUTION:** Read instructions carefully and turn electricity off at main circuit breaker panel before beginning installation.

## 4329

\*\*\*\*\*

**WARNING** - If any Special Control Devices are used with this Fixture, Follow the Instructions Carefully to assure full compliance with N.E.C. requirements. If there are any questions, contact a Qualified Electrical Contractor.

**CAUTION** - All glass is fragile, use care when handling Glass component(s) and or Lamp(s).

**WARNING** - This product contains chemicals known to the State of California to cause cancer, birth defects and /or other reproductive harm. Thoroughly wash hands after installing, handling, cleaning, or otherwise touching this product.

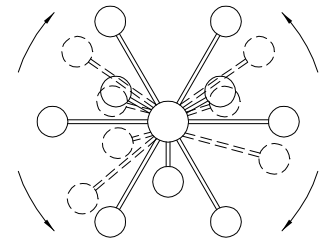
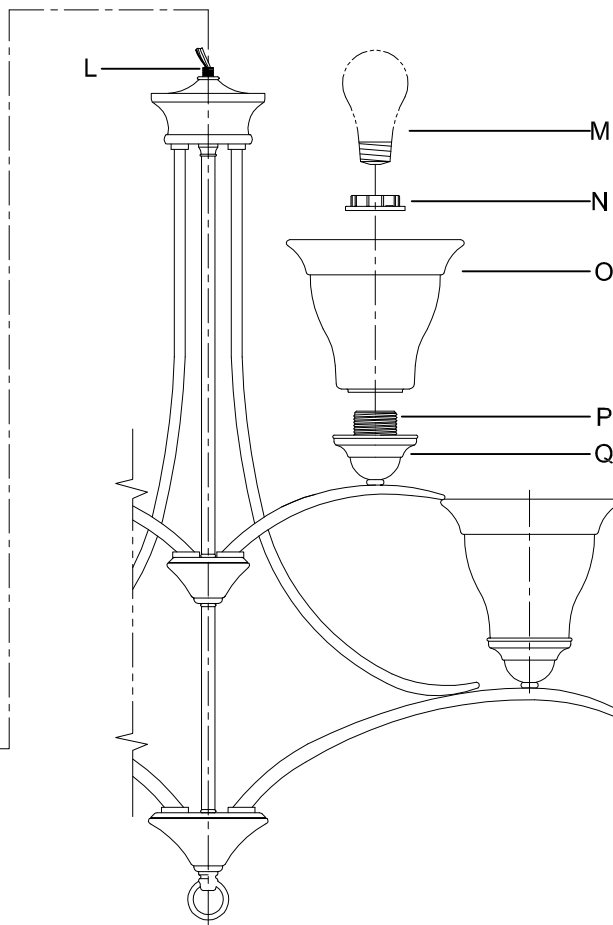
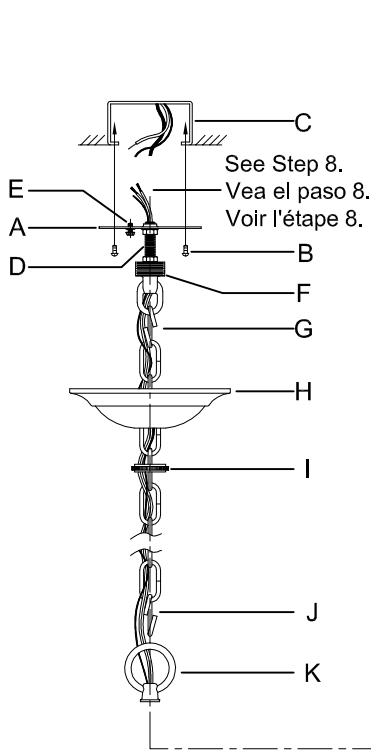
\*\*\*\*\*

**ASSEMBLY STEPS:**

- |        |   |   |  |   |   |
|--------|---|---|--|---|---|
| 1. D,E | → | A | 8. Thread Fixture Wires Up Through Chain, (I), (H), (F) & (D). Trim Wires To Extend 6-Inches (15.5cm) Above (A). Strip Wire Insulation 1/2-Inch (1.5cm). Connect Fixture Wires To Supply Wires As Shown On Wiring Diagram. |   |   |
| 2. B,A | → | C |  |   |   |
| 3. F   | → | D | 9. H,I   | → | F |
| 4. K   | → | L | 10. O  | → | Q |
| 5. J   | → | K | 11. N  | → | P |
| 6. I,H | → | G | 12. M  | → | P |
| 7. G   | → | F |  |   |   |

B, C & M  
(NOT FURNISHED)  
(NO INCLUIDA)  
(NON FOURNIE)

\*\*\*\*\*



**DIAGRAM - A**

