

ACTUAL SIZE

NOTES:

1. TORQUE SPEC. TIGHTENING FORCE 12-21 IN-LBS
2. SURFACE FINISH: SPE SPI#3
3. THREAD SPEC.: YORKER BUTTRESS FORM 1 1/4 TURNS OF FULL THD.

DISCLAIMER

THIS INFORMATION IS PROVIDED AS A GENERAL GUIDE, INCLUDING DIMENSIONS. IT IS THE CUSTOMER'S RESPONSIBILITY TO SELECT THE PROPER CONTAINER FOR PRODUCT AND APPLICATION COMPATIBILITY.

DISTRIBUTED BY:

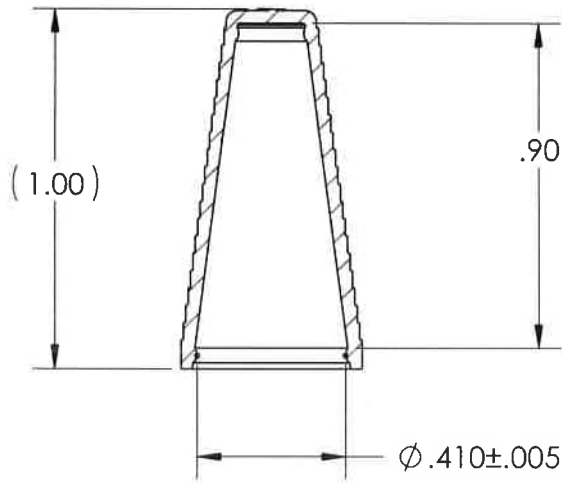


REF NO.:

DWG31837

DESCRIPTION:

28-400 PP Plastic Yorker Cap, No Orifice, w/ Long Red Tip




SECTION A-A



ACTUAL SIZE

- NOTES:
 1. SURFACE FINISH: SPE SPI #3

<p>DISCLAIMER</p> <p>THIS INFORMATION IS PROVIDED AS A GENERAL GUIDE, INCLUDING DIMENSIONS. IT IS THE CUSTOMER'S RESPONSIBILITY TO SELECT THE PROPER CONTAINER FOR PRODUCT AND APPLICATION COMPATIBILITY.</p>	<p>DISTRIBUTED BY:</p> 	<p>REF NO.:</p> <p>DWG31837</p>
<p>DESCRIPTION:</p> <p>28-400 PP Plastic Yorker Cap, No Orifice, w/ Long Red Tip</p>		