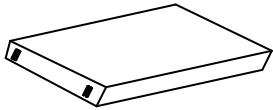


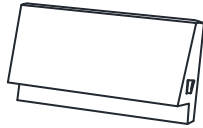
ASSEMBLY INSTRUCTION

A Seat Frame



1pc

B Back Frame



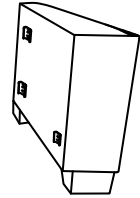
1pc

C Left Panel



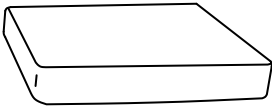
1pc

D Right Panel



1pc

E Seat Cushion



2pcs: 38.58" × 31.1" × 9.25"

3pcs: 26.38" × 31.1" × 9.25"

F Back Cushion



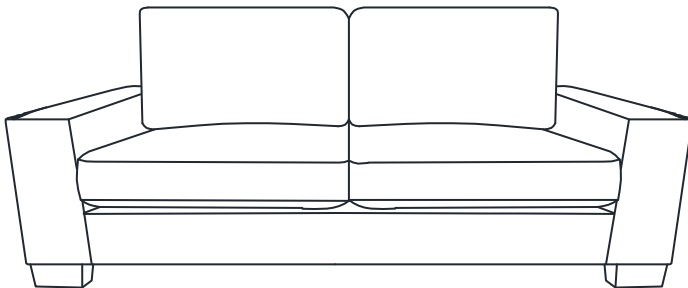
2pcs: 38.58" × 18.9" × 9.06"

3pcs: 26.38" × 18.9" × 9.06"

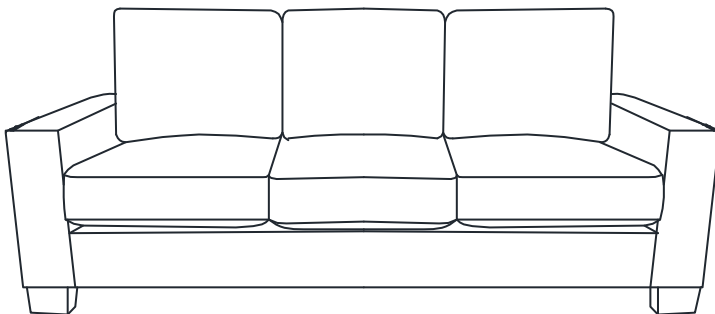
G Plastic Leg



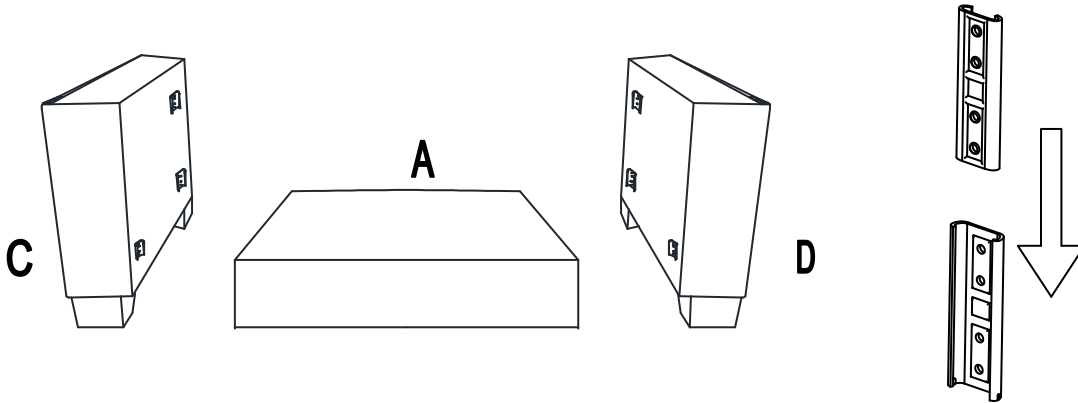
2pcs



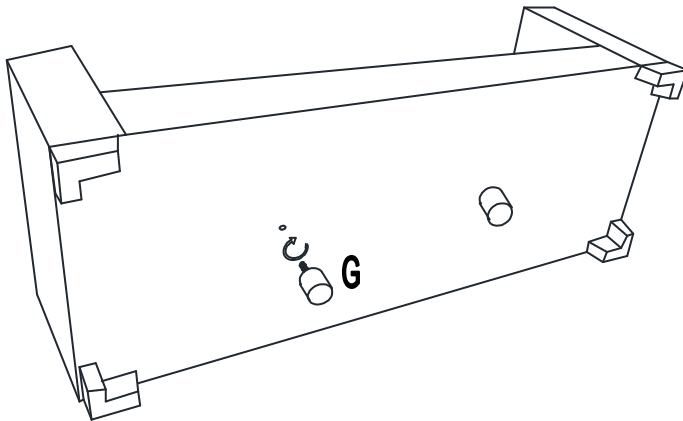
This page lists all the contents included in the box. As you unpack and prepare for assembly, place the contents on a carpeted or padded area to protect them from damage.



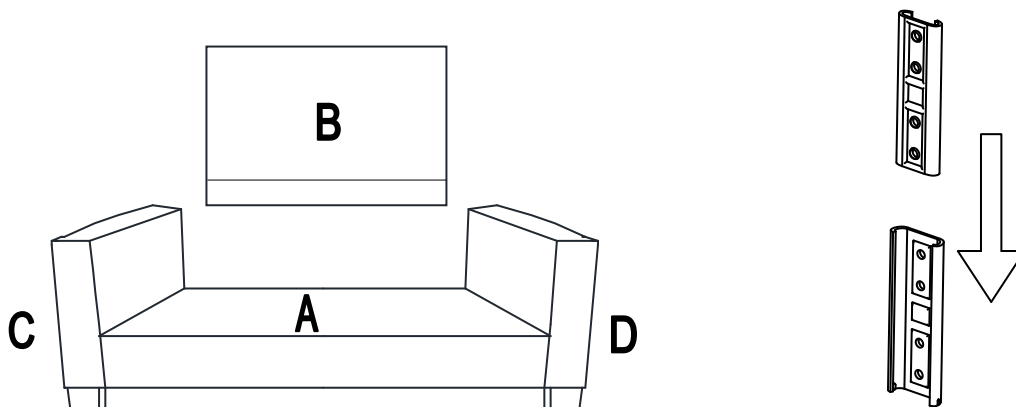
1 Hook on the Left Panel (C) & Right Panel (D) to Seat Frame (A) properly.



2 Assembly the Plastic Leg (G) at the bottom of Seat Frame (A) as picture showing.

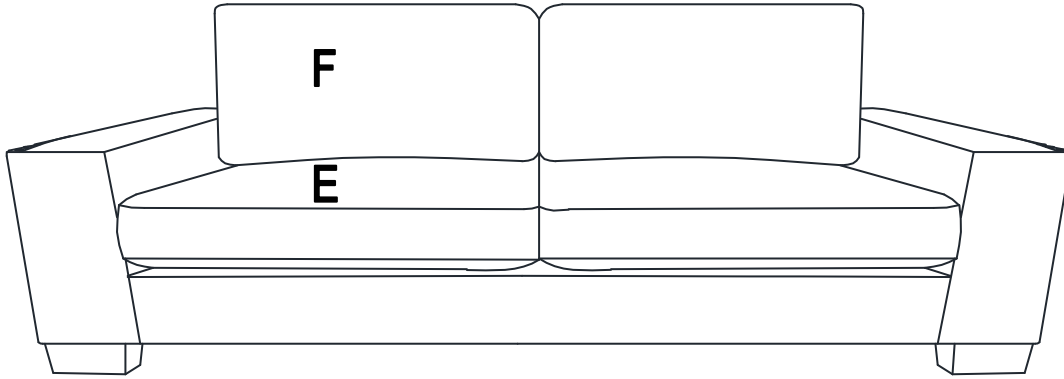


3 Hook on the Back Frame (B) to Left Panel (C) & Right Panel (D) properly.

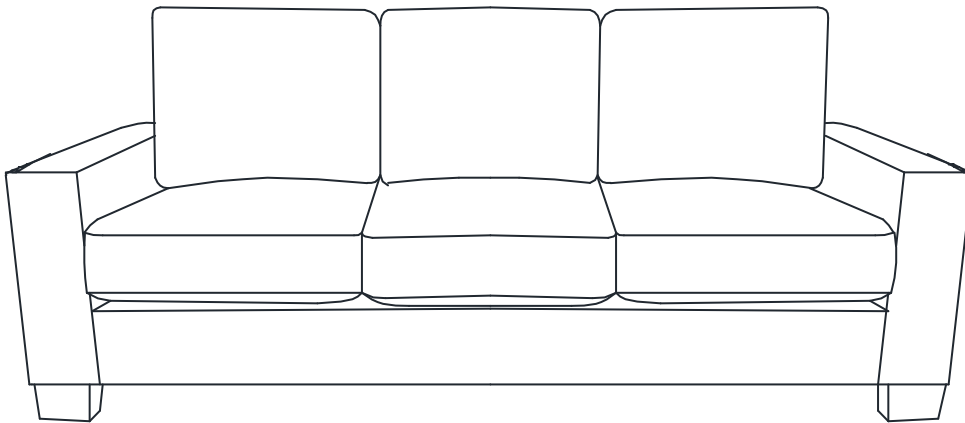


4

Place Seat Cushion (E) and Back Cushion (F) on the chair properly.



PS. There is another section for select as below shown. Thank you.



Cleaning & Care

Treat surface with care. Surface is resistant to scratches but is not scratch resistant. Clean surfaces with a dry or damp soft cloth. Do not use abrasive cleaners.