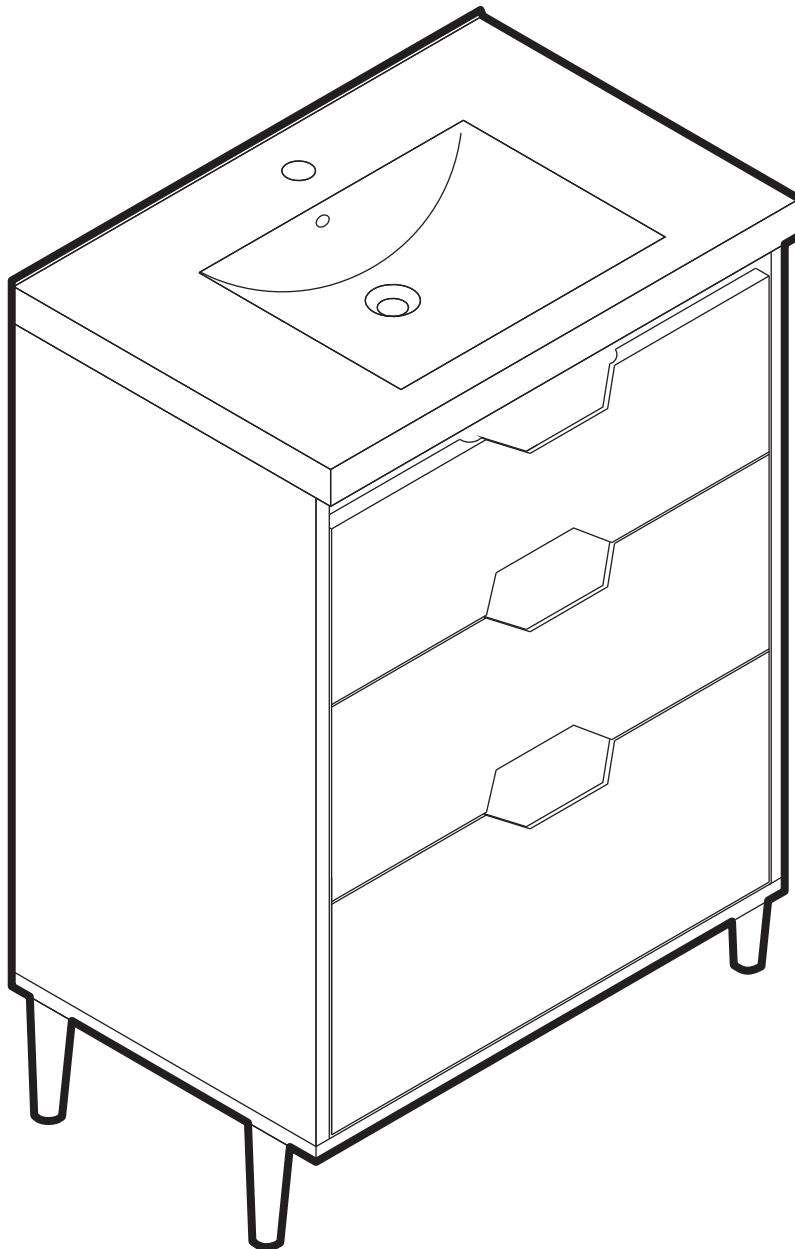


Freestanding Vanity

INSTALLATION INSTRUCTIONS





PRIOR TO INSTALLATION:

- Inspect product to ensure no damages have occurred while in shipping.
- Observe all plumbing and building codes in accordance with your state and local requirements.
- Floor must be level prior to installation of vanity.
- All dimensions are nominal! Be sure to measure your vanity prior to installation.
- The step-by-step guidelines in the installation instructions are a general reference. Should there be any discrepancies, Swiss Madison cannot be held liable. It is recommended to install all Swiss Madison products by hiring a licensed professional.
- Read installation and maintenance instructions thoroughly before installing. Be sure to use proper tools and always wear proper personal safety accessories for your protection.

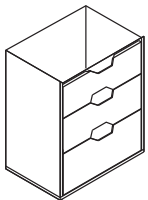
QUESTIONS OR CONCERNS?

Please contact us:

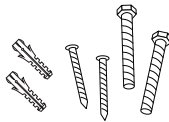
1-434-623-4766

info@swissmadison.com

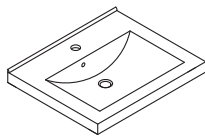
INCLUDED PARTS:



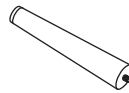
Vanity Base



Hardware



Vanity Sink



Legs

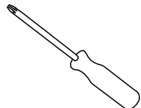
SUGGESTED TOOLS & MATERIALS:



Safety Glasses



Gloves



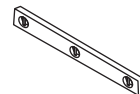
Screwdrivers



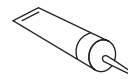
Silicone



Drop Cloth



Level



Adhesive

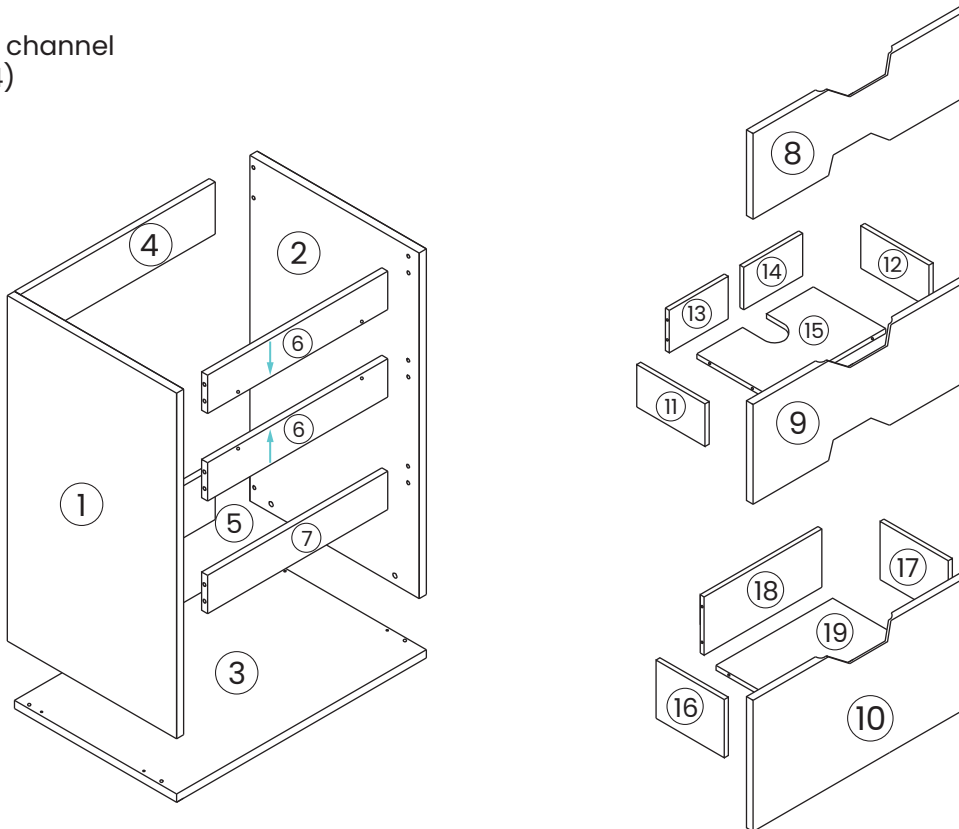
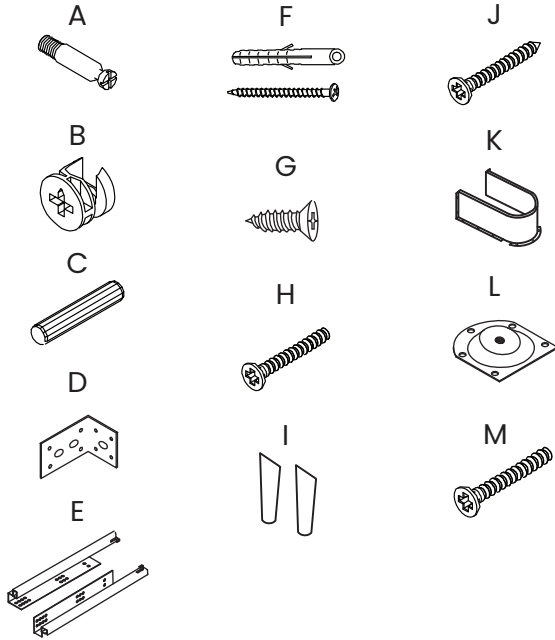


Drill

Parts for Reference:

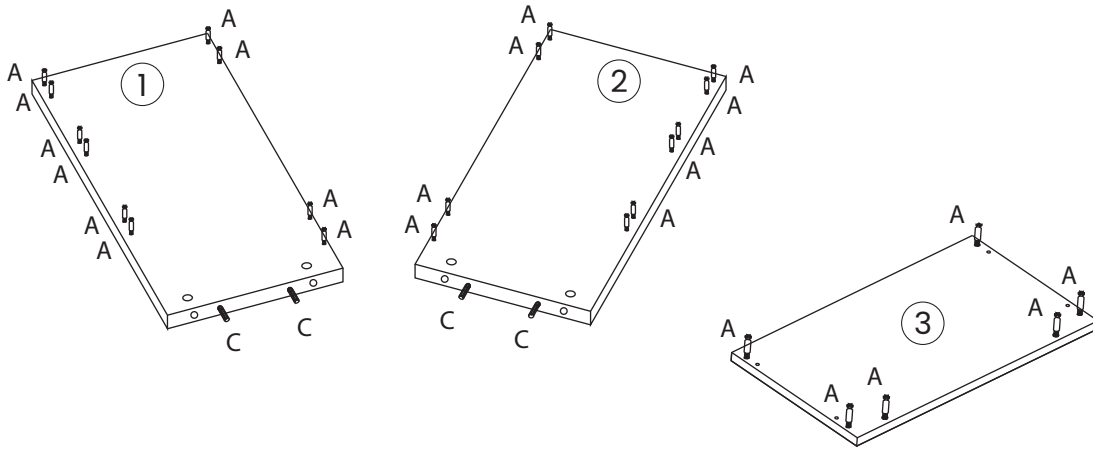
1. Left side panel
2. Right side panel
3. Base panel
4. Rear top bar
5. Rear bottom bar
6. Drawer bar (2)
7. Large drawer bar
8. Faux drawer panel
9. Small drawer front panel
10. Large drawer front panel
11. Small drawer left panel
12. Small drawer right panel
13. Left back panel
14. Right back panel
15. Small drawer bottom panel
16. Large drawer left panel
17. Large drawer right panel
18. Large drawer back panel
19. Large drawer bottom panel

- A. Cam bolt
 B. Cam lock
 C. Wooden dowels
 D. Brackets
 E. Drawer Slides
 F. Screw & plastic anchor
 G. Screws
 H. Screws
 I. Legs (4)
 J: Screws
 K: Inner drawer channel
 L: Leg mount (4)
 M: Screws



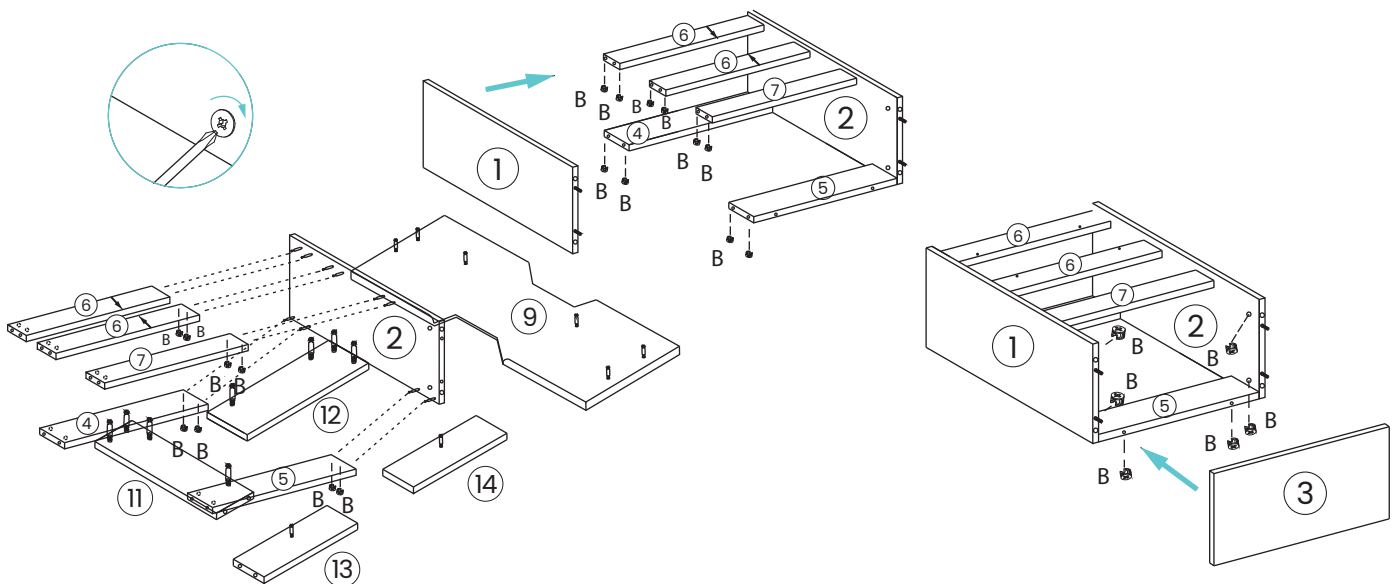
1 Prepare Cabinet Panels

- Insert 2 wooden dowels (C) into the bottom of the left side panel (1) as shown. Screw 10 cam bolts (A) into the left side panel (1).
- Screw 6 cam bolts (A) into the base panel (3) as shown.



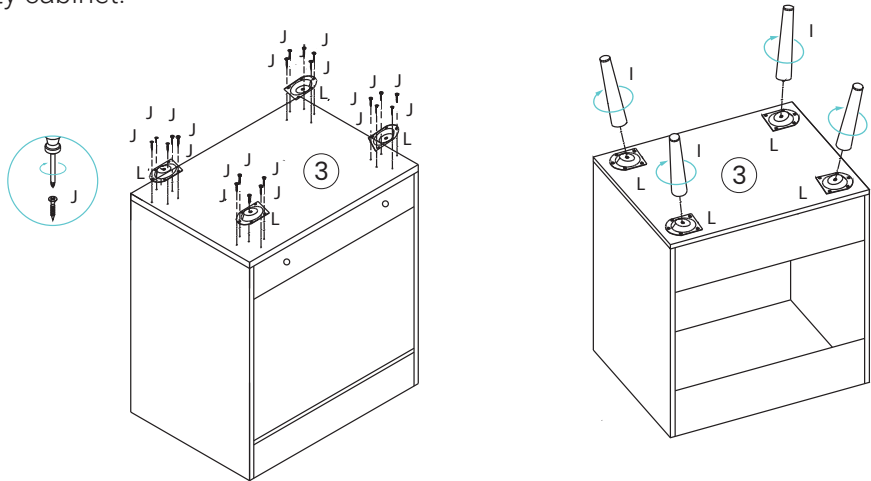
2 Assemble Cabinet Frame

- Connect the 2 drawer bars (6), the large drawer bar (7), the rear top bar (4) and the rear bottom bar (5) to the right side panel (2) as shown. Secure each bar into place by using 2 cam locks (B) each.
- Attach the left side panel (1) to the 2 drawer bars (6), large drawer bar (7), the rear top bar (4) and the rear bottom bar (5) as shown. Secure into place by using 2 cam locks (B) per bar as shown.
- Attach the base panel (3) to the bottom of the frame as shown. Use 6 cam locks (B) to secure in place as shown.



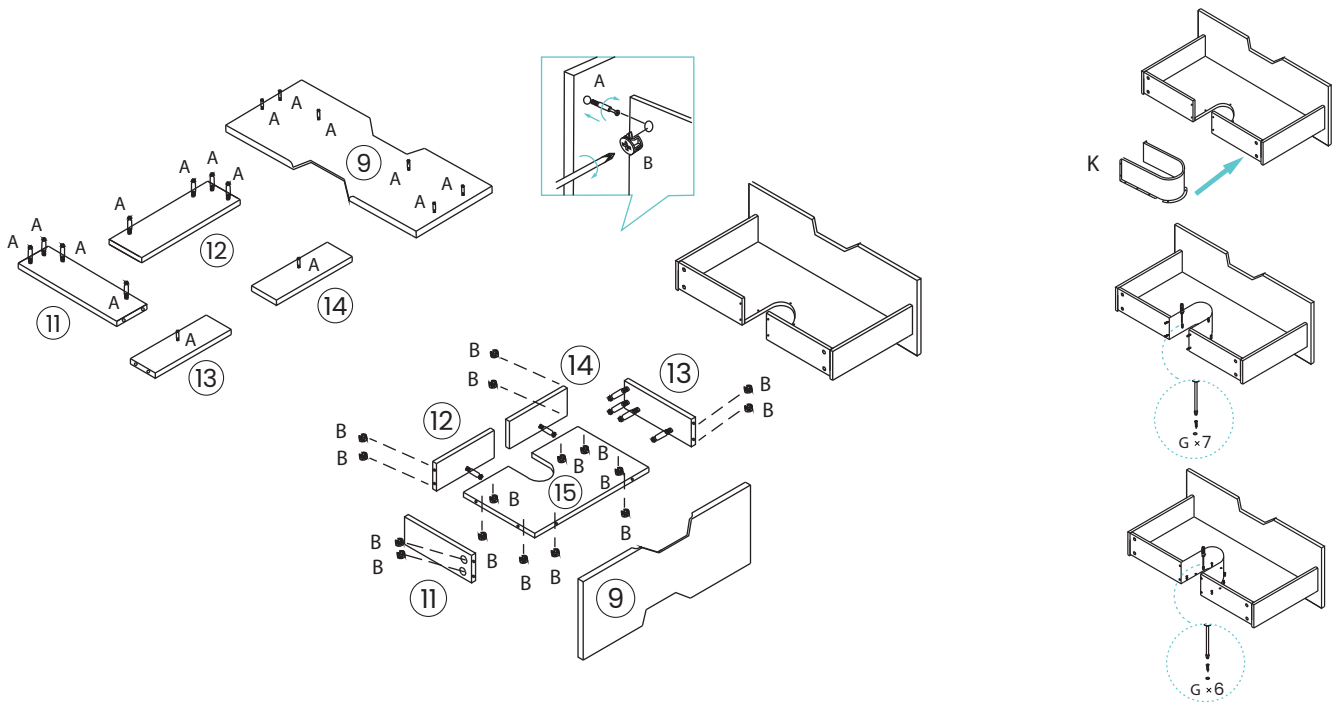
3 Attach Legs

- Flip vanity cabinet upside down so base panel (3) is visible.
- Select a leg mount (L) and align in a corner of the base panel (3) with predrilled holes. Use 5 screws (J) to secure leg mount (L) into place. Repeat process for the remaining 3 leg mounts (L).
- Select a leg (I) and insert into the center of any of the installed leg mounts. Rotate leg (I) as shown to tighten and secure leg into place. Repeat for all 3 remaining legs (I).
- Reorient vanity cabinet.



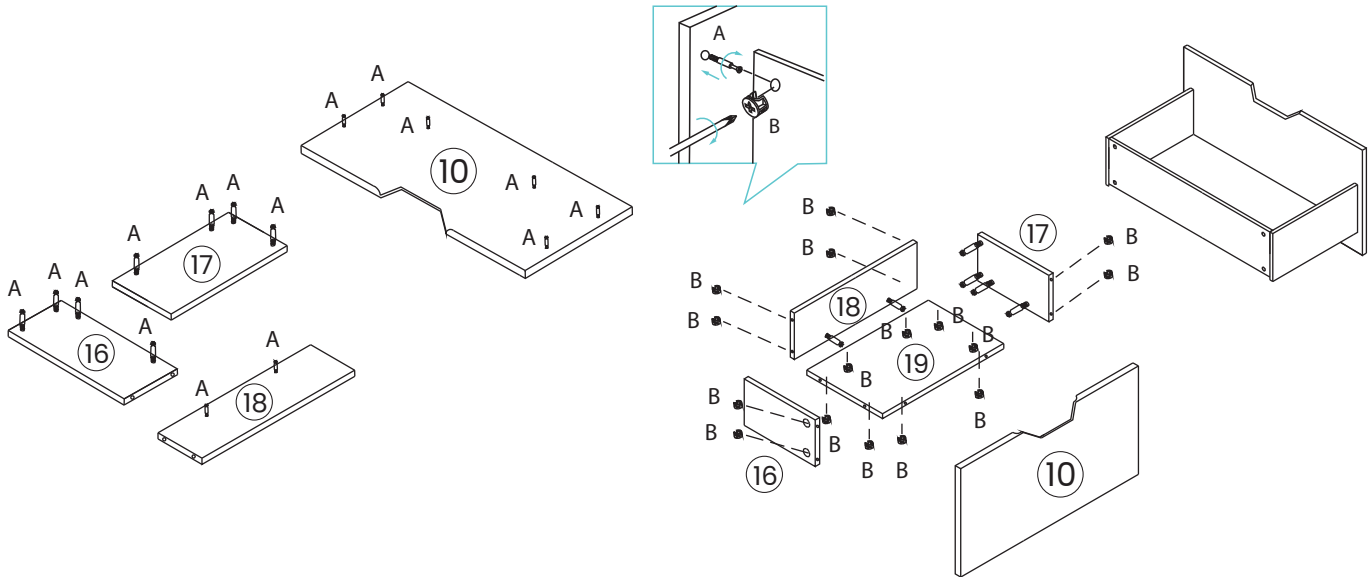
4a Assemble Small Drawer

- Screw a cam bolt (A) into the left back drawer panel (13) and right back drawer panel (14). Screw 4 cam bolts (A) into both the small drawer left panel (11) and the small drawer right panel (12). Screw 6 cam bolts (A) into the small drawer front panel (9).
- Connect the small drawer panels (9, 11, 12, 13, 14) to the small drawer bottom panel (15) as shown. Secure into place using 16 cam locks (B) as shown.
- Slide the inner drawer channel (K) into the cutout of the small drawer bottom panel (15) as shown. Use 7 screws (G) to secure the inner drawer channel (K) to the small drawer as shown. Use an additional 6 screws (G) around the outside of the inner drawer channel (K) as shown to finish the installation.



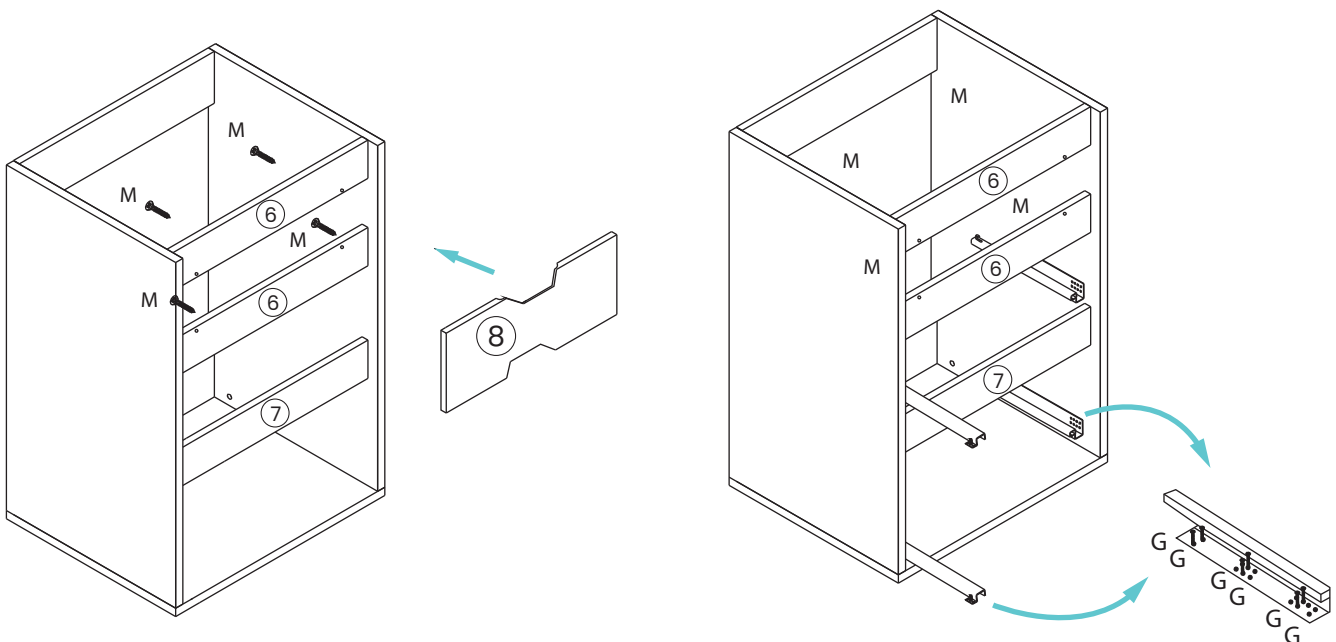
4b Assemble Large Drawer

- Screw 4 cam bolts (A) into both the large drawer left panel (16) and the large drawer right panel (17) as shown. Screw 2 cam bolts into the large drawer back panel (18). Screw 6 cam bolts (A) into the large drawer panel (10).
- Connect the large drawer panels (10, 16, 17, 18) to the large drawer bottom panel (19) as shown. Secure into place using 16 cam locks (B) as shown.



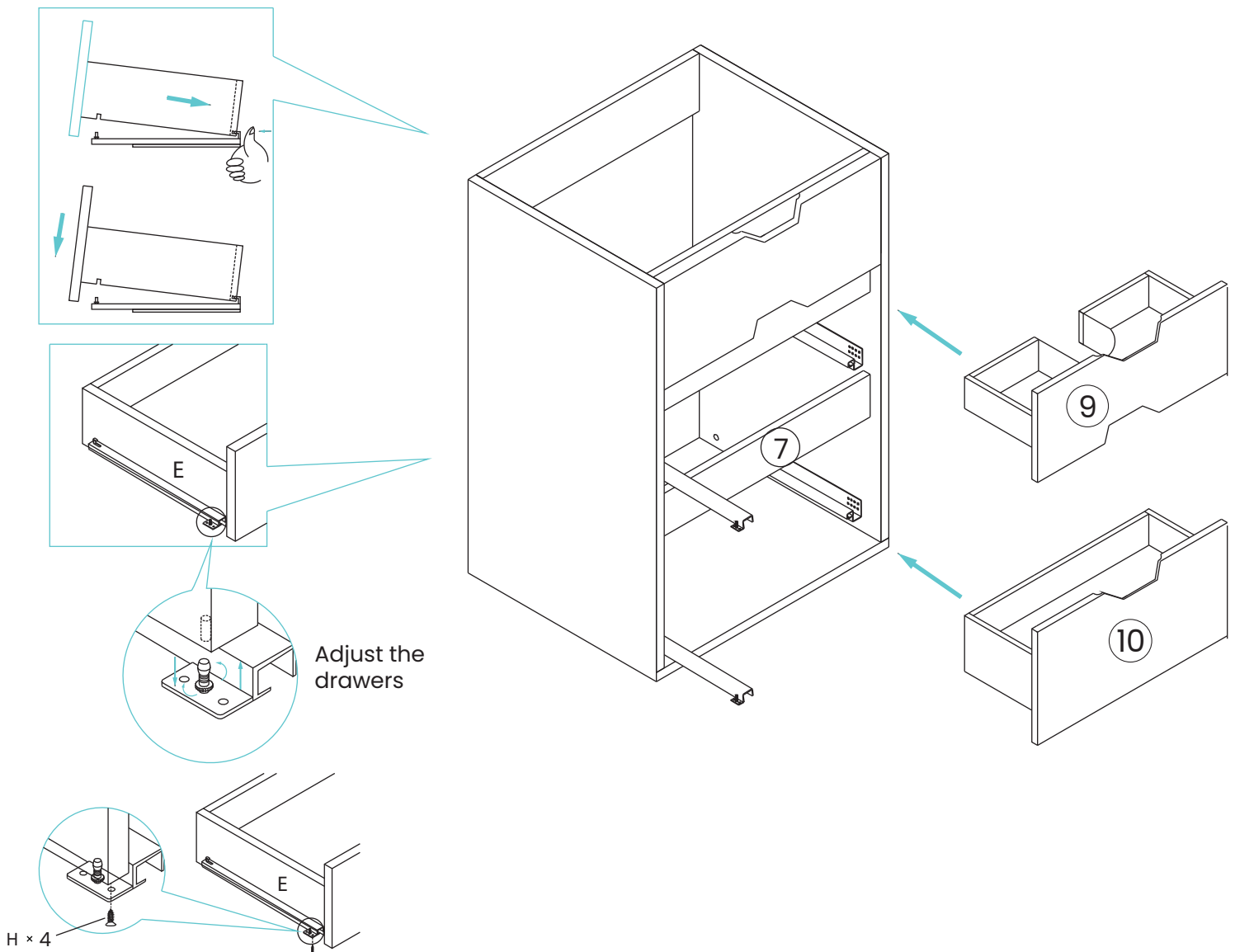
5 Install Faux Drawer Front

- Align the faux drawer panel (8) with the 2 drawer bars (6) as shown in the drawing. Use 4 screws (M) to secure into place
- Align the faux drawer slide (E) on the inside of the cabinet on the left side panel (1) as shown in the drawing. Use 6 screws (G) to secure into place. Repeat with a second drawer slide (E) and an additional 6 screws (G).
- Repeat the above process but on the right side panel (2).



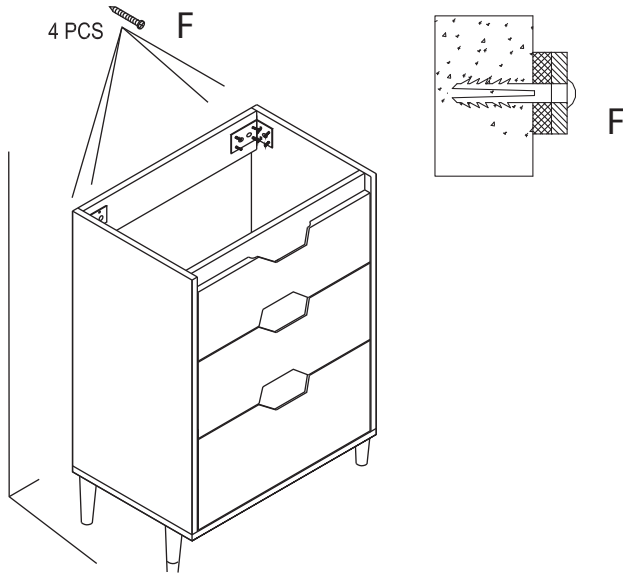
6 Install Drawers

- Take the small drawer and slide the small drawer left and right panels (13,14) onto the back hooks of the drawer slides (E) as shown in the drawing. Align the front of the drawer with the front of the slide as shown and slide into place. Secure the small drawer to the drawer slide (E) using 1 screw (H) per side.
- Take the large drawer and slide the large drawer back panel (18) onto the back hooks of the drawer slides (E) as shown in the drawing. Align the front of the drawer with the front of the slide as shown and slide into place. Secure the small drawer to the drawer slide (E) using 1 screw (H) per side.



7 Secure Vanity to Wall

- Attach 2 metal brackets (D) to the rear top bar (4) using 16 screws (G).
- Mark desired mounting location on wall and ensure placement is level.
- Select installation option 1 or 2.



Option 1: Securing to Drywall

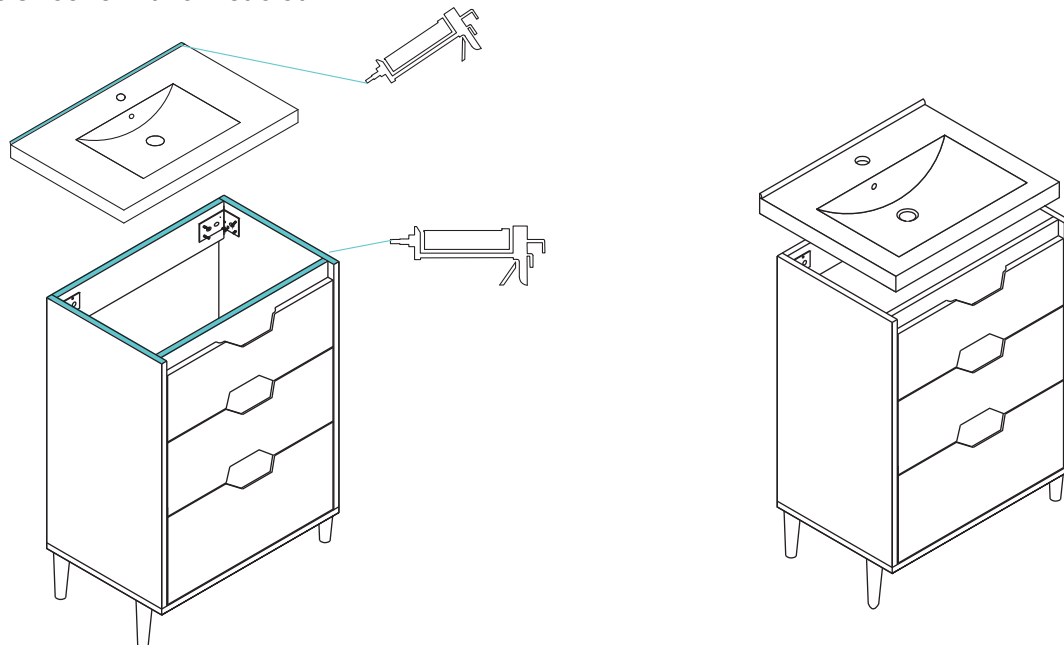
- Position cabinet against wall in desired location.
- Using a pencil, make a mark on the wall through the holes in each bracket (D).
- Move cabinet away from the wall. Create a pilot hole in each mark on the wall, then insert the plastic anchor (F).
- Place cabinet against the wall, insert a screw (F) through the metal bracket (D) into each hole in the wall, then tighten to plastic anchors (F) to secure the vanity.

Option 2: Securing to Drywall & Wood Stud

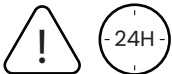
- Position cabinet against wall in desired location, be sure desired mounting location aligns with existing wood studs.
- Insert screw (F) through the holes in the metal bracket (D), then tighten through the drywall into the wood stud. Repeat this step for the other metal bracket (D) to secure the vanity.

8 Vanity Top Installation

- Install faucet and drain according to manufacturer's installation instructions. Do not overtighten, this may cause the sink to crack.
- Set the vanity top on top of the vanity base, checking the location of the p-trap and drain.
- Remove vanity top from vanity base. Apply a thin bead of silicone around the vanity base and set the vanity top carefully in place.
- Remove excess silicone with a wet cloth.



Wait 24 hours before use.



ONE-YEAR LIMITED WARRANTY

Swiss Madison® products are made with quality materials and excellent craftsmanship to provide our customers with beautiful, durable, long-lasting products. Should there be any defects in materials or craftsmanship under regular use that are discovered within the first year after delivery, Swiss Madison® will provide replacement parts at no charge, or at its discretion, replace any product or part of the product that is deemed defective, under normal installation, use, service or maintenance. This warranty applies only to the original purchaser. Proof of purchase must be submitted with any warranty claim.

Swiss Madison® recommends that all installations of Swiss Madison® products to be conducted by a licensed plumber or contractor. Swiss Madison® will not be held responsible for any damage or product failure due to improper installation, misuse, or failure to utilize a licensed plumber or contractor for installation. Swiss Madison® is not responsible for any installation or removal costs.

THIS ONE-YEAR LIMITED WARRANTY WILL BE VOIDED IF:

- The installation instructions were not followed by the installer
- The product has been moved from its initial place of installation
- The product has in any way been modified from its original condition
- The product has been subjected to improper maintenance, abuse, misuse, excessive use of chemicals, accidents, or other damages

Swiss Madison® makes no warranty that its products comply with any local building or plumbing codes. It is the consumer's responsibility and obligation to determine local code compliance prior to and during installation.

Swiss Madison® is not responsible for any special, incidental or consequential damages associated with the installation, replacement, return or use of the original purchaser's product. This includes, but is not limited to: freight costs, labor, travel time, lost profit, home damages and other contingent liabilities and costs (including, without limitation, costs associated with 'professionals' or 'experts', investigations, audits, analyses, attorneys and any other professional/hired services). Some states do not allow the exclusion or limitation of incidental or consequential damages, so the above limitation or exclusion may not apply to you.

The Swiss Madison® warranty is a comprehensive and explicit limit of liability. All other warranties are hereby disclaimed and waived.

QUESTIONS OR CONCERNS? Please contact us directly at: 1-434-MADISON (623-4766)



WARNING:

Contents of your order may contain sharp and possibly other harmful pieces and may cause hazard to children and adults. Swiss Madison® is not responsible in any way for personal injuries or damages.