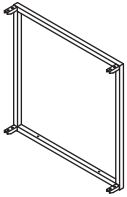
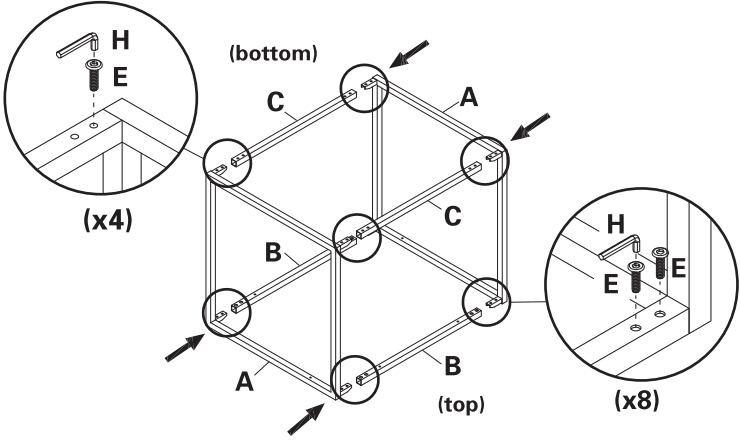
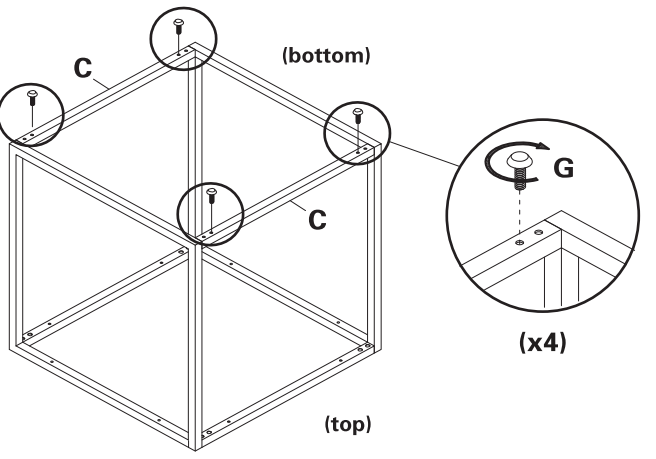



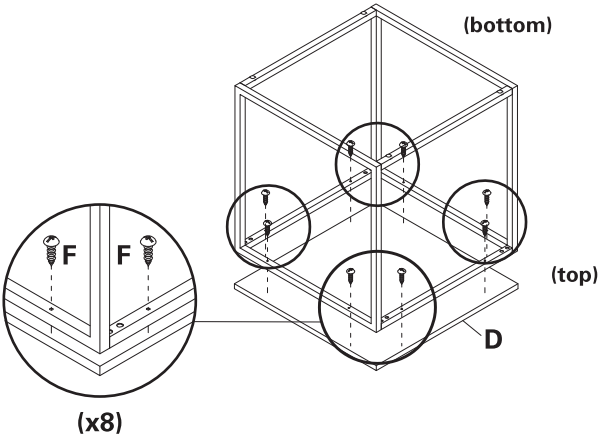
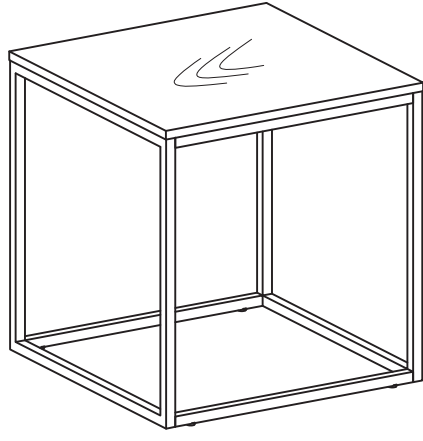
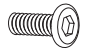

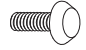



# BRADFORD MODERN FARMHOUSE END TABLE

## ASSEMBLY INSTRUCTIONS

FIRSTIME & CO.<sup>®</sup>  
— AMERICAN DESIGNED —

PARTS		STEP 1	STEP 2
<b>A</b>  2 PC		<b>STEP 1</b> Attach rods (B + C) to end frames (A). 	<b>STEP 2</b> Attach feet (G) to rods (C). 
<b>B</b>  2 PC			
<b>C</b>  2 PC			
<b>D</b>  1 PC		<b>STEP 3</b> Attach table top (D) to frame. 	<b>FULLY ASSEMBLED</b> 
<b>E</b>  12 PC	<b>F</b>  8 PC		
<b>G</b>  4 PC	<b>H</b>  1 PC		

NOTE: PHILIPS HEAD SCREWDRIVER NEEDED FOR ASSEMBLY.