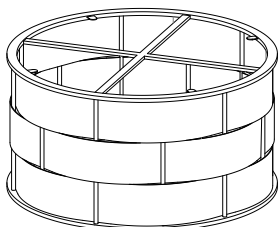


# ASSEMBLY INSTRUCTION

## E360-30(3A) SANDY NICKEL BARREL COCKTAIL TABLE WITH MIRROR TOP

**A** Metal Base



1pc

**B** Mirror Top



1pc

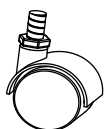
**C** Mirror Pad

12mm



9pcs

**D** Caster



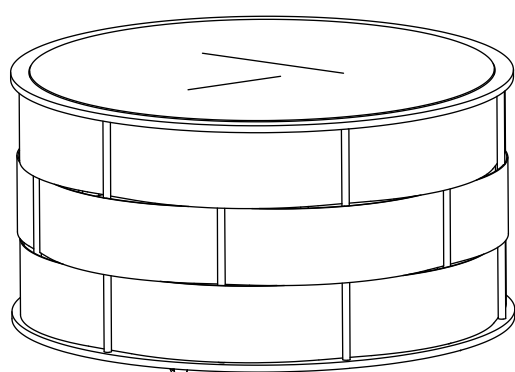
4pcs

**E** Open Wrench

13mm



1pc



This page lists all the contents included in the box. Please take the time to identify the hardware as well as the individual components to this product. As you unpack and prepare for assembly, place the contents on a carpeted or padded area to protect them from damage.

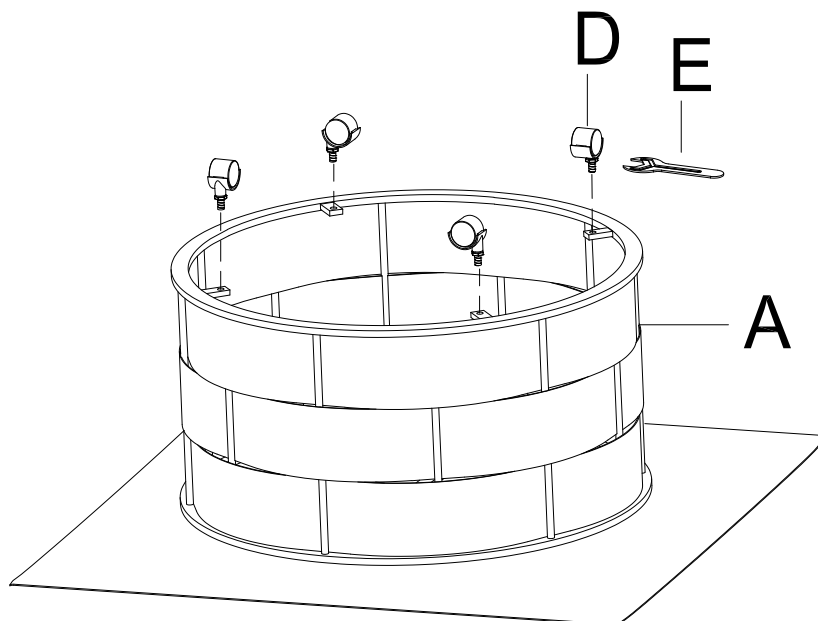
## Care and Cleaning Instructions:

Before using, wipe with a clean, dry cloth.

Avoid rubbing or scratching the surface with rough or abrasive objects.

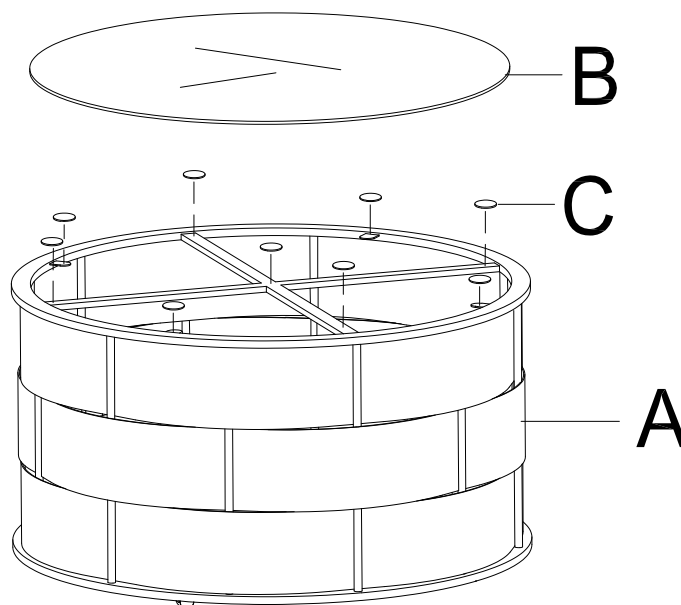
**1**

Attach caster (D) to the metal base (A) by using open wrench (E) as shown.



**2**

Turn the assembled unit upright. Put mirror pads (C) onto metal base (A) before putting the mirror top (B) as shown below.



## Cleaning & Care

Treat surface with care. Surface is resistant to scratches but is not scratch resistant. Clean surfaces with a dry or damp soft cloth. Do not use abrasive cleaners. Hardware may loosen over time. Periodically check that all connections are tight.