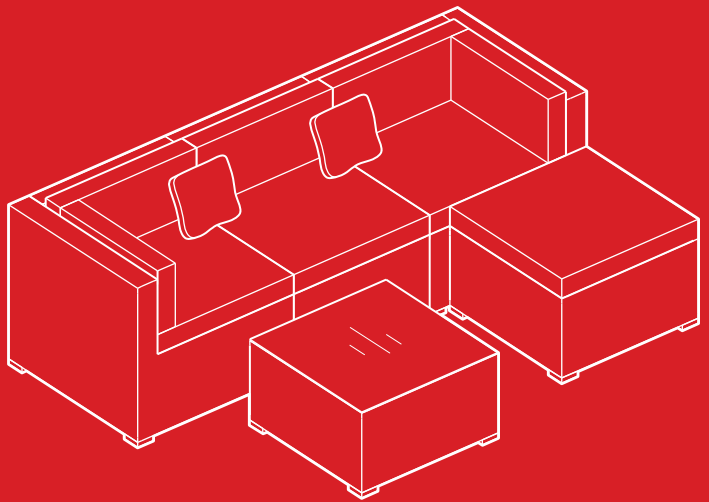




bestchoiceproducts



INSTRUCTION MANUAL

5-Piece Wicker Sofa Set



bestchoiceproducts

As shoppers, we're always trying to find the perfect balance between quality & value. At BCP, we believe we've achieved that. Our diverse catalog of everyday essentials is tailored especially to our customers & guaranteed to hit that sweet spot of high quality & low price.

— Always. —

! NOTICE

Please retain these instructions for future reference.

- Please do not exceed the weight limitations of this item.
- Do not stand on or use any part of this item as a step ladder.
- Firmly secure all bolts, screws and knobs before use.
- Reconfirm that all bolts, screws, and knobs are secure every 90 days.
- Fasten screws loosely during initial assembly. Do not firmly tighten the screws until the item is completely assembled.
- Do not use or store this item in the proximity of open flame or flammable/combustible chemicals.
- Be aware that some parts are heavy and have sharp edges.
- If any parts are missing, broken, damaged, or worn, stop using this product until repairs are made and/or factory replacement parts are installed.
- Do not use this item in a way inconsistent with the manufacturer's instructions as this could void the product warranty.

TOOLS REQUIRED



ALLEN WRENCH
(PROVIDED)



WRENCH
(PROVIDED)



TABLE
130 LBS
CAPACITY



CHAIR
360 LBS
CAPACITY

HARDWARE

1 M6 X 60MM
BOLT & NUT
SET

28 PCS

2 M6 WASHER

72 PCS

3 M6 X 40MM
BOLT

16 PCS

4 SECTIONAL
CLIPS

6 PCS

PARTS

A RIGHT BACK PANEL

1 PC

A1 LEFT BACK PANEL

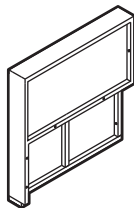
1 PC

B RIGHT CORNER PANEL

1 PC

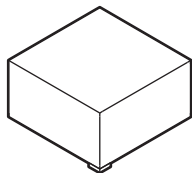
PARTS

B1 LEFT CORNER PANEL



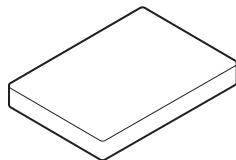
1 PC

C CORNER SEAT FRAME



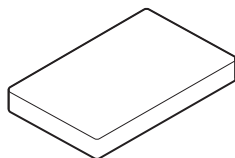
2 PCS

D BACK CUSHION



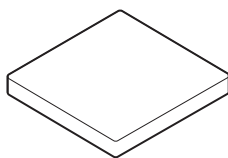
3 PCS

E SIDE CUSHION



2 PC

F SEAT CUSHION



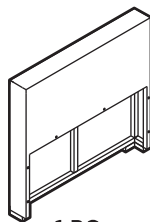
4 PCS

G ACCENT PILLOW



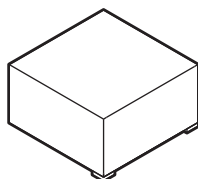
2 PCS

H MIDDLE BACK PANEL



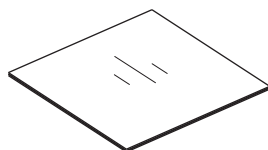
1 PC

I MIDDLE SEAT FRAME



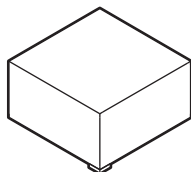
1 PC

J GLASS TABLETOP



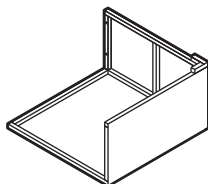
1 PC

K STOOL FRAME



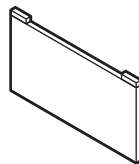
1 PC

K1 TABLE FRAME



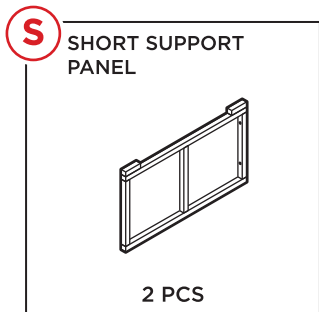
1 PC

L LONG SUPPORT PANEL



2 PCS

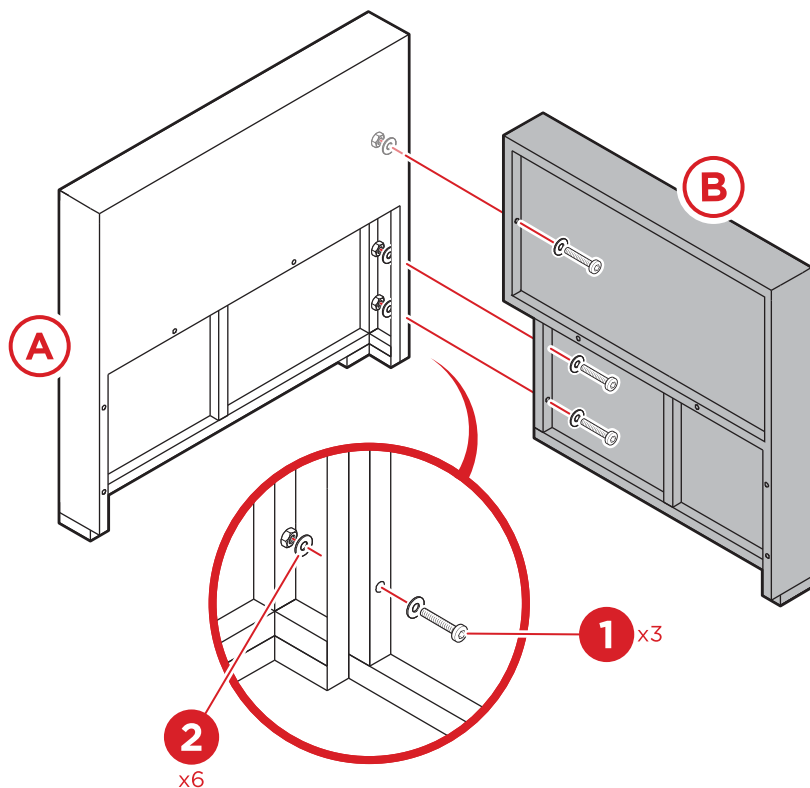
PARTS



RIGHT CORNER SEAT

1

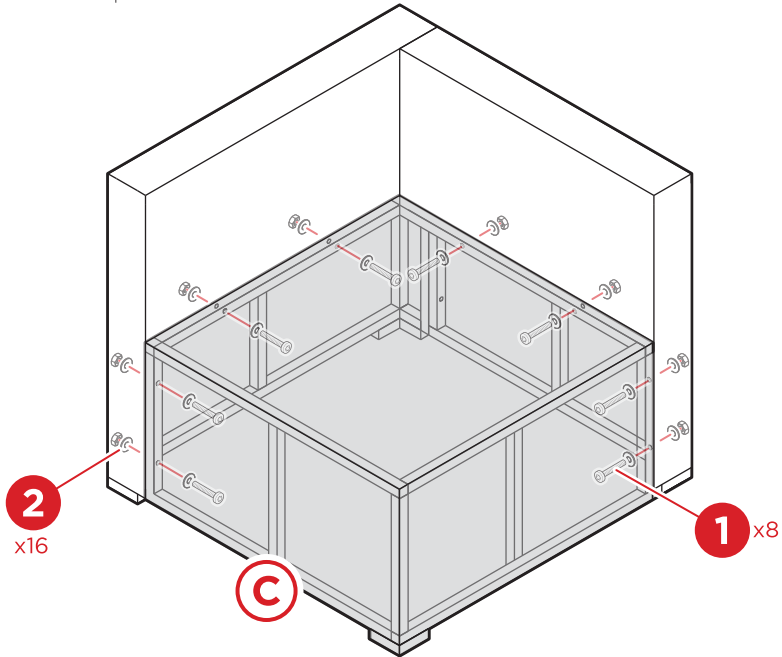
Attach one part A right back panel to a part B right corner panel with three part 1 bolt and nut sets and six part 2 washers.



RIGHT CORNER SEAT

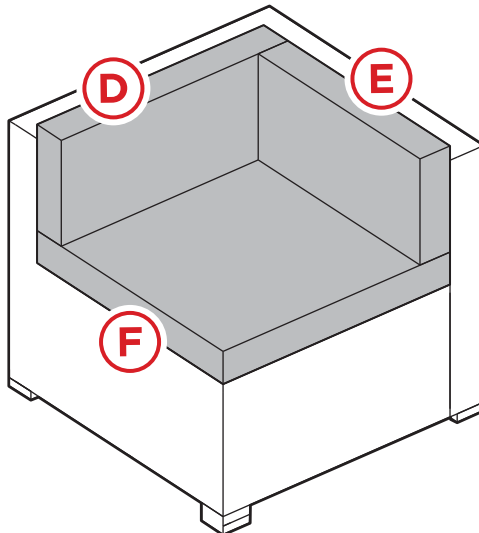
2

Attach the panel assembly to one part C corner seat frame with eight part 1 bolt and nut sets and sixteen part 2 washers.



3

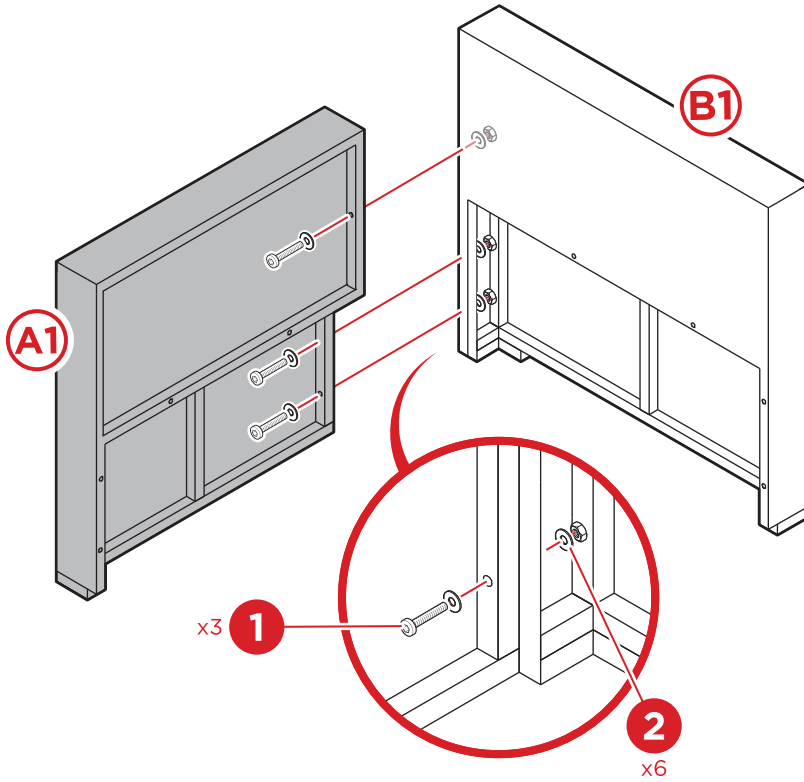
Place one part F seat cushion onto the seat then place one part D back cushion and one part E side cushion.



LEFT CORNER SEAT

1

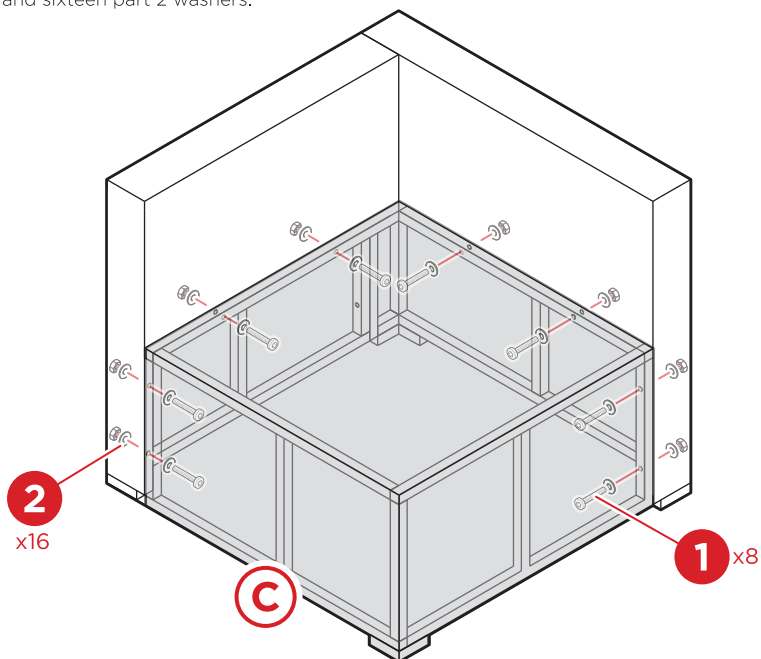
Attach one part A1 right back panel to a part B1 right corner panel with three part 1 bolt and nut sets and six part 2 washers.



LEFT CORNER SEAT

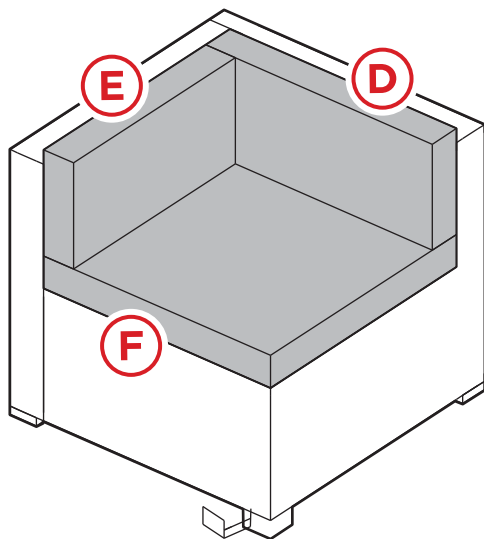
2

Attach the panel assembly to one part C corner seat frame with eight part 1 bolt and nut sets and sixteen part 2 washers.



3

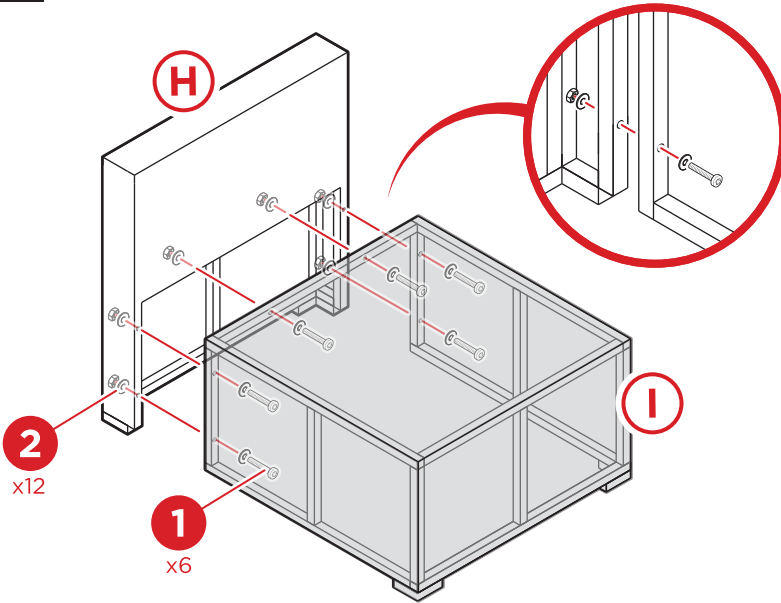
Place one part F seat cushion onto the seat then place one part D back cushion and one part E side cushion.



MIDDLE SEAT

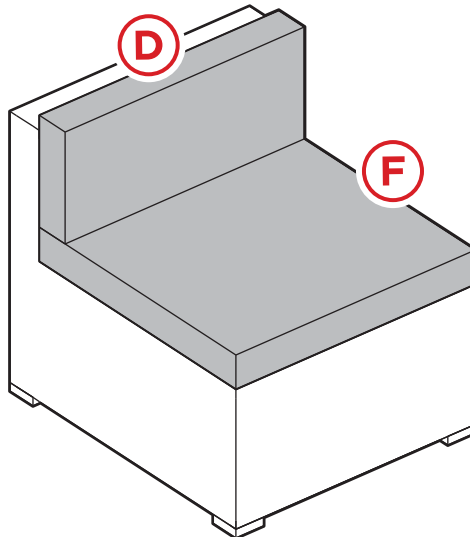
1

Attach one part H middle back panel to one part I middle seat frame with six part 1 nut & bolt sets and twelve part 2 washers.



2

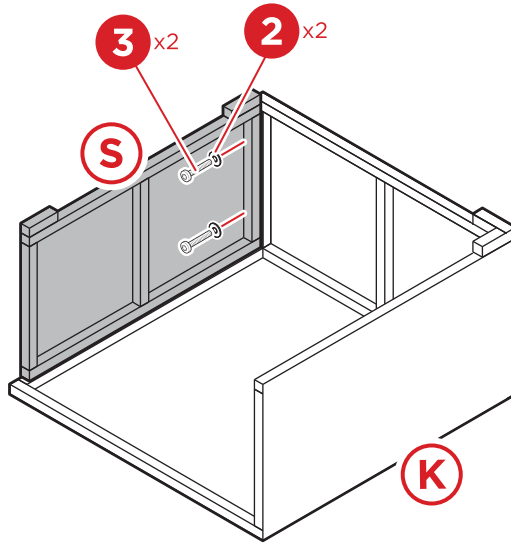
Place one part F seat cushion onto the seat then place one part D back cushion.



FOOTSTOOL

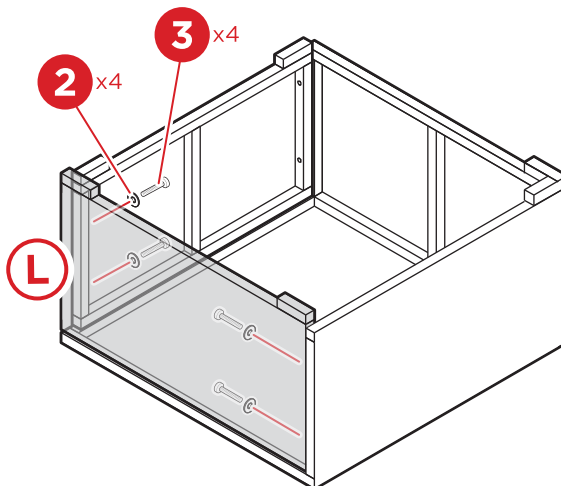
1

Attach one part S short support panel to one part K stool frame with two part 3 bolts and two part 2 washers.



2

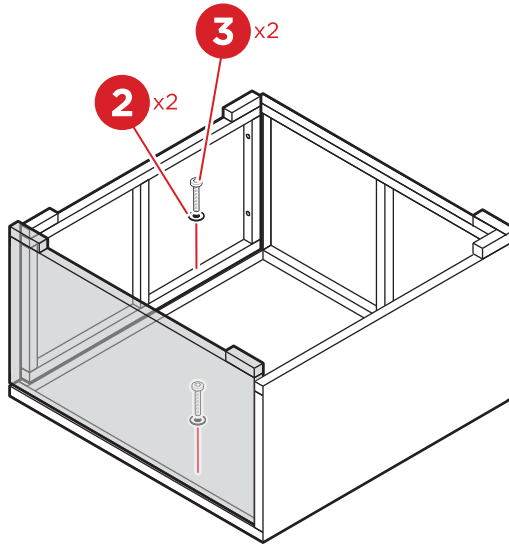
Attach one part L long support panel to the stool frame assembly with four part 3 bolts and four part 2 washers.



FOOTSTOOL

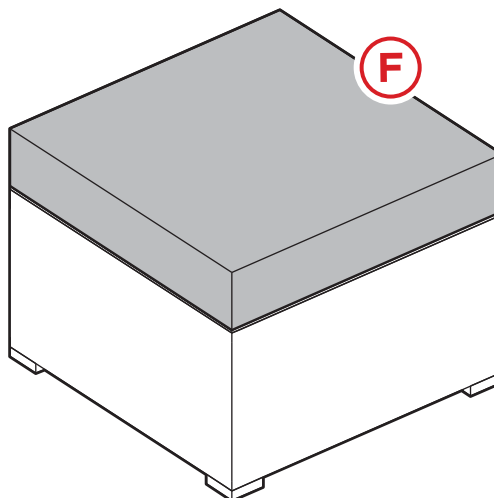
3

Secure the two panels with two part 3 bolts and two part 2 washers (one set per panel).



4

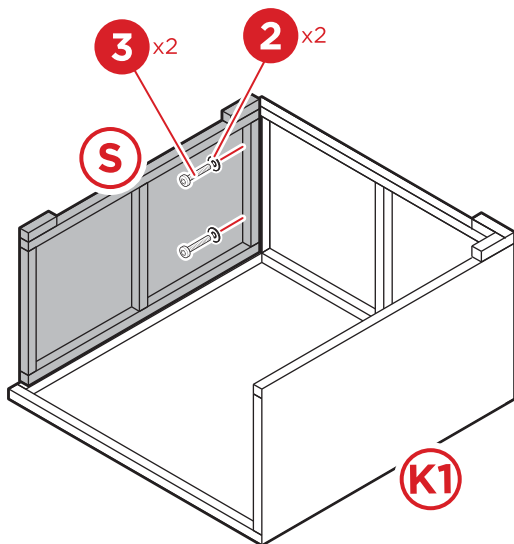
Place one part F seat cushion on top of the stool frame.



TABLE

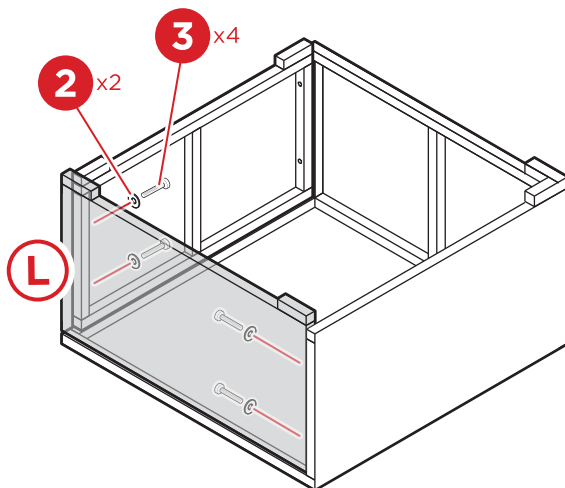
1

Attach one part S short support panel to the part K1 table frame with two part 3 bolts and two part 2 washers.



2

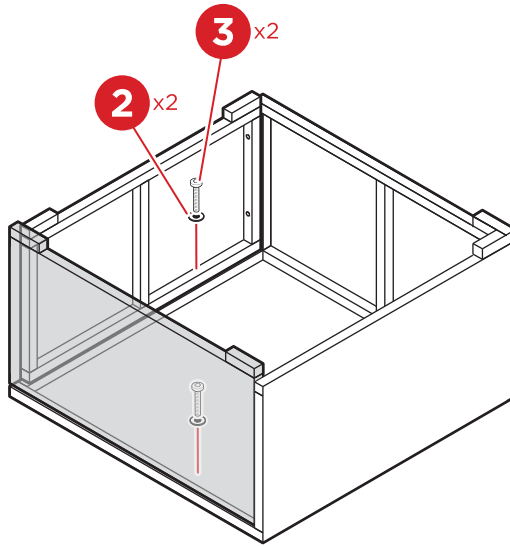
Attach one part L long support panel to the table frame assembly with four part 3 bolts and four part 2 washers.



TABLE

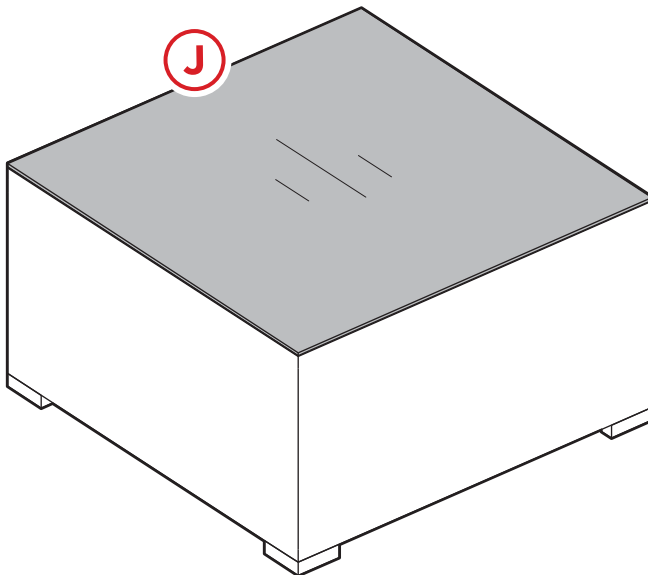
3

Secure the two panels with two part 3 bolts and two part 2 washers (one set per panel).



4

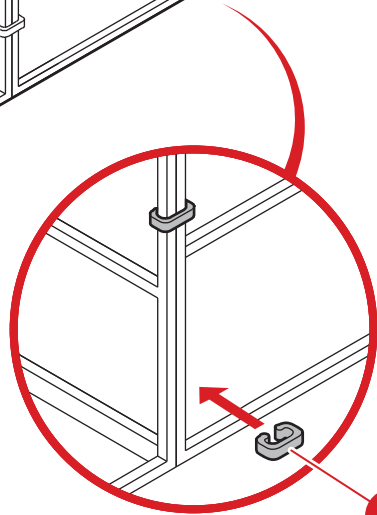
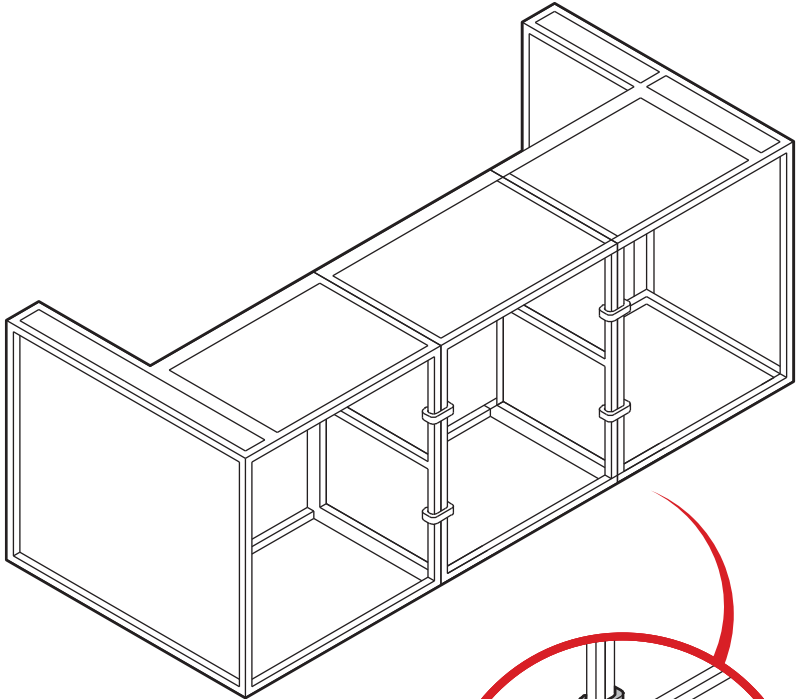
Place one part J glass tabletop on top of the table frame.



CONNECTING THE SEATS

1

Use six part 4 sectional clips to connect or disconnect the furniture as desired. Place two part G accent pillows on your desired seats.



4

x6

Earn points while you shop. Join today!

bestchoiceproducts
rewards

Join | Earn | Redeem

Give your friends 15% off their first order! For each successful referral you'll receive 100 points.

bestchoiceproducts.com



HELP CENTER



Question about your product? We're here to help. Visit us at:

help.bestchoiceproducts.com



Product Assembly



Returns & Refunds

PRODUCT WARRANTY INFORMATION

All items can be returned for any reason within 60 days of the receipt and will receive a full refund as long as the item is returned in its original product packaging and all accessories from its original shipment are included. All returned items will receive a full refund back to the original payment method. All returned items will not be charged a re-stocking fee.

All returned items require an RA (Return Authorization) number, which can only be provided by a Best Choice Products Customer Service Representative when the return request is submitted. Items received without an RA may not be accepted or may increase your return processing time. Once an item has been received by Best Choice Products, refunds or replacements will be processed within 5 business days.

All returns must be shipped back to the Best Choice Products Return Center at the customer's expense. If the reason for return is a result of an error by Best Choice Products then Best Choice Products will provide a pre-paid shipping label via email. Boxes for return shipping will not be provided by Best Choice Products, and is the customer's responsibility to either use the original shipping boxes or purchase new boxes.

Pictures may be required for some returns to ensure an item is not damaged prior to its return. Items returned are not considered undamaged until they are received by Best Choice Products and verified as such. All damages to items are the customer's responsibility until the item has been received by and acknowledge by Best Choice Products as undamaged.

WARNING

Manufacturer and seller expressly disclaim any and all liability for personal injury, property damage or loss, whether direct, indirect, or incidental, resulting from the incorrect attachment, improper use, inadequate maintenance, unapproved modification, or neglect of this product.