

15803L

LED Step Light (15810, 15811, 15812, 15813)

Product Description

The 15803L is a rugged LED step light that is both affordable and energy efficient. This step light offers a flexible design aesthetic for any application, giving you a choice of various faceplate cover designs including louvered, glass, textured glass, and textured frosted glass. The soft 3000K color temperature also provides a warm, natural light, making it the perfect accent for your lighting project.

Construction

- Damp location listed when used with 15811.
- 15803LWL: Wet location listed when used with 15810, 15812, or 15813

Optical System

- 18 LEDs for a total of 2.7W

Electrical

- Color temperature of 3000K
- CRI 65
- 120V input into wiring compartment
- IC rated; suitable for direct contact with insulation

Installation

- For installations where power surge may be possible, NICOR recommends installing additional surge protection at the fixture or electrical distribution panel

Warranty

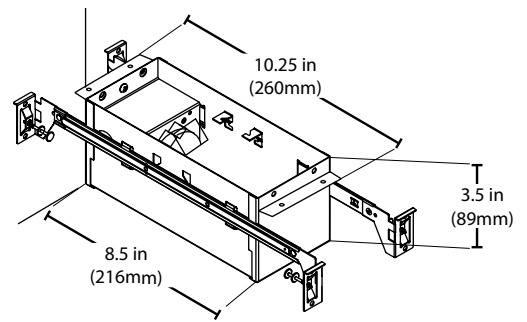
- 5-year limited system warranty standard
- Warranty does not cover product failure due to an overvoltage event (power surge.)

Project _____

Catalog _____

Type _____

Date _____



15810 Glass Cover



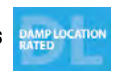
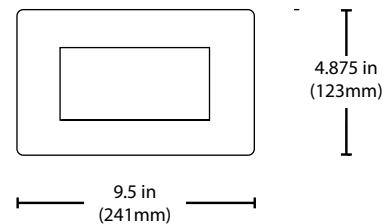
15811 Louvered Cover



15812 Textured Glass Cover



15813 Textured Frosted Glass Cover



Ordering Information

Catalog Number	
15803L	LED Step Light

15810	Glass cover
15811	Louvered cover
15812	Textured glass cover
15813	Textured frosted glass cover