

Features

- Metal construction
- KOHLER® ceramic disc valves exceed industry longevity standards for a lifetime of durable performance
- Complete range of faucets, accessories and showering components to coordinate a full bathroom
- 2.2 gpm (8.3 lpm) maximum flow rate at 60 psi (4.14 bar)

Material

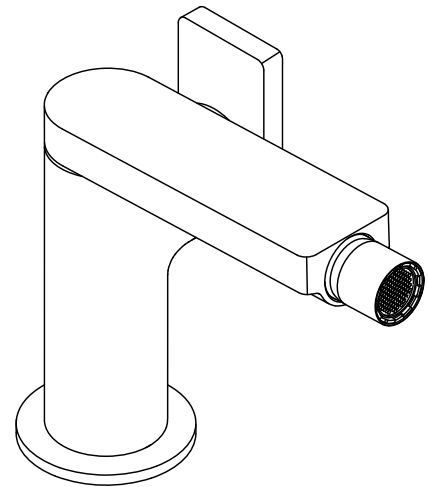
- KOHLER finishes resist corrosion and tarnishing

Installation

- Single-hole mounting
- Flexible connections for easy installation

Recommended Products/Accessories

- K-23726 Drain treatment
- K-73141 18" Towel Bar
- K-73142 24" Towel Bar
- K-73144 24" Double Towel Bar
- K-73145 towel arm
- K-73146 Double Robe Hook
- K-73147 Pivoting toilet paper holder
- K-73148 Vertical toilet paper holder



Codes/Standards



ASME A112.18.1/CSA B125.1

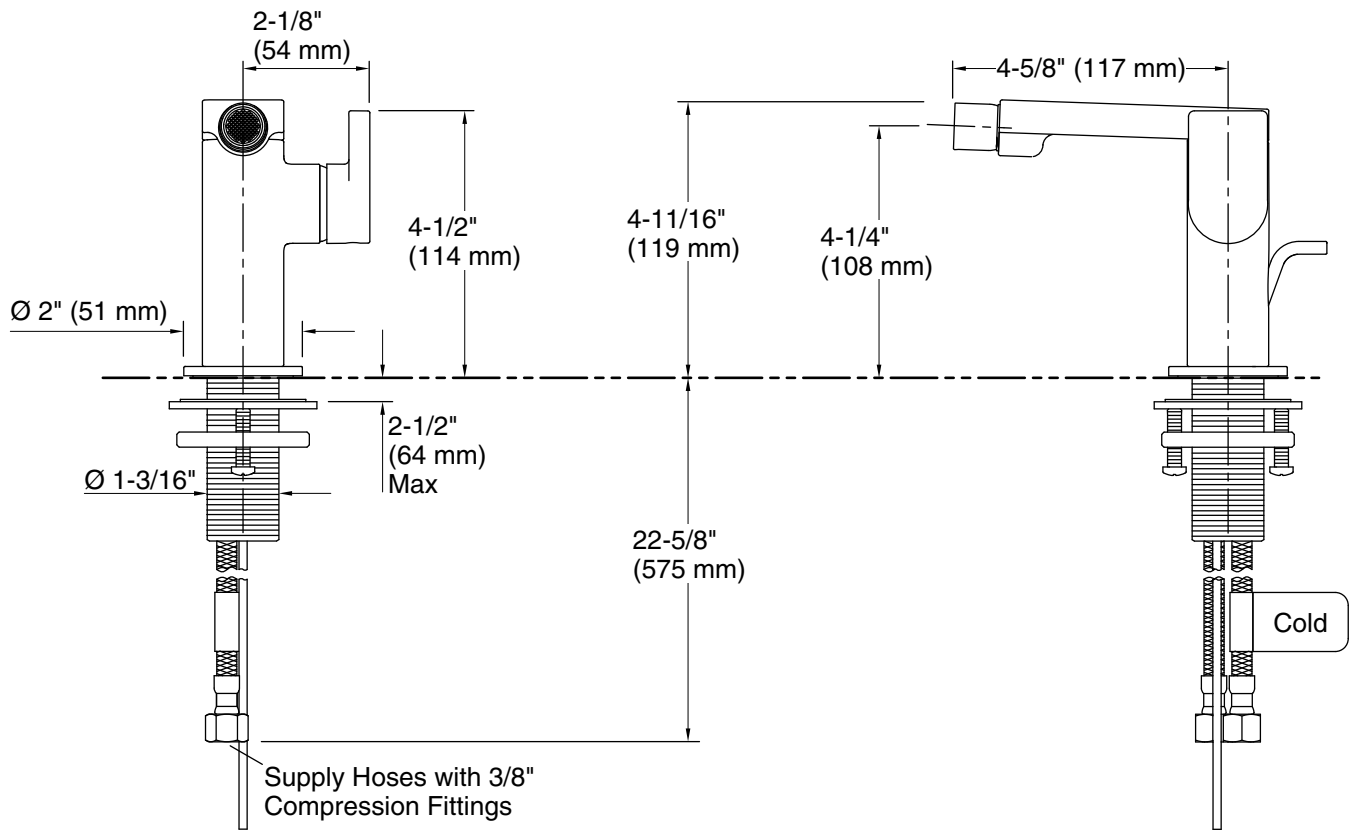
KOHLER® Faucet Lifetime Limited Warranty

See website for detailed warranty information.

Available Colors/Finishes

Color tiles intended for reference only.

| Color | Code | Description |
|---|------|------------------|
|  | CP | Polished Chrome |
|  | TT | Vibrant Titanium |



Technical Information

All product dimensions are nominal.

Faucet flow rate: 2.2 gal/min (8.3 l/min)

Drain with overflow: Yes

Spout:

Spout reach: 4-5/8" (118 mm)

Handshower rated max flow: 2.2 gal/min (8.3 l/min)

Notes

Install this product according to the installation instructions.