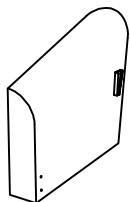


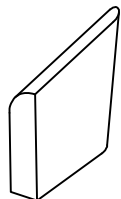
ASSEMBLY INSTRUCTION

SOFA

A Side Arm-Rsf **B** Side Arm-Lsf **C** Seat Panel **D** Back Frame



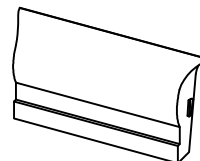
1 pc



1 pc



1 pc

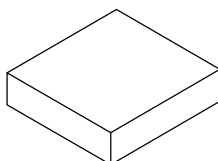


1 pc

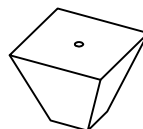
E Front Stretcher **F** Seat Cushion **G** Leg **H** JCBC Bolt
5/16" x 2-1/4"



1 pc



3 pcs



4 pcs



4 pcs

I JCBC Bolt 5/16" x 1"
J Flat Washer 1"
K Spring Washer 3/8"
L Allen Key 5 x 65mm



4 pcs



4 pcs



4 pcs

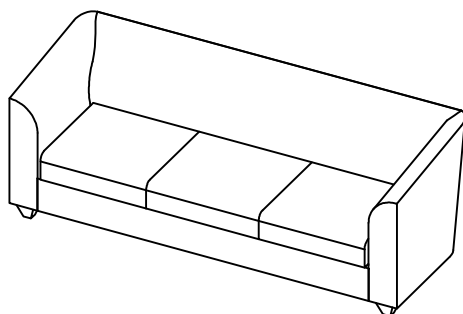


1 pc

M Wood Screw
5mm x 38mm

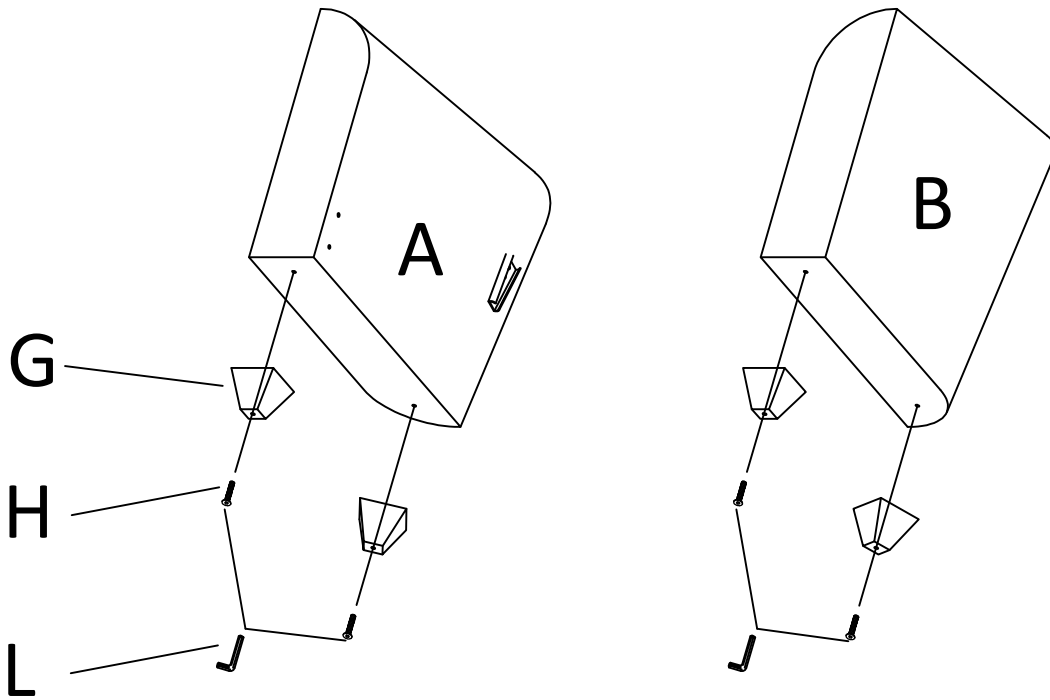


6 pcs

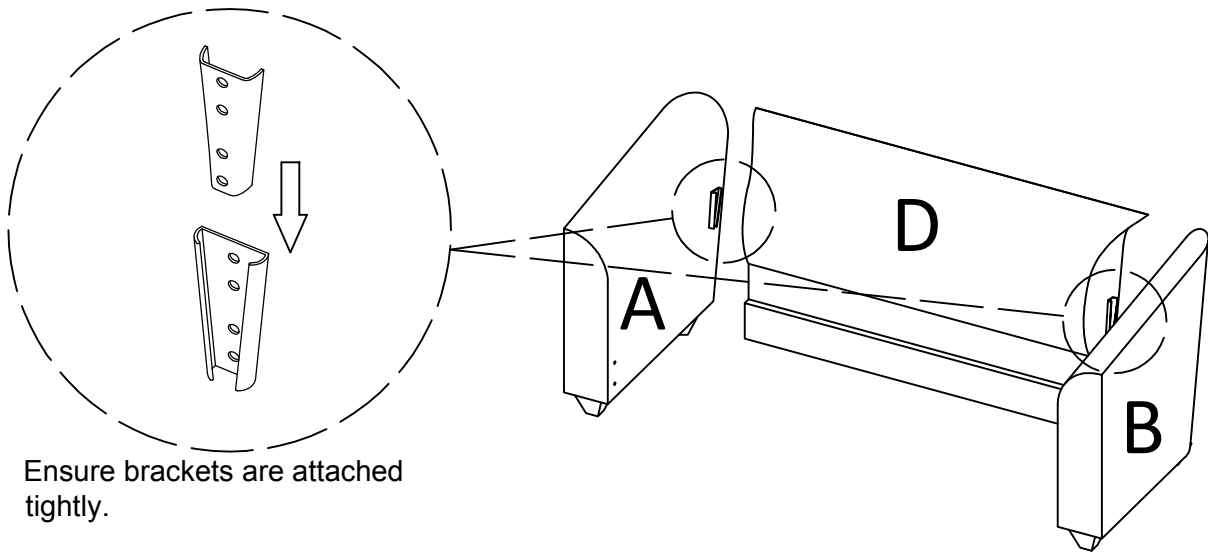


This page lists all the contents included in the box. Please take the time to identify the hardware as well as the individual components to this product. As you unpack and prepare for assembly, place the contents on a carpeted or padded area to protect them from damage.

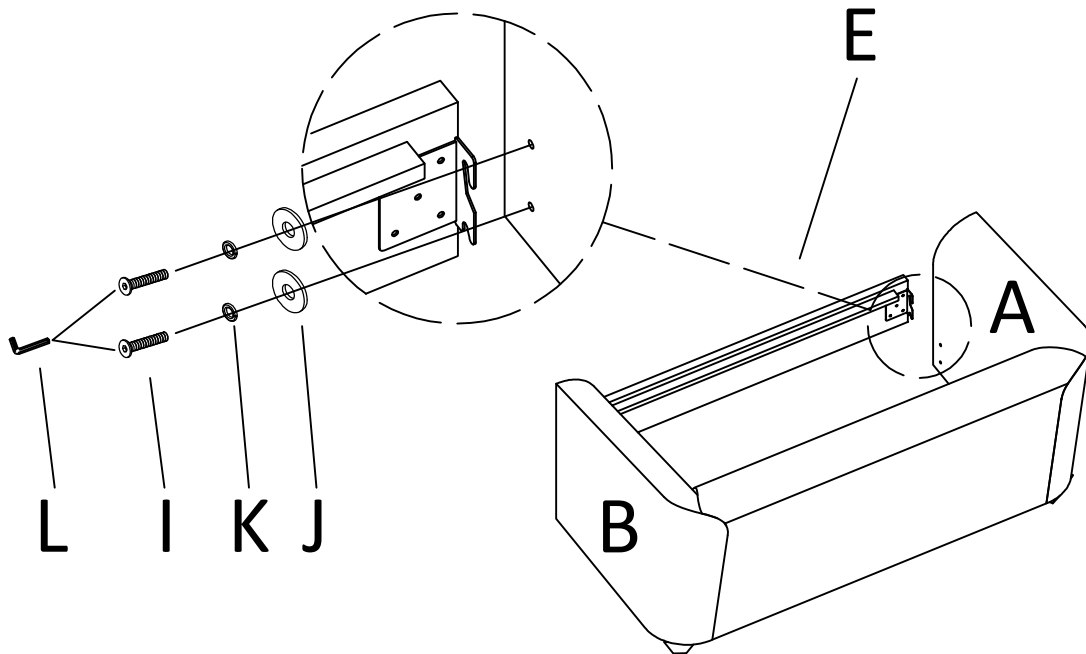
1 Assemble Leg (G) into Side Arm-Rsf (A) & Side Arm-Lsf (B) by using JCBC Bolt (H) with Allen Key (L).



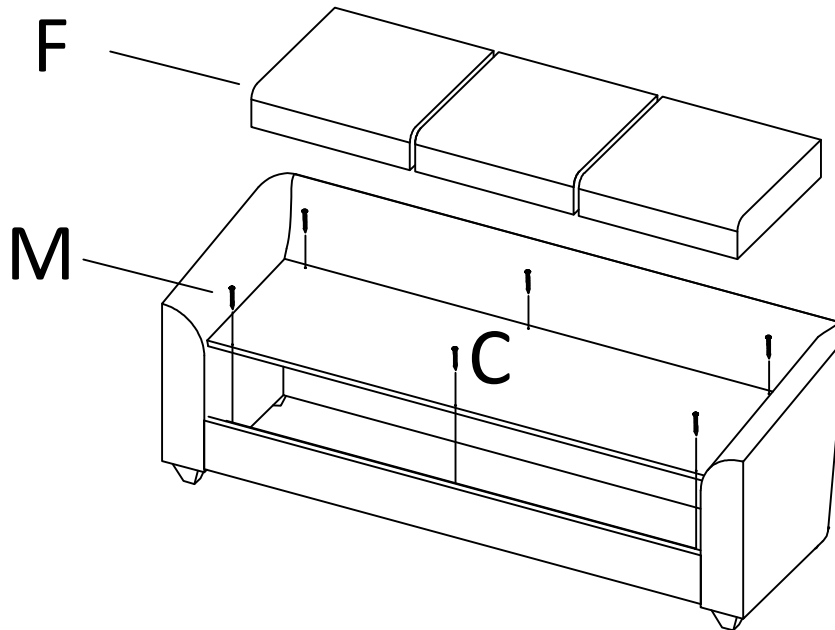
2 Attach Back Frame (D) to the Side Arm-Rsf (A) & Side Arm-Lsf (B) by using brackets as drawing below.



- 3** Insert JCBC Bolt (I) through Spring Washer (K) & Flat Washer (J) to attach Front Stretcher (E) with Side Arm-Rsf (A) & Side Arm-Lsf (B) and turn the bolts clockwise with Allen Key (L). Adjust all bolts in well position then fully tighten.



- 4** Put on Seat Panel (C) and use Wood Screw (M) to fix it as shown, then put on Seat Cushion (F).



Cleaning & Care

Treat surface with care. Surface is resistant to scratches but is not scratch resistant. Clean surfaces with a dry or damp soft cloth. Do not use abrasive cleaners. Hardware may loosen over time. Periodically check that all connections are tight.