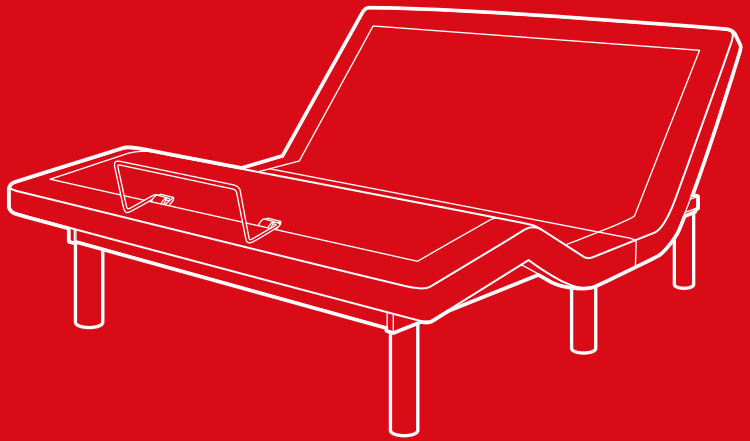




bestchoiceproducts



# INSTRUCTION MANUAL

---

Upholstered Adjustable  
Queen Bed Base



bestchoiceproducts

---

As shoppers, we're always trying to find the perfect balance between quality & value. At BCP, we believe we've achieved that. Our diverse catalog of everyday essentials is tailored especially to our customers & guaranteed to hit that sweet spot of high quality & low price.

— Always. —

**! NOTICE** Please retain these instructions for future reference.

- This item is intended for indoor, household use only.
- Ensure that your voltage is consistent with specifications.
- Do not modify the plug in any way.
- This item is not intended for use by persons (including children) with reduced physical, sensory or mental capabilities, or lack of experience and knowledge, unless they have been given supervision or instruction concerning use of the item by a person responsible for their safety.
- If any parts are missing, broken, damaged, or worn, stop using this product until repairs are made and/or factory replacement parts are installed.
- Do not use this item in a way inconsistent with the manufacturer's instructions as this could void the product warranty.

## **! WARNING**

- Do not use this item if your physician or healthcare professional has advised against massager use.
- If you experience any pain, illness, or discomfort during use, discontinue using this item and consult with a physician.
- This product features electrical components. Do not expose to high temperatures or humidity.
- Keep item away from direct sunlight and other heat sources (stove, heater, etc.).
- Do not spill water on the electrical components or connectors.
- Do not touch the plug or operate with wet hands.
- Do not unplug by pulling on the power cord. Always grasp the plug firmly and pull straight out from the outlet.
- Do not use if the plug or any components are damaged.

## **TOOLS REQUIRED**



**2 AAA BATTERIES  
(FOR REMOTE)**



**2 PERSON  
ASSEMBLY**

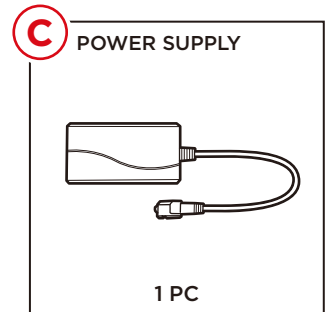
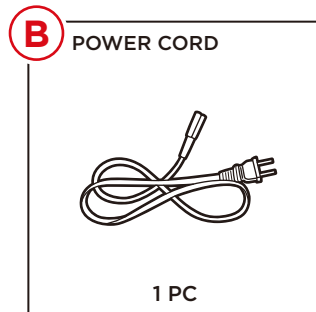
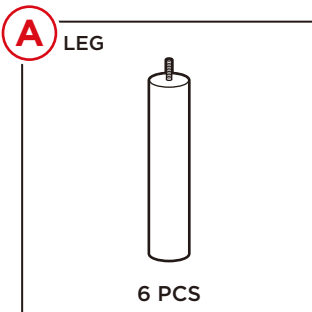


**850 LBS  
CAPACITY**

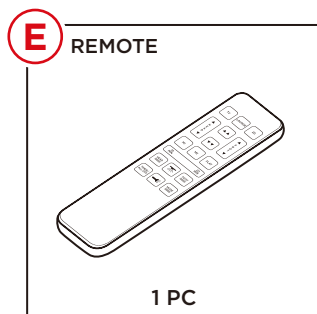
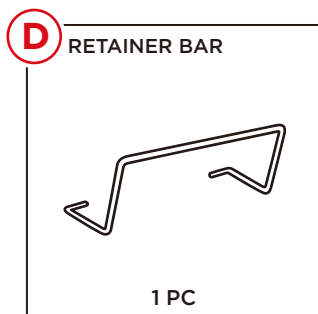


**UP TO 20 MIN.  
ASSEMBLY**

## **PARTS**



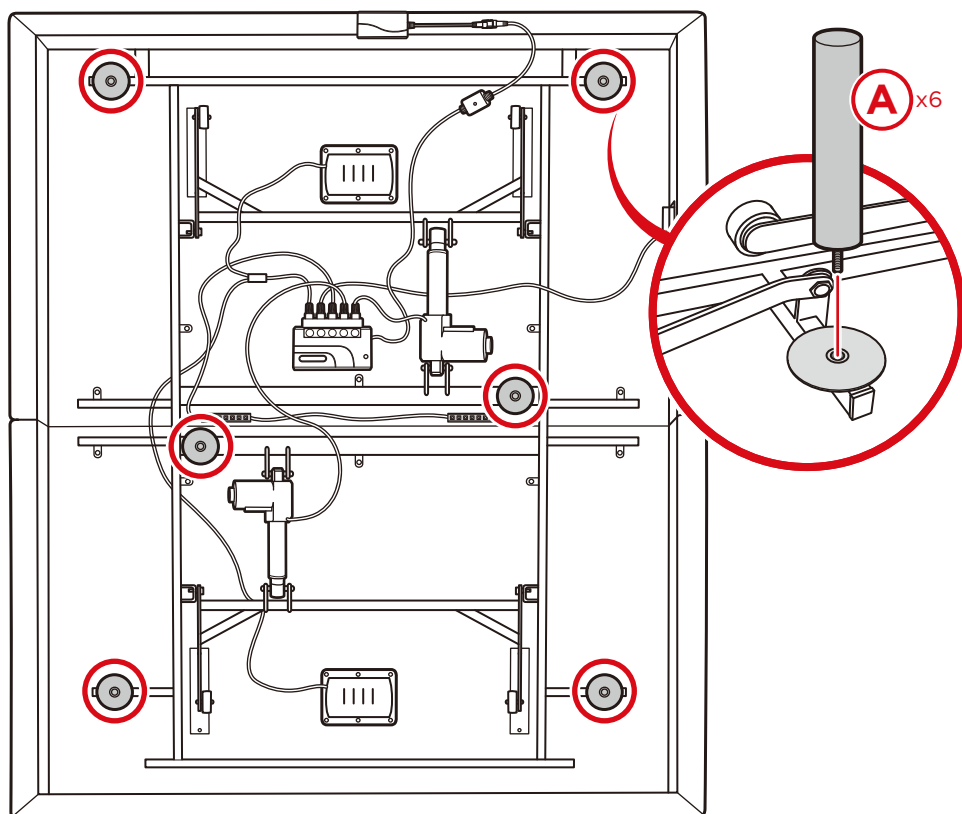
## PARTS



## PRODUCT ASSEMBLY

**1**

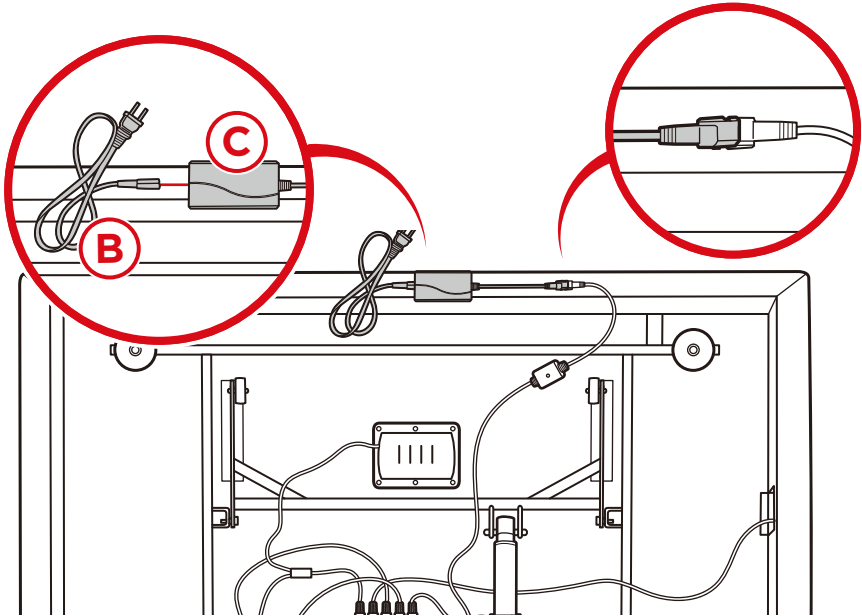
Remove all packaging and parts from the underside of the bed.  
Screw six part A legs into the leg bases.



## PRODUCT ASSEMBLY

2

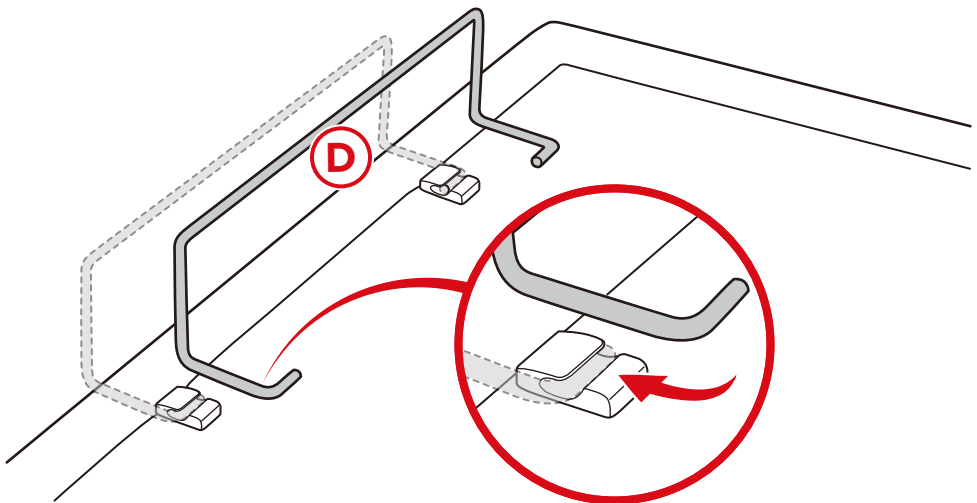
Insert the part B power cord into the part C power supply, then join the power supply to the corresponding connector under the bed.



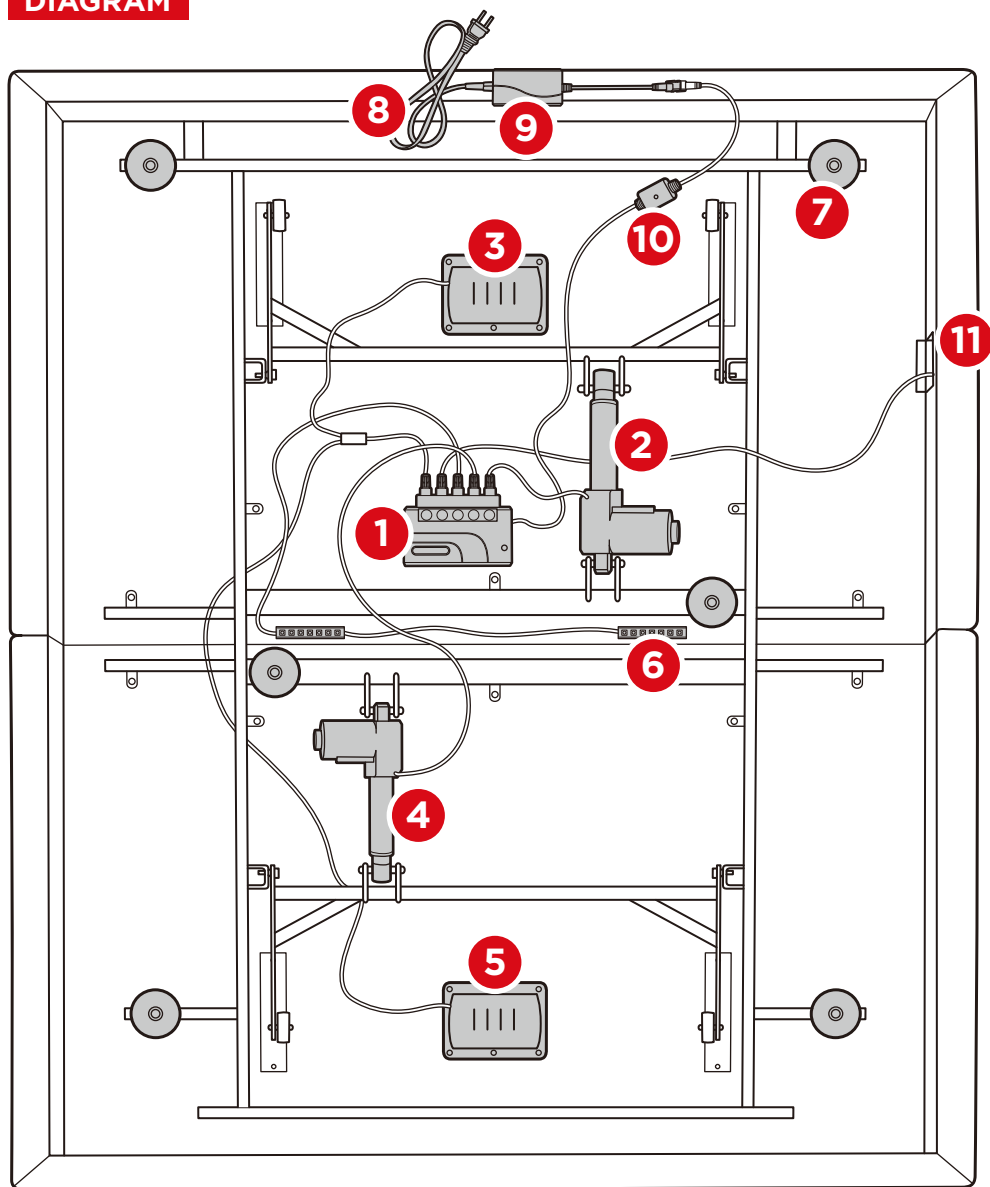
3

With the help of another person, carefully flip the bed onto its legs. Insert the part D retainer bar into the slots.

Plug the power cord into a wall outlet.



## DIAGRAM



1. Control box

2. Head motor

3. Head massage motor

4. Foot motor

5. Foot massage motor

6. LED lights

7. Leg base

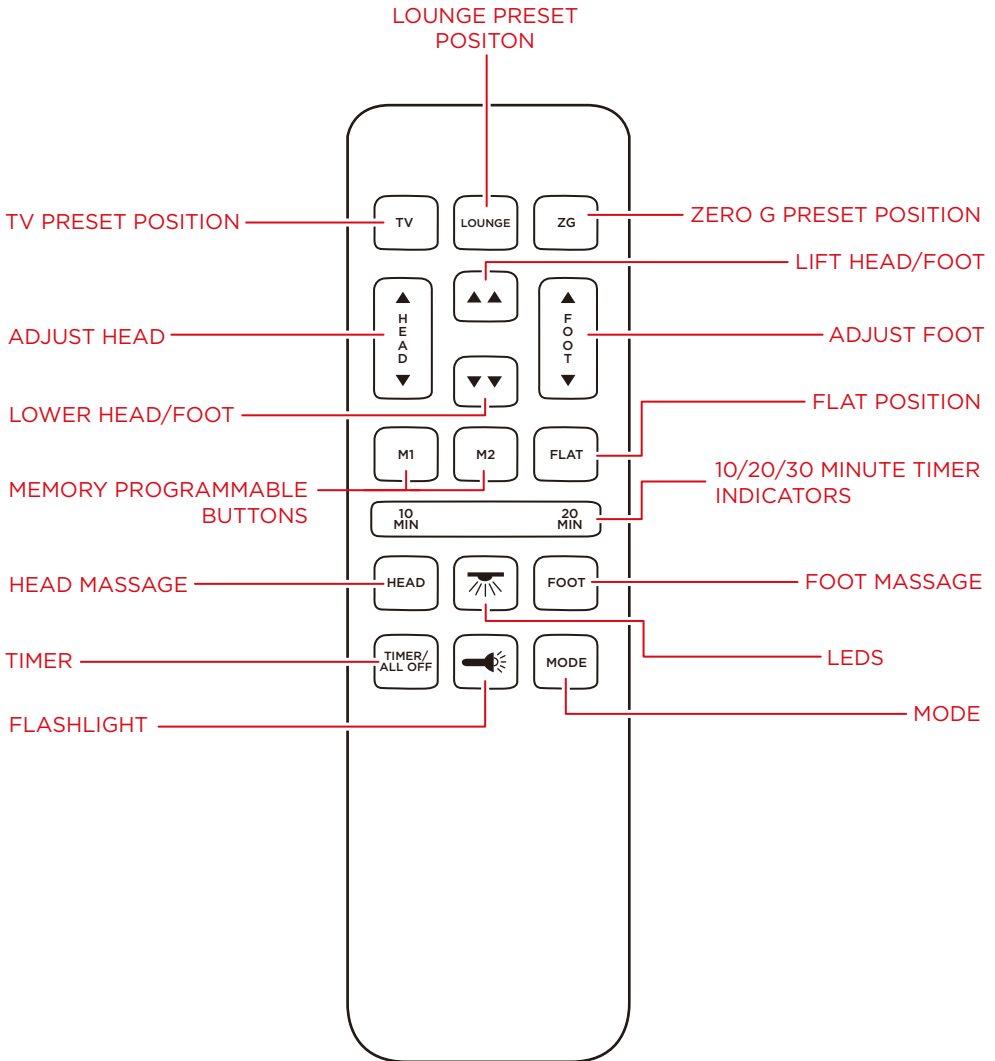
8. Power cord

9. Power supply

10. Pairing button

11. USB ports

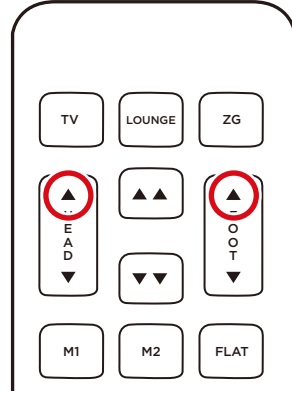
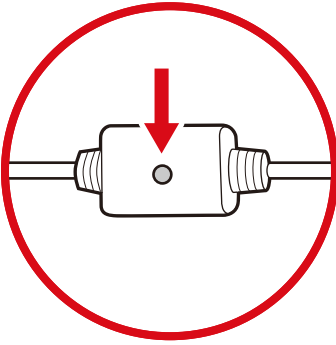
## CONTROL PANEL



- **HEAD MASSAGE:** Cycle through 3 intensity levels
- **FOOT MASSAGE:** Cycle through 3 intensity levels
- **LEDs:** Toggle under bed LEDs on/off
- **TIMER:** Cycle through 10/20/30 minute timers, or turn off
  - Both 10 & 20 minute lights on indicate 30 minutes
- **FLASHLIGHT:** Press and hold to turn remote flashlight on
- **MODE:** Cycle through 3 massage modes

## PAIRING REMOTE

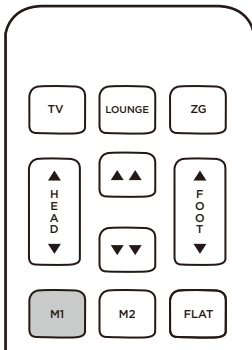
The remote comes paired to the bed. If the remote gets unpaired, do the following to pair the remote:



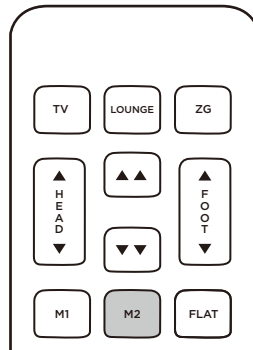
1. Press and hold the adjust head up and adjust foot up buttons.
2. Press and hold the pairing button underneath the bed.
  - Pairing button is on the wire attached to the power supply
3. Two beeps will sound to indicate a successful pairing.

## SETTING PROGRAMMABLE POSITIONS

**NOTE:** M1 and M2 buttons do not come programmed. Each button must be individually programmed before use.



**PRESET 1**



**PRESET 2**

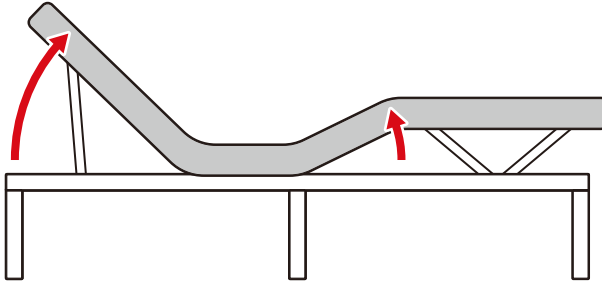
1. Adjust the bed to your desired position.
2. Press and hold the memory programmable button for 5 seconds.
3. Buttons will flash to indicate the position has been saved.
4. If desired, repeat to set the other memory programmable button.



## PRESET POSITIONS

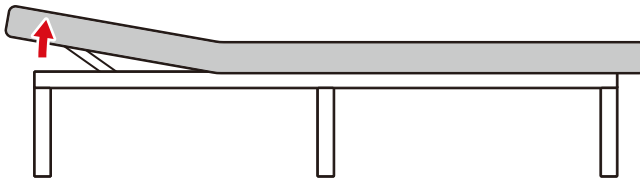
### TV SETTING:

|            |     |
|------------|-----|
| Head Angle | 44° |
| Foot Angle | 26° |



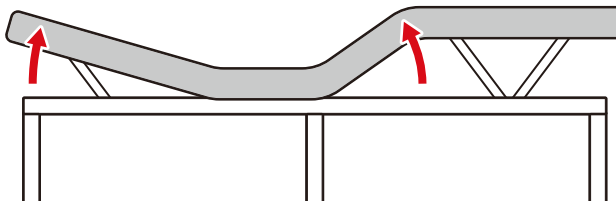
### ANTI-SNORE SETTING:

|            |     |
|------------|-----|
| Head Angle | 10° |
| Foot Angle | 0°  |



### ZERO GRAVITY (ZG) SETTING:

|            |     |
|------------|-----|
| Head Angle | 16° |
| Foot Angle | 35° |



## WARNINGS REGARDING BATTERIES

- Do not mix alkaline, standard (carbon zinc) and rechargeable (nickel hydride) batteries.
- Do not mix old and new batteries.
- Non-rechargeable batteries should not be charged.
- Rechargeable batteries should be charged under adult supervision only.
- Exhausted batteries should be removed.
- The supply terminals should not be short-circuited.
- Do not put batteries next to or in a heat source (fire, electronic heating device, etc.).
- Do not hit batteries against hard objects.
- Do not submerge batteries in water.
- Batteries should be inserted with the correct polarity.

## FCC COMPLIANCE STATEMENT

This device complies with part 15 of the FCC rules. Operation is subject to the following two conditions: (1) This product may not cause harmful interference, and (2) this device must accept any interference received, including interference that may cause undesired operation.

NOTE: This equipment has been tested and found to comply with the limits for a Class B digital device, pursuant to part 15 of the FCC Rules. These limits are designed to provide reasonable protection against harmful interference in a residential installation.

This equipment generates, uses, and can radiate radio frequency energy and, if not installed and used in accordance with the instructions, may cause harmful interference to radio communications. However, there is no guarantee that interference will not occur in a particular installation.

If this equipment does cause harmful interference to radio or television reception, which can be determined by turning the equipment off and on, the user is encouraged to try to correct the interference by one or more of the following measures:

- Reorient or relocate the receiving antenna.
- Increase the separation between the equipment and receiver.
- Connect the equipment to an outlet on a circuit different from that to which the receiver is connected.
- Consult the dealer or an experienced radio/TV technician for help.

WARNING: Any changes or modifications to this unit not expressly approved by the party responsible for compliance could void the user's authority to operate the equipment.

*Responsible party (contact for FCC matters only):*

Quality Control Dept.

15101 Red Hill Ave.

Tustin, CA 92780

## TROUBLESHOOTING

| Problem   | Reason  | Solution  |
|---|---|---|
| Remote working, but bed not responding                  | Unplugged                                     | Make sure power cord is plugged into a working outlet   |
| Bed functions not activating                            | Remote unpaired                               | Pair remote with bed                                    |
|   | Malfunction                                   | Reset; unplug power cord, wait 30 seconds, then plug in |
|   | Power outlet not working                      | Plug into working outlet                                |
|   | Loose connections                             | Ensure all connections to control box are secure        |
| Remote not working                                      | Remote out of batteries                       | Replace batteries                                       |
| Head/foot elevates but does not return to flat position | Bed mechanism obstructed                      | Elevate bed and remove obstruction                      |
|   | Head section too close to wall                | Move head further from wall                             |
| Head/foot lift has minor interference                   | Remote out of batteries                       | Replace batteries                                       |
|   | Motor overworked                              | Allow motor to rest for 20 minutes                      |
|   | Buttons not completely pushed                 | Push buttons squarely and accurately                    |
|   | Remote has radio frequency interference       | Wait and try again later                                |
| Excessive motor noise                                   | Bed on hard surface                           | Place carpet or rubber feet under each leg              |
|   | Motor mechanisms misaligned                   | Elevate sections a short distance to realign            |
|   | Bed positioned against another object or wall | Make sure bed is positioned away from wall or objects   |
| Clicking noise when raising or lowering                 | Normal  | -   |
| Massage motor overheats or stops                        | Thermal protection activated                  | Wait 30 minutes, then turn massage back on              |



# HELP CENTER



Question about your product? We're here to help. Visit us at:

[help.bestchoiceproducts.com](http://help.bestchoiceproducts.com)



Product Assembly



Returns & Refunds

## PRODUCT WARRANTY INFORMATION

All items can be returned for any reason within 60 days of the receipt and will receive a full refund as long as the item is returned in its original product packaging and all accessories from its original shipment are included. All returned items will receive a full refund back to the original payment method. All returned items will not be charged a re-stocking fee.

All returned items require an RA (Return Authorization) number, which can only be provided by a Best Choice Products Customer Service Representative when the return request is submitted. Items received without an RA may not be accepted or may increase your return processing time. Once an item has been received by Best Choice Products, refunds or replacements will be processed within 5 business days.

All returns must be shipped back to the Best Choice Products Return Center at the customer's expense. If the reason for return is a result of an error by Best Choice Products then Best Choice Products will provide a pre-paid shipping label via email. Boxes for return shipping will not be provided by Best Choice Products, and is the customer's responsibility to either use the original shipping boxes or purchase new boxes.

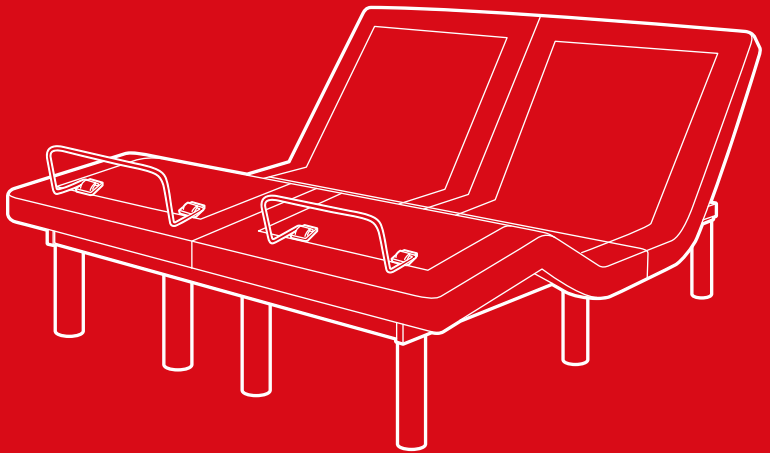
Pictures may be required for some returns to ensure an item is not damaged prior to its return. Items returned are not considered undamaged until they are received by Best Choice Products and verified as such. All damages to items are the customer's responsibility until the item has been received by and acknowledge by Best Choice Products as undamaged.

## WARNING

Manufacturer and seller expressly disclaim any and all liability for personal injury, property damage or loss, whether direct, indirect, or incidental, resulting from the incorrect attachment, improper use, inadequate maintenance, unapproved modification, or neglect of this product.



bestchoiceproducts



# INSTRUCTION MANUAL

---

Upholstered Adjustable  
Split King Bed Base



This split king bed is  
made up of two XL  
twin beds.

[bestchoiceproducts.com](http://bestchoiceproducts.com)

**! NOTICE** Please retain these instructions for future reference.

- This item is intended for indoor, household use only.
- Ensure that your voltage is consistent with specifications.
- Do not modify the plug in any way.
- This item is not intended for use by persons (including children) with reduced physical, sensory or mental capabilities, or lack of experience and knowledge, unless they have been given supervision or instruction concerning use of the item by a person responsible for their safety.
- If any parts are missing, broken, damaged, or worn, stop using this product until repairs are made and/or factory replacement parts are installed.
- Do not use this item in a way inconsistent with the manufacturer's instructions as this could void the product warranty.

## **! WARNING**

- Do not use this item if your physician or healthcare professional has advised against massager use.
- If you experience any pain, illness, or discomfort during use, discontinue using this item and consult with a physician.
- This product features electrical components. Do not expose to high temperatures or humidity.
- Keep item away from direct sunlight and other heat sources (stove, heater, etc.).
- Do not spill water on the electrical components or connectors.
- Do not touch the plug or operate with wet hands.
- Do not unplug by pulling on the power cord. Always grasp the plug firmly and pull straight out from the outlet.
- Do not use if the plug or any components are damaged.

## **TOOLS REQUIRED**



**2 AAA BATTERIES  
(PER REMOTE)**



**2 PERSON  
ASSEMBLY**

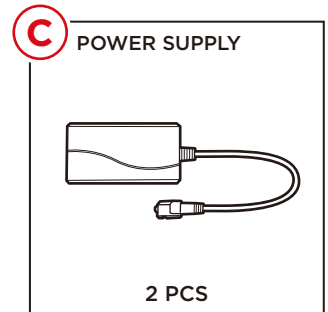
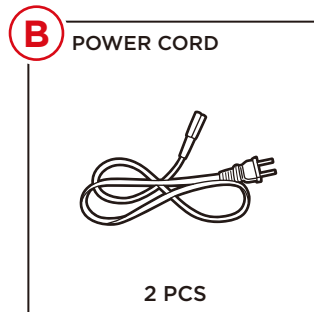
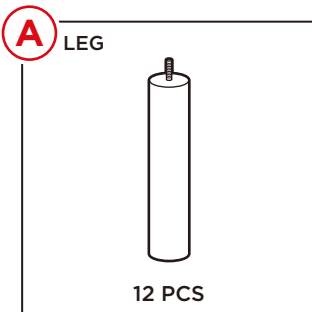


**850 LBS  
PER BED**

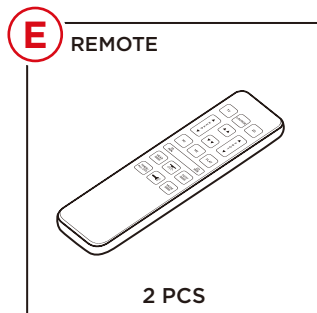
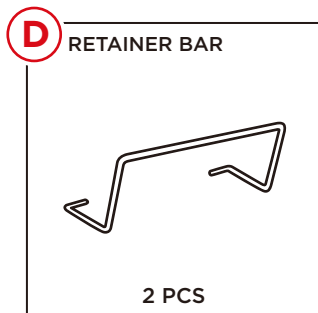


**UP TO 30 MIN.  
ASSEMBLY**

## **PARTS**



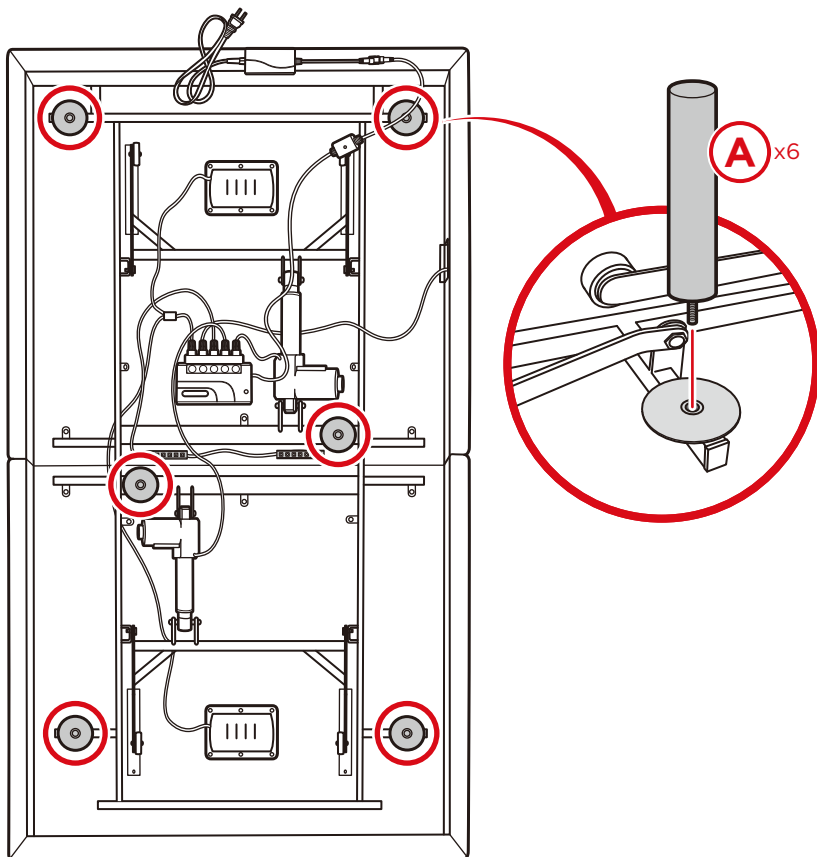
## PARTS



## PRODUCT ASSEMBLY

**1**

Remove all packaging and parts from the underside of the bed.  
Screw six part A legs into the leg bases.

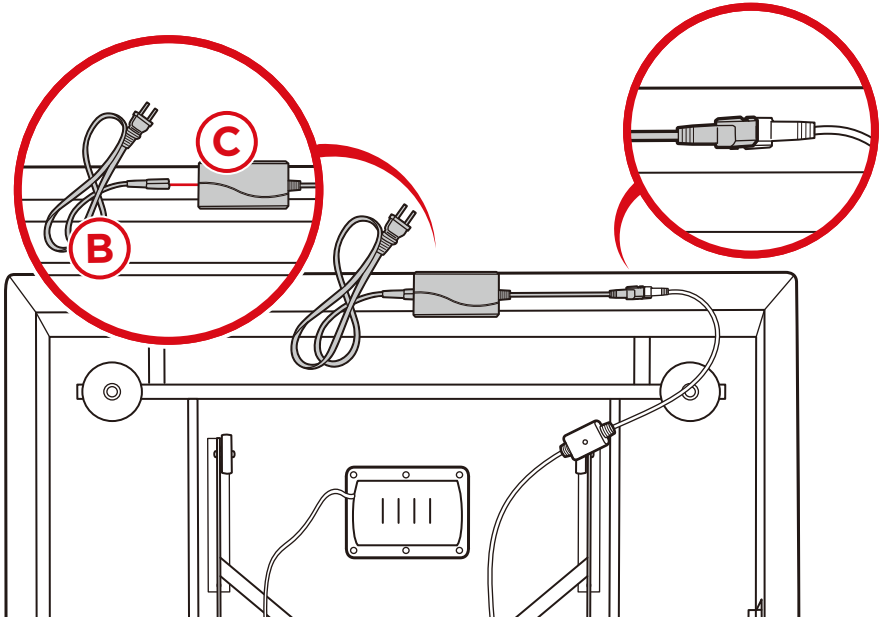




## PRODUCT ASSEMBLY

2

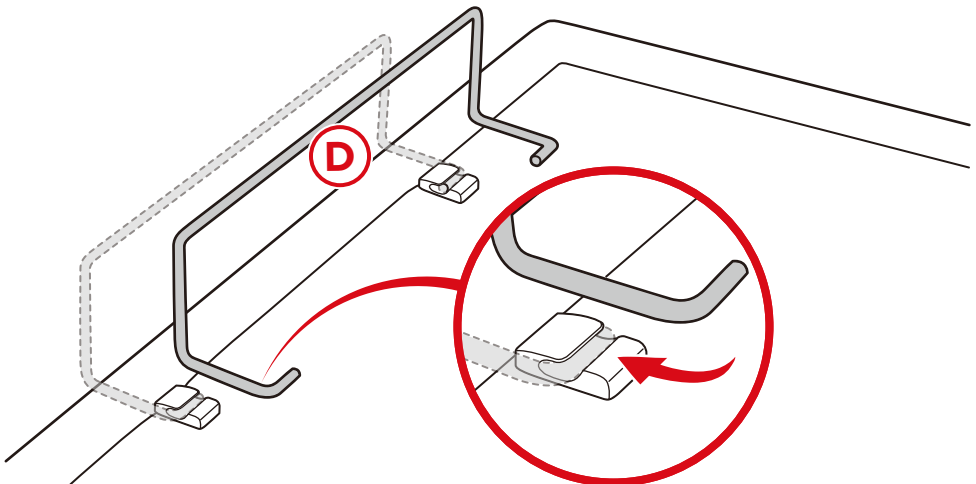
Insert the part B power cord into the part C power supply, then join the power supply to the corresponding connector under the bed.



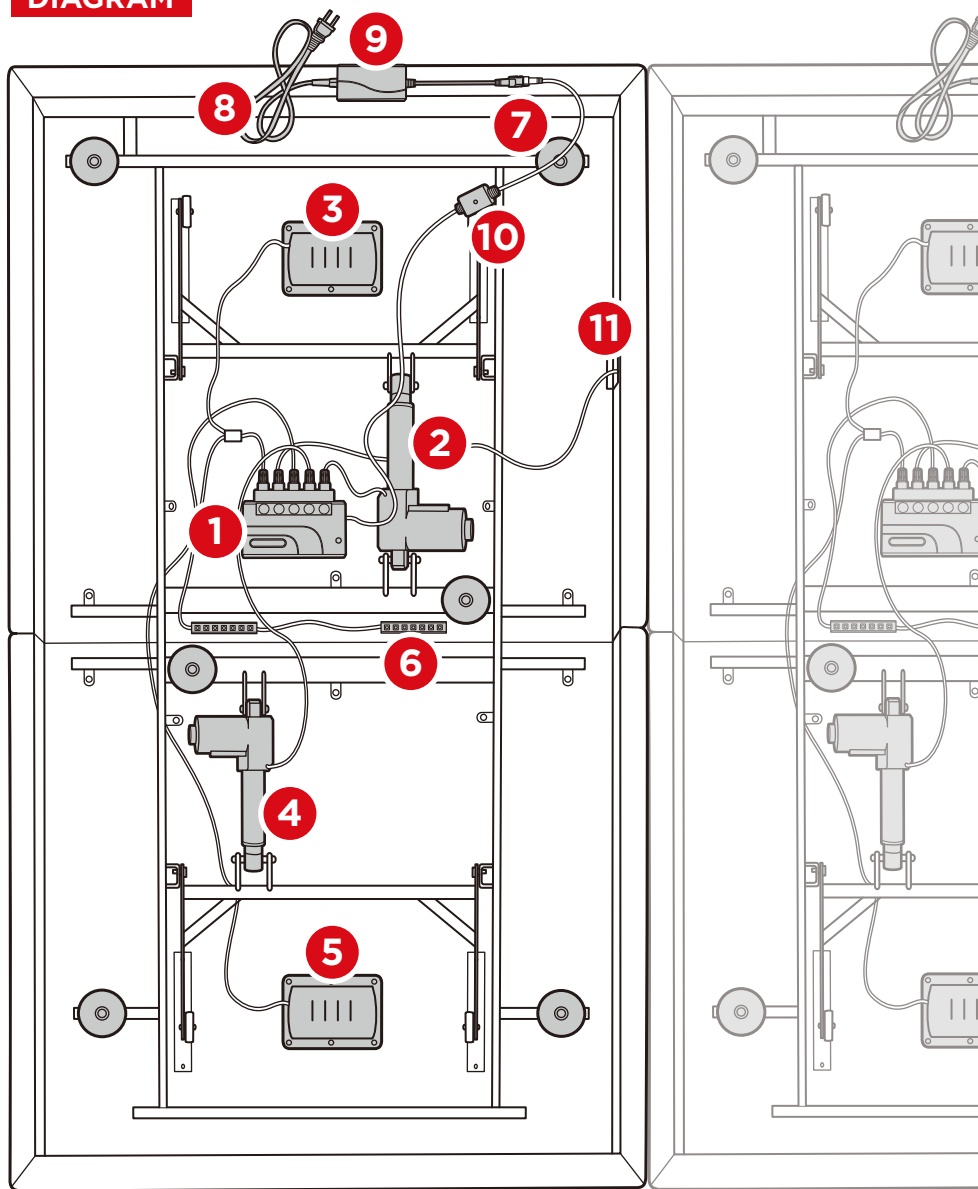
3

With the help of another person, carefully flip the bed onto its legs. Insert the part D retainer bar into the slots.

Plug the power cord into a wall outlet. Repeat to build another bed.

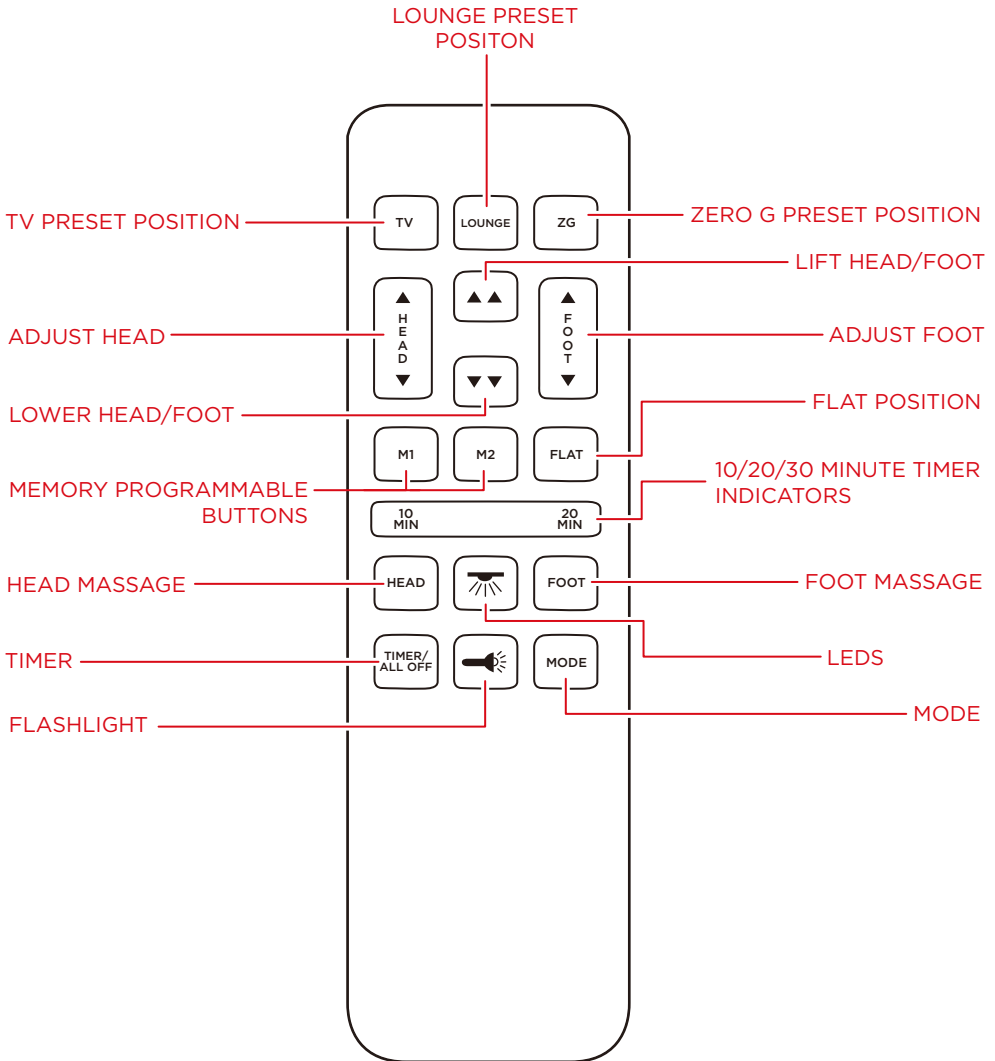


## DIAGRAM



- |                       |                       |                    |
|-----------------------|-----------------------|--------------------|
| 1. Control box        | 5. Foot massage motor | 9. Power supply    |
| 2. Head motor         | 6. LED lights         | 10. Pairing button |
| 3. Head massage motor | 7. Leg base           | 11. USB ports      |
| 4. Foot motor         | 8. Power cord         |                    |

## CONTROL PANEL

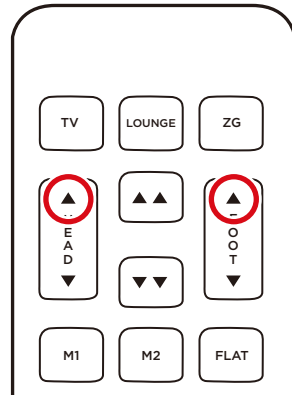
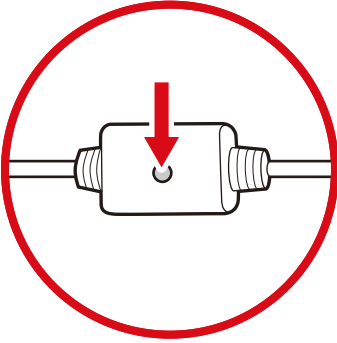


- **HEAD MASSAGE:** Cycle through 3 intensity levels
- **FOOT MASSAGE:** Cycle through 3 intensity levels
- **LEDS:** Toggle under bed LEDs on/off
- **TIMER:** Cycle through 10/20/30 minute timers, or turn off
  - Both 10 & 20 minute lights on indicate 30 minutes
- **FLASHLIGHT:** Press and hold to turn remote flashlight on
- **MODE:** Cycle through 3 massage modes

## PAIRING REMOTE

**NOTE:** There are two individual remotes for the two beds. You can either use a separate remote for each bed, or pair both beds to one remote.

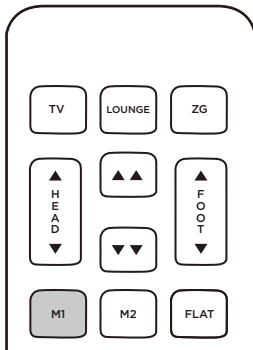
The remote comes paired to the bed. If the remote gets unpaired, do the following to pair the remote:



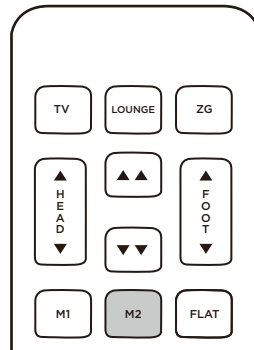
1. Press and hold the adjust head up and adjust foot up buttons.
2. Press and hold the pairing button underneath the bed.
  - Pairing button is on the wire attached to the power supply
3. Two beeps will sound to indicate a successful pairing.

## SETTING PROGRAMMABLE POSITIONS

**NOTE:** M1 and M2 buttons do not come programmed. Each button must be individually programmed before use.



**PRESET 1**



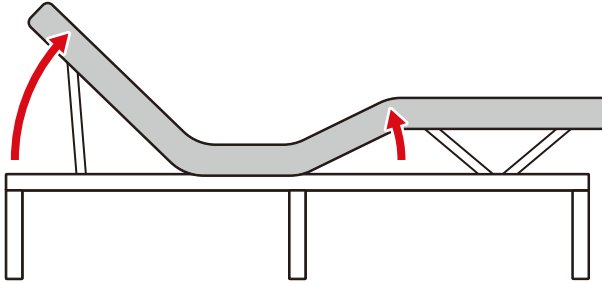
**PRESET 2**

1. Adjust the bed to your desired position.
2. Press and hold the memory programmable button for 5 seconds.
3. Buttons will flash to indicate the position has been saved.
4. If desired, repeat to set the other memory programmable button.

## PRESET POSITIONS

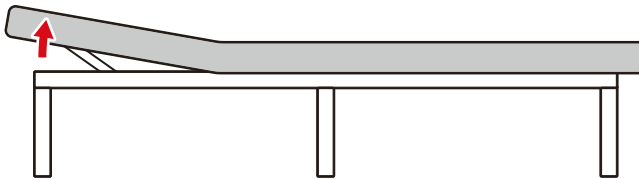
### TV SETTING:

|            |     |
|------------|-----|
| Head Angle | 44° |
| Foot Angle | 26° |



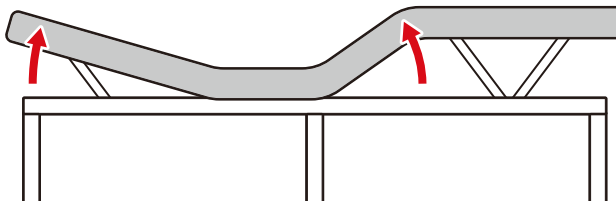
### ANTI-SNORE SETTING:

|            |     |
|------------|-----|
| Head Angle | 10° |
| Foot Angle | 0°  |



### ZERO GRAVITY (ZG) SETTING:

|            |     |
|------------|-----|
| Head Angle | 16° |
| Foot Angle | 35° |



## WARNINGS REGARDING BATTERIES

- Do not mix alkaline, standard (carbon zinc) and rechargeable (nickel hydride) batteries.
- Do not mix old and new batteries.
- Non-rechargeable batteries should not be charged.
- Rechargeable batteries should be charged under adult supervision only.
- Exhausted batteries should be removed.
- The supply terminals should not be short-circuited.
- Do not put batteries next to or in a heat source (fire, electronic heating device, etc.).
- Do not hit batteries against hard objects.
- Do not submerge batteries in water.
- Batteries should be inserted with the correct polarity.

## FCC COMPLIANCE STATEMENT

This device complies with part 15 of the FCC rules. Operation is subject to the following two conditions: (1) This product may not cause harmful interference, and (2) this device must accept any interference received, including interference that may cause undesired operation.

NOTE: This equipment has been tested and found to comply with the limits for a Class B digital device, pursuant to part 15 of the FCC Rules. These limits are designed to provide reasonable protection against harmful interference in a residential installation.

This equipment generates, uses, and can radiate radio frequency energy and, if not installed and used in accordance with the instructions, may cause harmful interference to radio communications. However, there is no guarantee that interference will not occur in a particular installation.

If this equipment does cause harmful interference to radio or television reception, which can be determined by turning the equipment off and on, the user is encouraged to try to correct the interference by one or more of the following measures:

- Reorient or relocate the receiving antenna.
- Increase the separation between the equipment and receiver.
- Connect the equipment to an outlet on a circuit different from that to which the receiver is connected.
- Consult the dealer or an experienced radio/TV technician for help.

WARNING: Any changes or modifications to this unit not expressly approved by the party responsible for compliance could void the user's authority to operate the equipment.

*Responsible party (contact for FCC matters only):*

Quality Control Dept.  
15101 Red Hill Ave.  
Tustin, CA 92780

## TROUBLESHOOTING

| Problem   | Reason  | Solution  |
|---|---|---|
| Remote working, but bed not responding                  | Unplugged                                     | Make sure power cord is plugged into a working outlet   |
| Bed functions not activating                            | Remote unpaired                               | Pair remote with bed                                    |
|   | Malfunction                                   | Reset; unplug power cord, wait 30 seconds, then plug in |
|   | Power outlet not working                      | Plug into working outlet                                |
|   | Loose connections                             | Ensure all connections to control box are secure        |
| Remote not working                                      | Remote out of batteries                       | Replace batteries                                       |
| Head/foot elevates but does not return to flat position | Bed mechanism obstructed                      | Elevate bed and remove obstruction                      |
|   | Head section too close to wall                | Move head further from wall                             |
| Head/foot lift has minor interference                   | Remote out of batteries                       | Replace batteries                                       |
|   | Motor overworked                              | Allow motor to rest for 20 minutes                      |
|   | Buttons not completely pushed                 | Push buttons squarely and accurately                    |
|   | Remote has radio frequency interference       | Wait and try again later                                |
| Excessive motor noise                                   | Bed on hard surface                           | Place carpet or rubber feet under each leg              |
|   | Motor mechanisms misaligned                   | Elevate sections a short distance to realign            |
|   | Bed positioned against another object or wall | Make sure bed is positioned away from wall or objects   |
| Clicking noise when raising or lowering                 | Normal  | -   |
| Massage motor overheats or stops                        | Thermal protection activated                  | Wait 30 minutes, then turn massage back on              |



# HELP CENTER



Question about your product? We're here to help. Visit us at:

[help.bestchoiceproducts.com](http://help.bestchoiceproducts.com)



Product Assembly



Returns & Refunds

## PRODUCT WARRANTY INFORMATION

All items can be returned for any reason within 60 days of the receipt and will receive a full refund as long as the item is returned in its original product packaging and all accessories from its original shipment are included. All returned items will receive a full refund back to the original payment method. All returned items will not be charged a re-stocking fee.

All returned items require an RA (Return Authorization) number, which can only be provided by a Best Choice Products Customer Service Representative when the return request is submitted. Items received without an RA may not be accepted or may increase your return processing time. Once an item has been received by Best Choice Products, refunds or replacements will be processed within 5 business days.

All returns must be shipped back to the Best Choice Products Return Center at the customer's expense. If the reason for return is a result of an error by Best Choice Products then Best Choice Products will provide a pre-paid shipping label via email. Boxes for return shipping will not be provided by Best Choice Products, and is the customer's responsibility to either use the original shipping boxes or purchase new boxes.

Pictures may be required for some returns to ensure an item is not damaged prior to its return. Items returned are not considered undamaged until they are received by Best Choice Products and verified as such. All damages to items are the customer's responsibility until the item has been received by and acknowledge by Best Choice Products as undamaged.

## WARNING

Manufacturer and seller expressly disclaim any and all liability for personal injury, property damage or loss, whether direct, indirect, or incidental, resulting from the incorrect attachment, improper use, inadequate maintenance, unapproved modification, or neglect of this product.