



bestchoiceproducts



# INSTRUCTION MANUAL

---

4-Level Wooden Dollhouse



**bestchoiceproducts**

---

Thank you for choosing us! Since 2002, Best Choice Products has been bringing customers high-quality products at the absolute lowest price. With everything ranging from instruments and toys to furniture and outdoor, we've got your everyday living essentials covered. We're centered around a customer-first philosophy - with free shipping, exceptional customer service, and a catalog sourced with you in mind.

---

## NOTICE

Please retain these instructions for future reference.

- Product is intended for indoor use only.
- Do not stand on or use any part of this product as a step ladder.
- Firmly secure all bolts, screws and knobs before use.
- Reconfirm that all bolts, screws, and knobs are secure every 90 days.
- If any parts are missing, broken, damaged, or worn, stop using this item until repairs are made and/or factory replacement parts are installed.
- Do not use this item in a way inconsistent with the manufacturer's instructions as this could void the product warranty.
- To clean, wipe down product with a damp cloth, then wipe it down once more with a dry cloth.
- This product contains small parts. Keep children away during assembly. Make sure to remove all packaging material and parts from the package before disposal.

## TOOLS REQUIRED



PHILLIPS  
SCREWDRIVER



3 YEARS  
OLD AND UP



ADULT ASSEMBLY  
REQUIRED

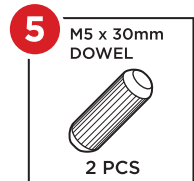
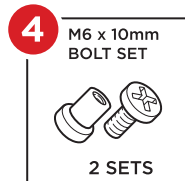
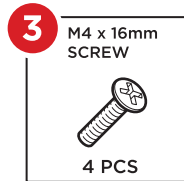
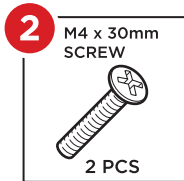
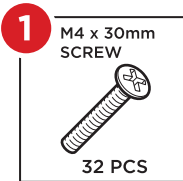


1 PERSON  
ASSEMBLY

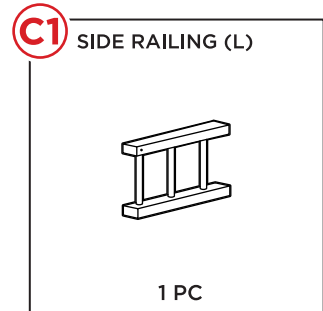
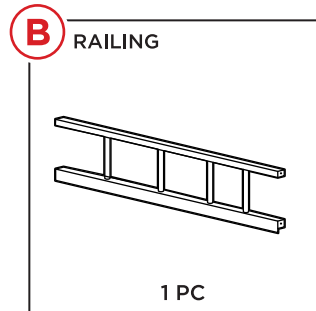
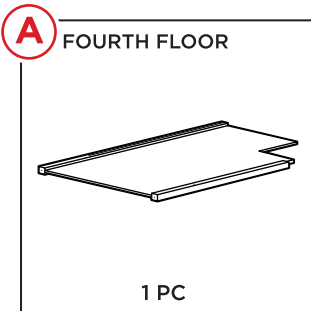


APPROXIMATELY  
45 MIN.  
ASSEMBLY

## HARDWARE



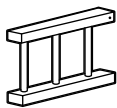
## PARTS



## PARTS

**C2**

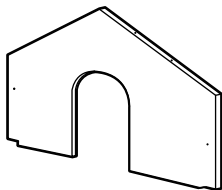
SIDE RAILING (R)



1 PC

**D**

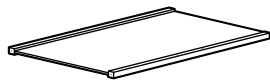
FOURTH FLOOR  
DOORWAY



1 PC

**E**

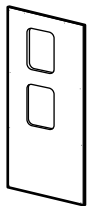
FIRST FLOOR



1 PC

**G**

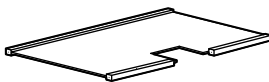
LEFT WALL



1 PC

**G**

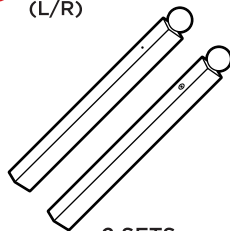
SECOND FLOOR



1 PC

**H**

FLOOR SUPPORTS  
(L/R)



2 SETS

**I**

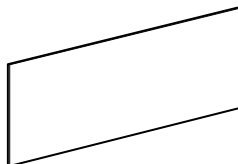
THIRD FLOOR



1 PC

**J**

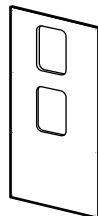
BACK WALL



3 PCS

**K**

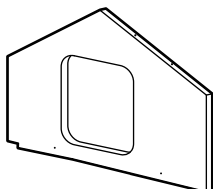
RIGHT WALL



1 PC

**L**

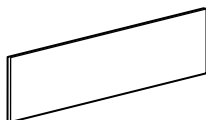
FOURTH FLOOR  
WINDOW



1 PC

**M**

FOURTH FLOOR BACK



1 PC

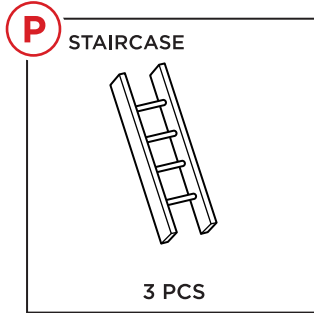
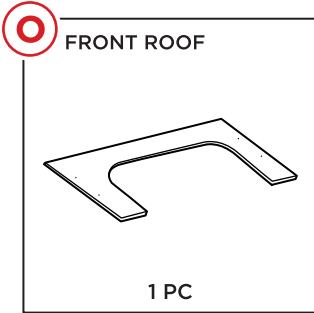
**N**

BACK ROOF



1 PC

## PARTS

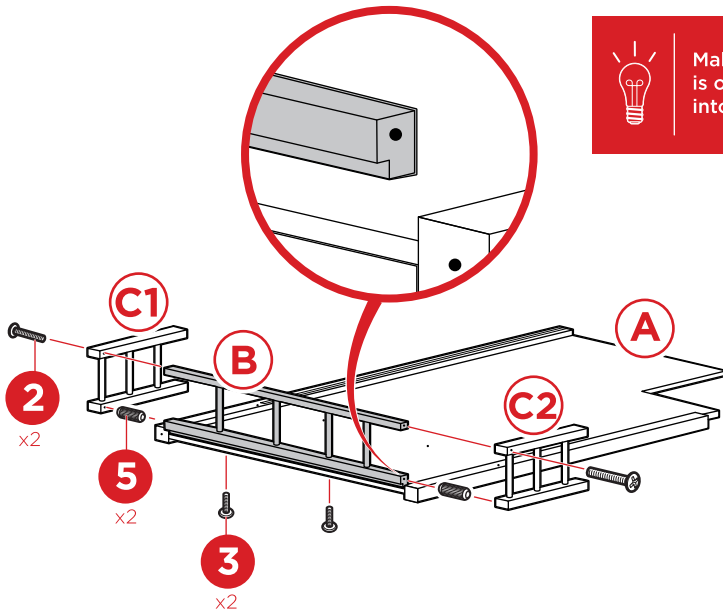


## PRODUCT ASSEMBLY

1

Attach the part B railing to the part A fourth floor with two part 3 screws.

Attach the part C1 left side rail and C2 right side rail with two part 5 dowels and two part 2 screws.

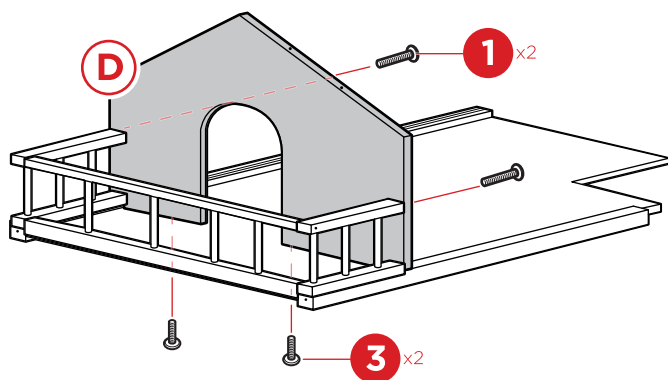


Make sure railing is oriented to fit into the slot.

## PRODUCT ASSEMBLY

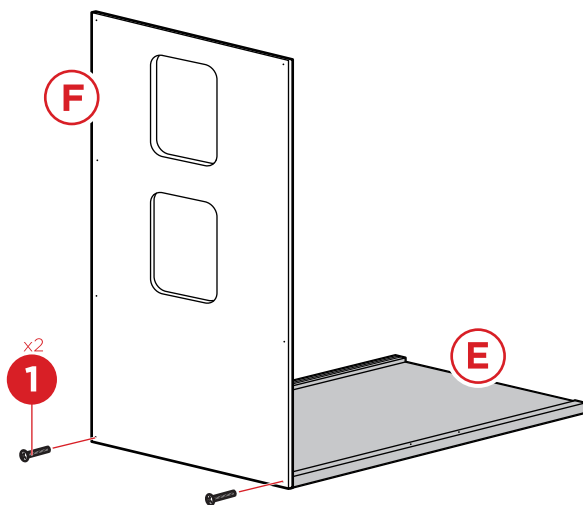
2

Attach the part D fourth floor doorway with two part 3 screws and two part 1 screws.



3

Attach the part F left wall to the part E first floor with two part 1 screws.

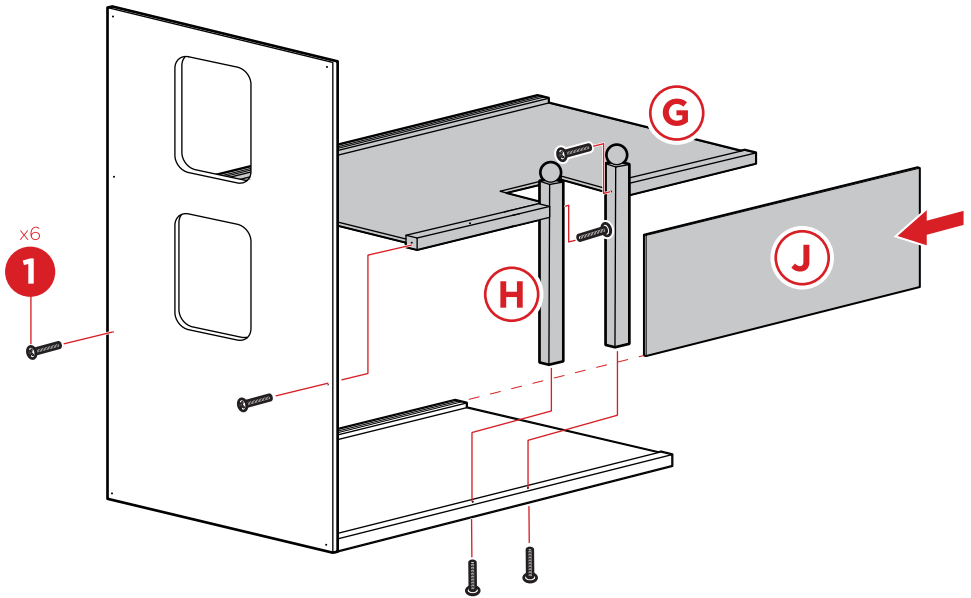


## PRODUCT ASSEMBLY

4

Attach part H floor supports (L/R) to the part G second floor with two part 1 screws, then attach the supports/floor with four part 1 screws.

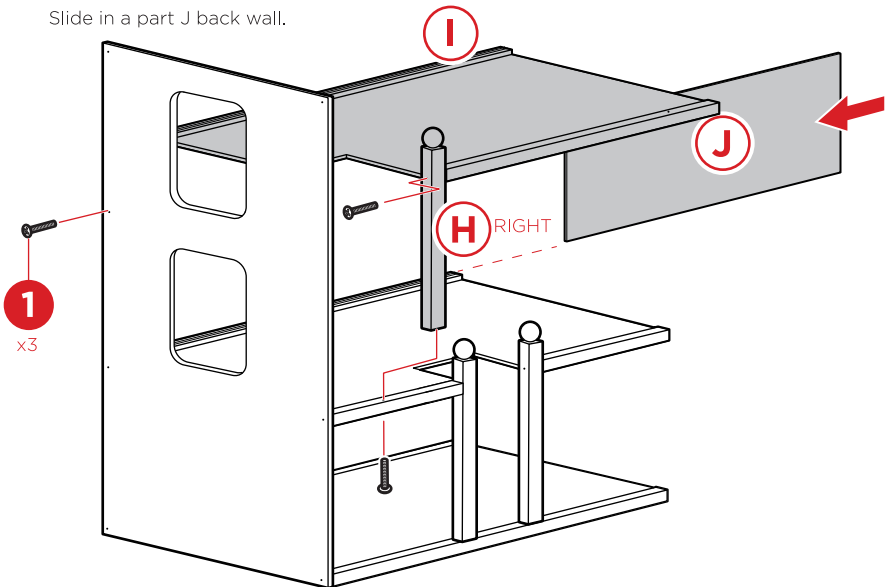
Slide in a part J back wall.



5

Attach part H right floor support to the part I third floor with a part 1 screw, then attach the support/floor with two part 1 screws.

Slide in a part J back wall.

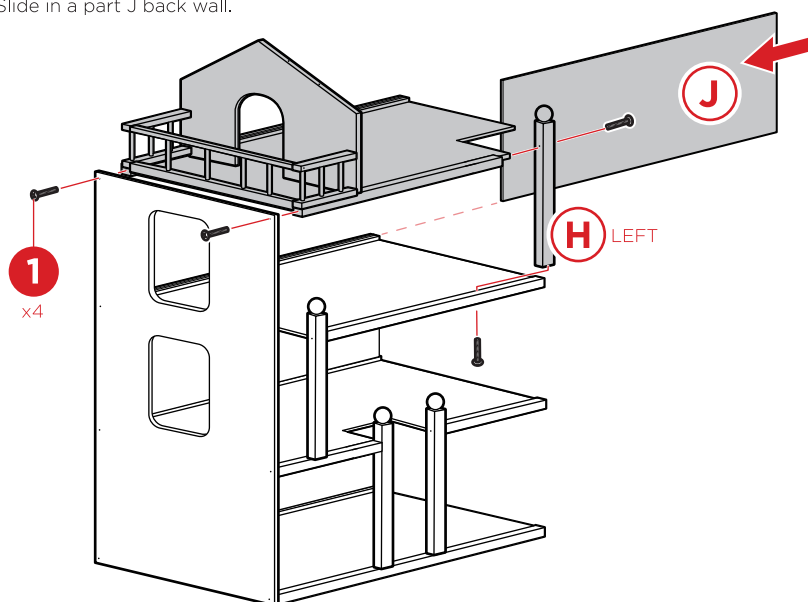


## PRODUCT ASSEMBLY

6

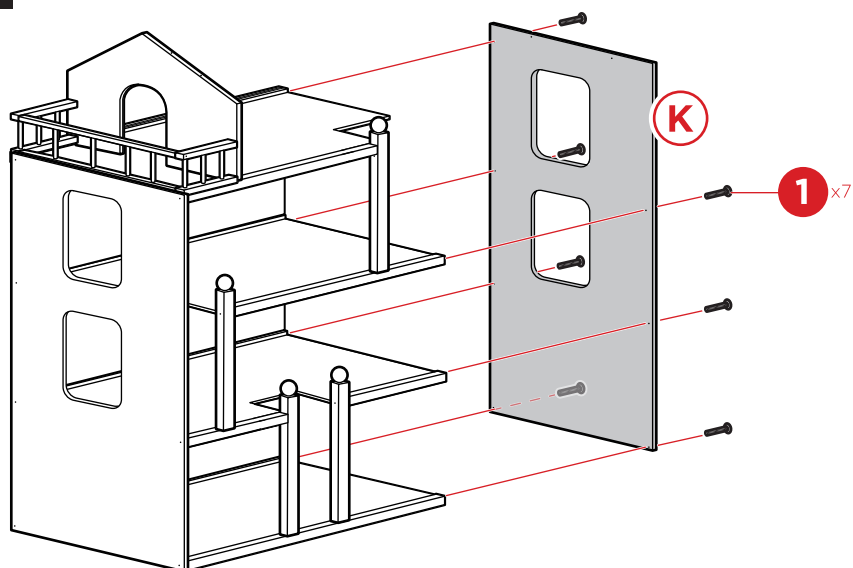
Attach part H left floor support to the assembled fourth floor with a part 1 screw, then attach the support/floor with three part 1 screws.

Slide in a part J back wall.



7

Attach the part K right wall with seven part 1 screws.

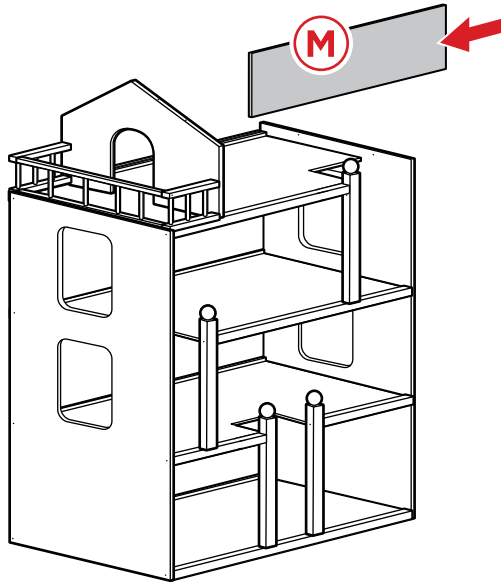




## PRODUCT ASSEMBLY

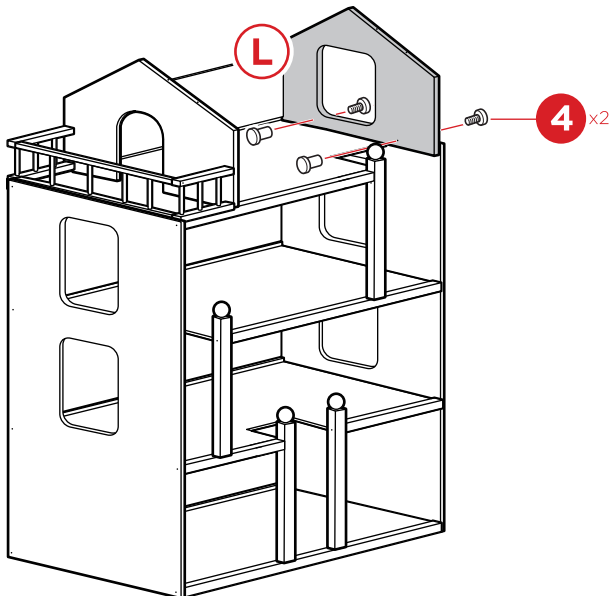
8

Slide in the part M fourth floor back.



9

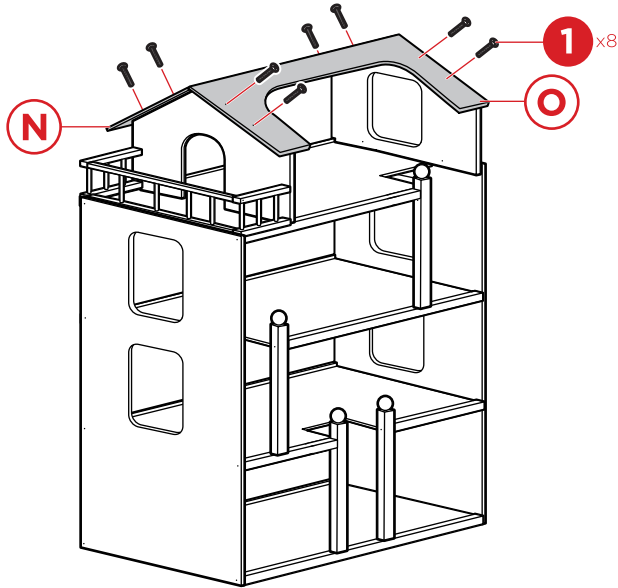
Attach the part L fourth floor window with two part 4 bolt and cap nut sets.



## PRODUCT ASSEMBLY

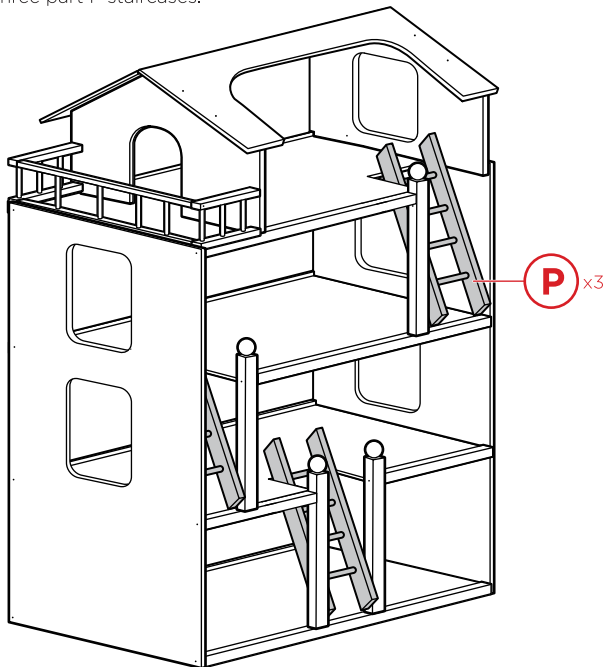
10

Attach the part N back roof and part O front roof with eight part 1 screws.

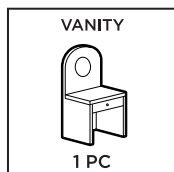
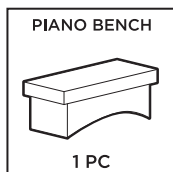
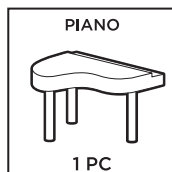
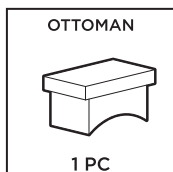
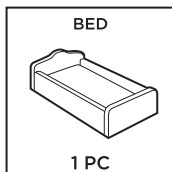
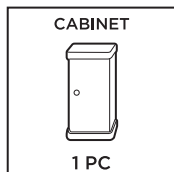
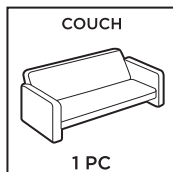
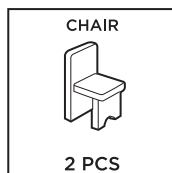
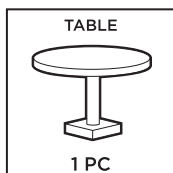
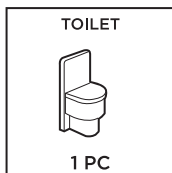
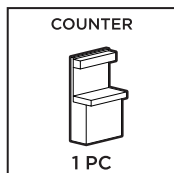
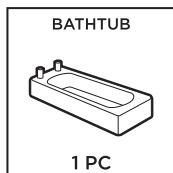


12

Place the three part P staircases.

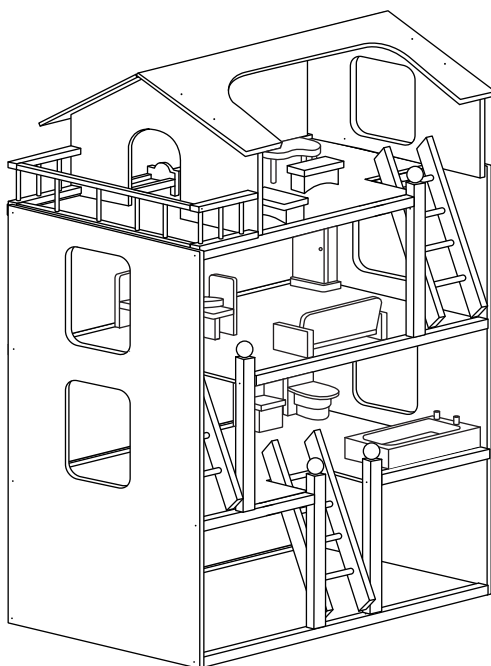


## ACCESSORIES



## PLACING ACCESSORIES

Use the included accessories to decorate the rooms of the dollhouse to your liking.





# HELP CENTER



Question about your product? We're here to help. Visit us at:

[help.bestchoiceproducts.com](http://help.bestchoiceproducts.com)



Chat Support



Product Inquiry



Orders FAQ



Product Assembly



Returns & Refunds

## PRODUCT WARRANTY INFORMATION

All items can be returned for any reason within 60 days of the receipt and will receive a full refund as long as the item is returned in its original product packaging and all accessories from its original shipment are included. All returned items will receive a full refund back to the original payment method. All returned items will not be charged a re-stocking fee.

All returned items require an RA (Return Authorization) number, which can only be provided by a Best Choice Products Customer Service Representative when the return request is submitted. Items received without an RA may not be accepted or may increase your return processing time. Once an item has been received by Best Choice Products, refunds or replacements will be processed within 5 business days.

All returns must be shipped back to the Best Choice Products Return Center at the customer's expense. If the reason for return is a result of an error by Best Choice Products then Best Choice Products will provide a pre-paid shipping label via email. Boxes for return shipping will not be provided by Best Choice Products, and is the customer's responsibility to either use the original shipping boxes or purchase new boxes.

Pictures may be required for some returns to ensure an item is not damaged prior to its return. Items returned are not considered undamaged until they are received by Best Choice Products and verified as such. All damages to items are the customer's responsibility until the item has been received by and acknowledge by Best Choice Products as undamaged.

## WARNING

Manufacturer and seller expressly disclaim any and all liability for personal injury, property damage or loss, whether direct, indirect, or incidental, resulting from the incorrect attachment, improper use, inadequate maintenance, or neglect of this product.