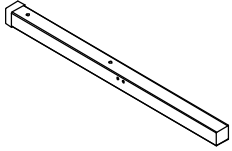


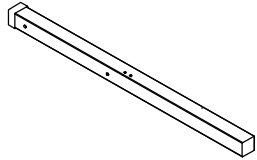
# ASSEMBLY INSTRUCTION

## 2020TBK-1 METAL TWIN BED

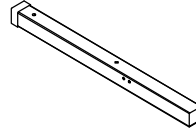
### PART LIST:



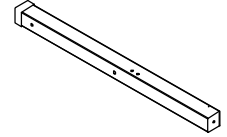
A:LSF Headboard Post  
1PC



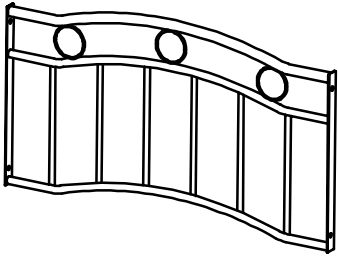
B:RSF Headboard Post  
1PC



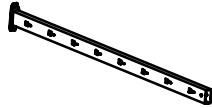
C:LSF Footboard Post  
1PC



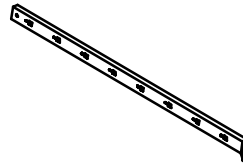
D:RSF Footboard Post  
1PC



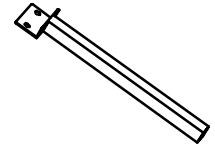
E:Headboard/Footboard  
2PCS



F:Rail section(1)  
2PCS



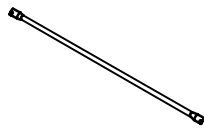
G:Rail section(2)  
2PCS



H:Rail Support Leg  
2PCS



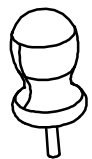
J:Center support Bar  
1PC



N:Slat  
16PCS



O:Slat Connector  
32PCS



P:Finial  
4PCS

### HARDWARE LIST:

Q\*20PCS



1/4\*13MM

R\*4PCS



1/4\*32MM

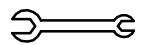
S\*4PCS



1/4



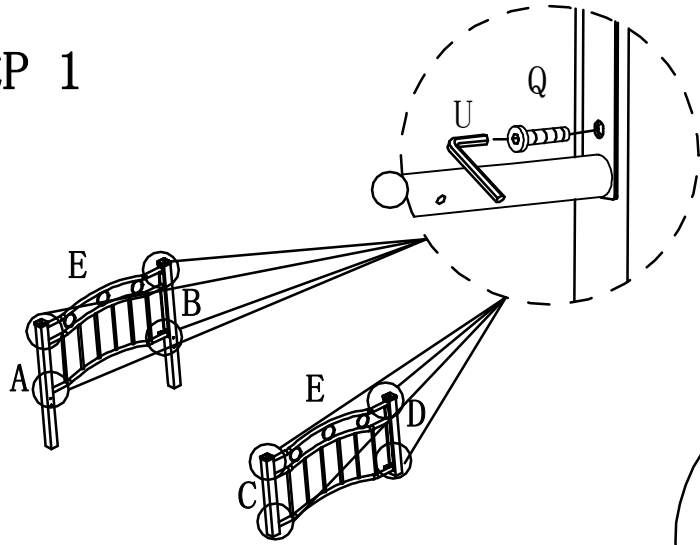
U\*1PC



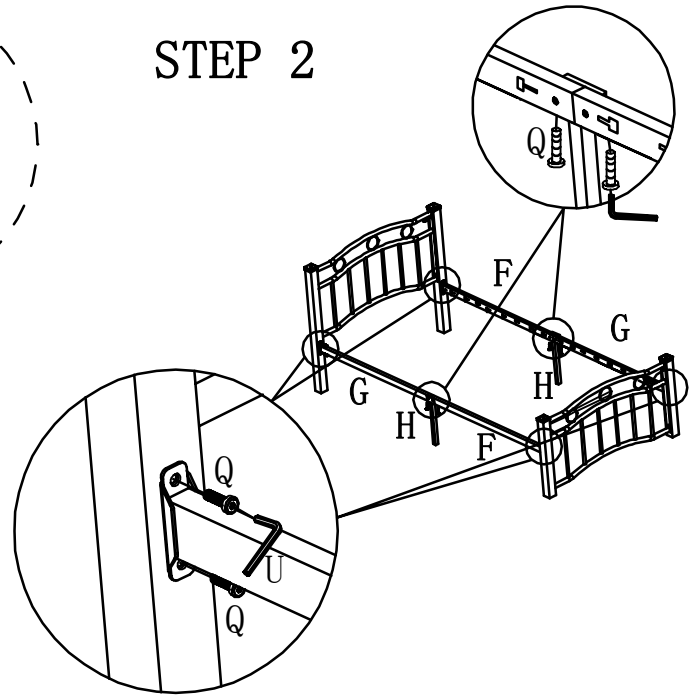
V\*1PC

Note: Pls do not tighten all bolts until the bed is assembled completely

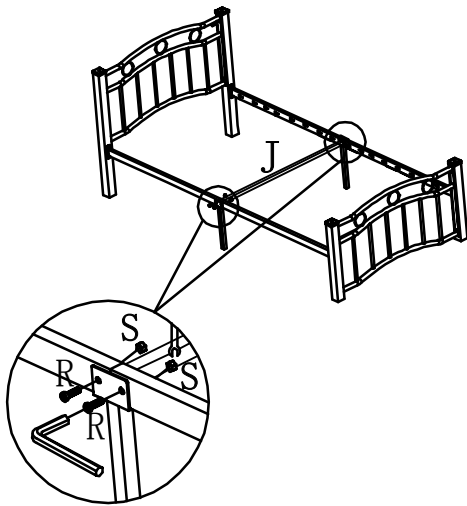
STEP 1



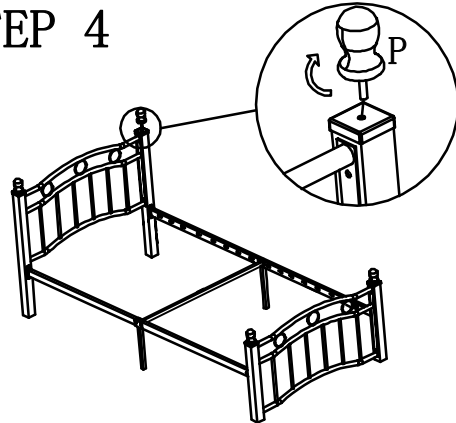
STEP 2



STEP 3



STEP 4



STEP 5

