

DLR3

3" Recessed LED Downlight

Product Description

The DLR3 combines price, performance and design all in one package. Compatible with most 3" recessed housings, this luminaire delivers incredible color accuracy with 90+ CRI and flexible dimming capabilities. The DLR3 is an ideal commercial, retail, institutional or residential downlight choice for retrofit or new construction. Redesigned to boost energy efficiency, the LED light engine draws only 8 watts while improving light output to over 600 lumens. The enriched 90+ CRI provides superior color quality, along with an R9 greater than 50. Not only is the light quality better, but this design improvement meets new industry standards like Title 24 and CEC.

Construction

- Spun aluminum trim routes heat away from electrical components

Optical System

- Polystyrene diffuser and reflector cone create a uniform light distribution that reduces glare without sacrificing lumen output

Electrical

- Utilizes high performing LEDs with greater than 90 CRI and an R9 greater than 50
- Dimmable to 10% with most standard triac dimmers
- Operating temperature rating of 0°F to 120°F (-18°C to 49°C)
- Input voltage of 120V
- Lifetime rated for greater than 50,000 hours
- LM-79, LM-80 testing performed in accordance with IESNA standards

Finish

- Exterior white powder coat finish, with interior high reflective finish
- Also available in Black, Oil-Rubbed Bronze and Nickel

Installation

- Compatible with most 3" recessed housings
- Quick and easy installation with a snap-in IDEAL connector and friction clip mounting system

Warranty

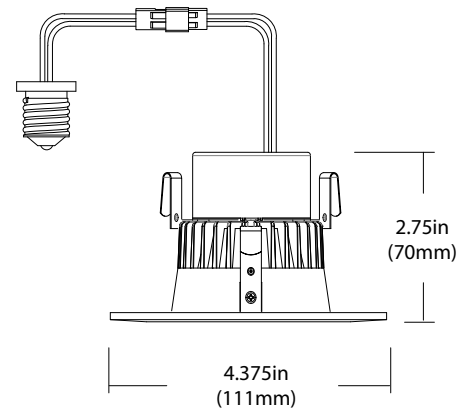
- 5-year limited system warranty standard

Project _____

Catalog _____

Type _____

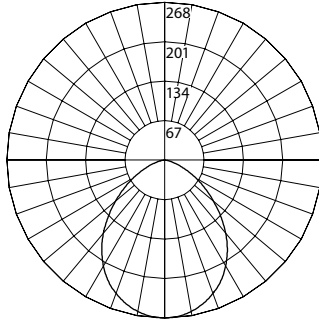
Date _____



Photometric Data

DLR3 2700K

Input Voltage (VAC)	120V
System Level Power (W)	8.0
Delivered Lumens (Lm)	558
System Efficacy (Lm/W)	69.8
Correlated Color Temp (K)	2689
Color Rendering Index (CRI)	91
Beam Angle	90°
Spacing Criteria	1.18



Intensity Summary (Candle Power)

Angle	Mean CP
0	268
5	266
15	253
25	227
35	186
45	135
55	85
65	43
75	14
85	3
90	0

CCT Data Multiplier

DLR3-10-120-3K	1.100
DLR3-10-120-4K	1.211

Cone of Light Tabulation

Mounted height (Feet)	Footcandles Beam Center	Diameter (Feet)
4	16.7	4.7
6	7.4	7.0
8	4.2	9.2
10	2.6	11.7
12	1.9	13.5
14	1.4	16.0
16	1.1	19.3

Zonal Lumen Summary

Zone	Lumens	% of Luminaire
0-30	200	35.9%
0-40	316	56.7%
0-60	496	88.9%
0-90	558	100.0%
90-180	0	0.0%
0-180	558	100.0%

Fixture tested per LM-79-08. Photometric data is of the performance of a representative fixture. Results may vary in the field.

Performance Data

Model Number	Lumens	Watts	Lumens/Watt
DLR3-10-120-2K	558	8.0	69.8
DLR3-10-120-3K	614	8.0	76.7
DLR3-10-120-4K	675	8.0	84.4

Recommended Dimmers*

- Lutron Toggler TGCL-153P
- Lutron DIVA DVCL-153P
- Lutron Skylark SCL-153P
- Lutron Skylark Contour CTCL-153P
- Lutron DIVA DVELV-300P

Housing Compatibility*

- 13200A-LED 3" LED IC AIRTIGHT NEW CONST. HOUSING
- 13201AR-LED 3" LED IC AIRTIGHT REMODEL HOUSING
- MOST STANDARD 3" RECESSED HOUSINGS

*Not a complete list. Check compatibility before installation.

Ordering Information

Example: DLR3-10-120-3K-WH-BF

Series	Version	Voltage	CCT's	Trim Color
DLR3	10 (Version 1)	120 (120V)	2K (2700 K)	WH-BF (White Baffle)
			3K (3000 K)	BK-BF (Black Baffle)*
			4K (4000 K)	NK-BF (Nickel Baffle)*
				OB-BF (Oil-Rubbed Bronze Baffle)*

*Only available as special order. Contact NICOR for more info. Specifications and dimensions subject to change without notice.

Accessories

accessories sold separately

GU24 Socket String

GU24-IDEAL-SKT-STR