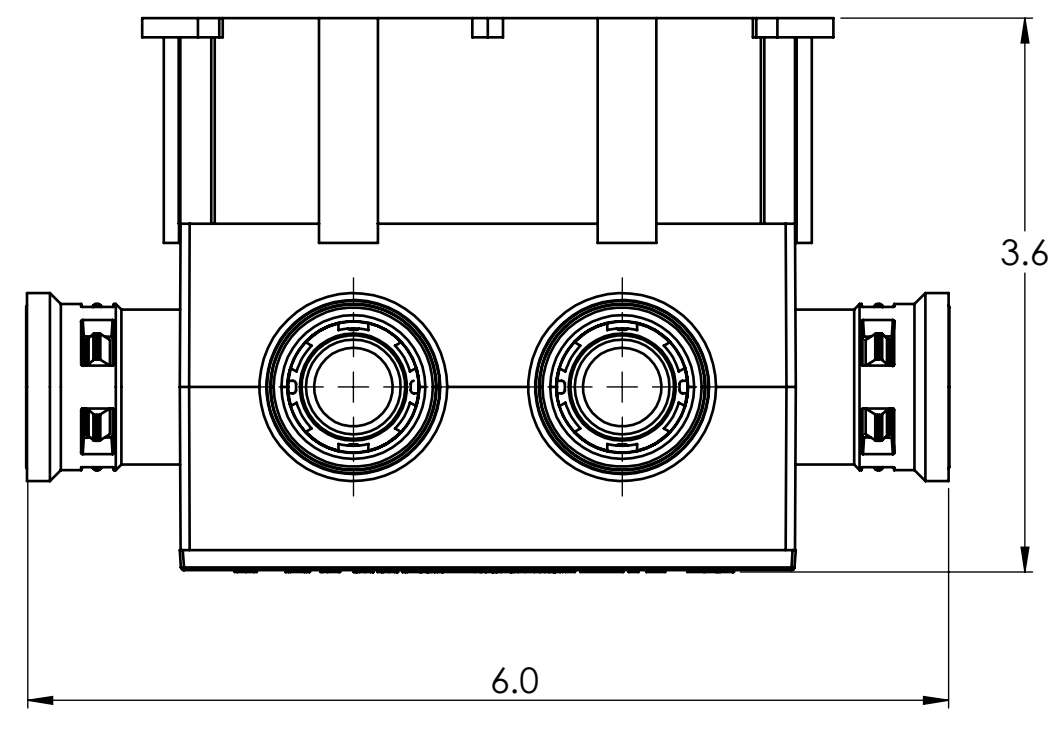
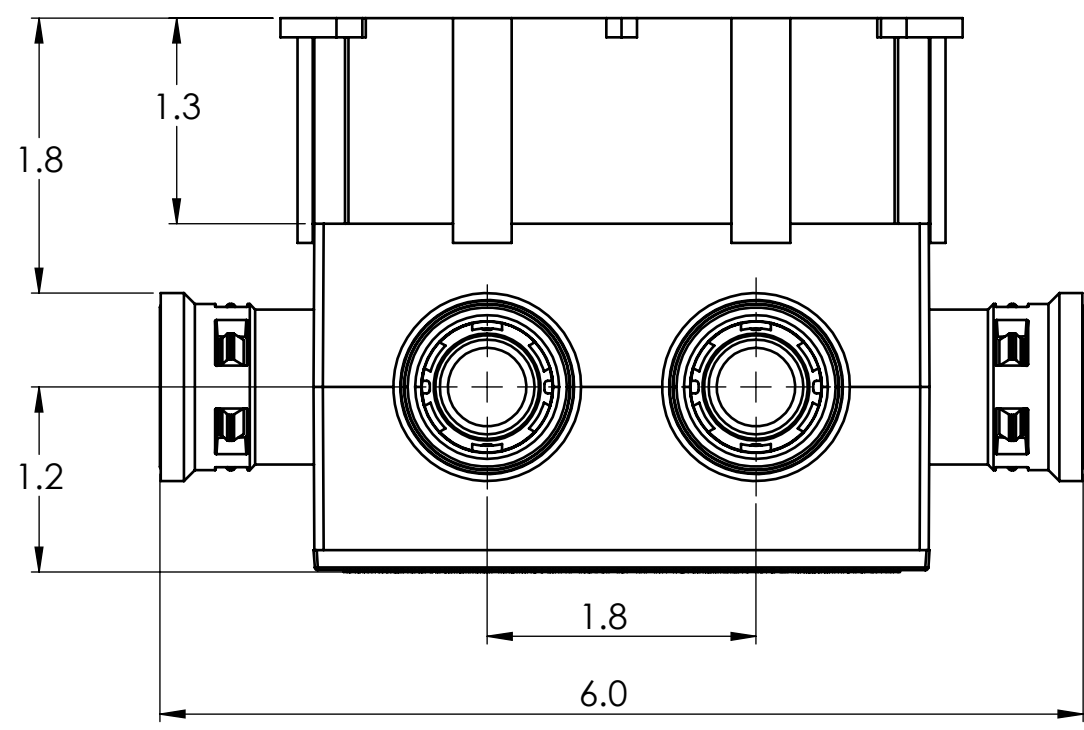
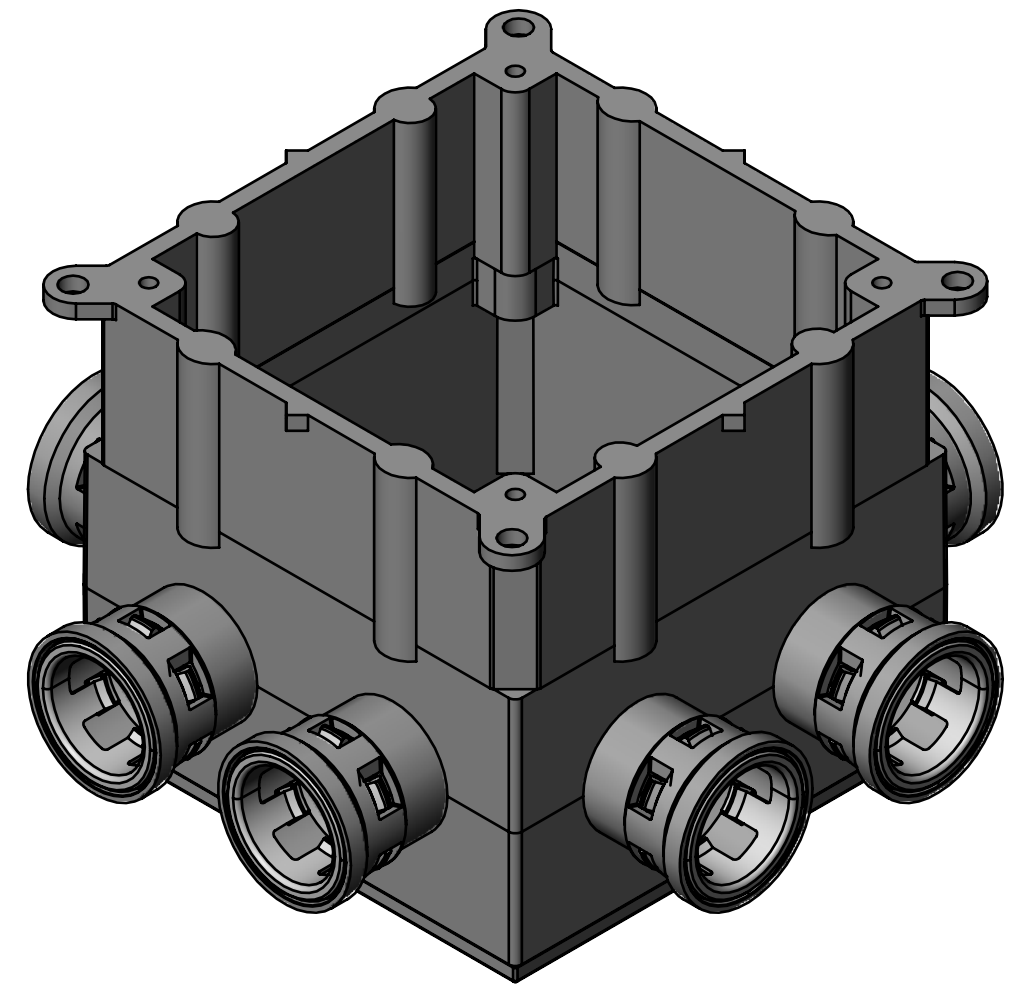


8 x 1/2" Retainer Hub



PLASTIC/RUBBER SIZES

SIZES SHOWN ARE FOR REFERENCE 3D MODEL IS TO BE USED FOR MANUFACTURING / VERIFICATION		ALL CHANGES MUST BE APPROVED AND RECORDED BY ENGINEERING		
UNIT: INCHES UNLESS DUAL DIMENSION: INCH [METRIC]	PROJECTION 	IPEX Technologies Inc.		
THIS DRAWING AND ALL TECHNICAL INFORMATION APPEARING HEREON ARE PROPERTY OF IPEX TECHNOLOGIES INC. AND MUST BE KEPT IN CONFIDENCE BY THE RECIPIENT. THE SAME MAY NOT BE USED OR REPRODUCED EITHER IN WHOLE OR IN PART WITHOUT THE EXPRESS CONSENT OF IPEX TECHNOLOGIES INC.		TITLE SSBH-10 PVC SQUARE SLAB BOX KWIKON		
PART APPEARANCE:	COLOR:	PAPER SIZE ANSI B	NAME S.S	DATE 2020-12-07
SURFACE FINISHES: (UNLESS OTHERWISE NOTED)		DRAWN	SCALE: NA	MATL:
INSIDE:	OTHER:	APP'D	PRODUCT CODE: 089467	PROJECT No.
DIMENSIONS ARE IN INCHES TOLERANCES (UNLESS OTHERWISE SPECIFIED) FRACTIONAL ± 1/32 X.X ± 0.015 X.XX ± 0.010 X.XXX ± 0.005 ANGULAR ± 1.0		CRITICAL DIMENSIONS ARE SHOWN AS **DIM** REFERENCE DIMENSIONS ARE SHOWN WITH REF. NOTE		
FILENAME:	FOLDER:			