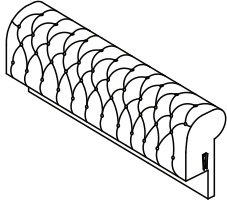
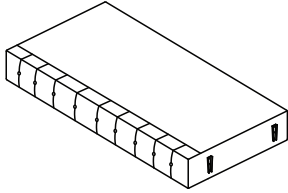
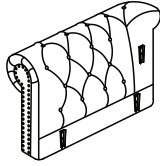
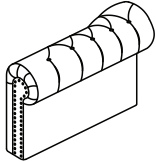
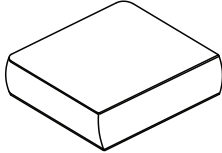
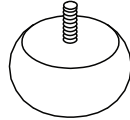
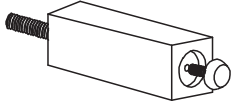

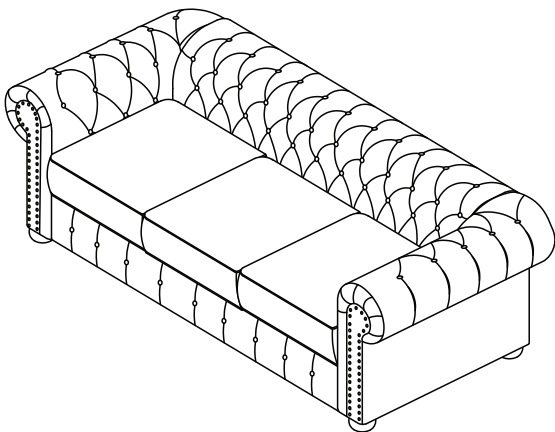


ASSEMBLY INSTRUCTION

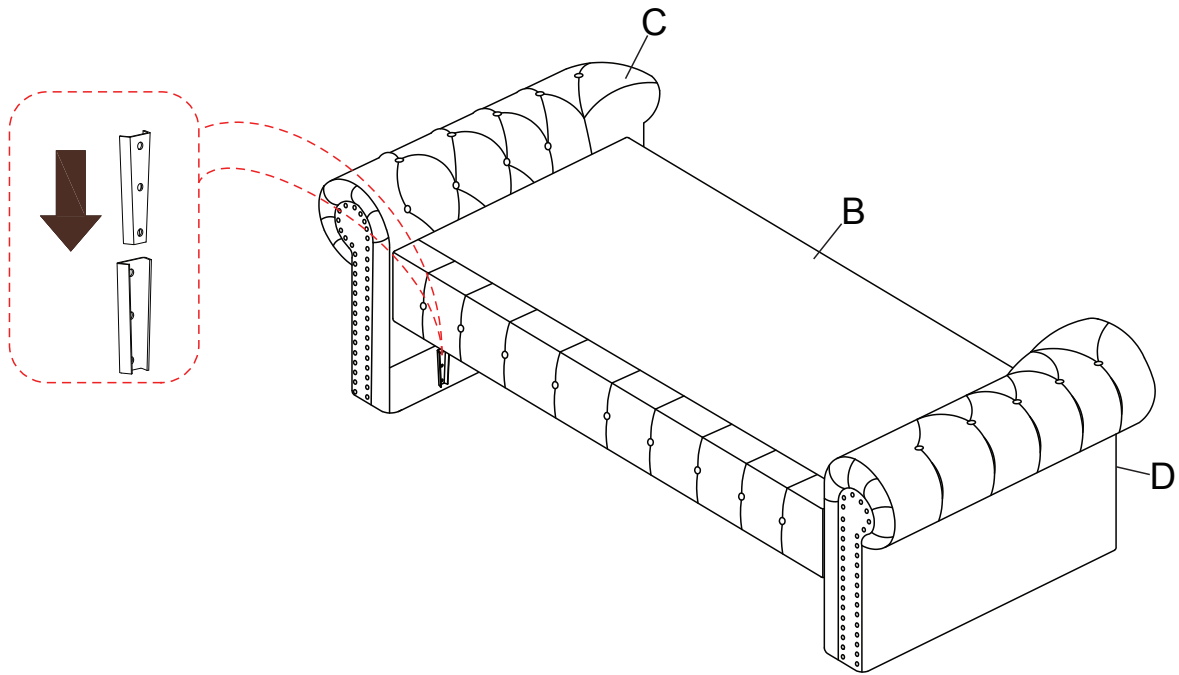
SOFA

A Back Frame	B Seat Frame	C Left Arm
		
1pc	1pc	1pc
D Right Arm	E Seat Cushion	F Wooden Leg
		
1pc	3pcs	4pcs
G Center Leg	H Plastic Plate 2"*1mm	
		
1pc	1pc	

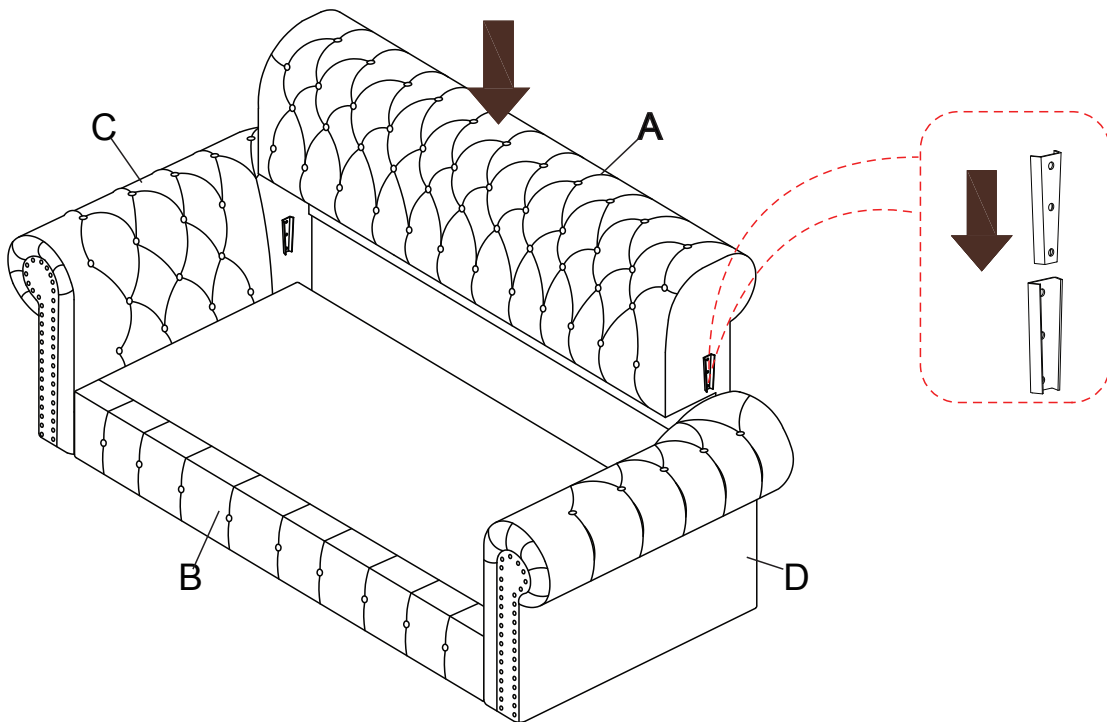


This page lists all the contents included in the box. Please take the time to identify the hardware as well as the individual components to this product. As you unpack and prepare for assembly, place the contents on a carpeted or padded area to protect them from damage.

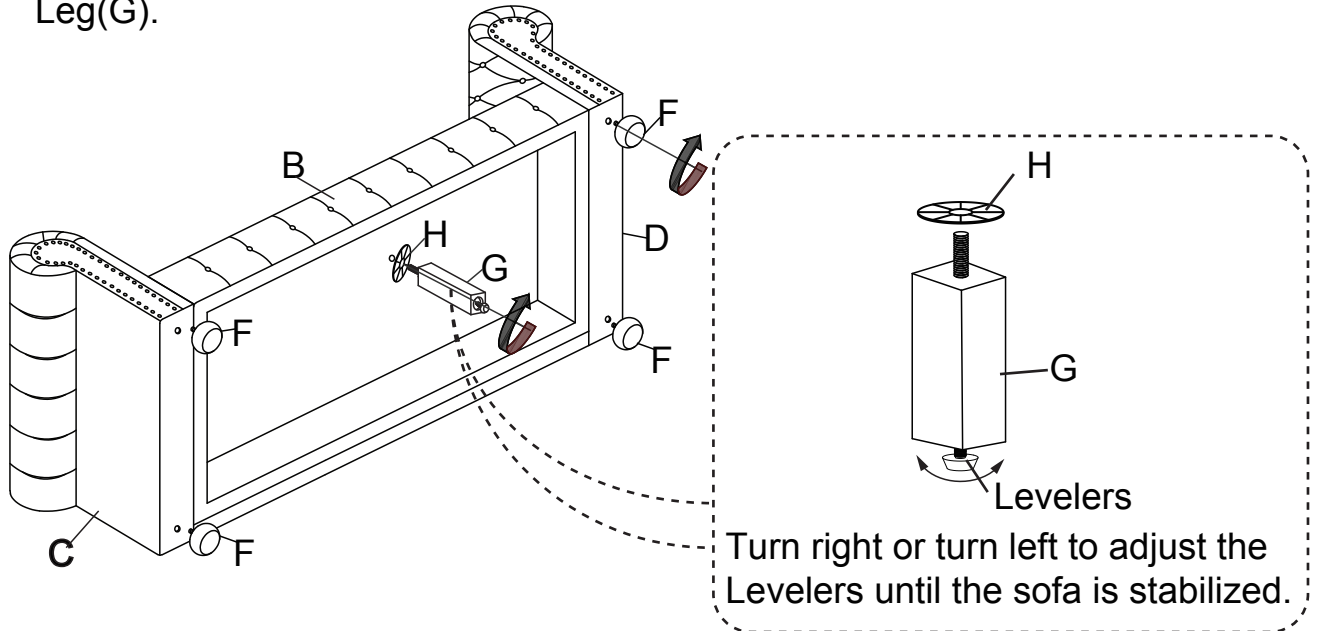
1 Hook the Seat Frame(B) onto the Left Arm(C) & Right Arm(D) properly.



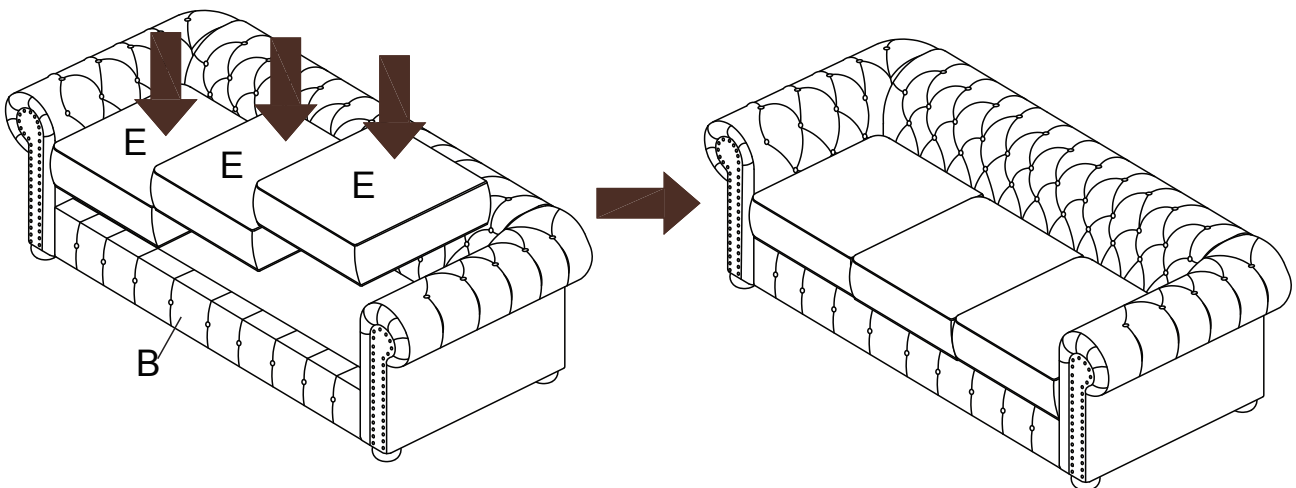
2 Hook the Back Frame(A) onto the Left Arm(C) & Right Arm(D) properly.



- 3** Please flip over the sofa on a smooth flat surface. Align the Wooden Leg(F) to Left Arm(C) & Right Arm(D), and align Center Leg(G) with Plastic Plate(H) to the pre-drilled hole of Seat Frame(B), then tighten the Wooden Leg(F) & Center Leg(G).



- 4** Put the Seat Cushion(E) on Seat Frame(B).



Cleaning & Care

Treat surface with care. Surface is resistant to scratches but is not scratch resistant. Clean surfaces with a dry or damp soft cloth. Do not use abrasive cleaners. Hardware may loosen over time. Periodically check that all connections are tight.