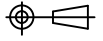
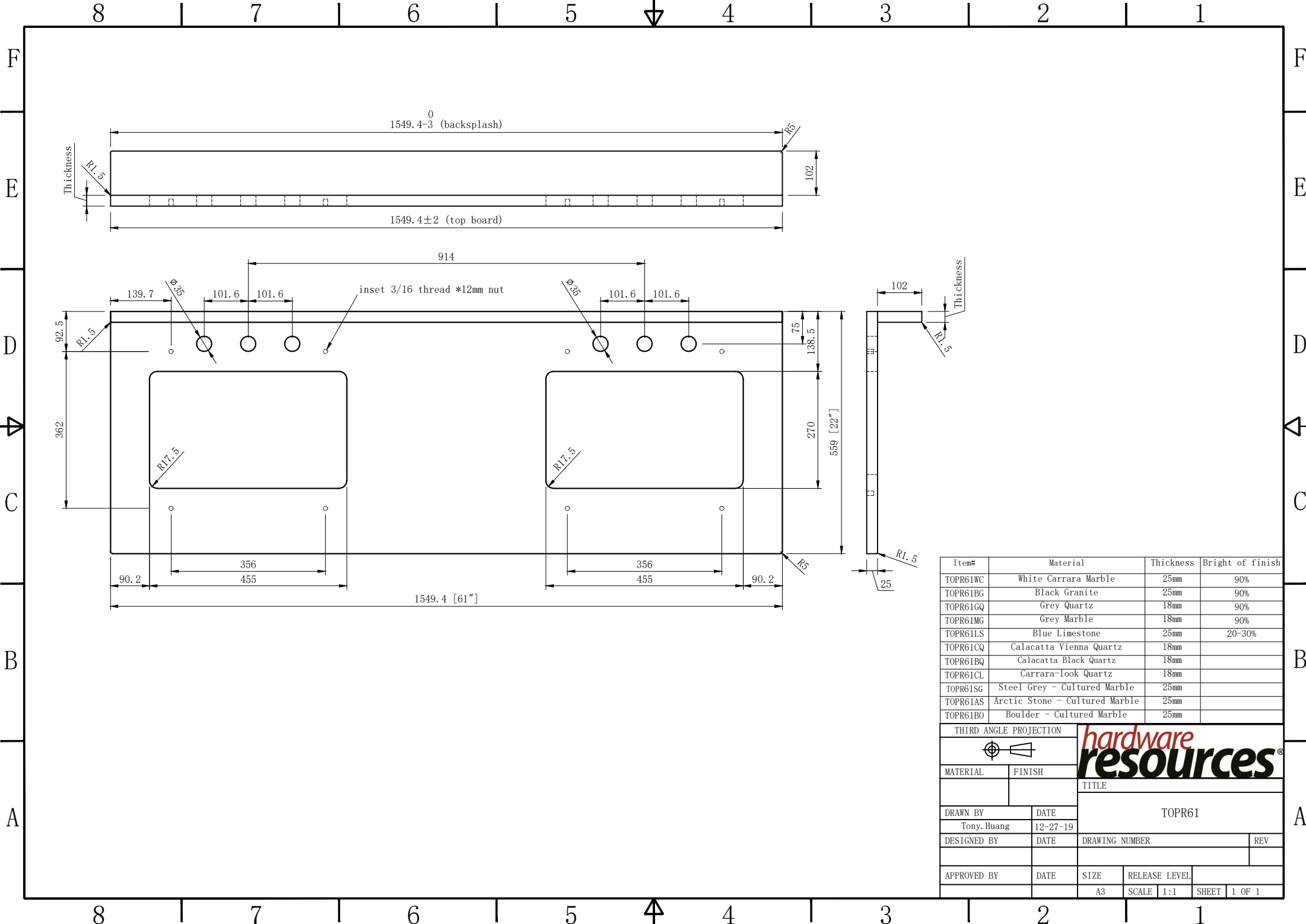


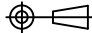
Item#	Material	Thickness	Bright of finish
TOPO61WC	White Carrara Marble	25mm	90%
TOPO61BG	Black Granite	25mm	90%
TOPO61GQ	Grey Quartz	18mm	90%
TOPO61MG	Grey Marble	18mm	90%
TOPO61LS	Blue Limestone	25mm	20-30%
TOPO61CQ	Calacatta Vienna Quartz	18mm	
TOPO61BQ	Calacatta Black Quartz	18mm	
TOPO61CL	Carrara-look Quartz	18mm	
TOPO61SG	Steel Grey - Cultured Marble	25mm	
TOPO61AS	Arctic Stone - Cultured Marble	25mm	
TOPO61BO	Boulder - Cultured Marble	25mm	

THIRD ANGLE PROJECTION						hardware resources [®]	
MATERIAL		FINISH					
				TITLE			
DRAWN BY		DATE		TOPR61			
Tony.Huang		12-27-19					
DESIGNED BY		DATE		DRAWING NUMBER		REV	
APPROVED BY		DATE		SIZE		RELEASE LEVEL	
				A3		SCALE 1:1 SHEET 1 OF 1	



Item#	Material	Thickness	Bright of finish
TOPR61WC	White Carrara Marble	25mm	90%
TOPR61BG	Black Granite	25mm	90%
TOPR61GQ	Grey Quartz	18mm	90%
TOPR61MG	Grey Marble	18mm	90%
TOPR61LS	Blue Limestone	25mm	20-30%
TOPR61CQ	Calacatta Vienna Quartz	18mm	
TOPR61BQ	Calacatta Black Quartz	18mm	
TOPR61CL	Carrara-look Quartz	18mm	
TOPR61SG	Steel Grey - Cultured Marble	25mm	
TOPR61AS	Arctic Stone - Cultured Marble	25mm	
TOPR61BO	Boulder - Cultured Marble	25mm	

THIRD ANGLE PROJECTION



hardware resources

MATERIAL	FINISH	TITLE	
		TOPR61	
DRAWN BY	DATE	DRAWING NUMBER	
Tony.Huang	12-27-19		REV
DESIGNED BY	DATE	RELEASE LEVEL	
		A3	SCALE 1:1 SHEET 1 OF 1

8 7 6 5 4 3 2 1

F

F

E

E

D

D

C

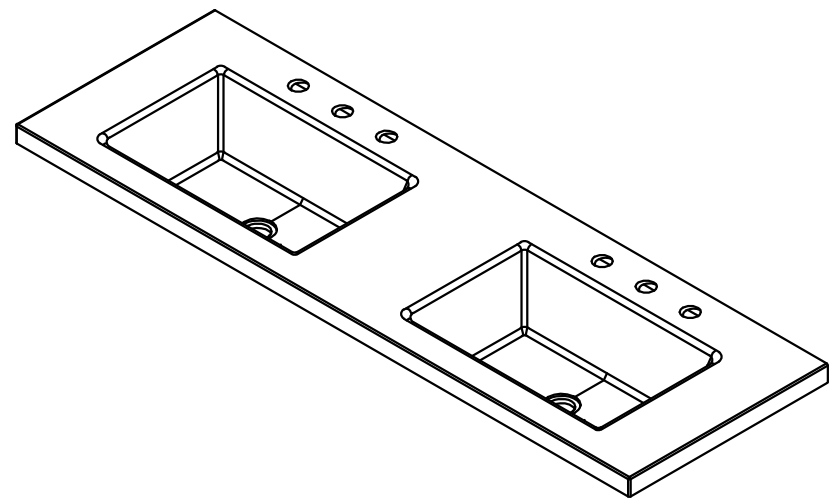
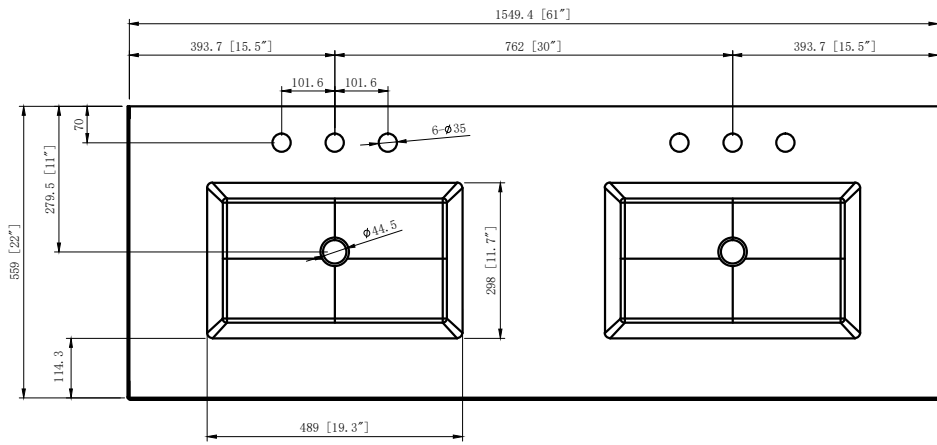
C

B

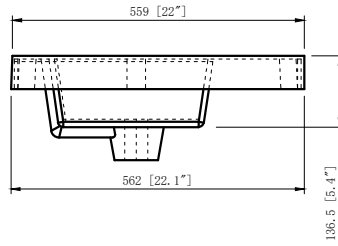
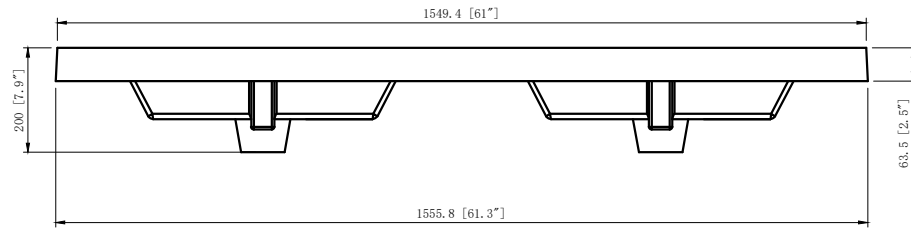
B

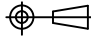
A

A



Material :Lavante - Cultured Marble



THIRD ANGLE PROJECTION						hardware resources [®]			
MATERIAL									
DRAWN BY		DATE		TOPR61LA				A	
Tony. Huang		04-28-20		DRAWING NUMBER				REV	
DESIGNED BY		DATE		A3				SCALE 1:1	
APPROVED BY		DATE		SIZE		RELEASE LEVEL		SHEET 1 OF 1	

8 7 6 5 4 3 2 1