

8' x 8' MERIDIAN WOOD GAZEBO

with ALUMINUM ROOF

Installation and Operating Instructions – YM11827

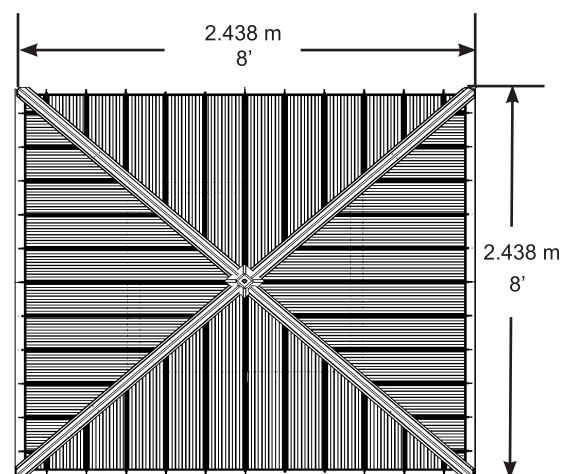


IMPORTANT, RETAIN FOR FUTURE REFERENCE: READ CAREFULLY

Revised 10-28-2021

**YARDISTRY**[®]

Yardistry – North America
Toll Free Customer Support:
1.888.509.4382
info@yardistrystructures.com
www.yardistrystructures.com



HEIGHT:
2.692 m / 8' 10"

Important Safety Notice!

Yardistry components are intended for privacy, decorative and ornamental use only.

Product is NOT INTENDED for the following:

- A safety barrier to prevent unsupervised access to pools, hot tubs, spas or ponds.
- As load bearing support for a building, structure, heavy objects or swings.
- Used in structures that trap wind, rain or snow that would create extra load on the product.

Accumulated snow must be removed from roof.

DO NOT climb or walk on roof for any reason.

Permanent structures may require a building permit. As the purchaser and or installer of this product you are advised to consult local planning, zoning and building inspection departments for guidance on applicable building codes and/or zoning requirements.

Wood is NOT flame retardant and will burn. Grills, fire pits and chimineas are a fire hazard if placed too close to a Yardistry structure. Consult user's manual of the grill, fire pit or chimenea for safe distances from combustible materials.

Wear gloves to avoid injury from possible sharp edges of individual elements before assembly.

During installation, follow all safety warnings provided with your tools and use OSHA approved safety glasses. Some structures may require two or more people to install safely.

Check for underground utilities before digging or driving stakes into the ground!

It is important during assembly to closely follow the instructions, complete the assembly on a solid level surface and that you follow the instruction to square up, level and anchor the structure, this will reduce the gap at wood connections during assembly.

General Information

General Information: Wood components are manufactured with Cedar (C. Lanceolata) which is protected with factory applied water-based stain. Knots, small checks (cracks) and weathering are naturally occurring and do not affect the strength of the product. Annual application of a water-based water repellent sealant or stain is important and will help reduce weathering and checks.

www.yardistrystructures.com

Questions?

Call toll free or write us at:

1 (888) 509-4382

info@yardistrystructures.com

Patents Pending

Limited Warranty

Yardistry warrants that this product is free from defect in materials and workmanship for a period of one (1) year from the original date of purchase. In addition, for any product with lumber, all lumber is warranted for five (5) years against rot and decay. This warranty applies to the original owner and registrant and is non-transferable.

Regular maintenance is required to assure the integrity of your product and is a requirement of the warranty. This warranty does not cover any inspection costs.

This Limited Warranty does not cover:

- Labour for replacement of any defective item(s);
- Incidental or consequential damages;
- Cosmetic defects which do not affect performance or integrity;
- Vandalism; improper use or installation; acts of nature, including but not limited to wind, storms, hail, floods, excessive water exposure;
- Minor twisting, warping, checking or any other natural occurring properties of wood that do not affect performance or integrity.

Yardistry products have been designed for safety and quality. Any modifications made to the original product could damage the structural integrity of the product leading to failure and possible injury. Yardistry cannot assume any responsibility for modified products. Furthermore, modification voids any and all warranties.

This product is warranted for RESIDENTIAL USE ONLY. Yardistry disclaims all other representations and warranties of any kind, express or implied.

This Warranty gives you specific legal rights. You may have other rights as well which vary from state to state or province to province. This warranty excludes all consequential damages, however, some states/provinces do not allow the limitation or exclusion of consequential damages, and therefore this limitation may not apply to you.

Instructions for Proper Maintenance

Your Yardistry structure is designed and constructed of quality materials. As with all outdoor products it will weather and wear. To maximize the enjoyment, safety and life of your structure it is important that you, the owner, properly maintain it.

HARDWARE:

- Check metal parts for rust. If found, sand and repaint using a non-lead paint complying with 16 CFR 1303.
- Inspect and tighten all hardware after completion of assembly; after first month of use; and then annually. Do not over-tighten as to cause crushing and splintering of wood.
- Check for sharp edges or protruding screw threads, add washers if required.

WOOD PARTS:

- Applying a water repellent or stain (water-based) on a yearly basis is important maintenance to maintain maximum life and performance of the product.
- Check all wood members for deterioration, structural damage and splintering. Sand down splinters and replace deteriorated wood members. As with all wood, some checking and small cracks in grain is normal
- Some gapping may occur at some wood connections.

Assembly Guides

Tools Required:

- | | | |
|------------------------------|------------------|---------------------------|
| • Tape Measure | • Safety Glasses | • 6' Step Ladder x 2 |
| • Carpenters Level | • Adult Helper | • Square |
| • Standard or Cordless Drill | • Safety Gloves | • Ratchet |
| • Claw Hammer | • Hard Hat | • 7/16, 1/2 & 9/16 Socket |
| • 7/16" & 9/16" Wrench | | |

Symbols:

Throughout these instructions symbols are provided in the top, right-hand corner of the page.



- Use Help, where this is shown, 2, 3 or 4 people are required to safely complete this step. To avoid injury or damage to the assembly make sure to get some help.



- Use a measuring tape to assure proper location



- Pre-drill a pilot hole before fastening screw or lag to prevent splitting of wood.

If you dispose of your Yardistry structure: Please disassemble and dispose of your unit so that it does not create any unreasonable hazards at the time it is discarded. Be sure to follow your local waste ordinances.

Assembly Tips

Following are some helpful tips to make the assembly process smooth and efficient.

PRE-ASSEMBLIES:

(i.e. Post and Beam Assemblies, Roof Rafter Assembly, etc)

- Work on a raised, solid and flat surface such as, a table or saw horse.
- Keep all connections flush where shown in the instructions.
- When assembling the beams keep parts flat, straight and snug when connecting.

METAL PARTS:

- Roofing material may have sharp edges, wear safety gloves.
- Remove all plastic covering, on both sides of the metal panels, directly before installing each piece.
- Place roofing material on a non-abrasive surface before and after assembly as it can bend, dent and scratch easily.
- The roofing screws can easily crush the roof panels and roof edges when using a power drill. We recommend hand tightening the roofing screws so they sit snug and tight to the roofing material.

Permanent Installation Examples

Note: It is critically important you start with square, solid and level footings, concrete pad or deck to attach your Pergola Room.

We supply Post Mounts with this structure which gives you the flexibility to permanently install your structure to a pre-existing or new wood or concrete surface.

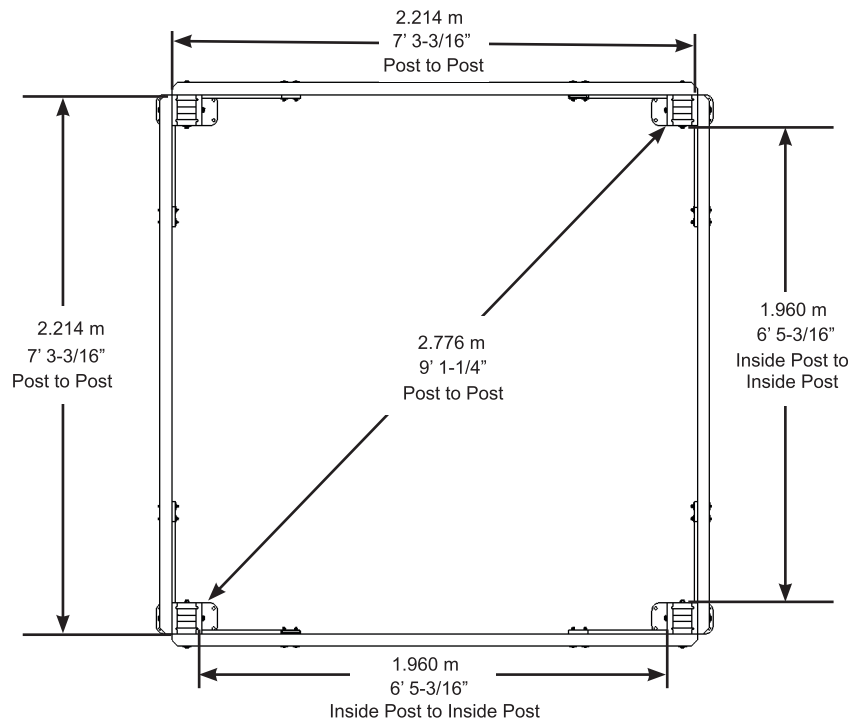
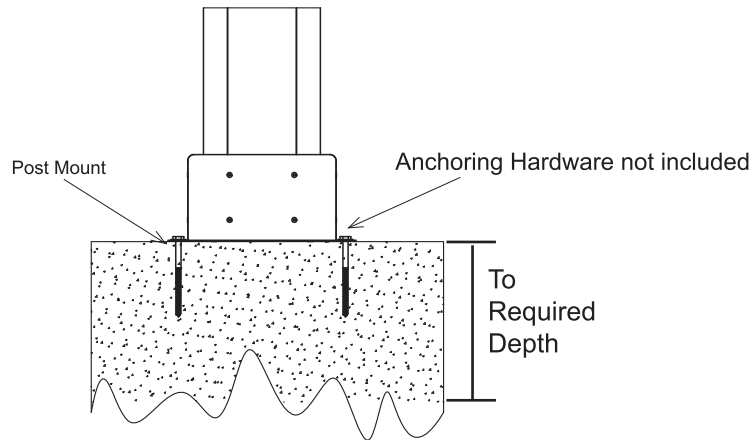
- The hardware to attach the Post Mount to the structure is included.
- The hardware to mount the structure permanently will need to be purchased separately at your local hardware store.

If you are mounting to concrete footers see below for the correct locations and placement. Please double check for possibility of any underground utilities such as gas, telephone, cable or sprinkler lines.

Following are some examples of how to mount the structure to wood or concrete surfaces.

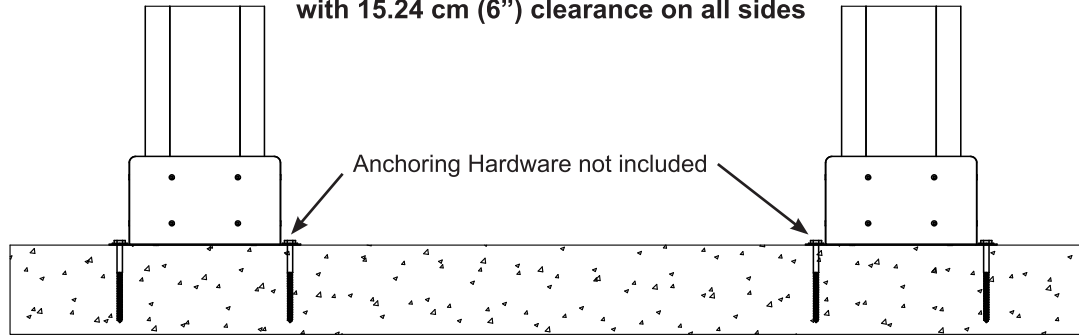
Refer to your local building and city codes, ordinances, neighbourhood covenants, or height restrictions regarding this type of structure for guidance on acceptable installation requirements.

Concrete Footer

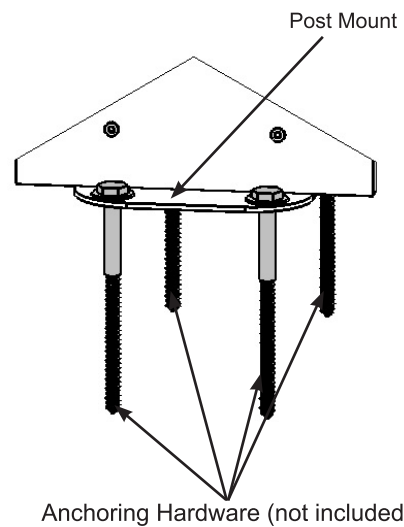
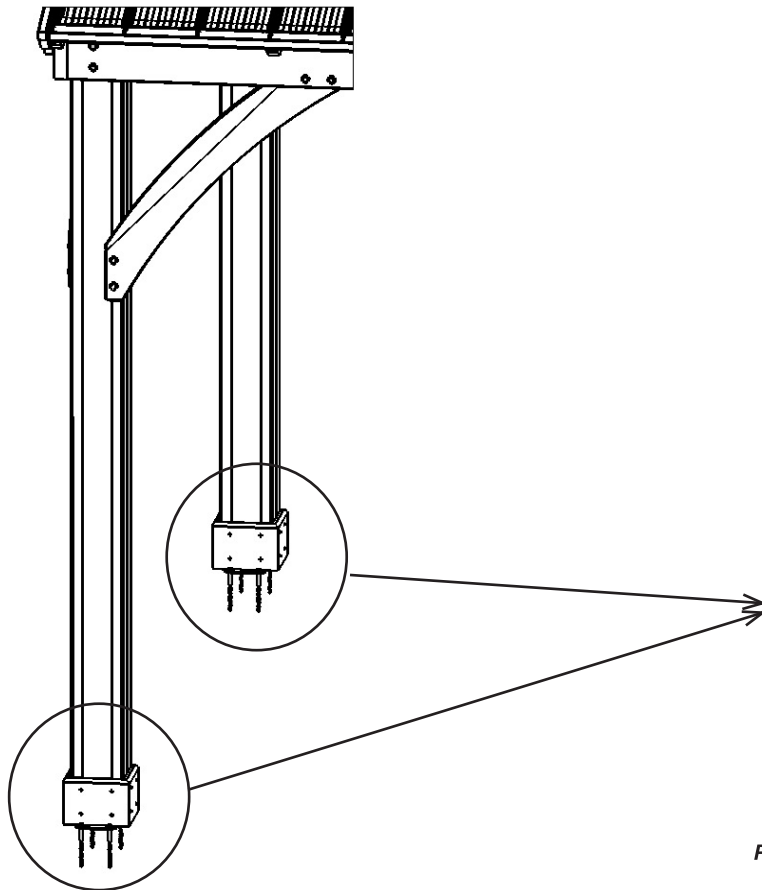
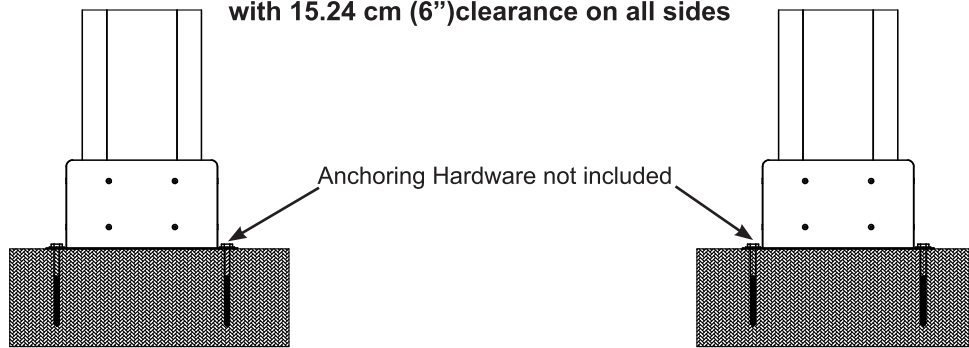


Permanent Installation Examples cont.

**Concrete Patio [min. 2.519 m x 2.519 m (8' 3-3/16" x 8' 3-3/16")]
with 15.24 cm (6") clearance on all sides**



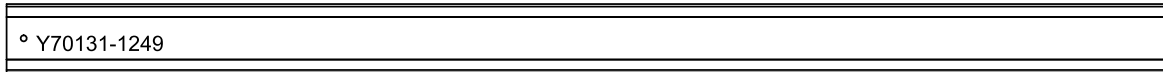
**Wood Deck [min. 2.519 m x 2.519 m (8' 3-3/16" x 8' 3-3/16")]
with 15.24 cm (6") clearance on all sides**



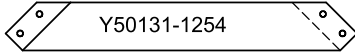
Post Mounts have a 1.27 cm (1/2") diameter hole for anchoring hardware.

Part Identification (Dimensions are approximate and are shown to assist in the identification of parts for assembly. Actual dimensions may be smaller or larger.)

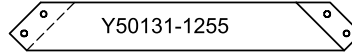
2159mm (85")
4pc. (1249) - Block Post



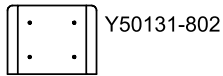
651mm (25-5/8")
4pc. (1254) - Right Gusset



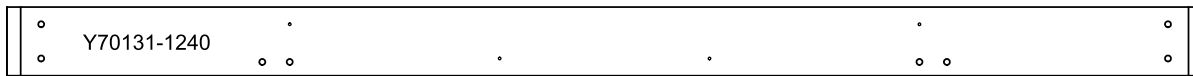
651mm (25-5/8")
4pc. (1255) - Left Gusset



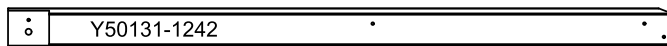
165mm (6-1/2")
16pc. (802) - Plinth



2213.9mm (87-3/16")
4pc. (1240) - Beam



1230.7mm (48-7/16")
4pc. (1242) - Fascia Right



1230.7mm (48-7/16")
4pc. (1241) - Fascia Left



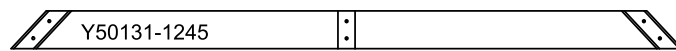
1697mm (66-13/16")
4pc. (1244) - Corner LT



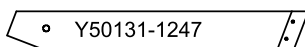
1697mm (66-13/16")
4pc. (1243) - Corner RT



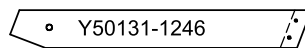
1242.9mm (48-15/16")
4pc. (1245) - Short Strap



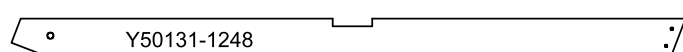
558mm (21-15/16")
4pc. (1247) - Rafter Short Right



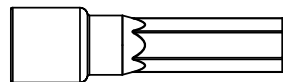
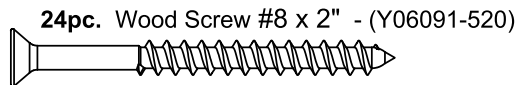
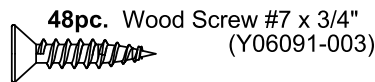
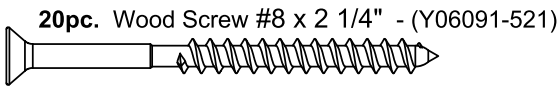
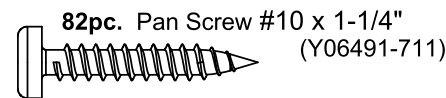
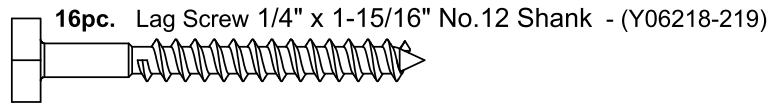
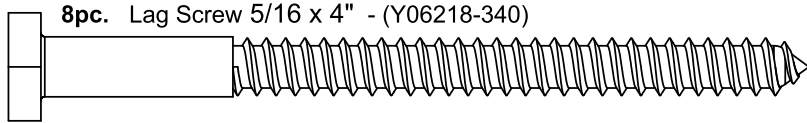
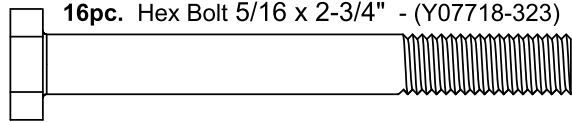
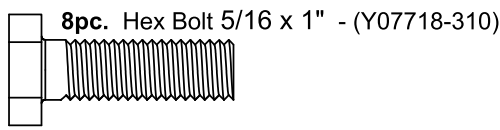
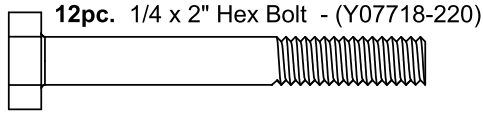
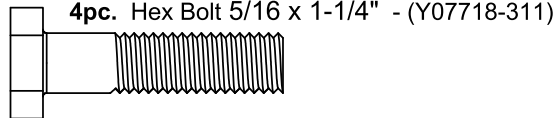
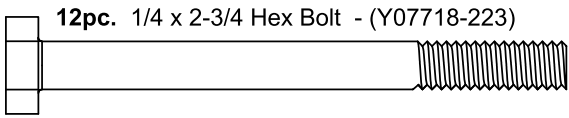
558mm (21-15/16")
4pc. (1246) - Rafter Short Left



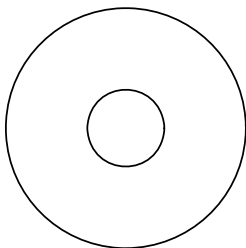
1249mm (49- 3/16")
4pc. (1248) - Rafter



Hardware Identification (Dimensions are approximate and are shown to assist in the identification of parts for assembly. Actual dimensions may be smaller or larger.)



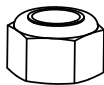
1pc. - Hex Driver (Y00400-004)



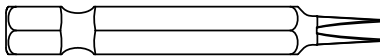
16pc. 3/8 x 1-1/4" Large Washer (Y05118-811)



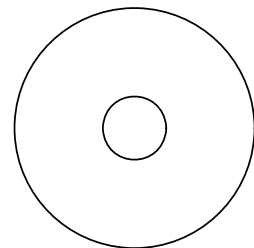
24pc. - 1/4" Lock Nut (Y08318-203)



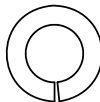
8pc. - 3/8" Lock Nut (Y08318-803)



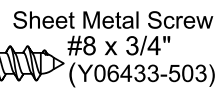
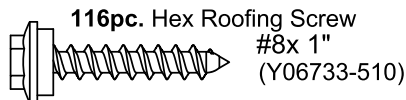
1pc. #2 x 2" Robertson Driver (Y00400-005)



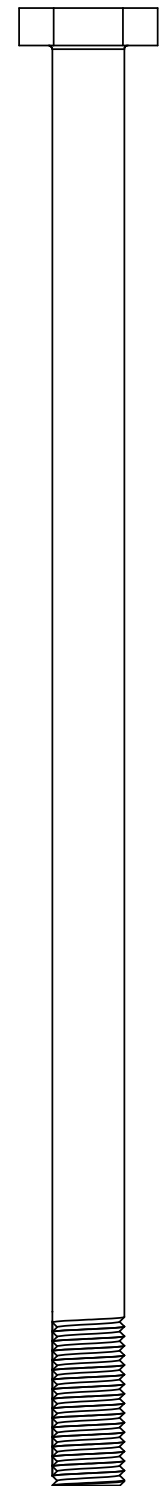
100pc. 1/4-5/16 x 1-1/4" Large Washer (Y05118-311)



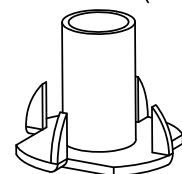
28pc. 5/16" Lock Washer (Y05318-300)



24pc. Sheet Metal Screw #8 x 3/4" (Y06433-503)

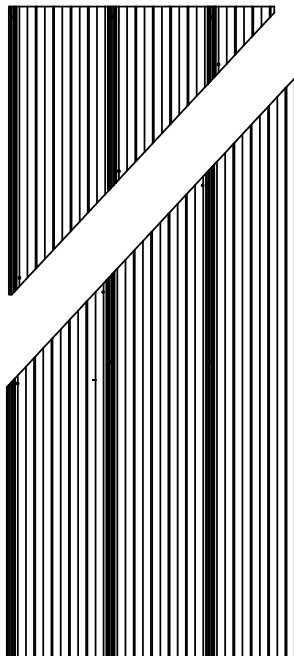
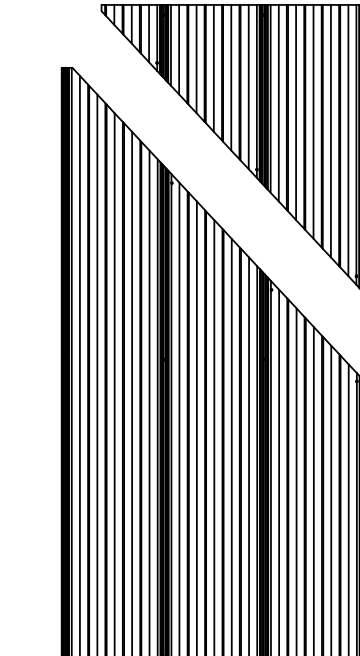

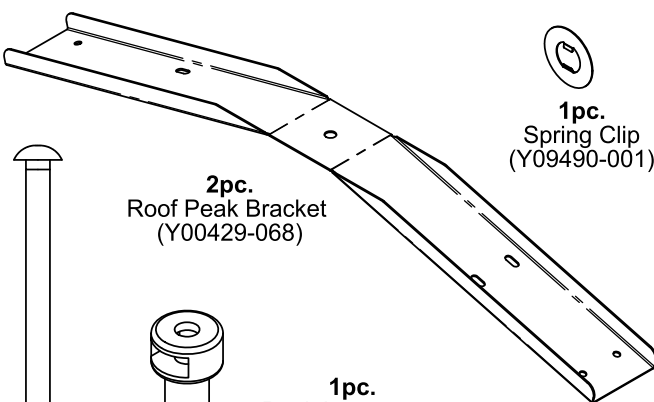
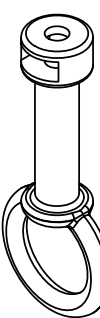



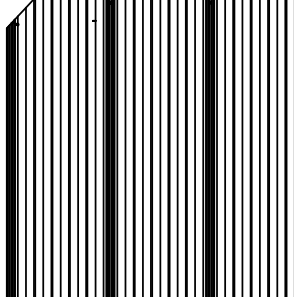
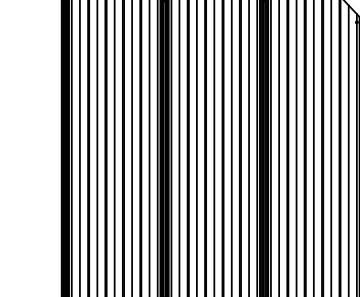



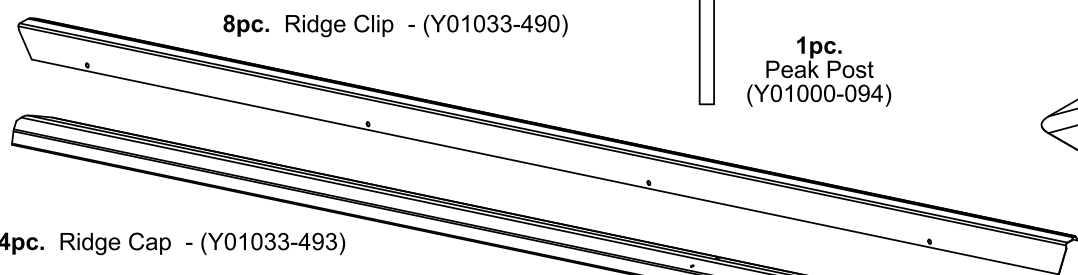
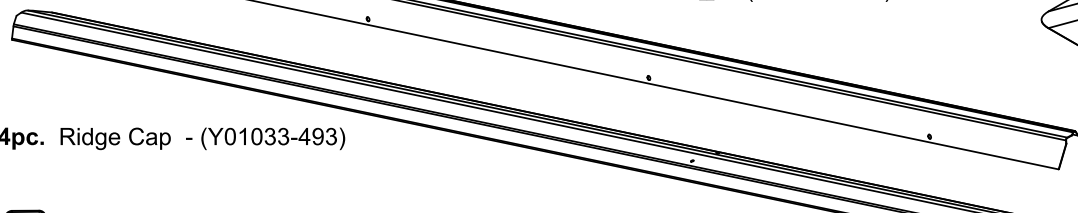
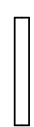
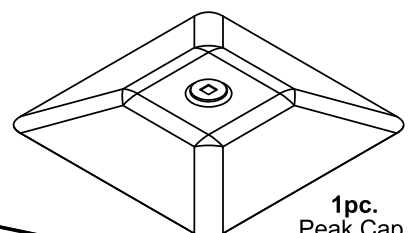


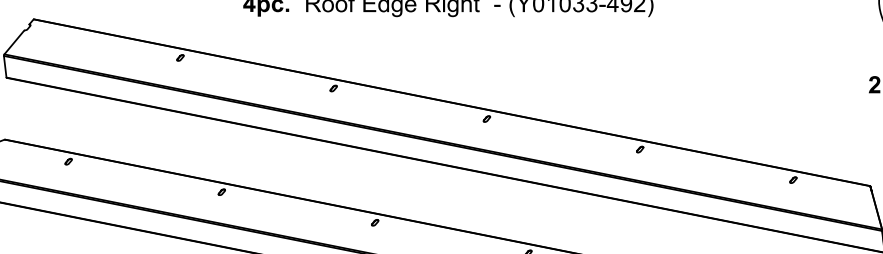
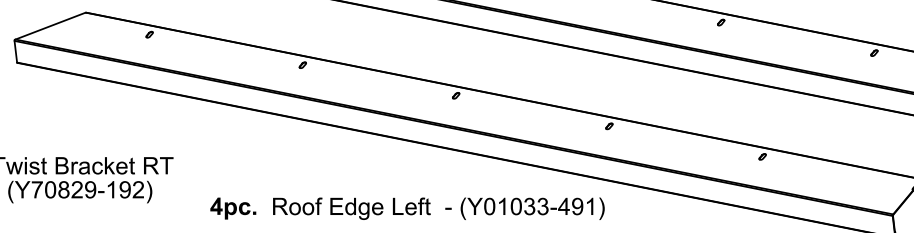
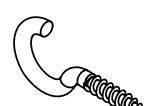
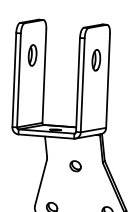
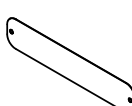
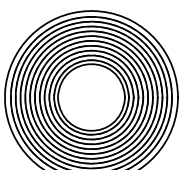
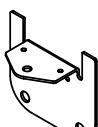
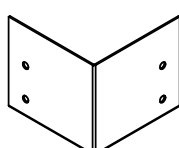
8pc. Hex Bolt 3/8 x 7-1/2" (Y07718-872)



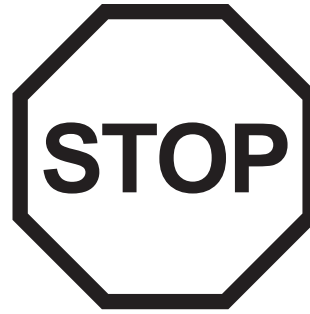
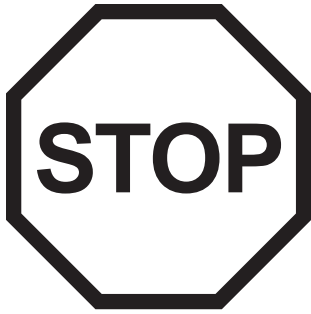
28pc. 5/16 - T-Nut (Y08518-300)

Hardware Identification (Dimensions are approximate and are shown to assist in the identification of parts for assembly. Actual dimensions may be smaller or larger.)

<p>4pc. - Short Panel Left (Y01033-498)</p> 	<p>4pc. - Short Panel Right (Y01033-495)</p> 	<p>1pc. Spring Clip (Y09490-001)</p>  <p>2pc. Roof Peak Bracket (Y00429-068)</p>  <p>1pc. Peak Loop (Y20018-003)</p>  <p>1pc. Carriage Bolt (Y07490-260)</p>  <p>1pc. 1/4" Nut (Y08490-200)</p>  <p>1pc. - Roof Peak Set (Y70829-221)</p> 
<p>4pc. - Long Panel Left (Y01033-497)</p> 	<p>4pc. - Long Panel Right (Y01033-496)</p> 	<p>1pc. - Roof Panel Set (Y70833-494)</p> 

<p>8pc. Ridge Clip - (Y01033-490)</p>  <p>4pc. Ridge Cap - (Y01033-493)</p> 	<p>1pc. Peak Post (Y01000-094)</p> 	<p>1pc. Peak Cap (Y01033-095)</p> 	
<p>1pc. - 45° Twist Bracket LT Set (2Pk) (Y70829-191)</p>  <p>1pc. - 45° Twist Bracket RT Set (2Pk) (Y70829-192)</p> 	<p>4pc. Roof Edge Right - (Y01033-492)</p>  <p>4pc. Roof Edge Left - (Y01033-491)</p> 	<p>2pc. - 50mm Hook (Y00418-050)</p>  <p>1pc. - Rafter/Beam Bracket Set (12Pk) (Y70829-230)</p> 	
<p>1pc. - Gazebo ID Plaque (Y70800-104)</p> 	<p>1pc. - Weather Seal Ridge Clip (8Pk) (Y70818-499)</p> 	<p>1pc. - Post Mount Set (8Pk) (Y70819-109)</p> 	<p>1pc. - Corner Cap Set (4Pk) (Y70833-226)</p> 

Step 1: Inventory Parts - Read This Before Starting Assembly



- A.** This is the time for you to inventory all your hardware, wood and accessories, referencing the parts identification sheets. This will assist you with your assembly.
- Each step indicates which bolts and/or screws you will need for assembly, as well as any flat washers, lock washers, t-nuts or lock nuts.
- B.** If there are any missing or damaged pieces or you need assistance with assembly please contact the consumer relations department directly. Call us before going back to the store.

1-888-509-4382
support@yardistrystructures.com

- C.** Read the assembly manual completely, paying special attention to ANSI warnings; notes; and safety/maintenance information on pages 1 - 4.
- Follow the instructions in order.
 - This structure is designed to be assembled and installed ideally by four people, DO NOT attempt to install alone.
 - Consider the slope of elevation where you plan to install the structure. Also, check for gas, telephone, other utilities or sprinkler line locations prior to excavating any holes.
- D.** Before you discard your cartons fill out the form below.
- The carton I.D. stamp is located on the end of each carton.
 - Please retain this information for future reference. You will need this information if you contact the Consumer Relations Department.

PRODUCT NUMBER: YM11827

CARTON I.D. STAMP: _ _ _ _ _ (Box 1)

CARTON I.D. STAMP: _ _ _ _ _ (Box 2)

CARTON I.D. STAMP: _ _ _ _ _ (Box 3)

Step 2: Post Assemblies

A: At the bottom of each (1249) Block Post insert two 5/16" T-Nuts as shown in F2.1 and F2.2.

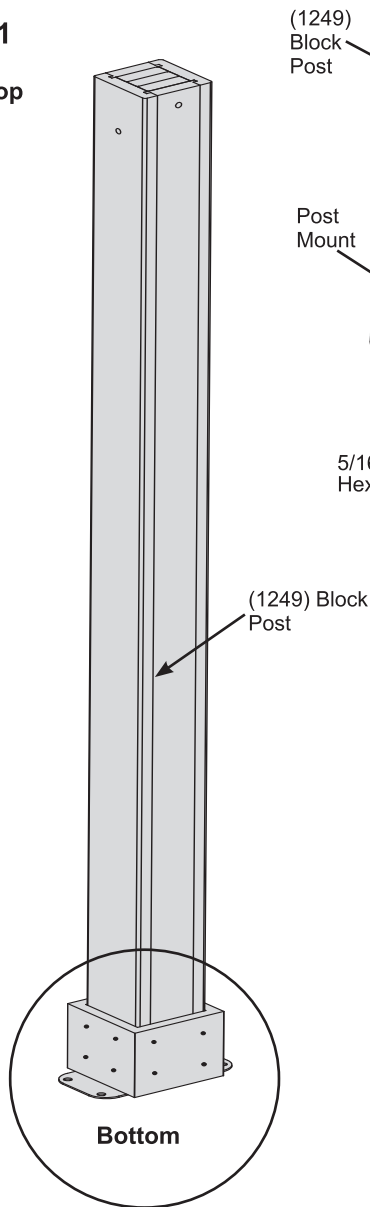
B: At the bottom of each (1249) Block Post place two Post Mounts tight to the bottom and inside faces as shown in F2.1 and F2.2. Loosely attach with one 5/16 x 1" Hex Bolt (with 5/16" lock washer and 1/4-5/16" large washer) per mount so they connect to the T-Nuts.

C: On each side of the Posts, place one (802) Plinth flush to the bottom and attach with four #8 x 1-1/2" Wood Screws per plinth. Rounded edges on top. (F2.1 and F2.3)

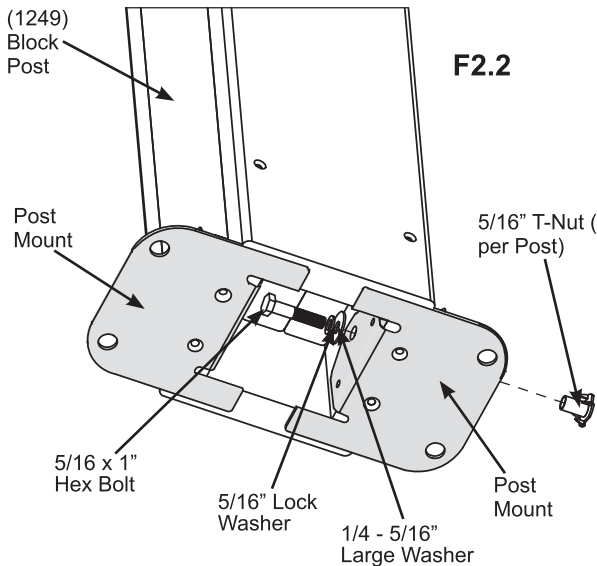
D: From the bottom of each Post Mount attach to posts with two #8 x 1-1/2" Wood Screws per mount and then from the inside with two #7 x 3/4" Wood Screws per mount. These screws are installed at a slight angle. Tighten all bolts. There will be four Post Assemblies. (F2.4)

F2.1

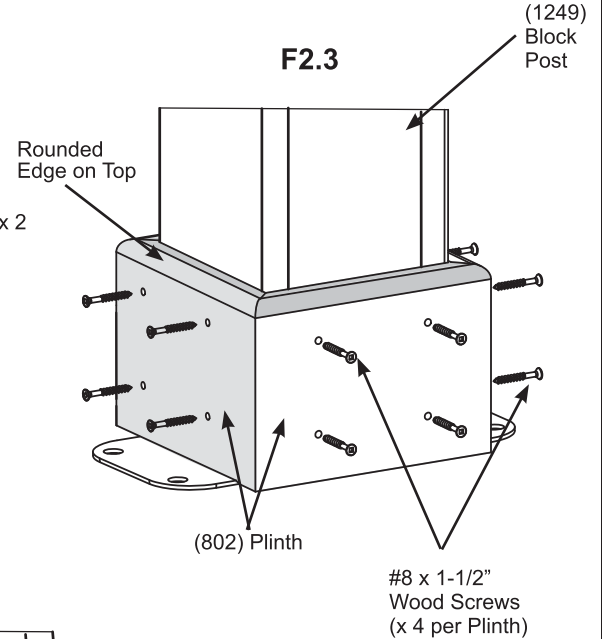
Top



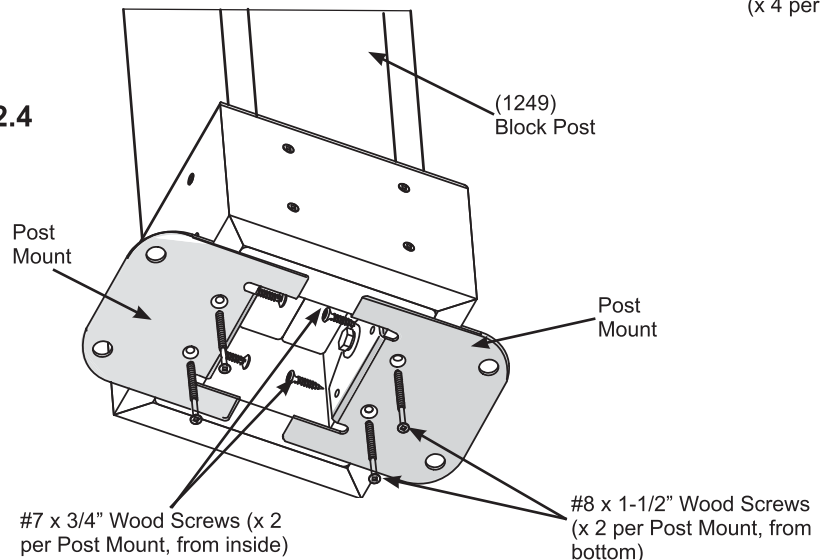
F2.2



F2.3



F2.4



Wood Parts

4 x (1249) Block Post
16 x (802) Plinth

Hardware

16 x #7 x 3/4" Wood Screw
80 x #8 x 1-1/2" Wood Screw
8 x Post Mount

8 x 5/16" T-Nut
8 x 5/16 x 1" Hex Bolt (with 5/16" lock washer, 1/4-5/16" large washer)

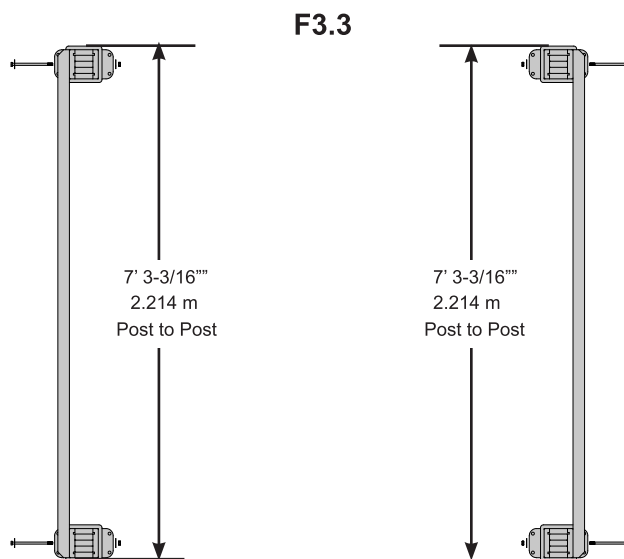
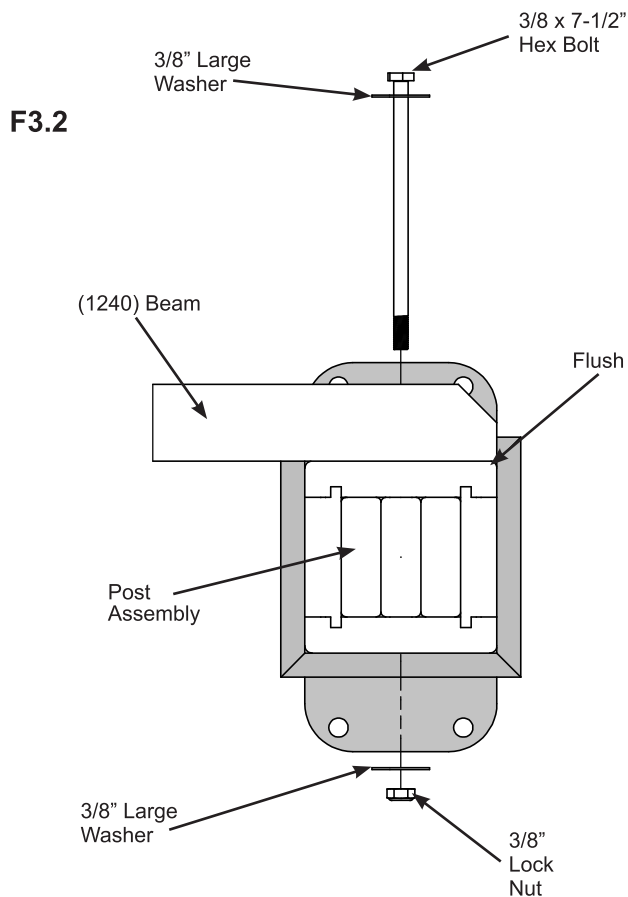
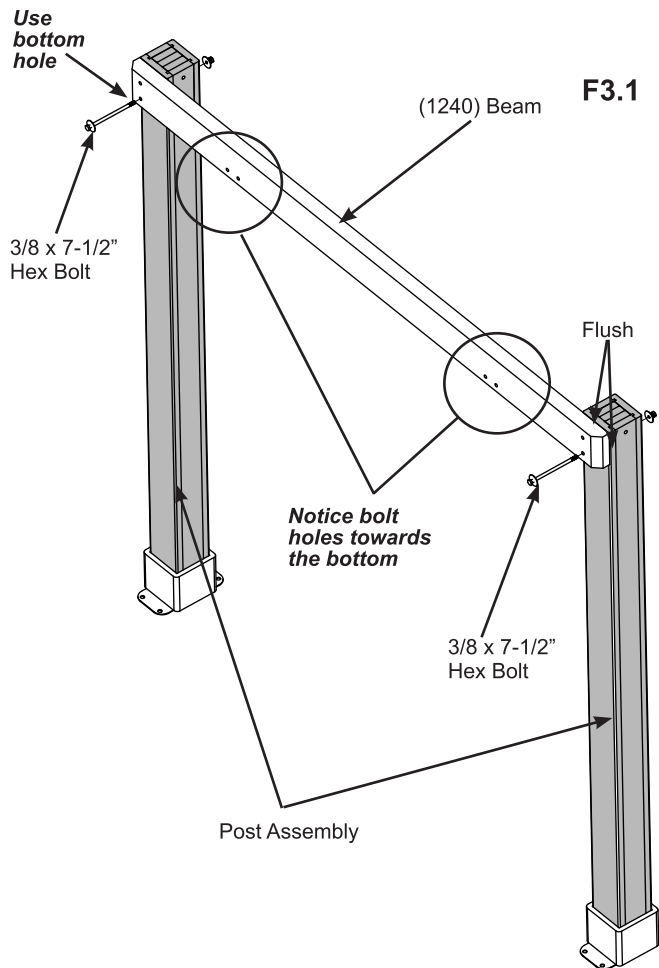
Step 3: Frame Assembly Part 1



A: On a hard, flat surface place one (1240) Beam against the outside of two Post Assemblies, flush to the tops and outside corners. Bevels face away from the posts. Notice bolt holes are towards the bottom. Attach Beam to Post Assembly, through the bottom hole, with one 3/8 x 7-1/2" Hex Bolt (with two 3/8" large washers and one 3/8" lock nut) per post. (F3.1 and F3.2)

The distance from the outside of one Post Assembly to the outside of the second Post Assembly should be 7' 3-3/16" (2.214m). See F3.3 for accurate positioning of Posts.

B: Repeat Step A for second (1240) Beam. These will now be referred to as Side Assemblies. (F3.1 and F3.2)



Wood Parts

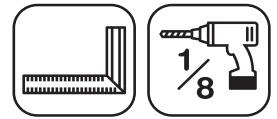
2 x (1240) Beam

Hardware

4 x 3/8 x 7-1/2" Hex Bolt (3/8" large washer x 2, 3/8" lock nut)

Step 3: Frame Assembly

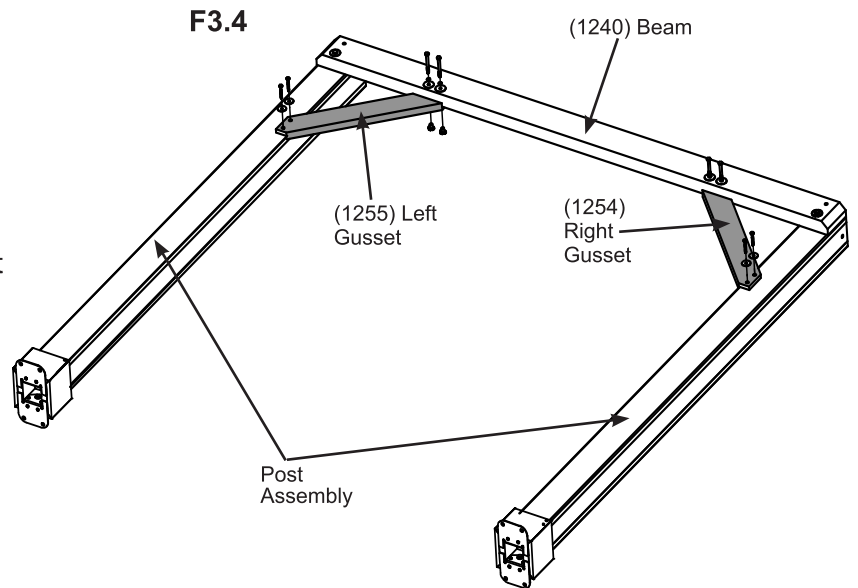
Part 2



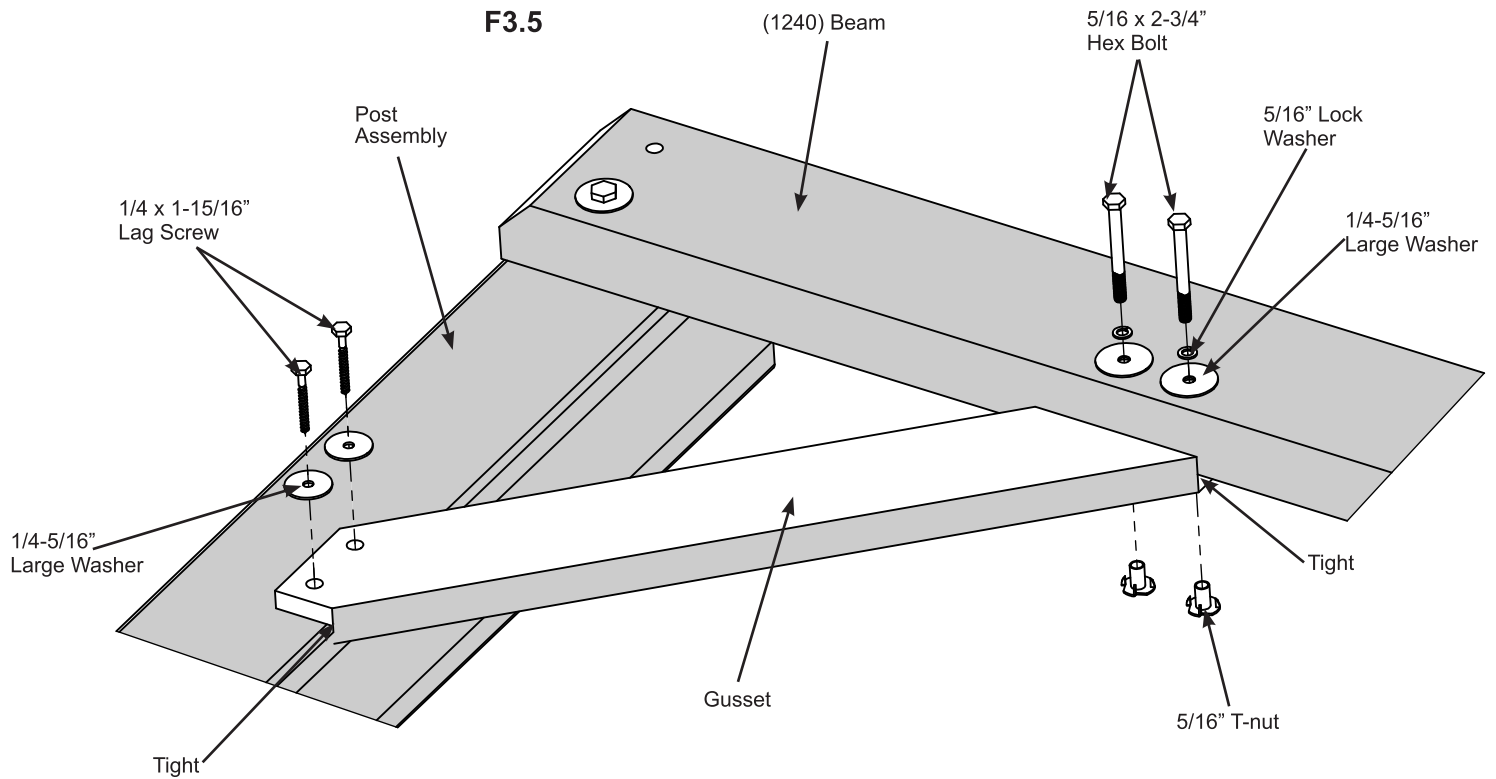
Note: The bevelled ends on each gusset should always face away from the wood it is attaching to.

C: Make sure each (1240) Beam is square with the Post Assemblies then facing one (1240) Beam from the outside place one (1254) Right Gusset on the right hand side so the top fits tight to the (1240) Beam and the bottom fits tight to the Post Assembly. Attach gusset to (1240) Beam with two 5/16 x 2-3/4" Hex Bolts (with 5/16" lock washer, 1/4-5/16" large washer and 5/16" t-nut). Pre-drill with a 1/8" drill bit then attach to Post Assembly with two 1/4 x 1-15/16" Lag Screws (with 1/4-5/16" large washer). (F3.4 and F3.5)

D: Repeat Step C on the left hand side with one (1255) Left Gusset. (F3.4 and F3.5)



F3.5



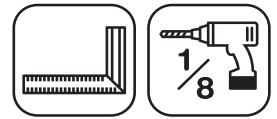
Wood Parts

- 2 x (1254) Right Gusset
- 2 x (1255) Left Gusset

Hardware

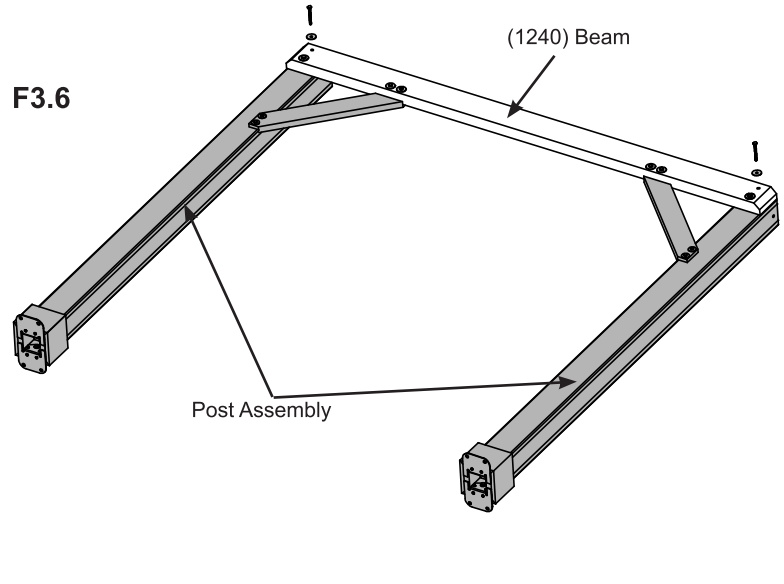
- 8 x 1/4 x 1-15/16" Lag Screw (1/4-5/16" large washer)
- 8 x 5/16 x 2-3/4" Hex Bolt (5/16" lock washer, 1/4-5/16" large washer, 5/16" t-nut)

Step 3: Frame Assembly Part 3



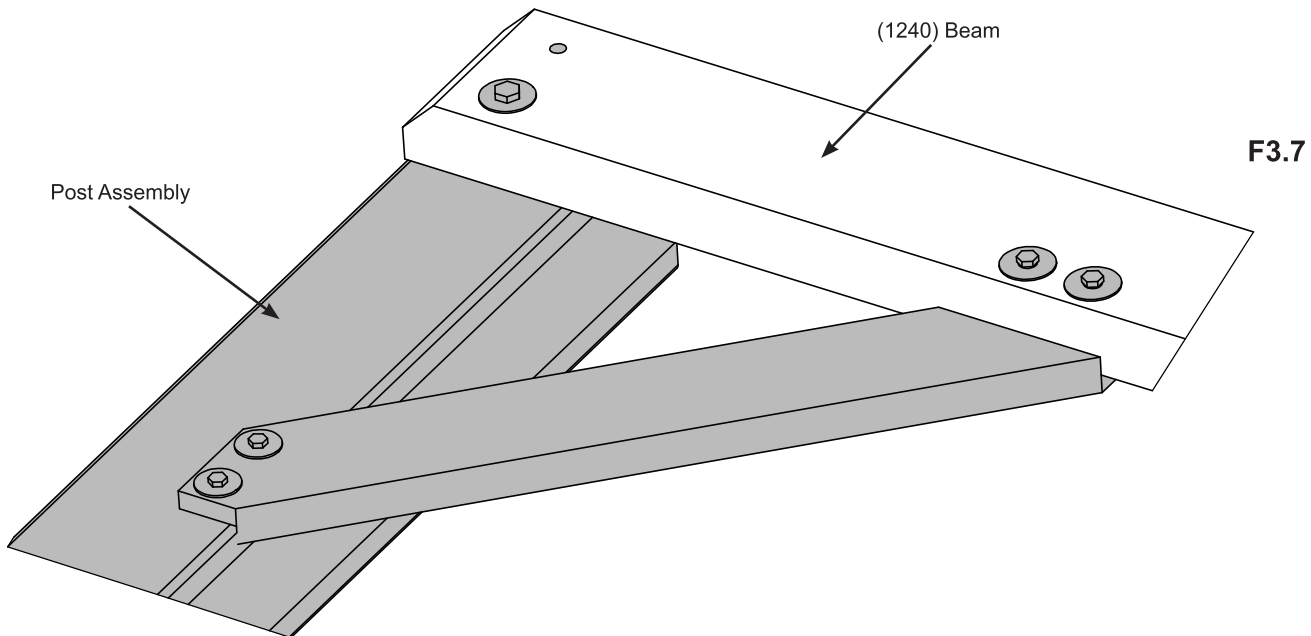
E: Make sure the assembly is still square then in the top holes of (1240) Beam pre-drill with a 1/8" drill bit and attach to Post Assembly with two 5/16 x 4" Lag Screws (with 1/4-5/16" large washer). (F3.6 and F3.7)

F: Repeat Steps C - E for second Side Assembly.



5/16 x 4"
Lag Screw

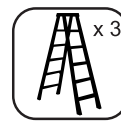
1/4-5/16"
Large Washer



Hardware

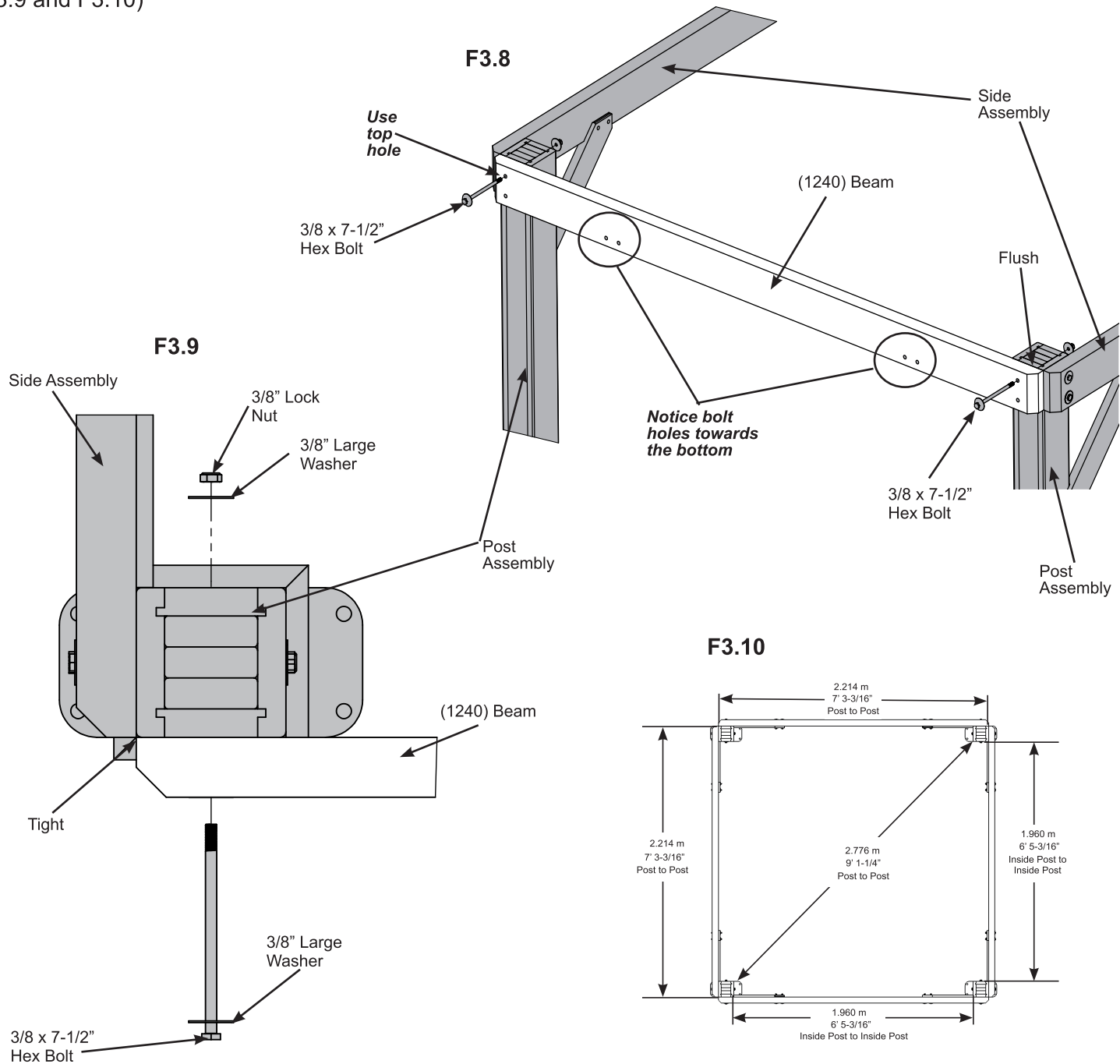
4 x 5/16 x 4" Lag Screw (1/4-5/16" large washer)

Step 3: Frame Assembly Part 4



G: Move your Post Assemblies to the final location. Make sure the ground is flat and level before continuing assembly.

H: Stand each Side Assembly then place one (1240) Beam against each post, flush to the tops and tight to the Side Assemblies. Notice bolt holes on (1240) Beam are towards the bottom. Attach beams to each post with one 3/8 x 7-1/2" Hex Bolt (with two 3/8" large washers and one 3/8" lock nut) per post in the top holes. The distance from the outside of one Post to the outside of the second Post should be 7' 3-3/16" (2.214m). (F3.8, F3.9 and F3.10)



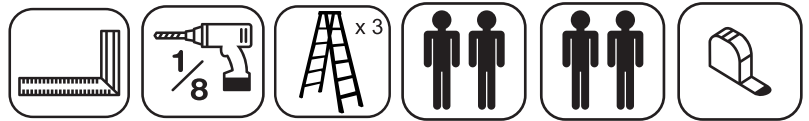
Wood Parts

2 x (1240) Beam

Hardware

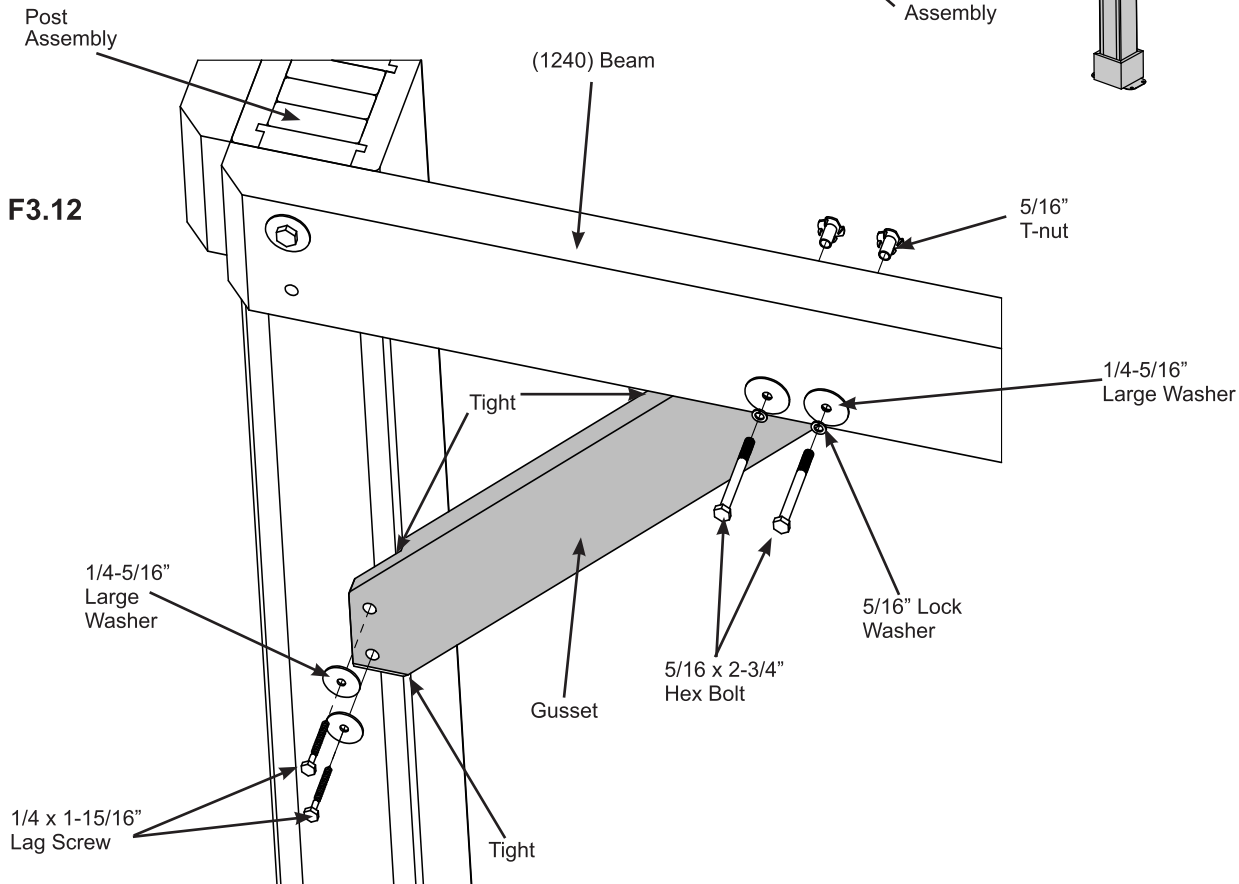
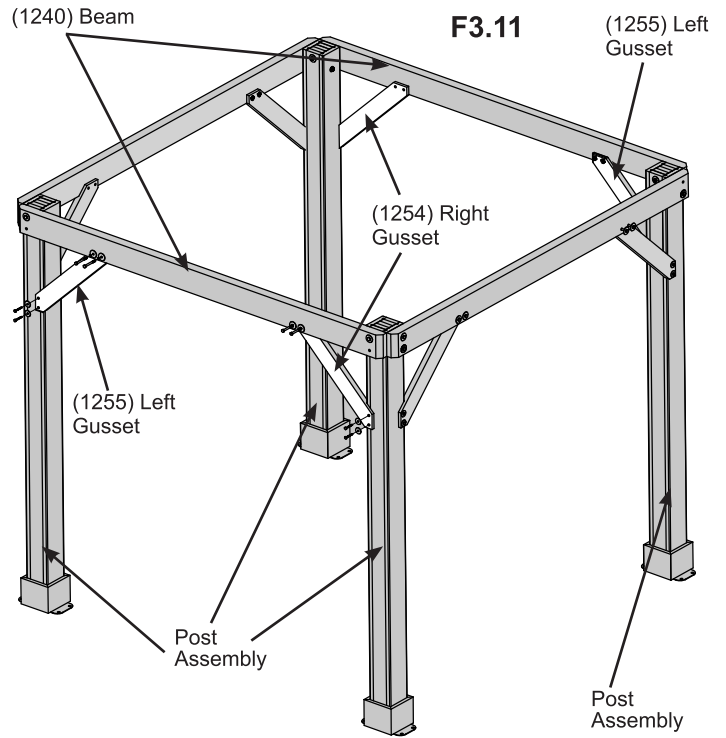
4 x 3/8 x 7-1/2" Hex Bolt (3/8" large washer x 2, 3/8" lock nut)

Step 3: Frame Assembly Part 5



I: Make sure assembly is square then facing (1240) Beams from the outside place one (1254) Right Gusset on the right hand sides so the top fits tight to the (1240) Beams and the bottom fits tight to the Post Assemblies. Attach gussets to (1240) Beams with two 5/16 x 2-3/4" Hex Bolts (with 5/16" lock washer, 1/4-5/16" large washer and 5/16" t-nut) per gusset. Pre-drill with a 1/8" drill bit then attach to Post Assemblies with two 1/4 x 1-15/16" Lag Screws (with 1/4-5/16" large washer) per gusset. (F3.11 and F3.12)

J: Repeat Step I on the left hand sides with one (1255) Left Gusset per (1240) Beam. (F3.11 and F3.12)



Wood Parts

- 2 x (1254) Right Gusset
- 2 x (1255) Left Gusset

Hardware

- 8 x 1/4 x 1-15/16" Lag Screw (1/4-5/16" large washer)
- 8 x 5/16 x 2-3/4" Hex Bolt (5/16" lock washer, 1/4-5/16" large washer, 5/16" t-nut)

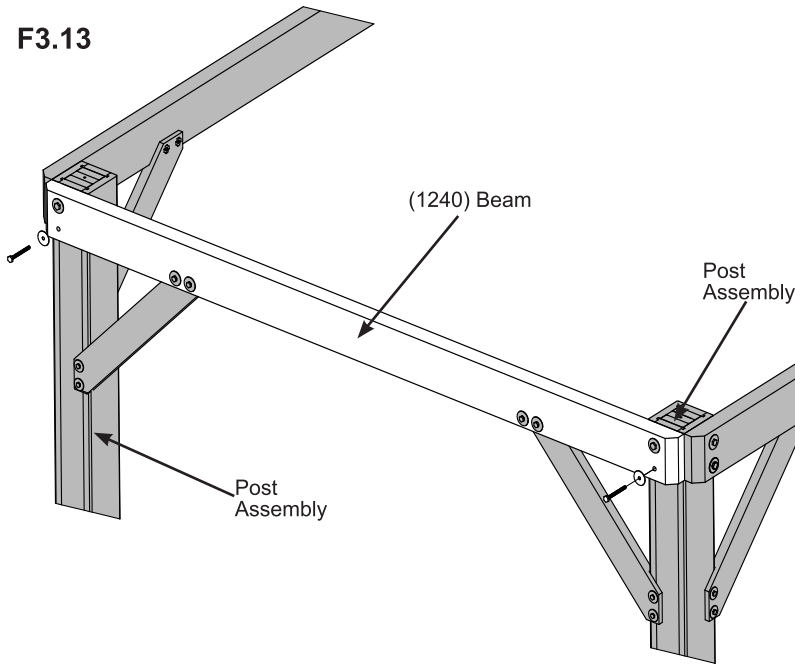
Step 3: Frame Assembly Part 6



K: Make sure the assembly is still square then in the bottom holes of each (1240) Beam pre-drill with a 1/8" drill bit and attach to Post Assemblies with two 5/16 x 4" Lag Screw (with 1/4-5/16" large washer) per beam. (F3.13 and F3.14)

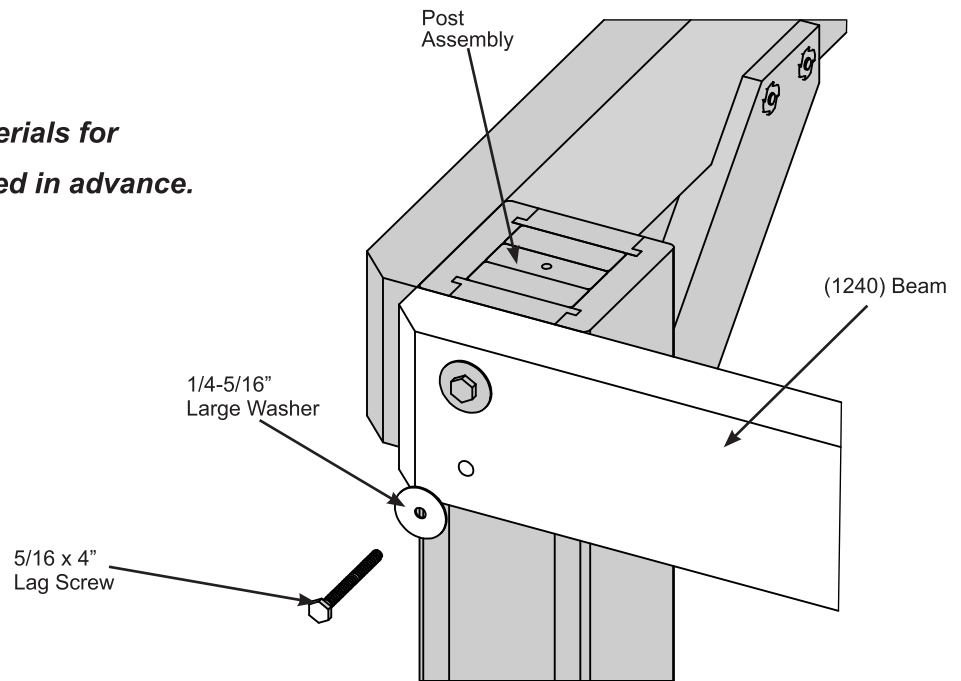
L: Depending on what you are placing the Gazebo on will determine how you anchor it to that surface. Please refer to pages 6 and 7 for installation examples.

F3.13



F3.14

Any hardware or extra materials for mounting will have to be purchased in advance.



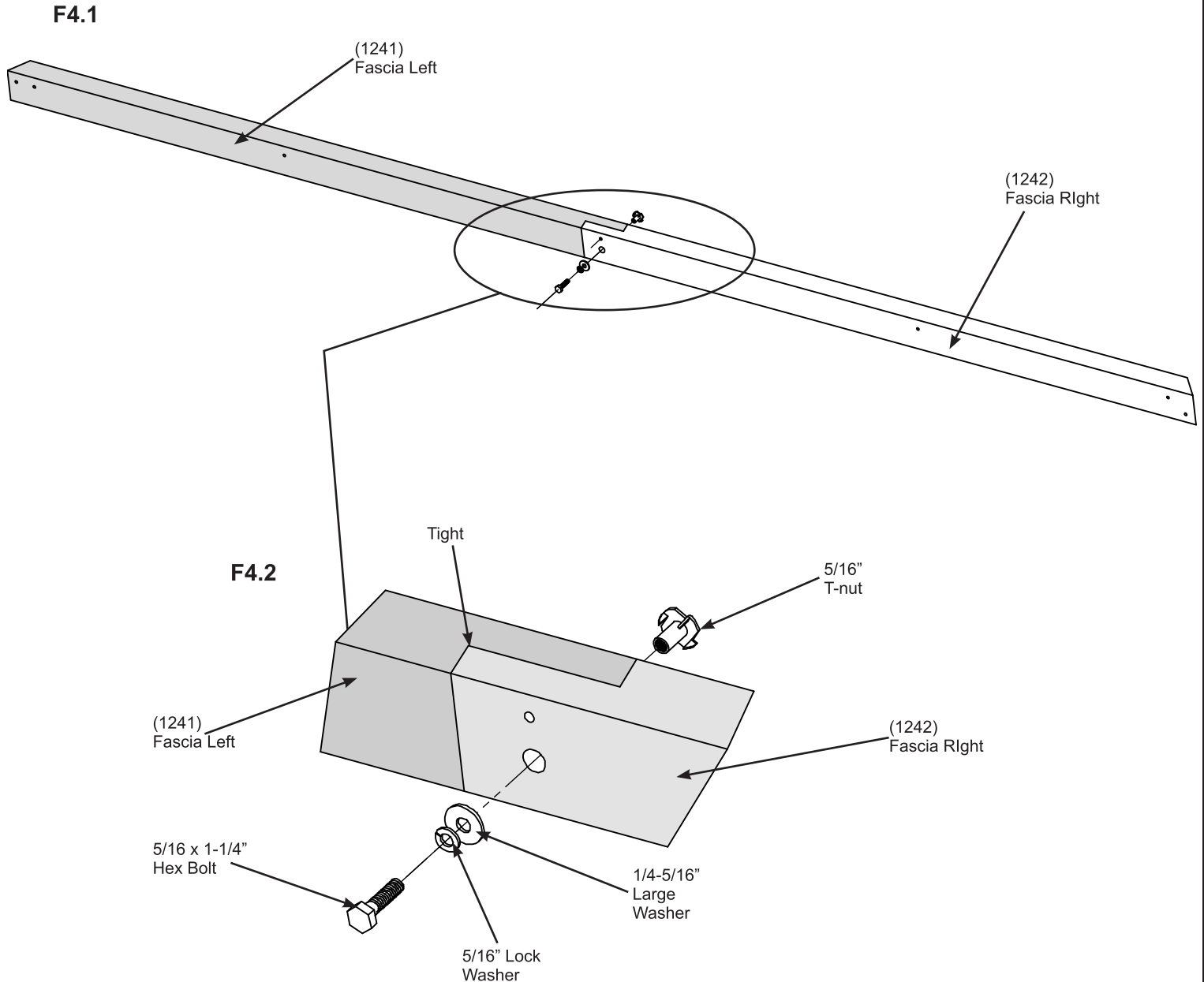
Hardware

4 x 5/16 x 4" Lag Screw (1/4-5/16" large washer)

Step 4: Fascia Beam Assembly

A: Tightly connect one (1241) Fascia Left and one (1242) Fascia Right using one 5/16 x 1-1/4" Hex Bolt (with 5/16" lock washer, 1/4-5/16" large washer and 5/16" t-nut) as shown in F4.1 and F4.2.

B: Repeat Step A three more times to make four Fascia Beam Assemblies.



Wood Parts

4 x (1241) Fascia Left
4 x (1242) Fascia Right

Hardware

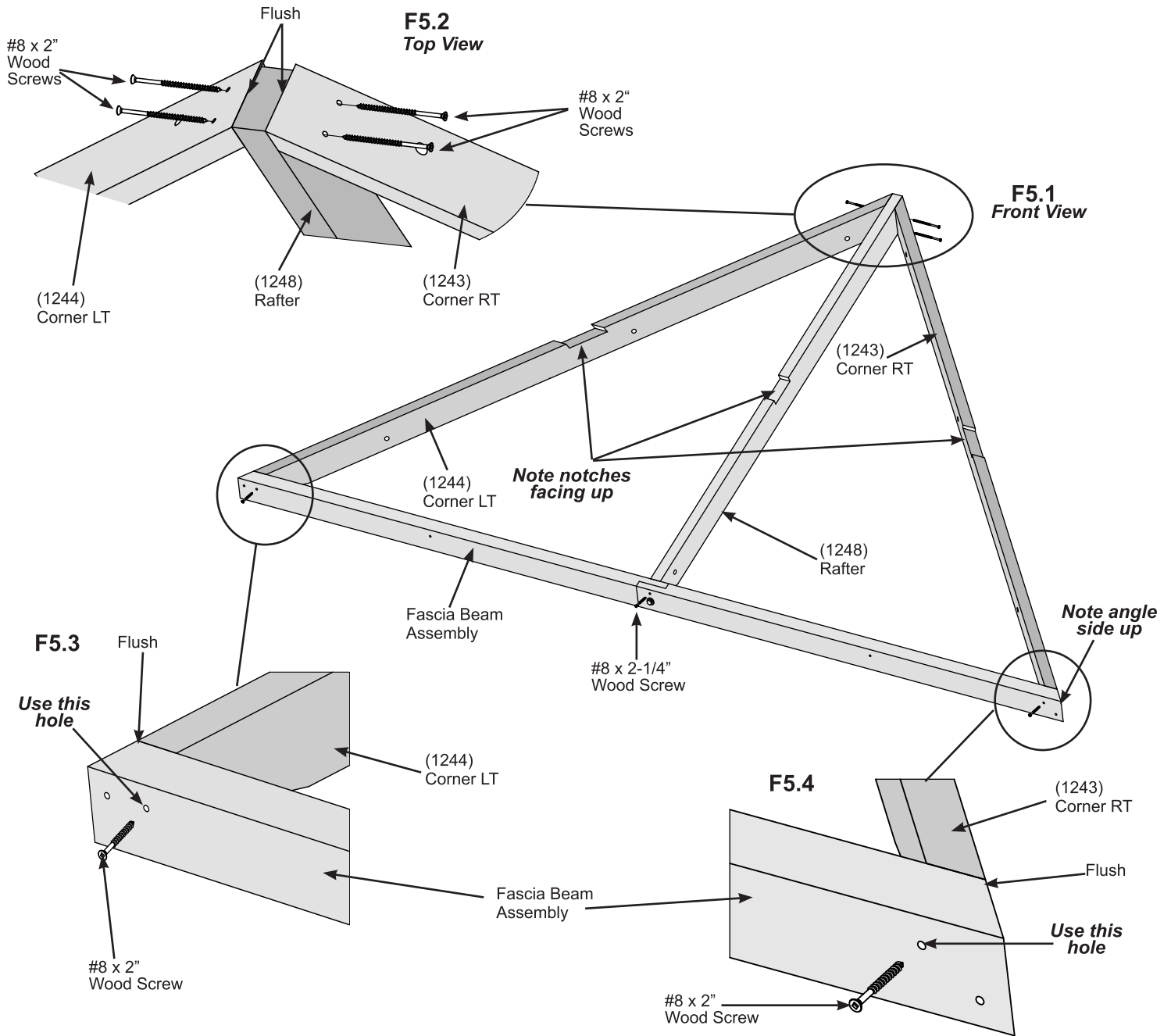
4 x 5/16 x 1-1/4" Hex Bolt
(5/16" lock washer, 1/4-5/16" large washer, 5/16" t-nut)

Step 5: Roof Rafter Assembly Part 1

A: On each side of one (1248) Rafter place one (1244) Corner LT and one (1243) Corner RT so the tops and edges are flush then attach with two #8 x 2" Wood Screws per side. (F5.1 and F5.2)

B: Place Fascia Beam Assembly from Step 4 on the bottom of (1244) Corner LT, (1243) Corner RT and (1248) Rafter so the sides are flush then attach with one #8 x 2" Wood Screw at each end, noticing which holes to be used. Attach Fascia Beam Assembly to (1248) Rafter with one #8 x 2-1/4" Wood Screw. (F5.1, F5.3 and F5.4)

C: Repeat Steps A and B three more times to make four Roof Rafter Assemblies.



Wood Parts

- 4 x (1248) Rafter
- 4 x (1244) Corner LT
- 4 x (1243) Corner RT

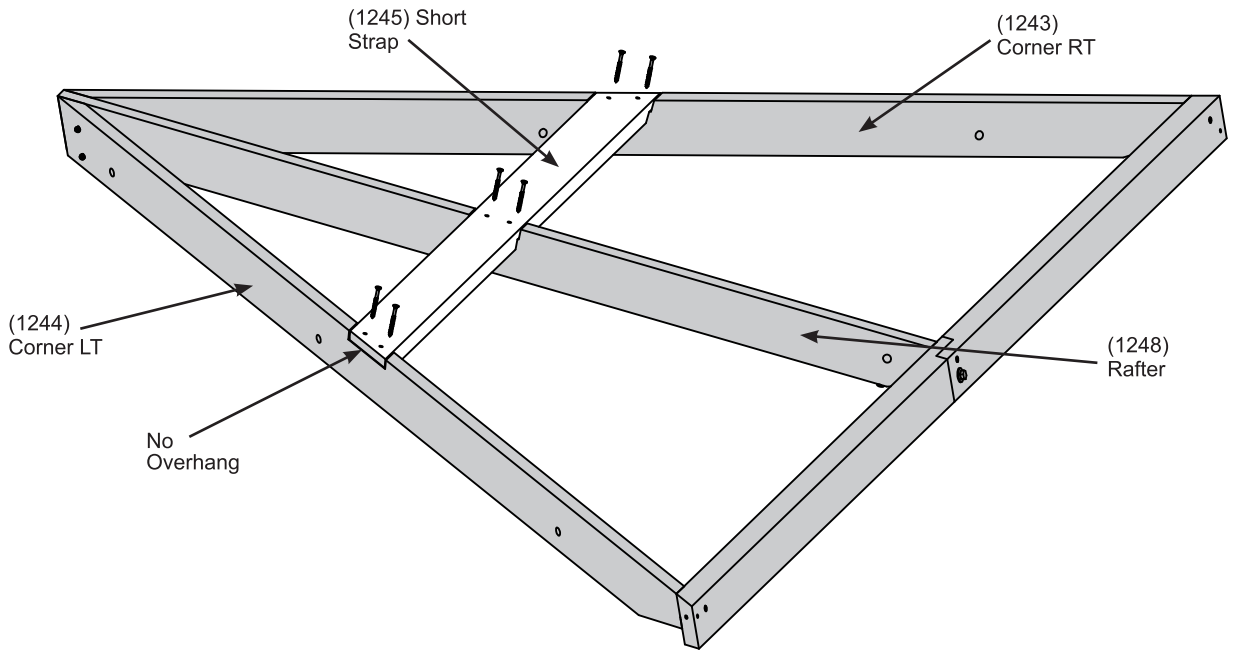
Hardware

- 24 x #8 x 2" Wood Screw
- 4 x #8 x 2-1/4" Wood Screw

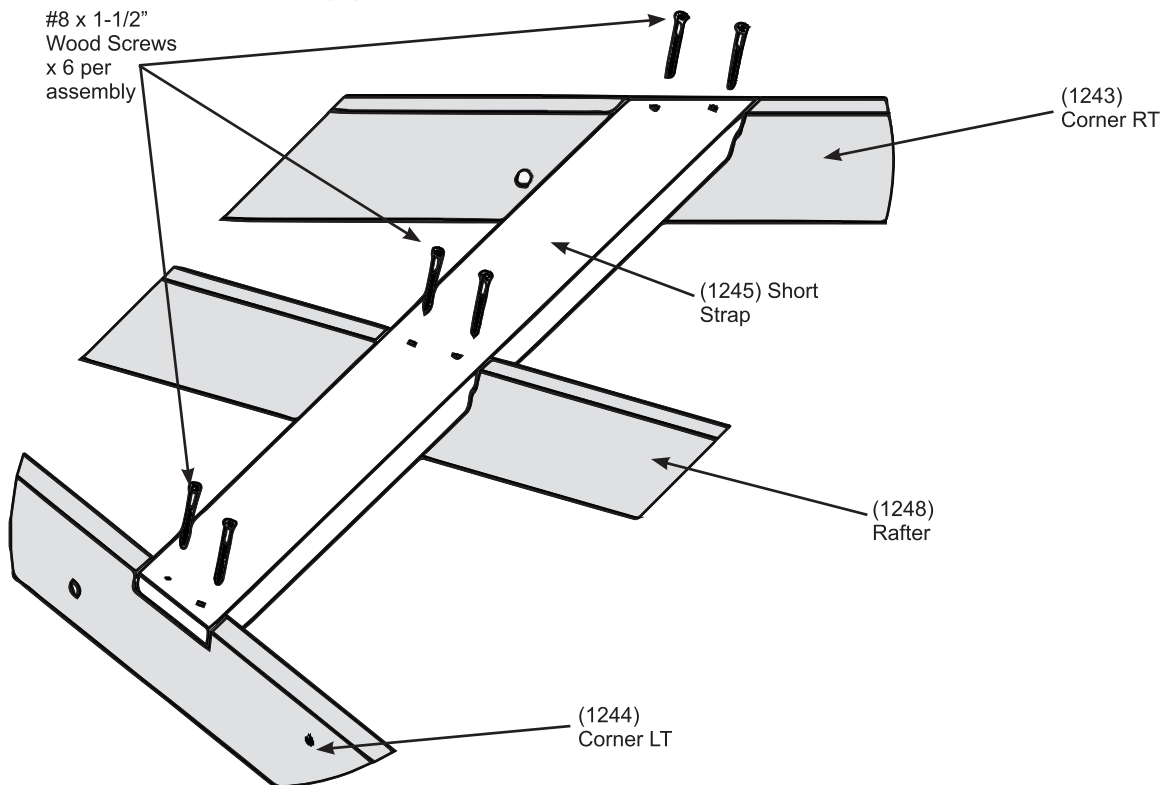
Step 5: Roof Rafter Assembly Part 2

D: Place one (1245) Short Strap in the notches of (1244) Corner LT, (1243) Corner RT and (1248) Rafter so the ends do not overhang the outside edges of the outside boards then attach with six #8 x 1-1/2" Wood Screws. Repeat for all four assemblies. (F5.5 and F5.6)

F5.5
Front View



F5.6



Wood Parts

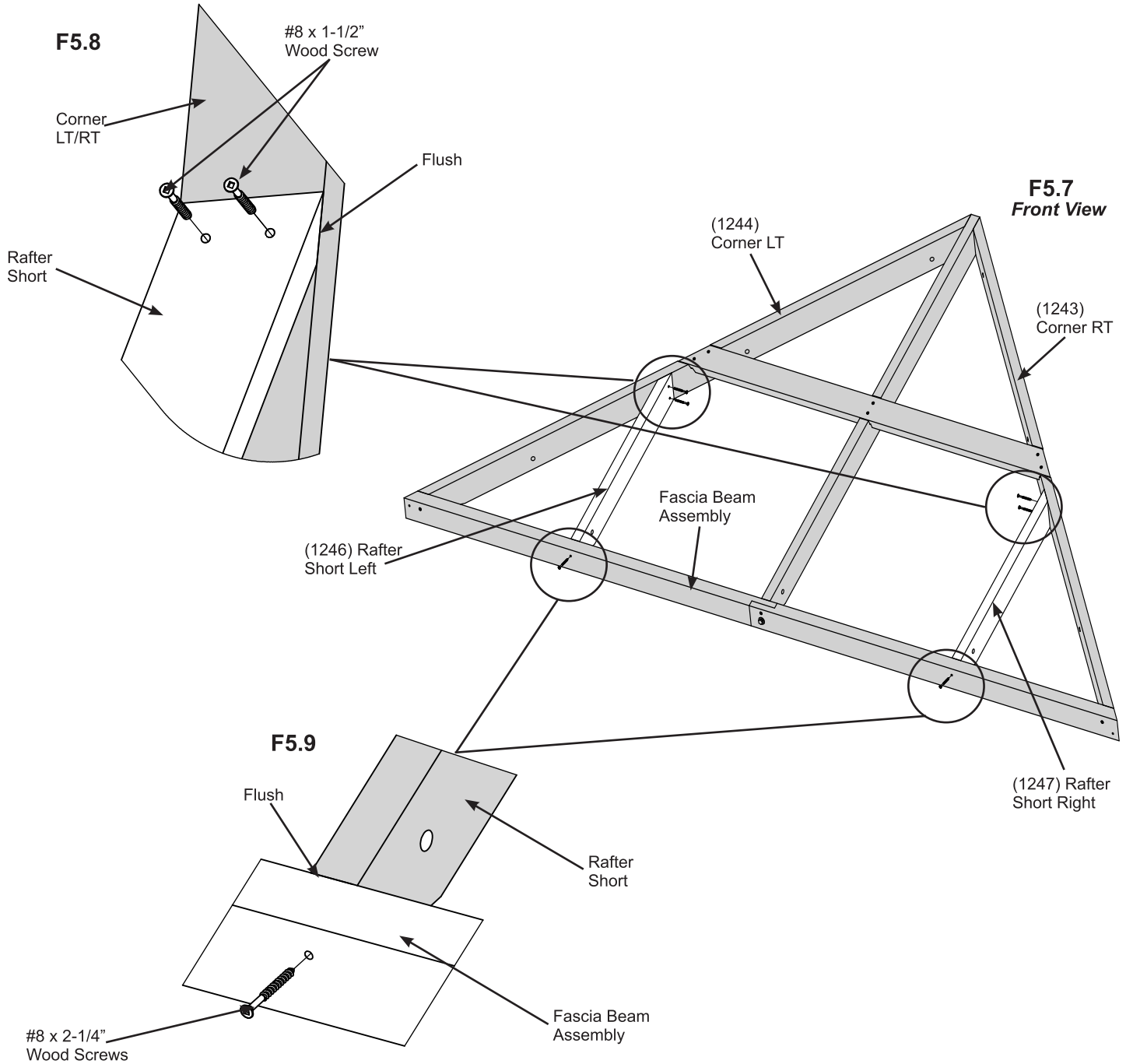
4 x (1245) Short Strap

Hardware

24 x #8 x 1-1/2" Wood Screw

Step 5: Roof Rafter Assembly Part 3

E: Place one (1246) Rafter Short Left and one (1247) Rafter Short Right flush to top of Fascia Beam Assembly and tight to (1244) Corner LT and (1243) Corner RT. Attach (1246) Rafter Short Left and (1247) Rafter Short Right to (1244) Corner LT and (1243) Corner RT with two #8 x 1-1/2" Wood Screws per board and to Fascia Beam Assembly with one #8 x 2-1/4" Wood Screw per board. Repeat for all four assemblies. (F5.7, F5.8 and F5.9)



Wood Parts

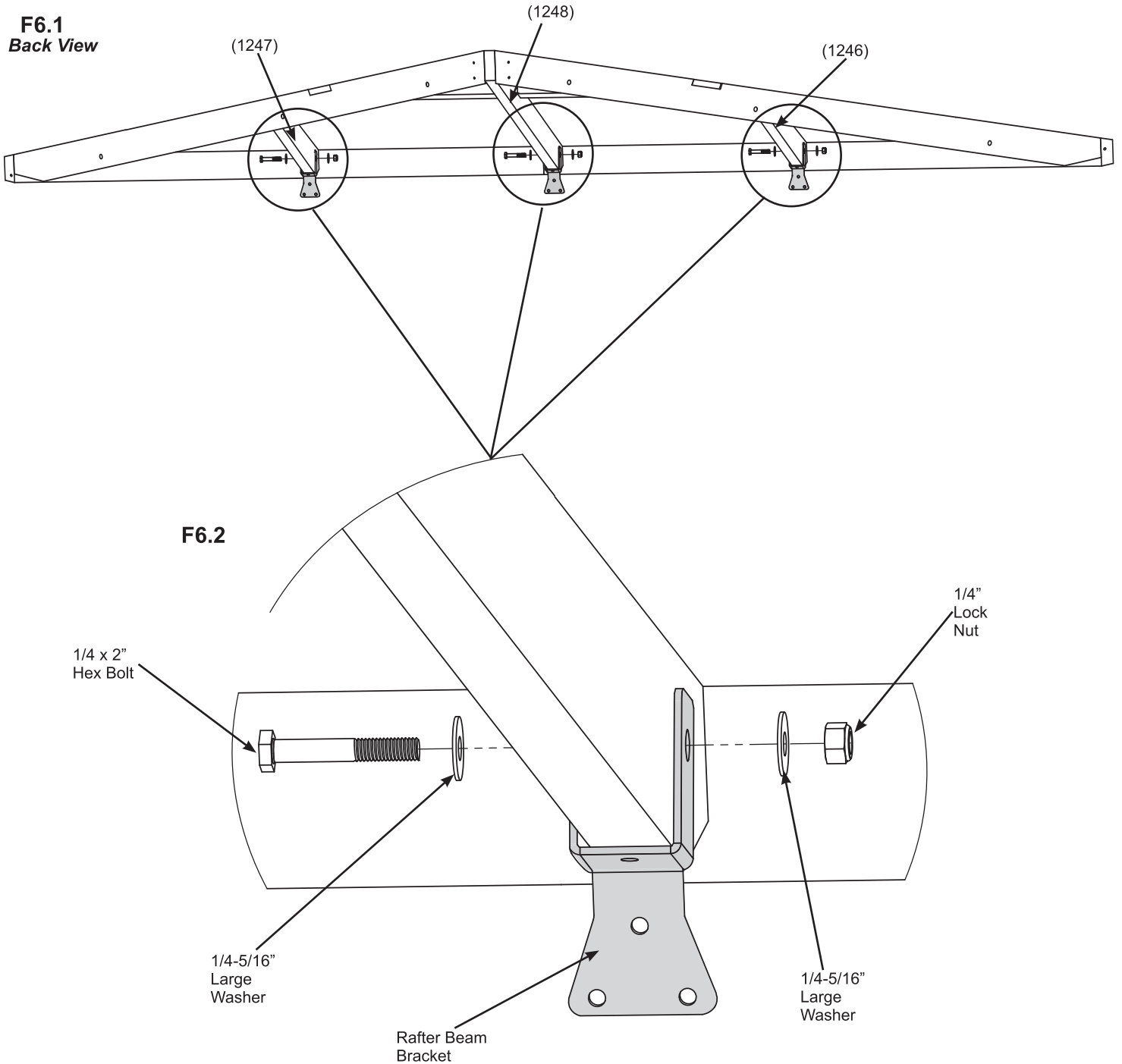
4 x (1247) Rafter Short Right
4 x (1246) Rafter Short Left

Hardware

16 x #8 x 1-1/2" Wood Screw
8 x #8 x 2-1/4" Wood Screw

Step 6: Attach Rafter Beam Brackets

A: On the back of three Roof Rafter Assemblies place one Rafter Beam Bracket on (1246) Rafter Short Left, (1247) Rafter Short Right and (1248) Rafter. Loosely attach each bracket to rafters with one 1/4 x 2" Hex Bolt (with two 1/4-5/16" large washers and one 1/4" lock nut). (F6.1 and F6.2)

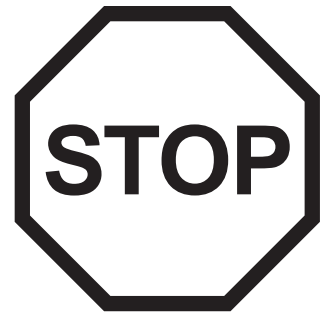


Components:

9 x Rafter Beam Bracket

Hardware

9 x 1/4 x 2" Hex Bolt
(1/4-5/16" large washer x 2, 1/4" lock nut)



INSTALLING ROOFING MATERIAL

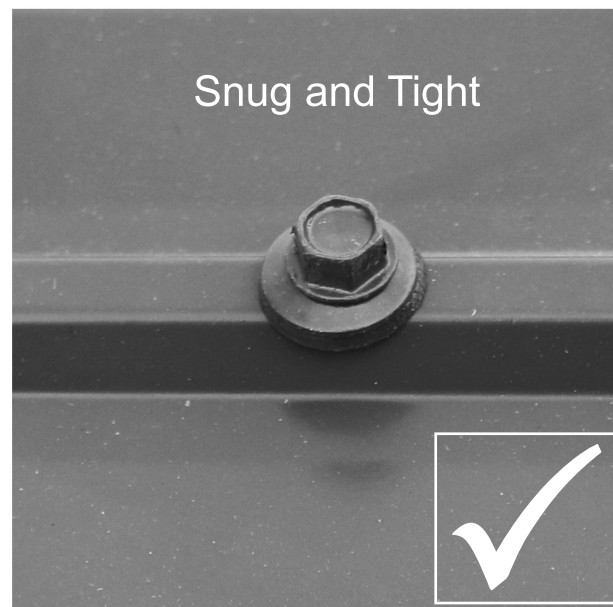
CAUTION!

Roofing material may have sharp edges! Wear gloves!

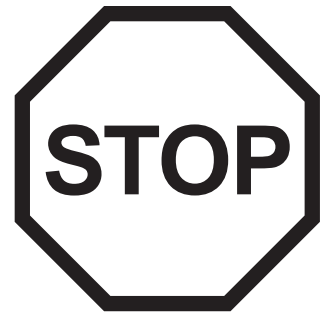
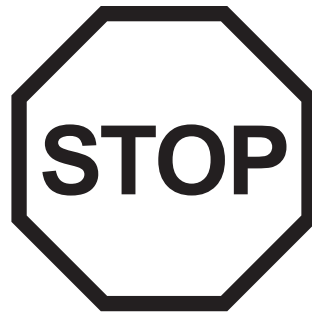
HANDLE WITH CARE!

Place roofing material on a non-abrasive surface before assembly as it can bend, dent and scratch easily.

**WARNING – DO NOT OVER TIGHTEN ROOFING SCREWS!
Over tightening screws will cause roofing material to crush.**



The roofing screws can easily crush the Roof Panels and Roof Edges when using a power drill. We recommend hand tightening the roofing screws so that they sit snug and tight to the roofing material.

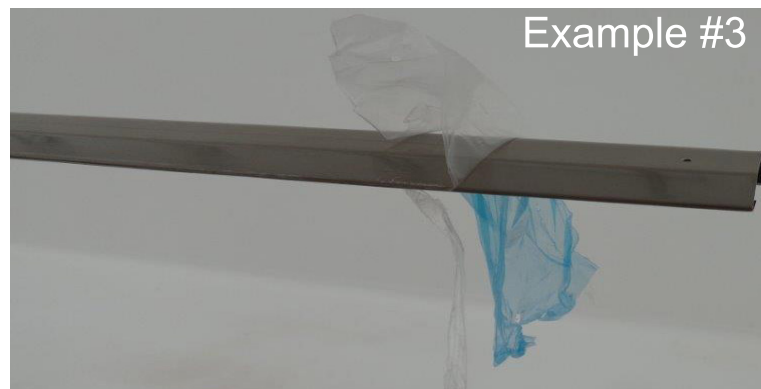
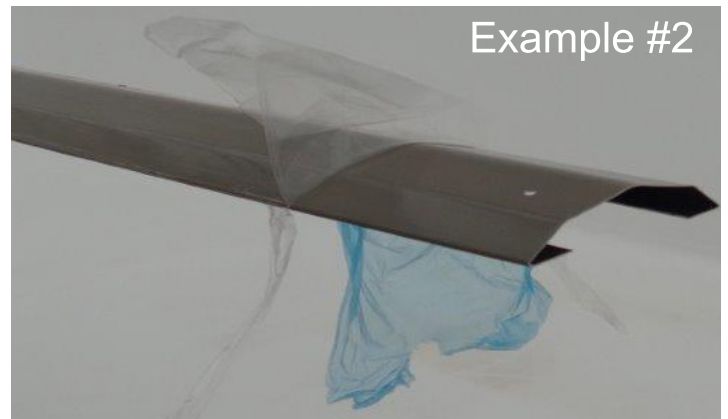
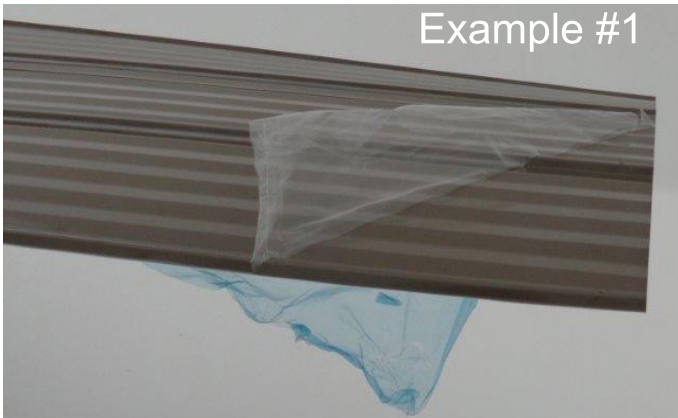


INSTALLING ROOFING MATERIAL

CAUTION!

Roofing material may have sharp edges! Wear gloves!

BE SURE TO REMOVE ALL PLASTIC COVERING, ON BOTH SIDES OF THE ALUMINUM PANELS AND TRIM, DIRECTLY BEFORE INSTALLING EACH PIECE. *(One side is clear and the other is blue, both must be removed.)*



Step 7: Attach Roof Panels

Part 1

A: Place one Long Panel Left on the front of one Roof Rafter Assembly so it is flush to the side of (1244) Corner LT and and a slight overhang at the bottom of the Fascia Beam Assembly. Holes should line up with (1248) Rafter. (F7.1 and F7.2)

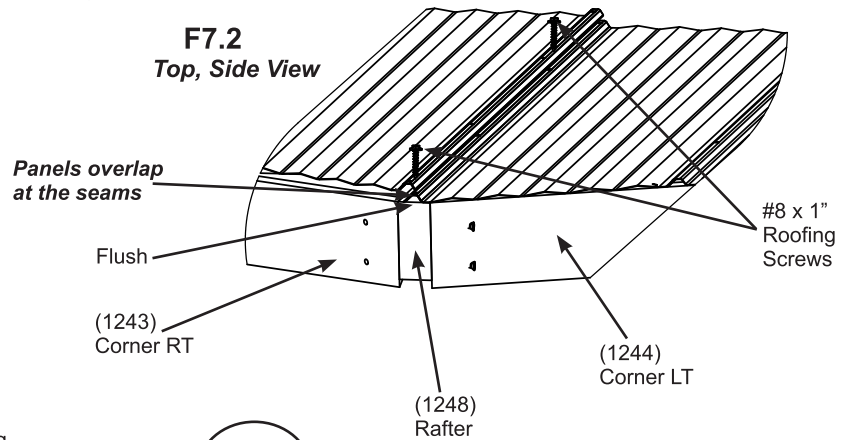
B: Place one Long Panel Right on Roof Rafter Assembly so it overlaps the Long Panel Left and it is flush to the side of (1243) Corner RT and a slight overhang at the bottom of the Fascia Beam Assembly. (F7.1 and F7.2)

C: Attach both Left and Right Long Panels to Roof Rafter Assembly with four #8 x 1" Roofing Screws in locations shown in F7.1. Be sure not to overtighten screws.

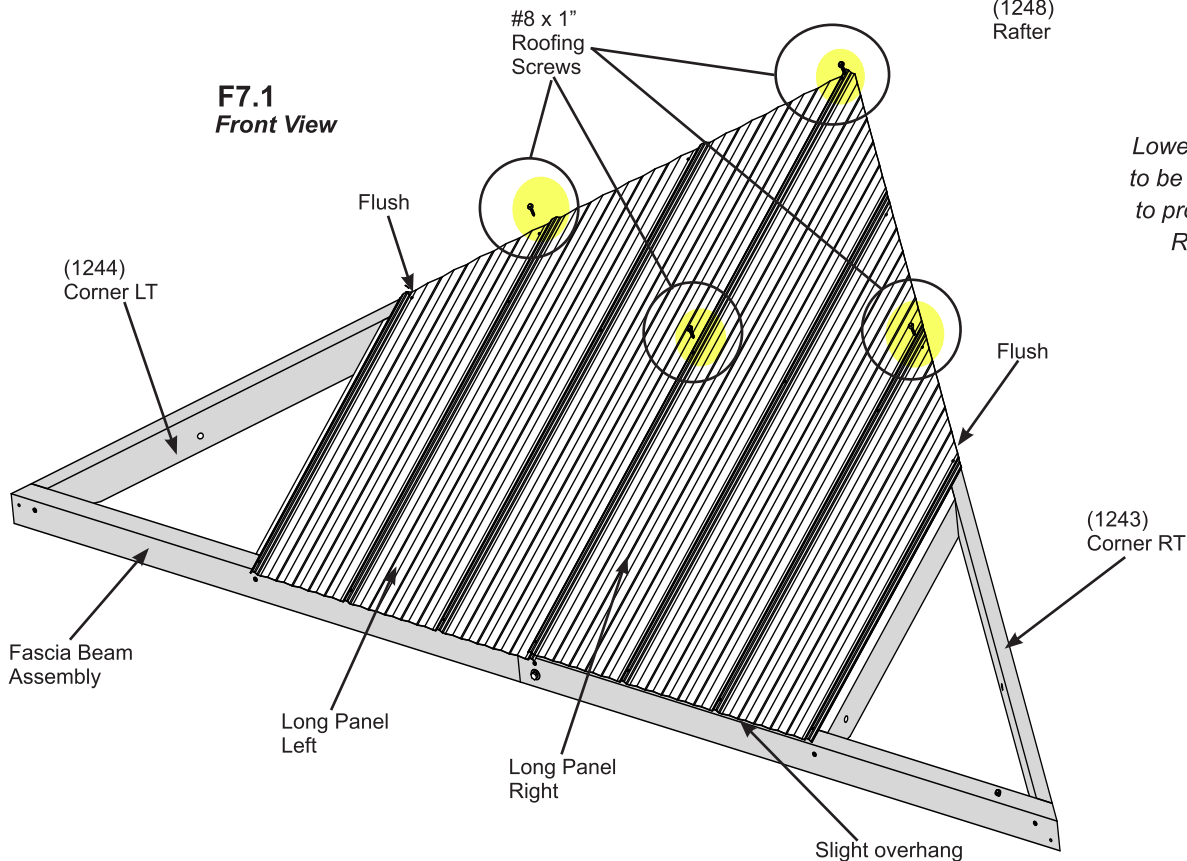
D: Repeat Steps A - C for each Roof Rafter Assembly.

DO NOT overtighten screws, could cause damage to roofing material

F7.2
Top, Side View



F7.1
Front View



Lower 3 screws may have to be removed in next step to properly place Left and Right Short Panels

Roof Parts

- 4 x Long Panel Left
- 4 x Long Panel Right

Hardware

- 16 x #8 x 1" Roofing Screw

Step 7: Attach Roof Panels

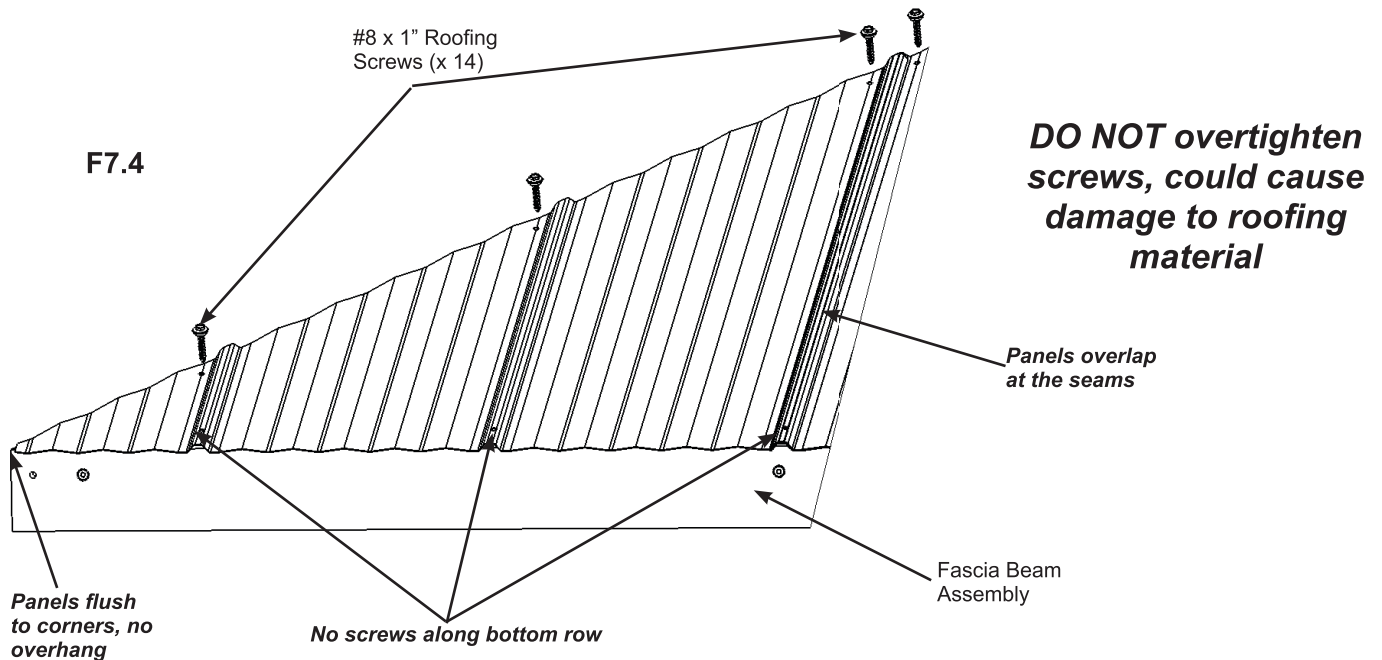
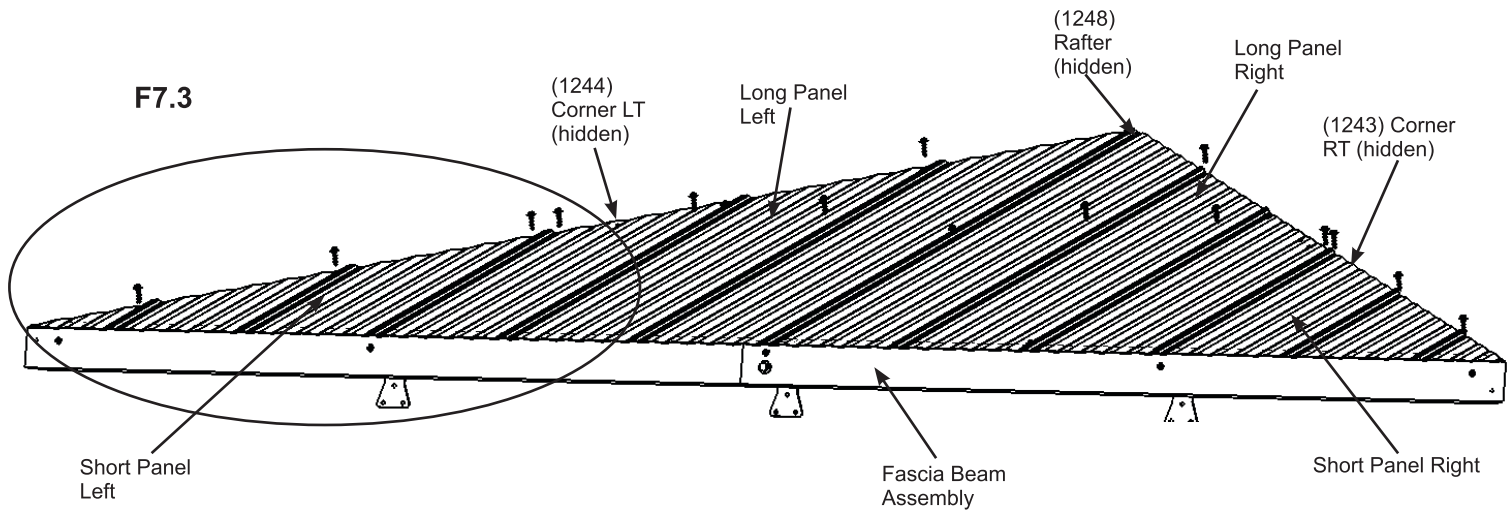
Part 2

E: Place one Short Panel Left on Roof Rafter Assembly so it overlaps the Long Panel Left and it is flush to the sides of (1244) Corner LT and a slight overhang at the bottom of the Fascia Beam Assembly. There should be no overhanging at the corners. (F7.3 and F7.4)

F: Place one Short Panel Right on Roof Rafter Assembly so it overlaps the Long Panel Right and it is flush to the side of (1243) Corner RT and a slight overhang at the bottom of the Fascia Beam Assembly. There should be no overhanging at the corners. (F7.3 and F7.4)

G: Attach all panels to Roof Rafter Assembly with 14 #8 x 1" Roofing Screws in locations shown in F7.3. Do not place any screws along the bottom row. Be sure not to overtighten screws.

H: Repeat Steps E - G for each Roof Rafter Assembly.



Roof Parts

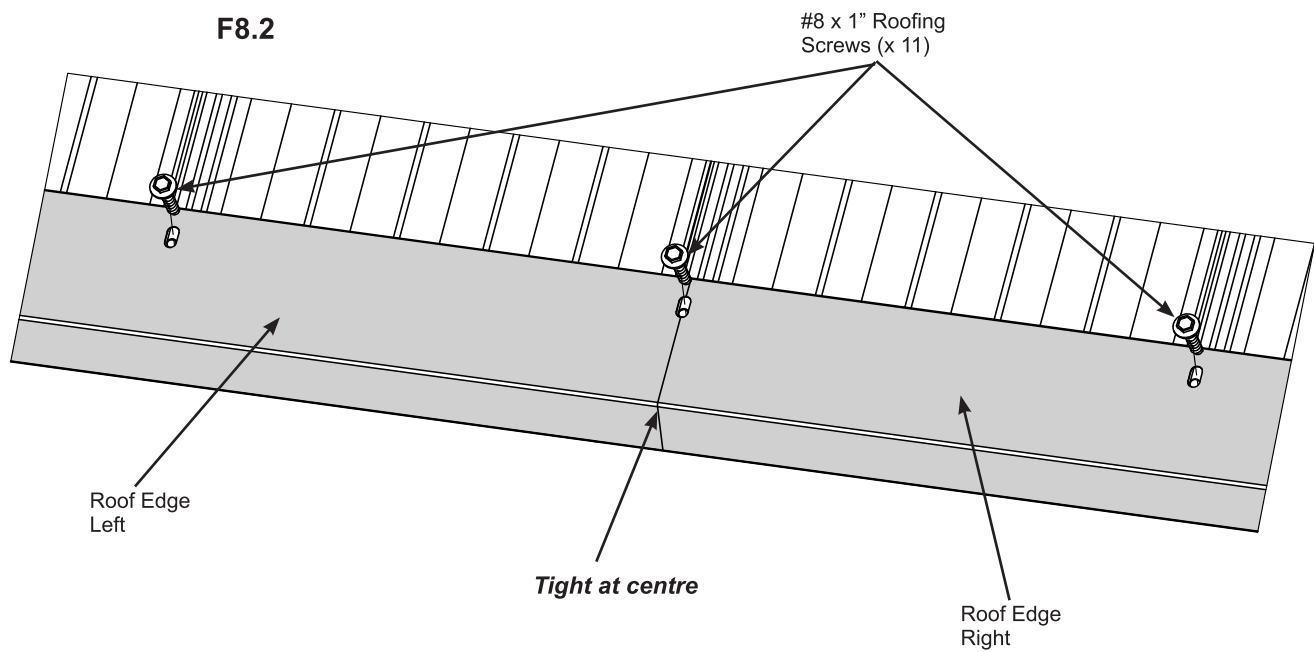
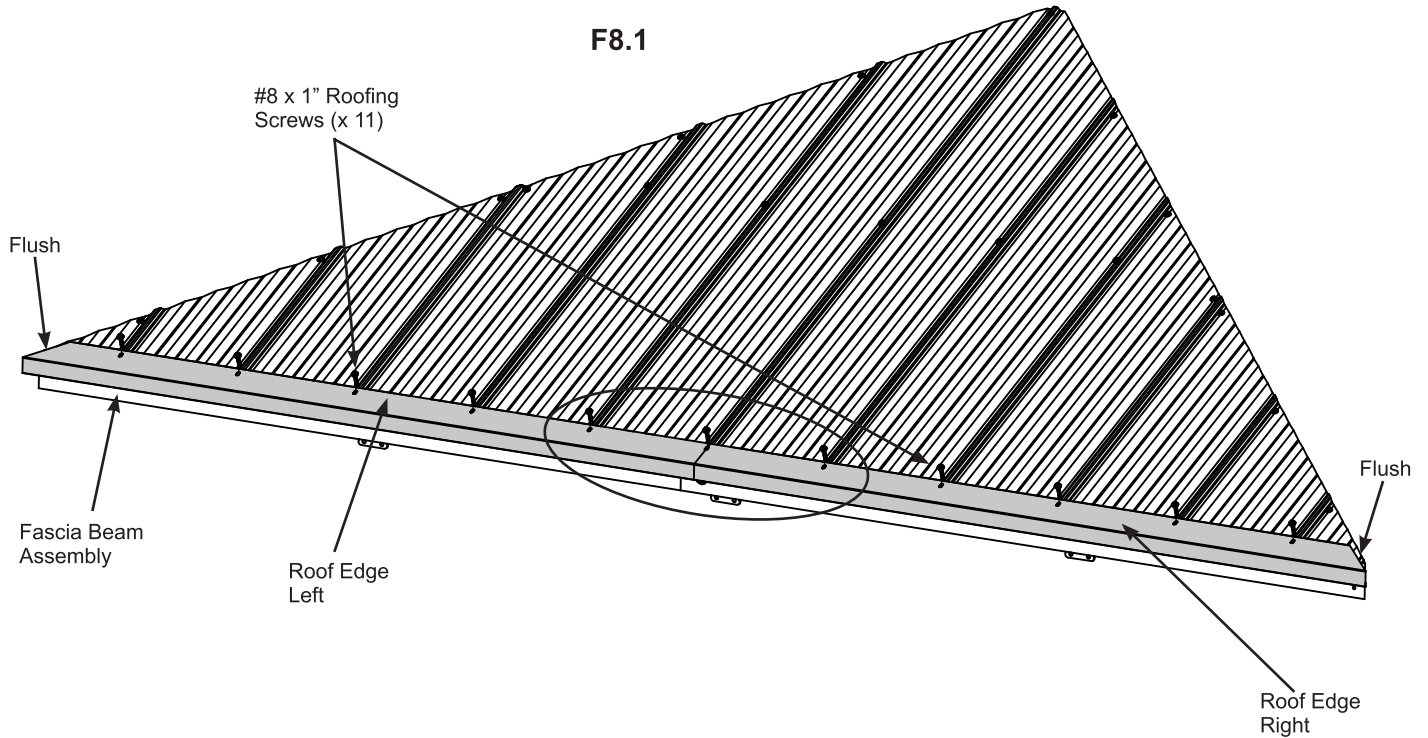
4 x Short Panel Left
4 x Short Panel Right

Hardware

56 x #8 x 1" Roofing Screw

Step 8: Attach Roof Edges

A: Place one Roof Edge Left and one Roof Edge Right on the bottom of each Roof Rafter Assembly so the ends are flush with the outside ends of the Fascia Beam Assembly and meet tight in the centre. Attach both Roof Edges with 11 #8 x 1" Roofing Screws per Roof Rafter assembly. (F8.1 and F8.2)



Components:

4 x Roof Edge Left
4 x Roof Edge Right

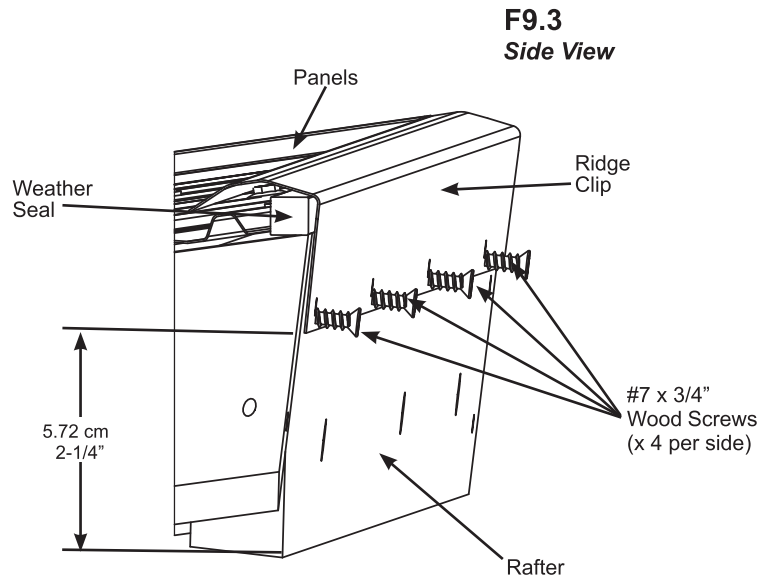
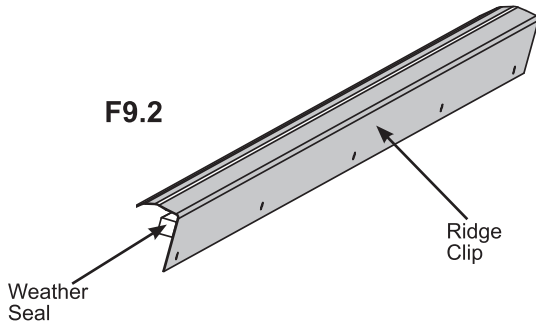
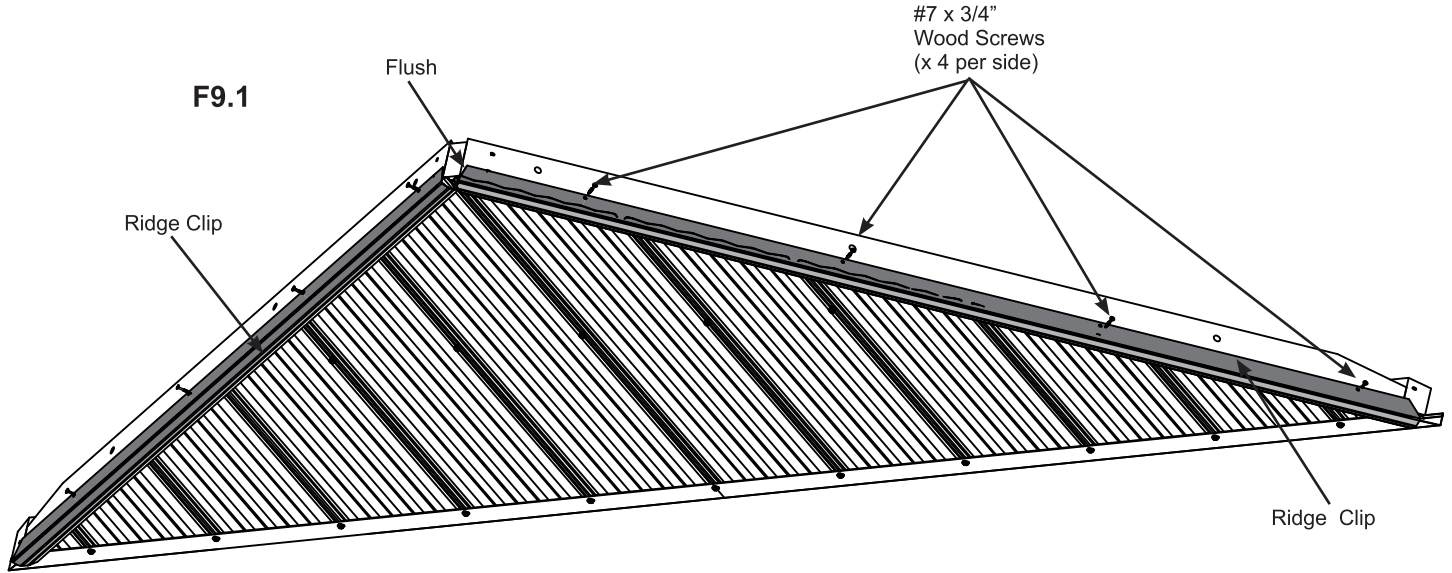
Hardware

44 x #8 x 1" Roofing Screw

Step 9: Attach Ridge Clips



A: Place one Weather Seal on the inside of each Ridge Clip then place one Ridge Clip on each side of each Roof Rafter Assembly so they cover the panels and attach with four #7 x 3/4" Wood Screws per Ridge Clip. The distance from the bottom of the Ridge Clip to the bottom of the rafter should be 2-1/4" (5.72cm). (F9.1, F9.2 and F9.3)



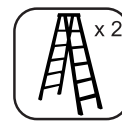
Components:

8 x Ridge Clip 85.25
8 x Weather Seal

Hardware

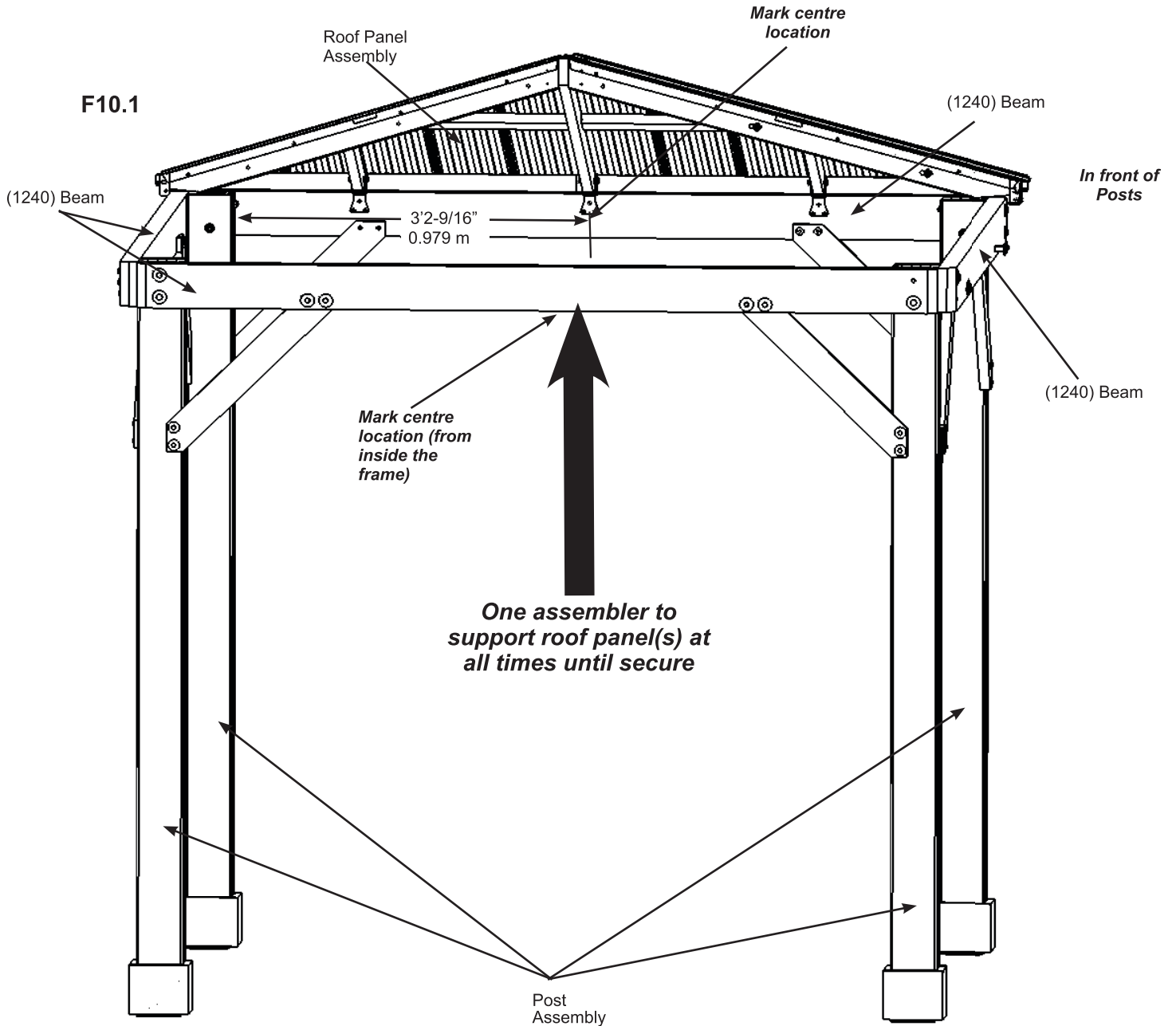
32 x #7 x 3/4" Wood Screw

Step 10: Attach Roof Panels to Frame Part 1

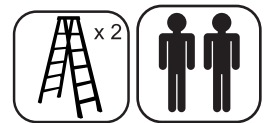


A: From inside the Post Assemblies measure 3' 2-9/16" (0.979 m) to mark the centre of each (1240) Beam. (F10.1)

B: With two assemblers place one Roof Panel Assembly with Rafter Beam Brackets just in front of the Posts then raise it up so it is over (1240) Beam, taking care not to drag the panel on the beams. Make sure the middle Rafter Beam Bracket lines up to the centre mark. (F10.1)

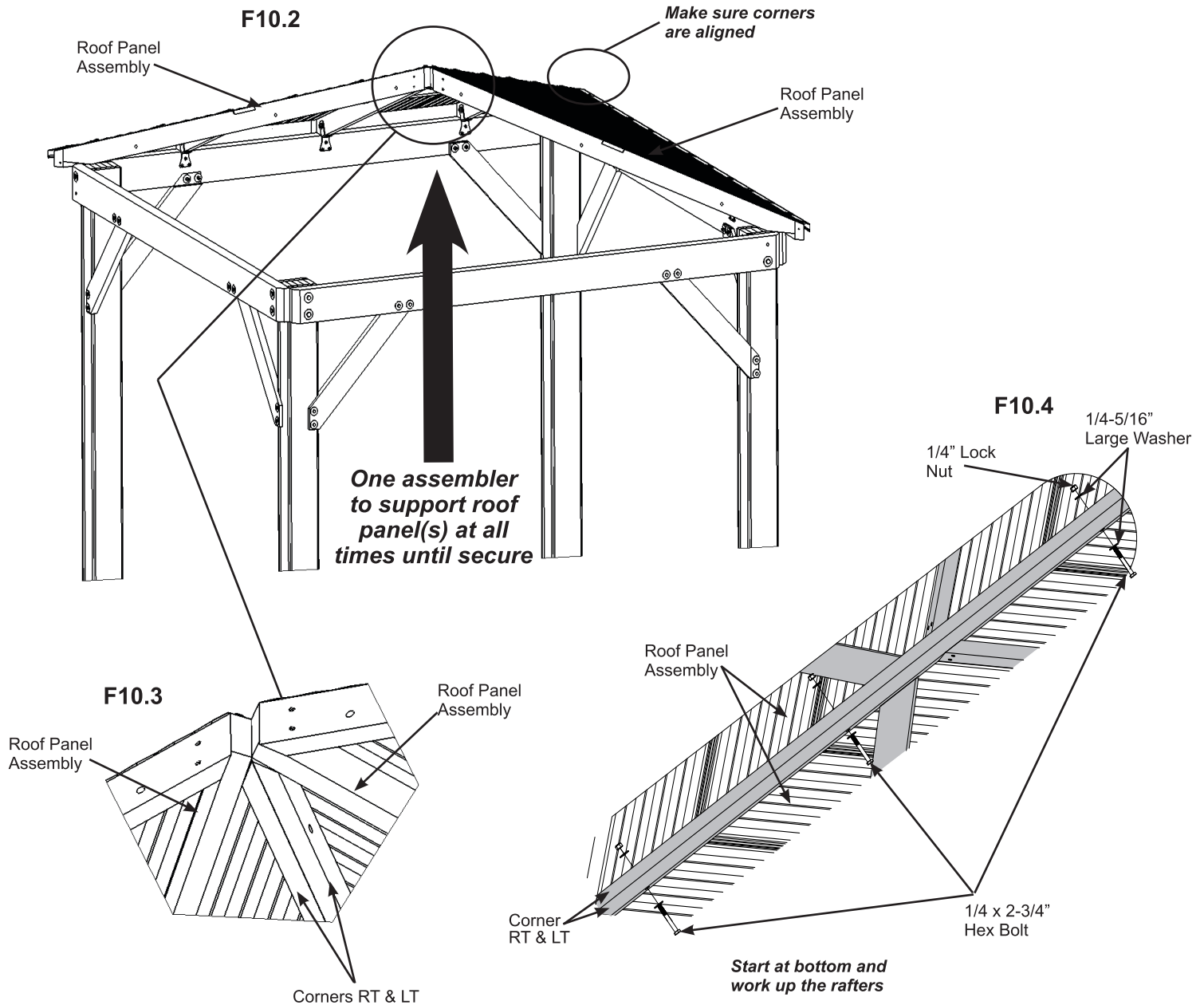


Step 10: Attach Roof Panels to Frame Part 2



C: Lift a second Roof Panel Assembly with Rafter Beam Brackets over (1240) Beam taking care not to drag the panel on the beams. Make sure the (1243) Corner RT and (1244) Corner LT are flush with each other. **One person must remain on the centre ladder to hold both panels in place until three panels are up and secure.** (F10.2 and F10.3)

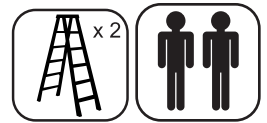
D: Starting at the bottom and working up connect Roof Panel Assemblies through (1243) Corner RT and (1244) Corner LT with three 1/4 x 2-3/4" Hex Bolts (with two 1/4-5/16" large washers and one 1/4" lock nut). To align bolt holes, helper in the centre may have to push up the centre of the panels while other helpers make sure corners are aligned. Make sure all bolts are tight. (F10.2 and F10.4)



Hardware

3 x 1/4 x 2-3/4" Hex Bolt
(1/4-5/16" large washer x 2, 1/4" lock nut)

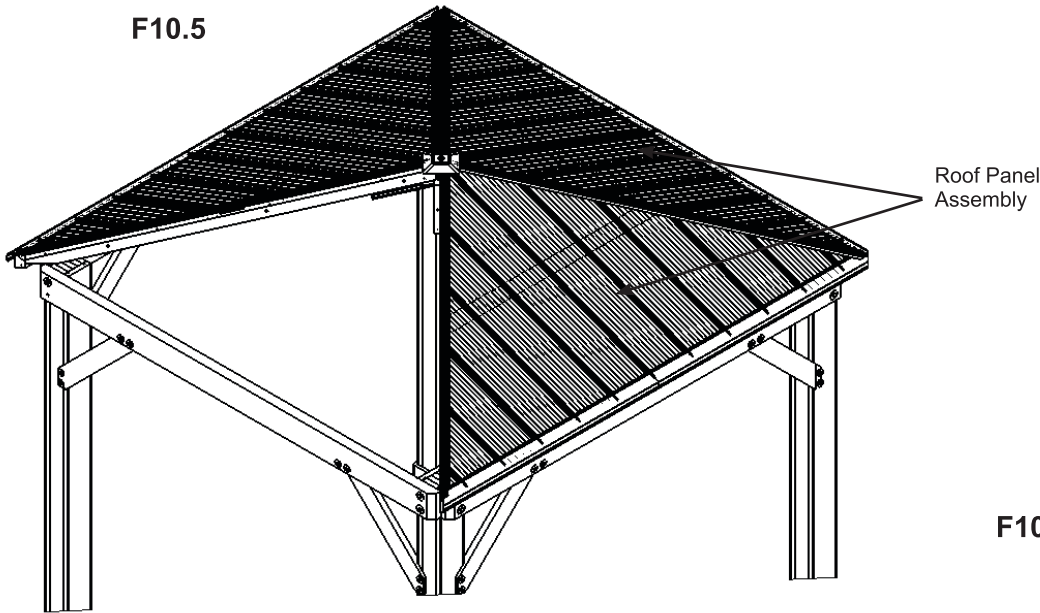
Step 10: Attach Roof Panels to Frame Part 3



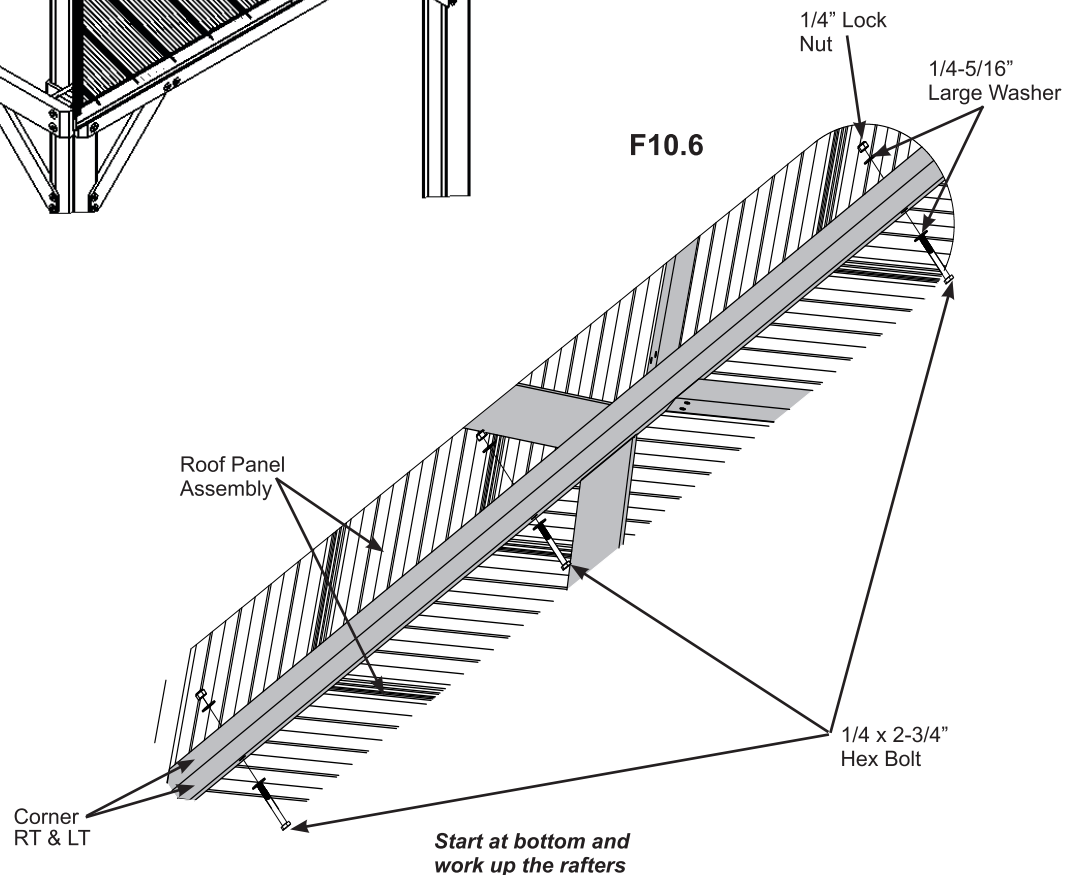
E: Lift a third Roof Panel Assembly with Rafter Beam Brackets over (1240) Beam taking care not to drag the panel on the beams then set in place beside the second panel. (F10.5)

F: Starting at the bottom and working up connect Roof Panel Assemblies through (1243) Corner RT and (1244) Corner LT with three 1/4 x 2-3/4" Hex Bolts (with two 1/4-5/16" large washers and one 1/4" lock nut). To align bolt holes helper on the centre ladder may have to push up in the centre of the panels and others make sure corners are aligned. Make sure all bolts are tight. (F10.6)

F10.5



F10.6



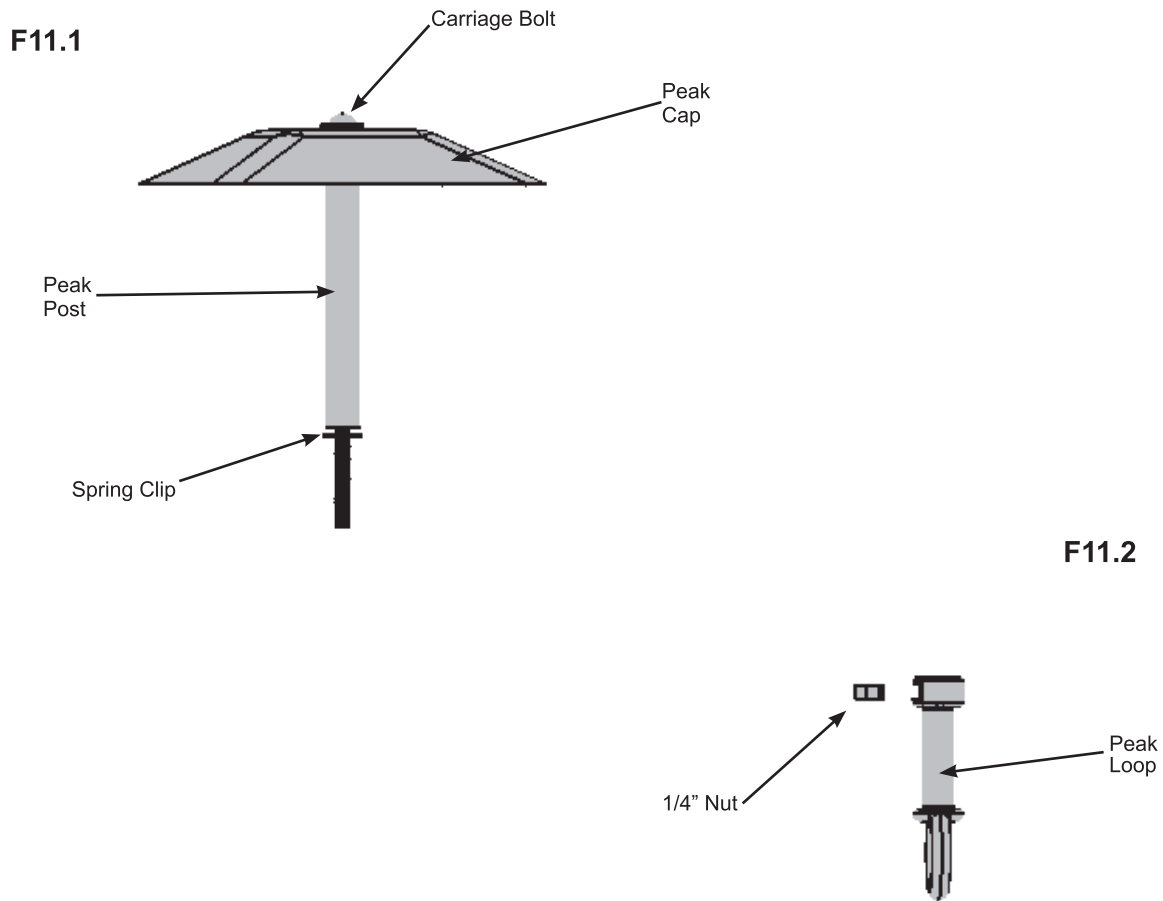
Hardware

3 x 1/4 x 2-3/4" Hex Bolt
(1/4-5/16" large washer x 2, 1/4" lock nut)

Step 11: Roof Peak Assembly

A: Insert Carriage Bolt through the top of Peak Cap, into Peak Post then Spring Clip. The Spring Clip holds the assembly together. (F11.1)

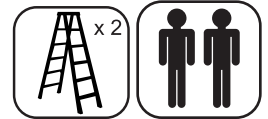
B: Insert 1/4" Nut into Peak Loop. Be careful nut is loose and will fall out until attached to Peak Cap Assembly. (F11.2)



Components:

1 x Roof Peak Set	1 x Peak Cap
1 x Carriage Bolt	1 x Peak Post
1 x Peak Loop	
1 x Spring Clip	
1 x 1/4" Nut	

Step 12: Attach Roof Peak to Roof Panels

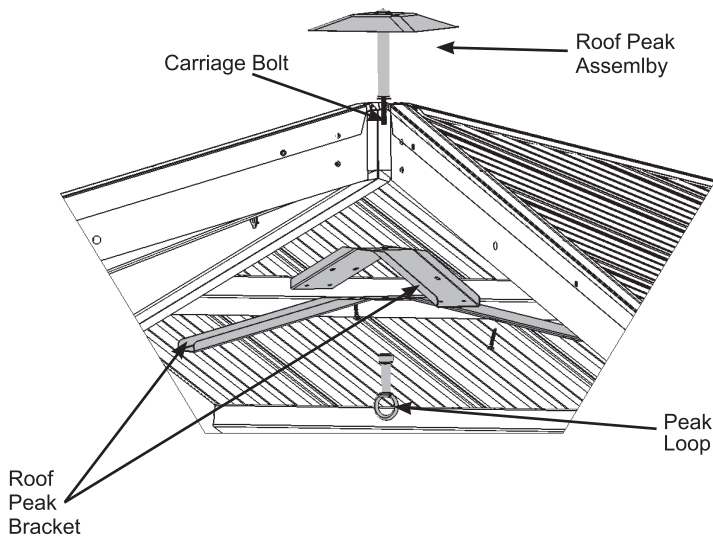


A: Insert Roof Peak Assembly in gap between Roof Panels. Peak Cap to be lined up with (1243) Corner RT and (1244) Corner LT. (F12.1 and F12.2)

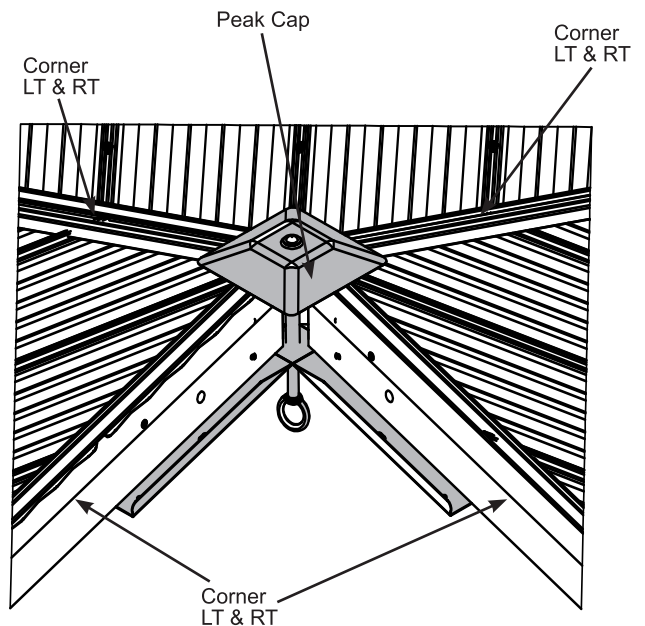
B: Insert both Roof Peak Brackets through Carriage Bolt and attach Peak Loop to Carriage Bolt and twist to tighten loosely.

C: Loosely attach both Roof Peak Brackets to (1243) Corner RT and (1244) Corner LT in the slotted holes with two #10 x 1-1/4" Pan Screws as shown in F12.3.

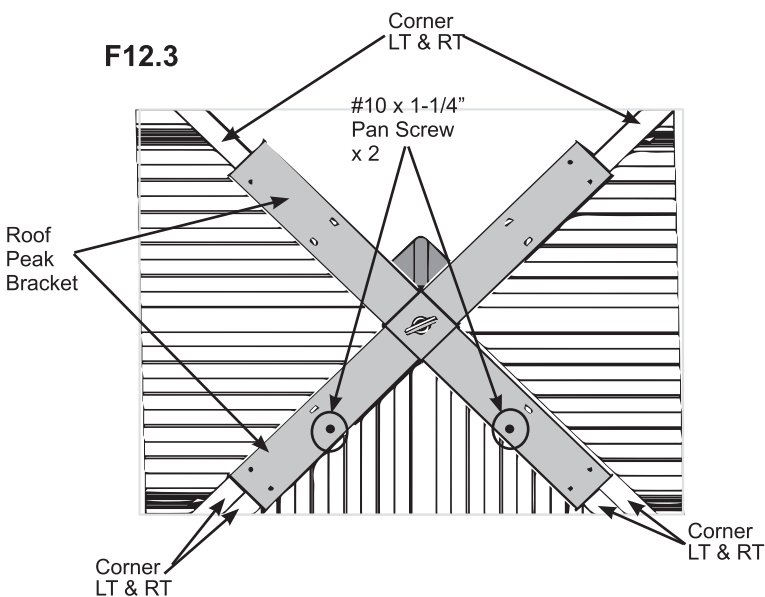
F12.1



F12.2



F12.3



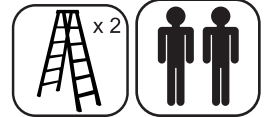
Components:

2 x Roof Peak Brackets

Hardware

2 x #10 x 1-1/4" Pan Screw

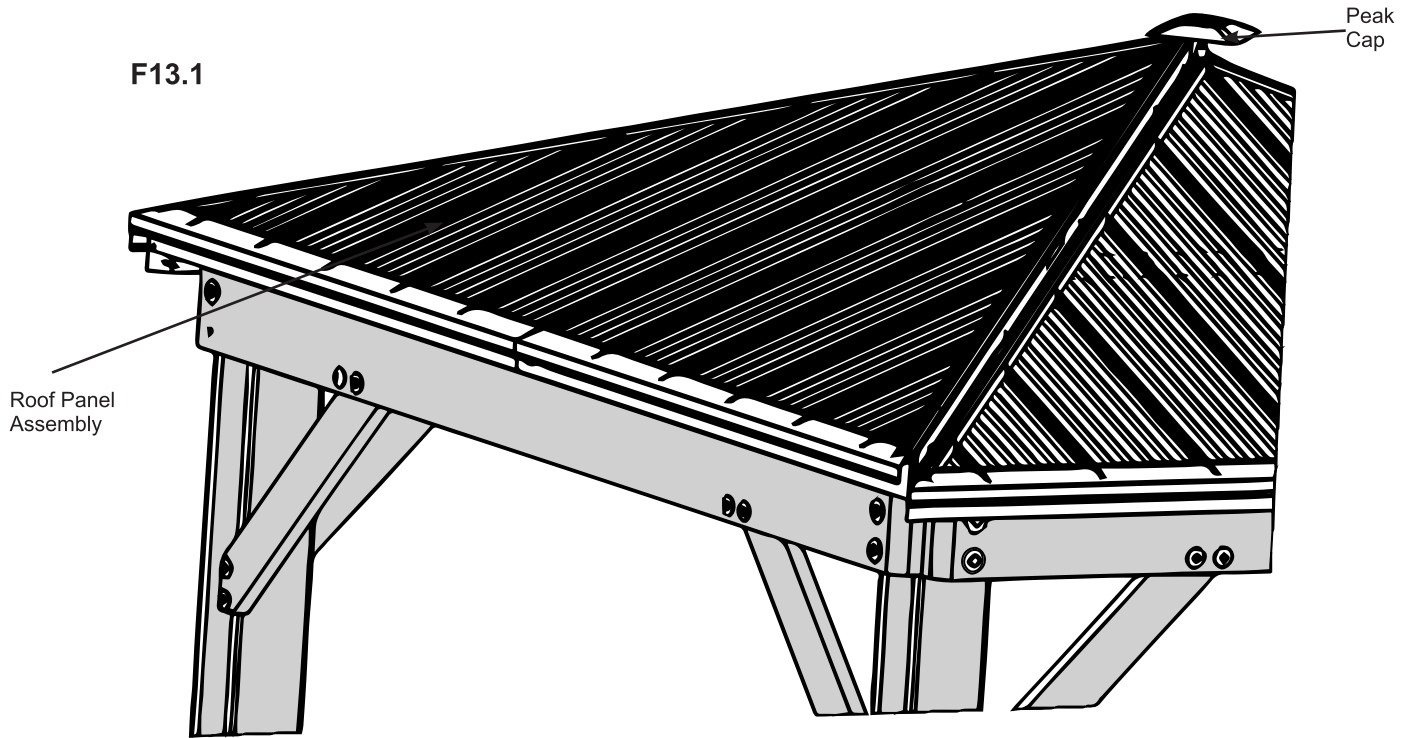
Step 13: Attach Final Roof Panel Part 1



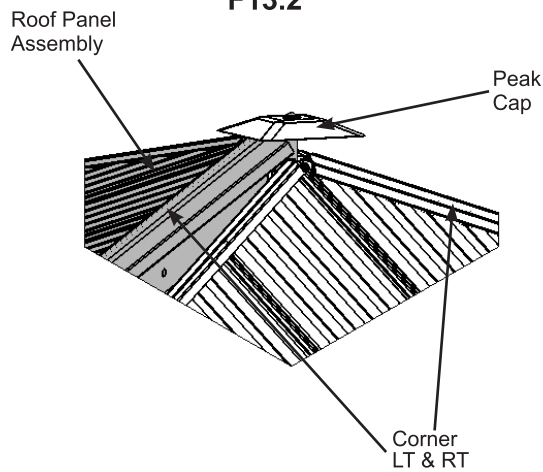
A: Lift last Roof Panel Assembly (without Rafter Beam Brackets) over (1240) Beam taking care not to drag the panel on the beams. Panel fits under the Peak Cap, push up on Peak Loop to lift Peak Cap. The centre of the other panels may have to be pushed up to fit fourth panel. (F13.1 and F13.2)

B: Check again that Peak Cap is lined up with (1243) Corner RT and (1244) Corner LT. (F13.3)

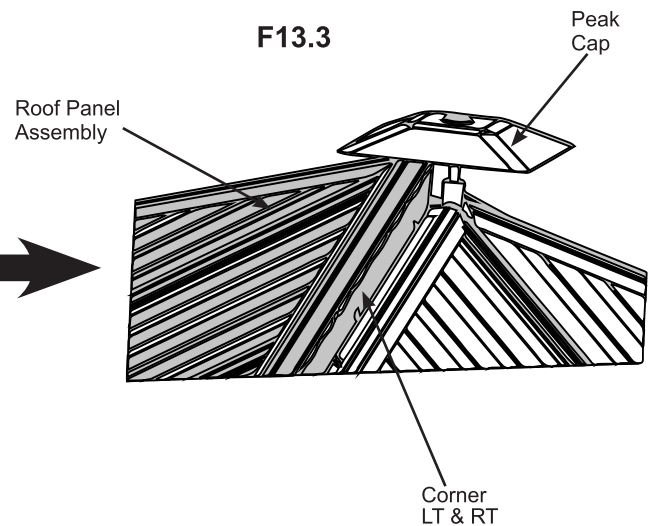
F13.1



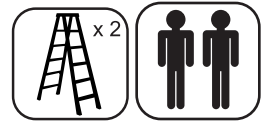
F13.2



F13.3



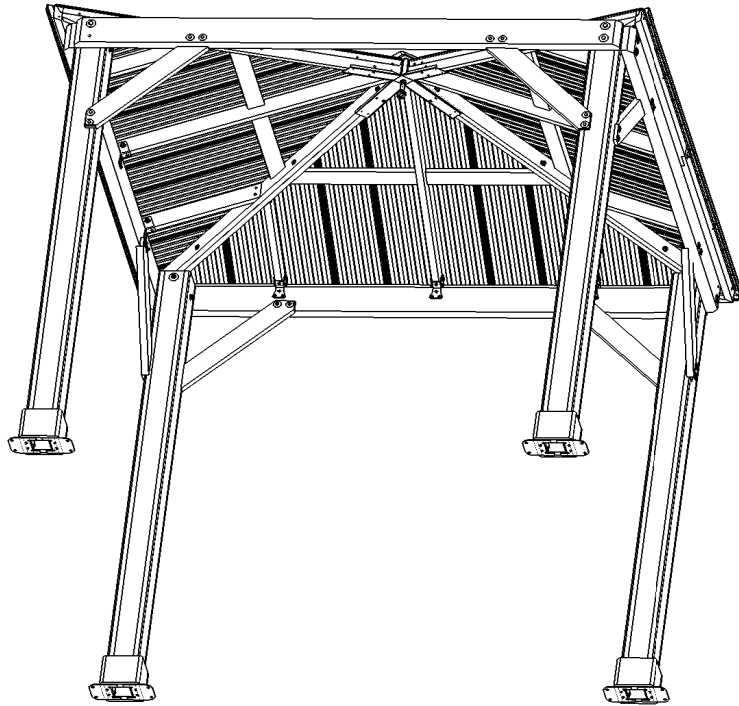
Step 13: Attach Final Roof Panel Part 2



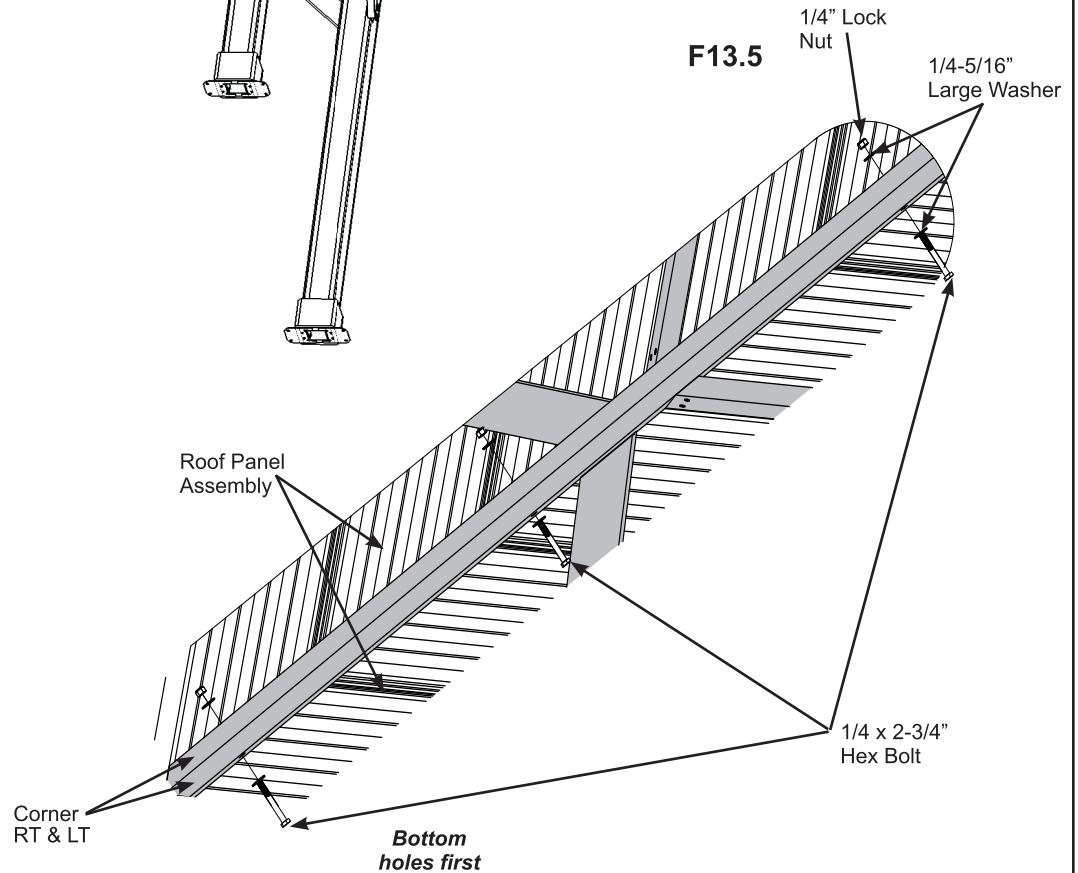
Remember to push up centre to assist with alignment.

C: Starting at the bottom and working up loosely connect Roof Panel Assemblies through (1243) Corner RT and (1244) Corner LT with three 1/4 x 2-3/4" Hex Bolts (with two 1/4-5/16" large washers and one 1/4" lock nut) per side. To align bolt holes helper on the centre ladder may have to push up in the centre of the panels and others make sure corners are aligned. Tighten bolts when all six have been installed. (F13.4 and F13.5)

F13.4



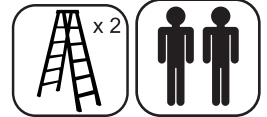
F13.5



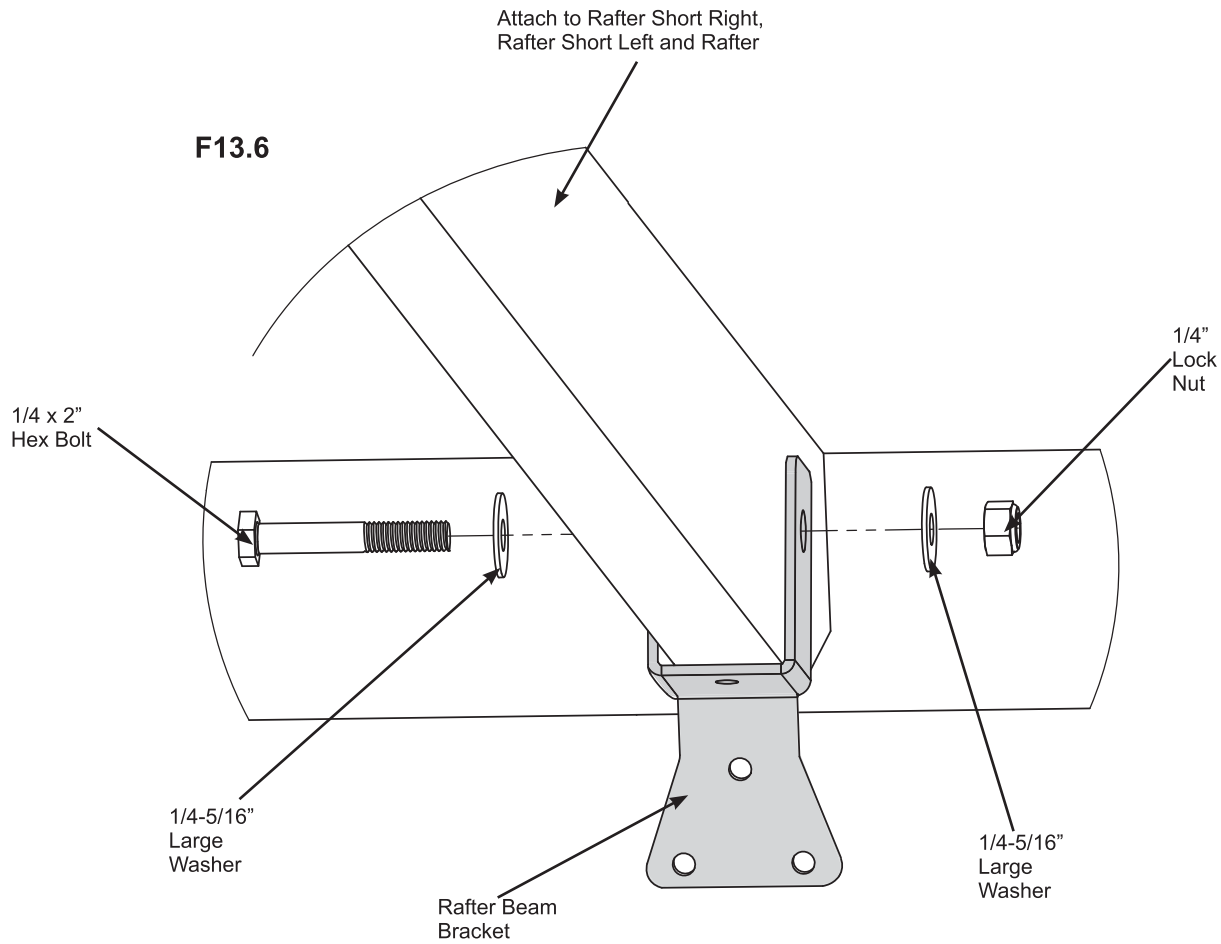
Hardware

6 x 1/4 x 2-3/4" Hex Bolt
(1/4-5/16" large washer x 2, 1/4" lock nut)

Step 13: Attach Final Roof Panel Part 3



D: On the fourth Roof Rafter Assembly, place one Rafter Beam Bracket on (1246) Rafter Short Left, (1247) Rafter Short Right and (1248) Rafter. Loosely attach each bracket to rafters with one 1/4 x 2" Hex Bolt (with two 1/4-5/16" large washers and one 1/4" lock nut). (F13.6)



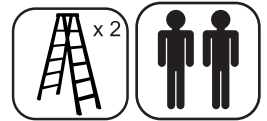
Components:

3 x Rafter Beam Bracket

Hardware

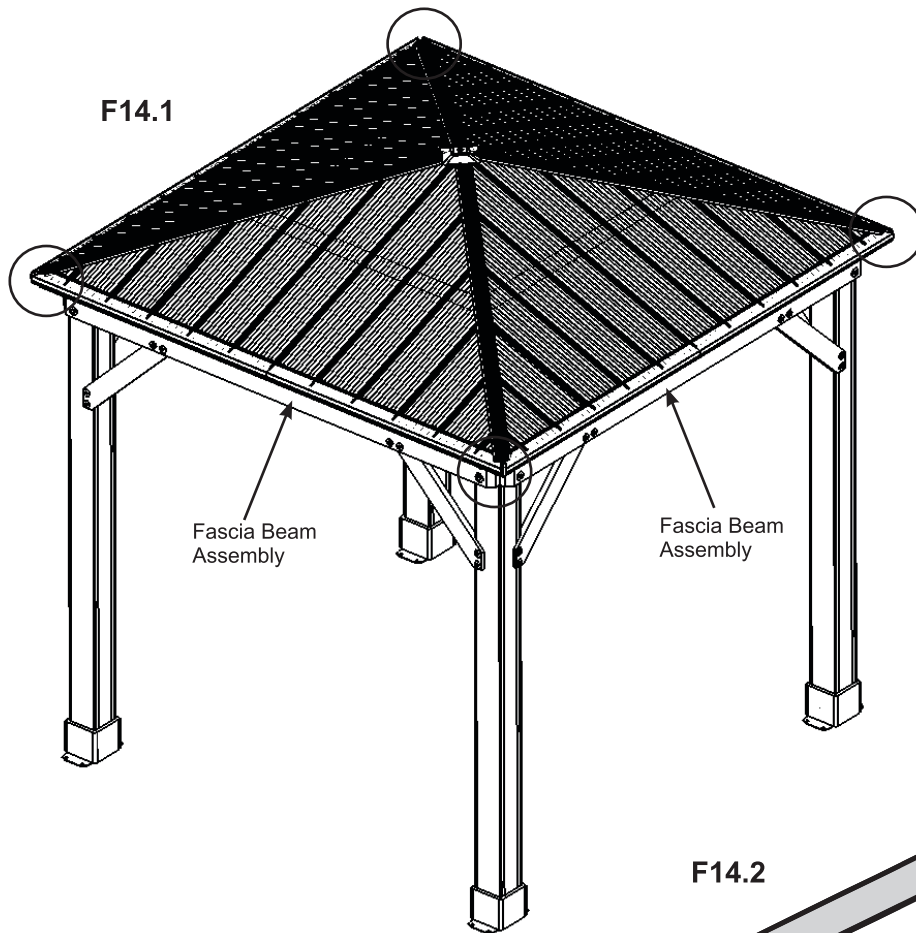
3 x 1/4 x 2" Hex Bolt
(1/4-5/16" large washer x 2, 1/4" lock nut)

Step 14: Secure Roof Corners

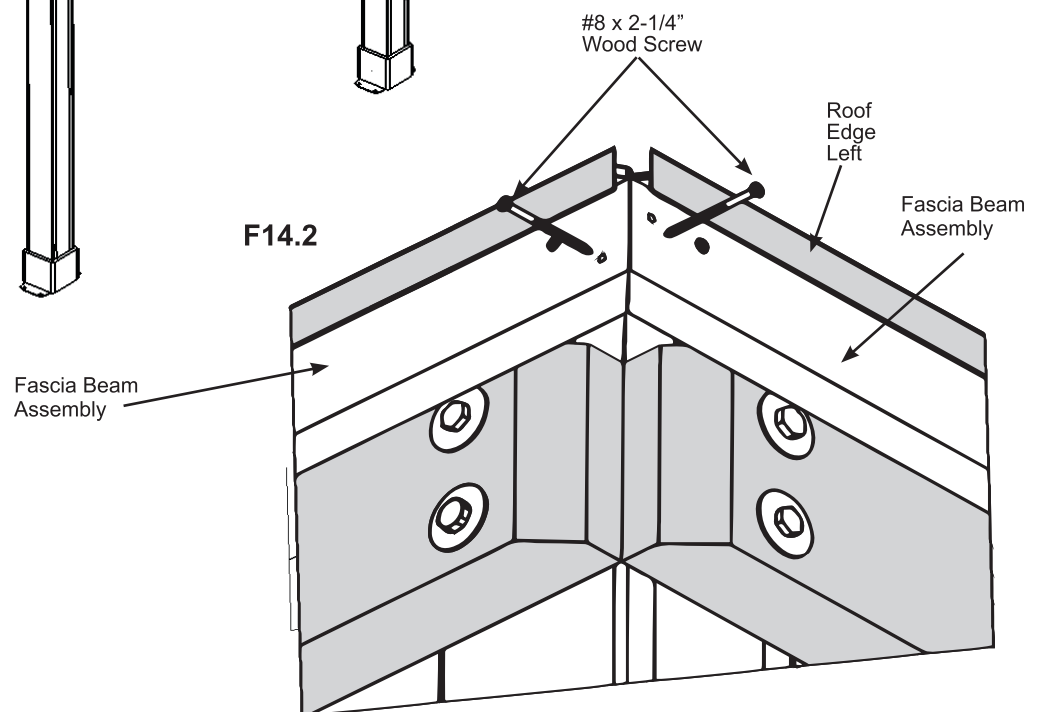


A: Make sure middle Rafter Beam Brackets are lined up over centre mark and all are flush and tight to (1240) Beams. Lift in centre if needed to adjust Roof Panel Assemblies.

B: From outside the assembly attach Roof Panel Assemblies together at the Fascia Beam Assembly ends with two #8 x 2-1/4" Wood Screws per corner. A helper may need to lift the centre of the roof to bring the corners tight together. (F14.1 and F14.2)



Note: You will need to lift Roof Edge Left at the corner to install the top screw



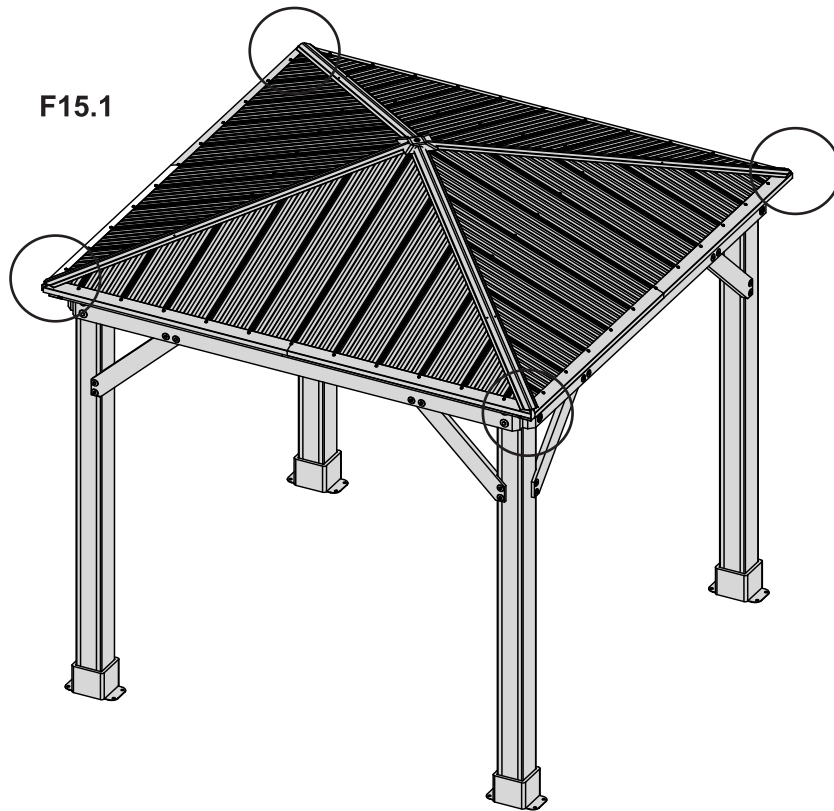
Hardware

8 x #8 x 2-1/4" Wood Screw

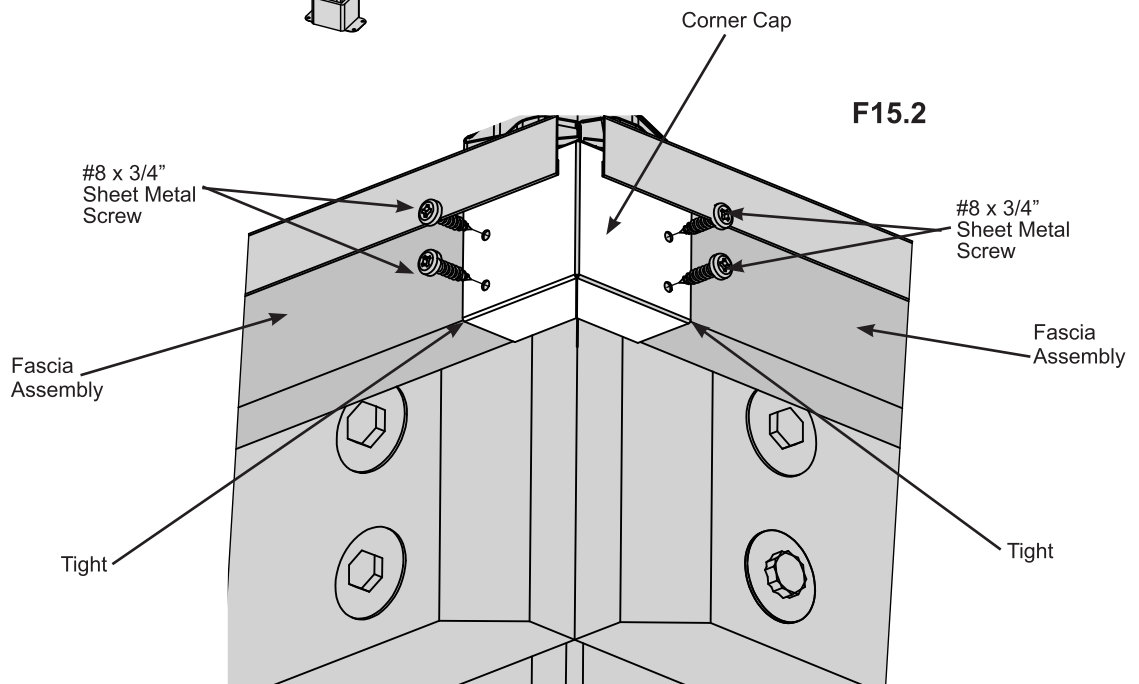
Step 15: Attach Corner Caps



A: At each corner place one Corner Cap tight to Fascia Assemblies, push up so the bottom is tight to the bottom of the assemblies then attach with four #8 x 3/4" Sheet Metal Screws per Corner Cap. (F15.1 and F15.2)



F15.1



F15.2

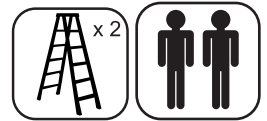
Components:

4 x Corner Cap

Hardware

16 x #8 x 3/4" Sheet Metal Screw

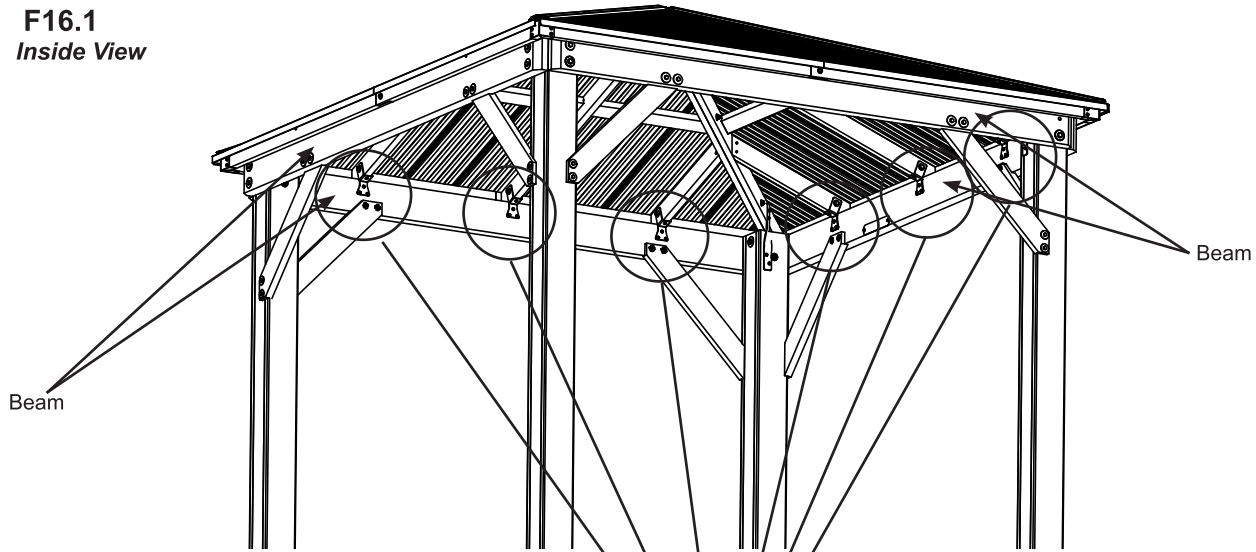
Step 16: Secure Rafter Beam Brackets



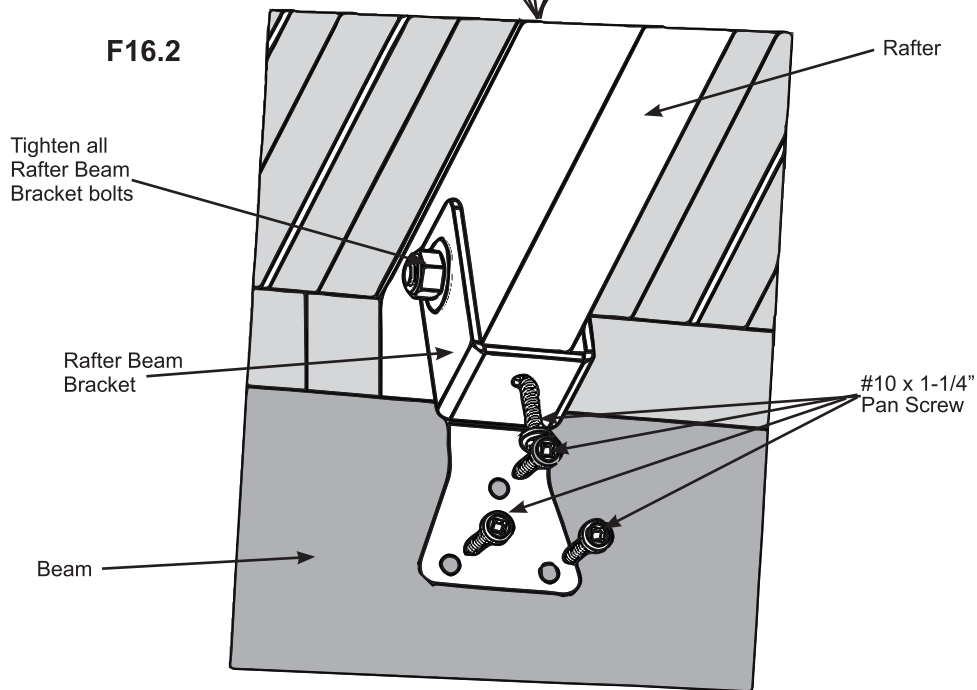
A: From inside the assembly attach Rafter Beam Brackets to beams and rafters with four #10 x 1-1/4" Pan Screws per bracket. (F16.1 and F16.2)

B: Tighten all bolts in Rafter Beam Brackets. (F16.1 and F16.2)

F16.1
Inside View



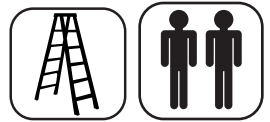
F16.2



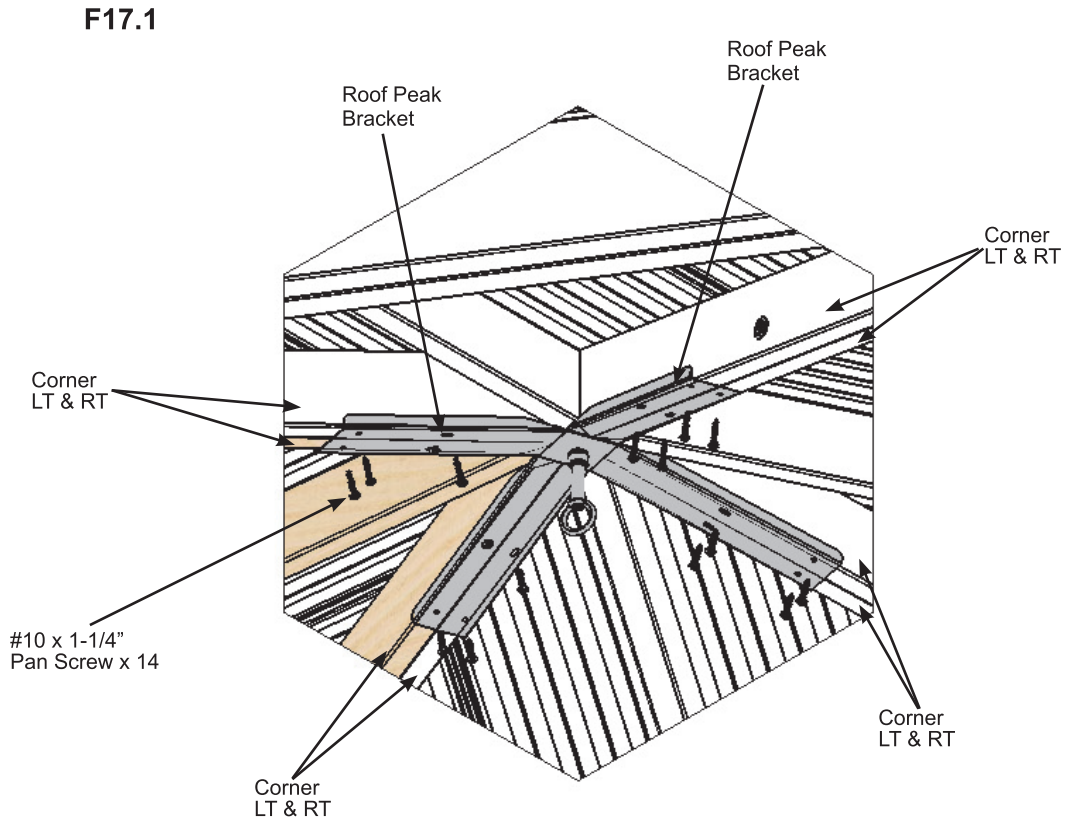
Hardware

48 x #10 x 1-1/4" Pan Screw

Step 17: Secure Roof Peak Brackets



A: Tighten the two screws in Roof Peak Brackets then attach to (1243) Corner RTs and (1244) Corner LTs in the remaining holes with fourteen #10 x 1-1/4" Pan Screws. (F17.1)



Hardware

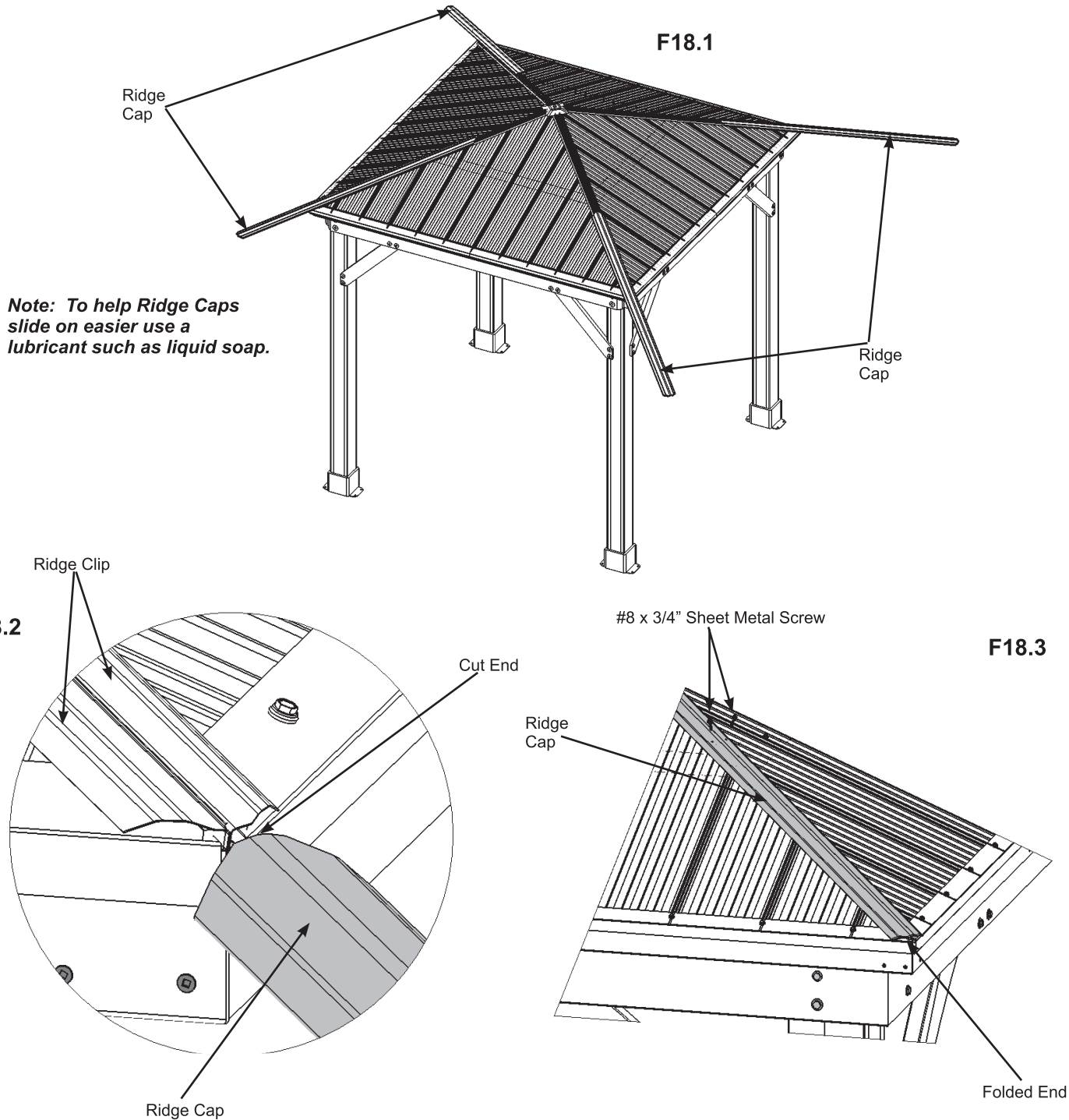
14 x #10 x 1-1/4" Pan Screw

Step 18: Attach Ridge Caps to Roof Panels



A: Slide one Ridge Cap over the Ridge Clips, with cut end leading, on each corner of the assembly from the bottom up, lifting Peak Cap by pushing up the Peak Loop so Ridge Caps fit under Peak Cap then attach with two #8 x 3/4" Sheet Metal Screws per Ridge Cap. (F18.1, F18.2 and F18.3)

B: Tighten Loop to secure Roof Peak Set.



Components:

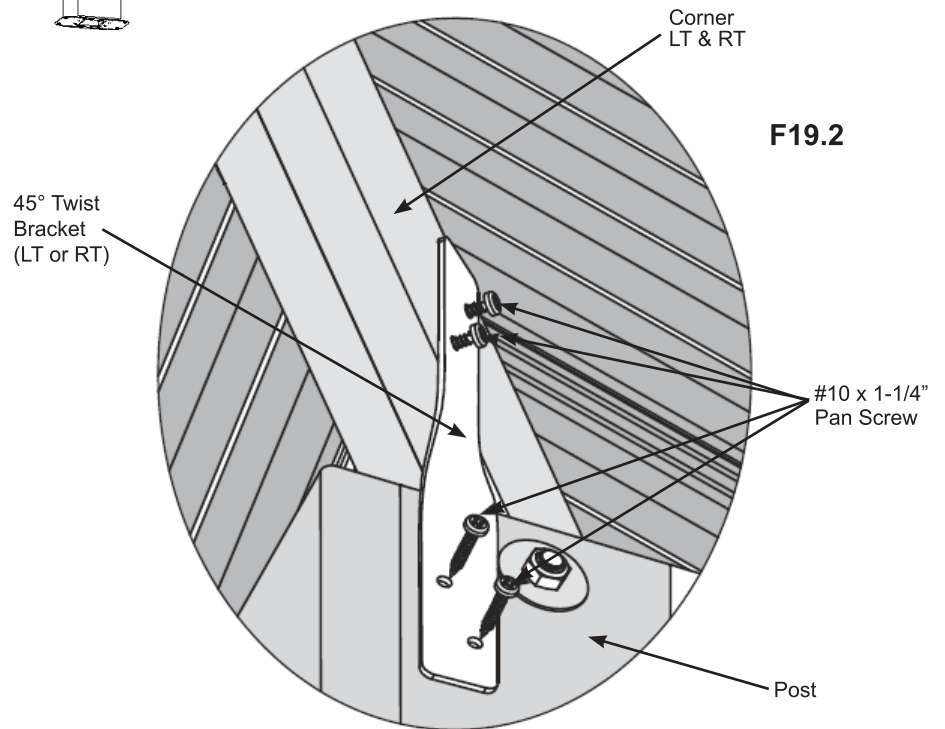
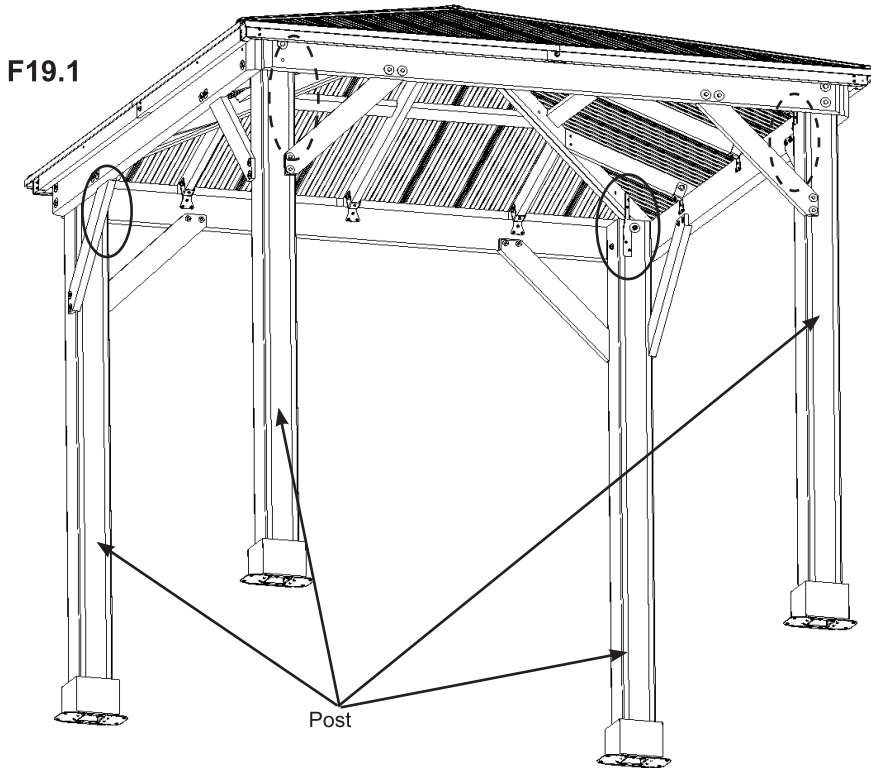
4 x Ridge Cap

Hardware

8 x #8 x 3/4" Sheet Metal Screw

Step 19: Attach Twist Brackets

A: Attach 45° Twist Bracket LT or 45° Twist Bracket RT to posts and LT Corner Rafters and RT Corner Rafters with four #10 x 1-1/4" Pan Screws per bracket, as shown in F19.1 and F19.2.



Components:

2 x 45° Twist Bracket LT
2 x 45° Twist Bracket RT

Hardware

16 x #10 x 1-1/4" Pan Screw

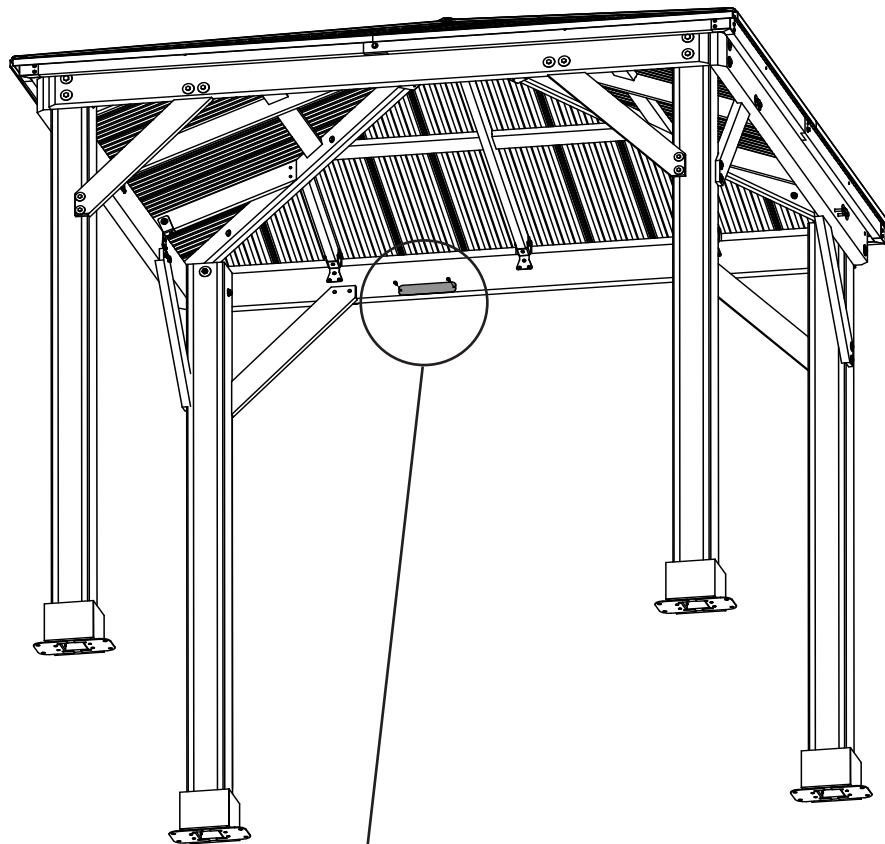
Step 20: Metal Hooks and Plaque



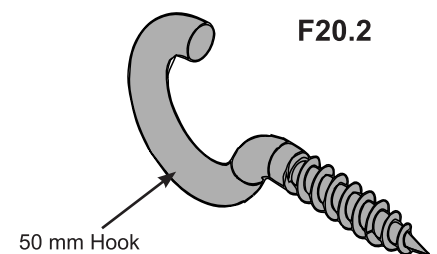
A: Two 50 mm Hooks are included with this unit for attaching wiring. They can be placed anywhere along the (1243) Corner RTs and (1244) Corner LTs as needed. Pre-drill with a 1/8" drill bit before installing. (F20.1 and F20.2)

B: Attach Gazebo ID Plaque to a prominent location on your gazebo with two #10 x 1-1/4" Pan Screws. This provides warnings concerning safety and important contact information. A tracking number is provided to allow you to get critical information or order replacement parts for this specific model. (F20.1 and F20.3)

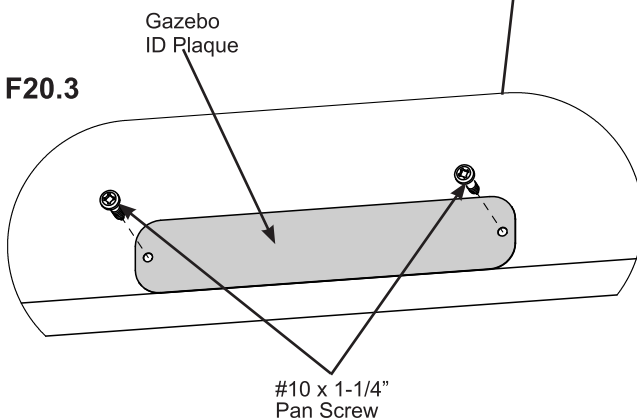
F20.1



F20.2



F20.3



Note: We have provided two 50 mm hooks for optional use to hold in place any wires if required. These hooks are not designed to hold any heavy products such as lights, flower pots, etc.

Components

2 x 50 mm Hooks
1 x Gazebo ID Plaque

Hardware

2 x #10 x 1-1/4" Pan Screw



Customer Registration Card - Tarjeta de Registro del Cliente - Carte d'inscription du client

First Name - Primer Nombre - Prénom	Initial - Inicial - Initiale	Last Name - Apellido - Nom de famille

Street - Calle - Rue	PO Box - Casilla postal - Boîte postale	Apt. No. - App.

City - Ciudad - Ville	State/Province - Estado/Provincia - État/Province

ZIP/Postal Code - Código Postal - ZIP/Code postal	Country - País - Pays

E-mail Address - Dirección de E-mail - Adresse courriel	Telephone Number - No. de Teléfono - N° de téléphone

Model Name - Nombre del Modelo - Nom du modèle	Model Number (from front cover) - Número de Modelo (de la portada) - N° du modèle (page de couverture)

Date of Purchase - Fecha de Compra - Date d'achat (mm/dd/yyyy) (mm/dd/aaaa) (mm/jj/aaaa)	Place of Purchase - Comprado a - Lieu d'achat

Comments - Comentarios - Commentaires:

Mail To - Enviar por Correo a - Envoyer par courrier à:

Yardistry
375 Sligo Road West, PO Box 10
Mount Forest, Ontario, Canada, N0G 2L0
Attention: Consumer Relations
Atención a: Servicio de Atención al Cliente
À l'attention de: Service à la clientèle

Online Registration - Registro online - Enregistrement en ligne:

www.yardistrystructures.com/warranty

Hours/ Heures/ Horas: 8:30 am - 5:00 pm EST
(excl. holidays/ hors jours fériés/ excepto los días festivos)

English and French Spoken / Anglais et français parlés / Inglés y francés hablado

Yardistry would like to say "Thank you" for your time and feedback.
Yardistry quiere "Agradecerle" por su tiempo y su opinión.
Yardistry aimerait vous remercier d'avoir pris le temps de répondre au sondage.