

SHOWER/HAND SHOWER TRIM

MODEL: 0488-3505-T736-2.0-TRM

INSTALLATION GUIDE

FEATURE HIGHLIGHTS

Shower/Hand Shower Trim shall include metal lever handles, shower arm with decorative flange, hand shower coupling with flange, in-line vacuum breaker, ADA 1 mode hand shower and 1 mode showerhead with 2.0 gpm (7.6 L/min) flow restrictors. Shower/Hand Shower Trim shall be metal construction plated in standard polished chrome finish.

MODIFICATIONS

□ **-1.75** **CG** 1.75 gpm (6.6 L/min) flow restrictor

Note: Append appropriate -suffix to model number.

COMPLIANCE

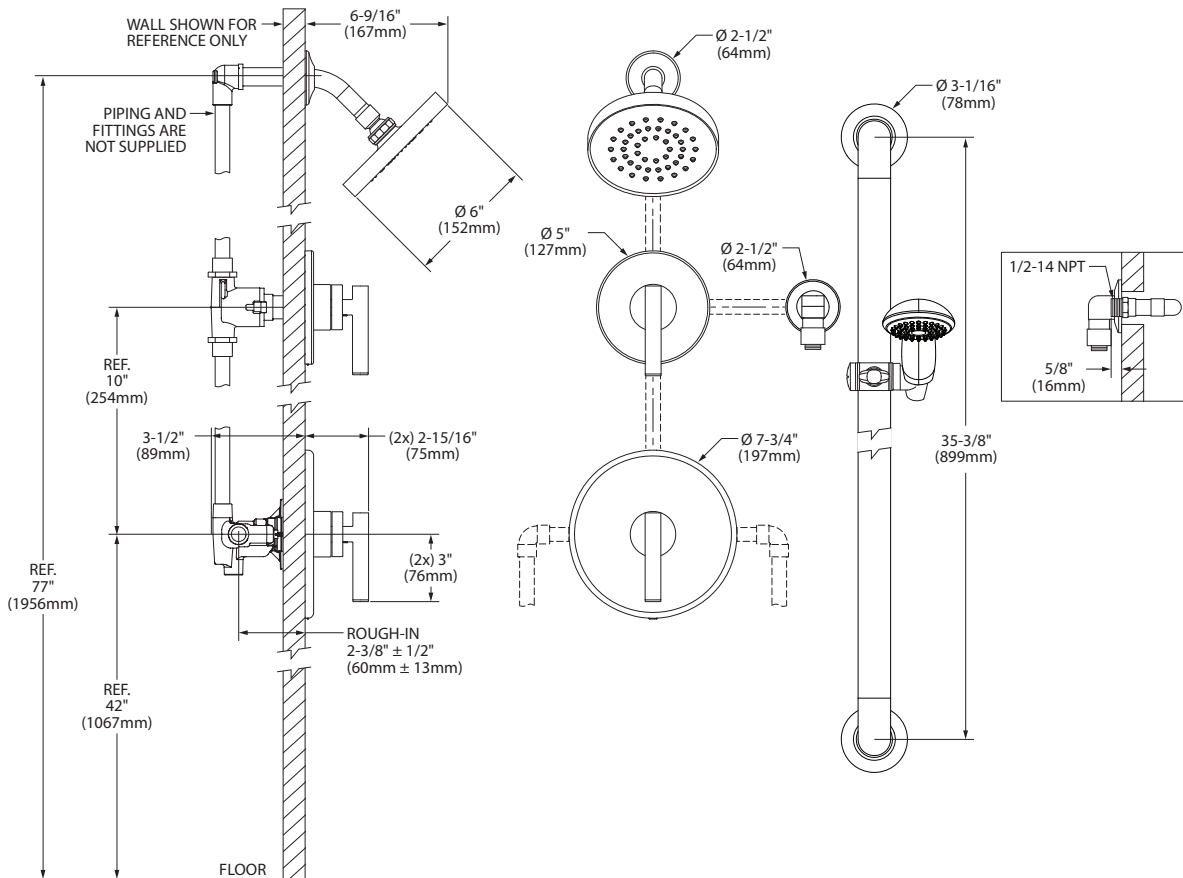
- ASME A112.18.1/CSA B125.1
- ASSE 1014 (in-line vacuum breaker for back flow protection)



WARRANTY

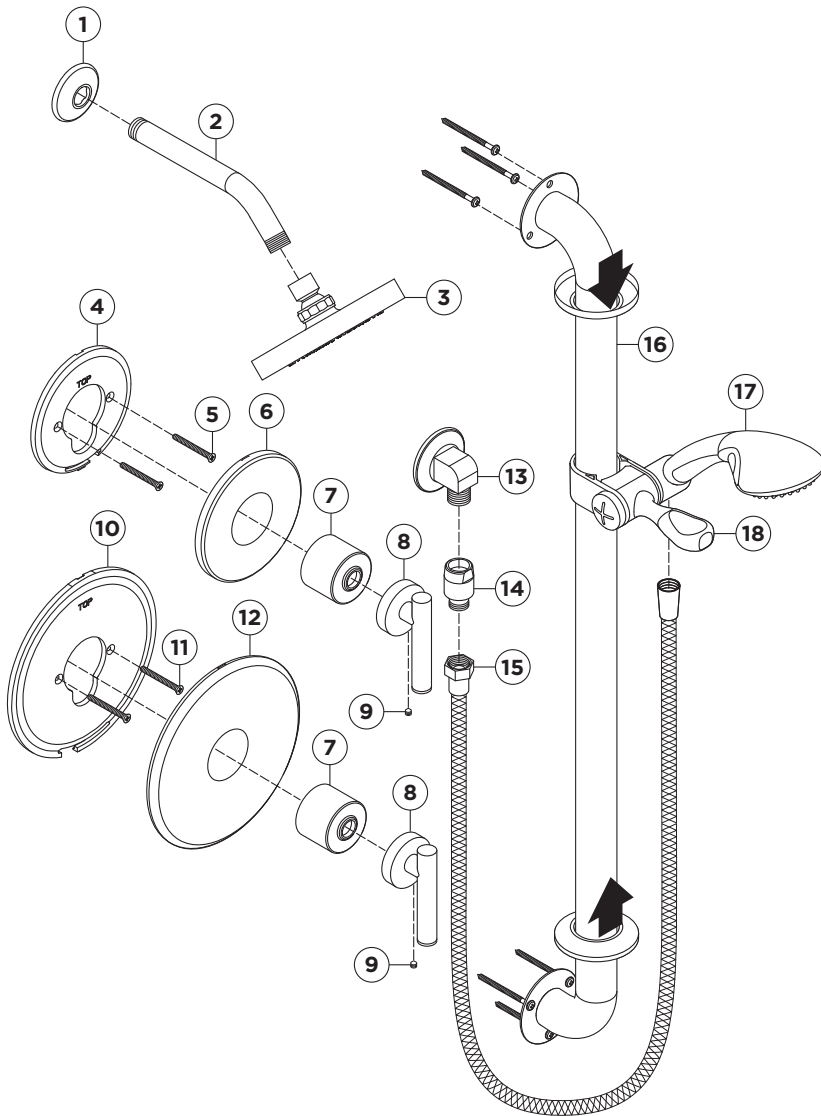
5 Years - for industrial/commercial installations.
Refer to symmons.com/warranty for complete warranty information.

DIMENSIONS



Note: Dimensions subject to change without notice.



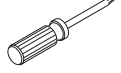
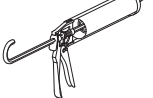
INSTALLATION/PARTS BREAKDOWN



Notes:

- 1) Apply a bead of silicone around the perimeter of all shower trim installed flush to the finished wall (less mounting plates and brackets). Leave opening on bottom of escutcheon for weep hole.
- 2) Apply plumber tape to threaded connections as necessary. DO NOT use plumber tape on fittings with face seal washers or o-rings.

Item	Description	Part Number
1	Flange	300S
2	Shower Arm	300S
3	Showerhead 2.0 Showerhead 1.75	532SH-2.0 532SH-1.75
4	Mounting Plate	T-416A
5	Mounting Screws	
6	Diverter Escutcheon	
7	Dome Cover	T-19
8	Handle	T-242A
9	Set Screw	
9	Set Screw	S2H-8D
10	Mounting Plate	T-237NSP-K002
11	Mounting Screws	
12	Shower Escutcheon	
13	Wall Elbow	FP-40
14	Vacuum Breaker	EF-104
15	60" Hose	
16	Slide Bar Assembly	T-600B-36
17	Hand Shower 2.0 Hand Shower 1.75	ADACHS-2.0 ADACHS-1.75
18	Slide Mechanism	FP-SM6

Tools Required	
Adjustable Wrench	
Allen Wrench: Handle (3/16")	
Phillips Head Screwdriver	
Plumber Tape	
Silicone	

⚠ WARNING: This product can expose you to chemicals including lead, which is known to the state of California to cause cancer, birth defects, or other reproductive harm. For more information, go to www.P65Warnings.ca.gov.