

Bakersville Wall

88936 89936, 88937, 89937 | I.1

GENERATION LIGHTING

SAVE THESE INSTRUCTIONS!

GENERAL PRODUCT INFORMATION:

These fixtures are intended to be installed utilizing NEC compliant junction boxes.

This product is safety listed for wet locations.

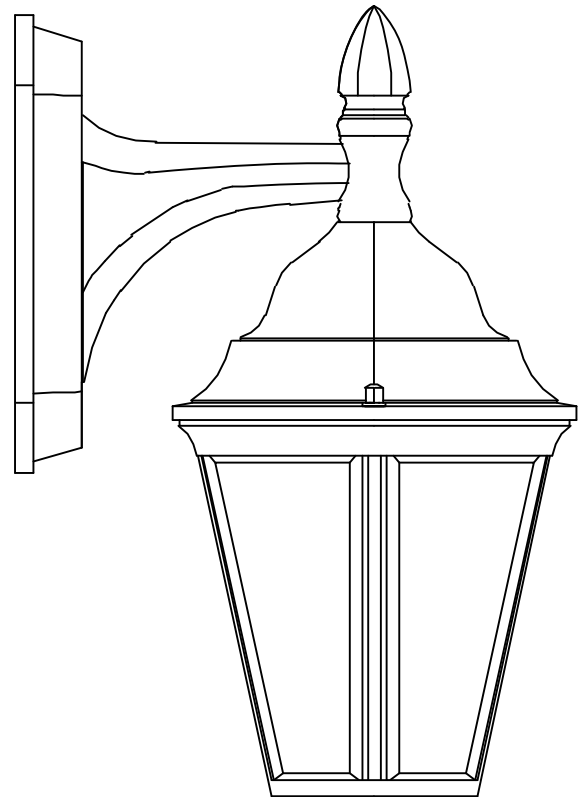
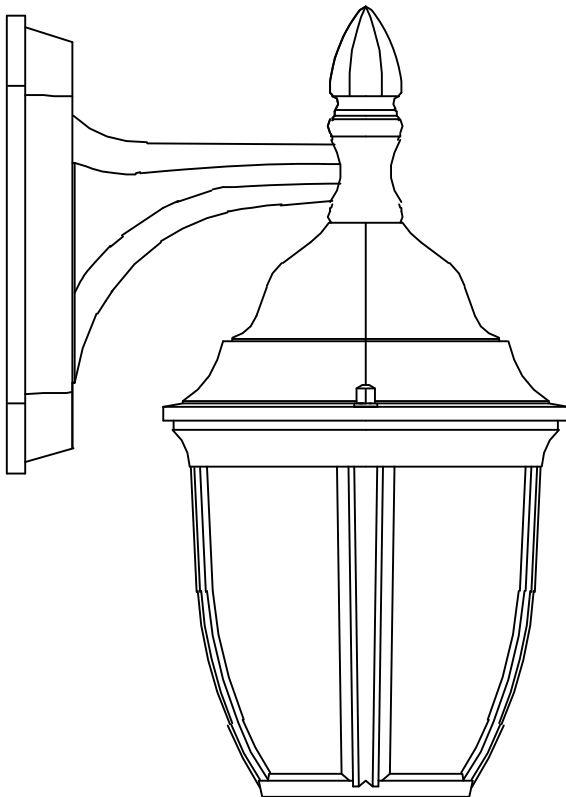
Incandescent version may be dimmed with a standard incandescent dimmer. LED version may be dimmed with a LED dimmer. Consult lamp manufacturer for additional information.

This instruction shows a typical installation.

CAUTION - RISK OF FIRE

This product must be installed in accordance with the applicable installation code by a person familiar with the construction and operation of the product and the hazards involved.

Use minimum 90°c supply conductors.



GENERATION LIGHTING

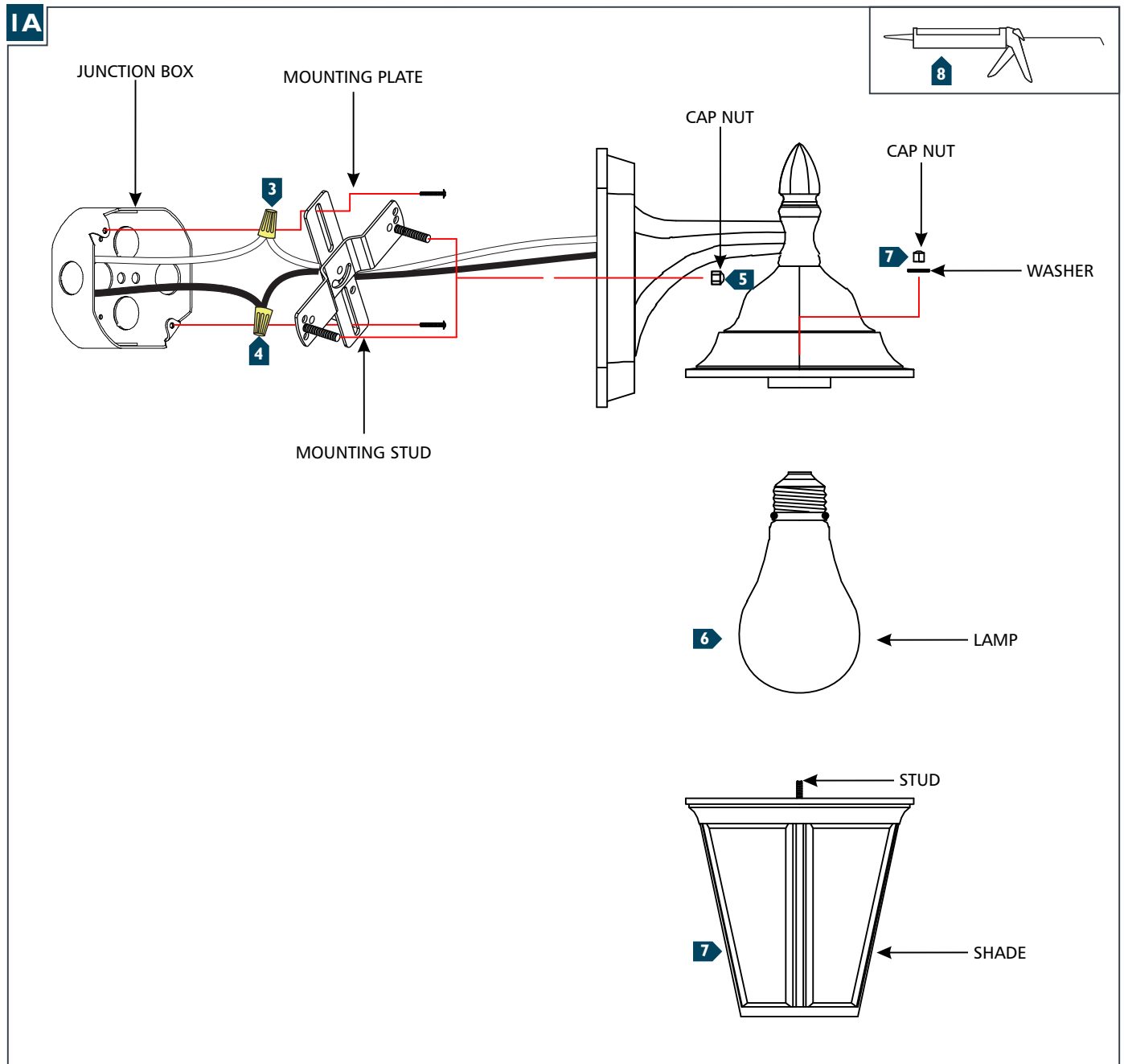
7400 Linder Ave., Skokie, IL 60077

T 847.410.4400 | F

847.410.4500

www.visualcomfort.com

Install the Fixture



- 1 Secure the mounting plate to the junction box.
- 2 Connect the fixture to a suitable ground in accordance with local electrical codes.
- 3 Connect the white fixture wire (square and/or rigid) to the neutral power line wire with a wire nut.
- 4 Connect the black fixture wire (round and/or smooth) to the hot power line wire with a wire nut.
- 5 Neatly place all the wires into the junction box, align and place the fixture base onto the mounting studs, then secure it with the washers and cap nuts. **NOTE: Use the swivel on the mounting plate to adjust position as necessary.**
- 6 Screw the lamp(s) into the socket(s). Refer to the label on the socket for Max Wattage Information.
- 7 Lift the shade up to the fixture and place a washer over the stud on each side, then secure with the cap nut.
- 8 For Wet Locations, caulk around the base of the fixture with waterproof construction sealant.