



IMPORTANT

Carefully remove all the parts from the carton and place them individually on a soft cloth to prevent scratches or other damage.

Carefully and strictly follow these assembly instructions to ensure a completed product as designed.

Do not use power tools above 8 volts to assemble.

Part List

- A. Base
1 pc.
- B. Front Rail
1 pc.
- C. Back Rail
1 pc.
- D. Back Rail
1 pc.
- E. Shelf
4 pcs.
- F. Support
2 pcs.
- G. Side Panel
1 pc.
- H. Middle Panel
1 pc.
- I. Middle Panel
1 pc.
- J. Side Panel
1 pc.
- K. Back Upright
1 pc.
- L. Back Upright
1 pc.
- M. Back Panel
3 pcs.
- N. Door
1 pc.
- O. Door
1 pc.
- P. Drawer
1 pc.
- Q. Drawer
3 pcs.

Refer to later page(s) of these instructions for drawer assembly.

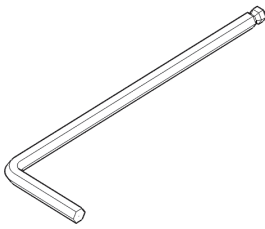
20 09100 Top carton is also need for assembly.

Tool(s) required for assembly: Phillips screwdriver

Home Styles Customer Service: www.homestyles-furniture.com,
 servicedesk@homestyles-furniture.com, 888-680-7460, 877-831-0319

Assembly Instructions 2/10

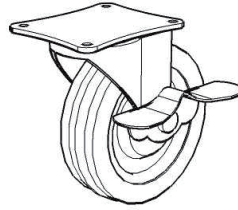
Hardware List



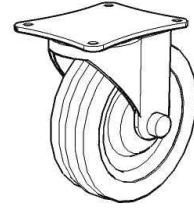
Hex Wrench
1 pc.



Small Hex Wrench
1 pc.



Locking Caster
2 pcs.



Non-Locking Caster
2 pcs.



Cam Lock Screw
15 pcs. (+1 extra)



Cam Lock
15 pcs. (+2 extra)



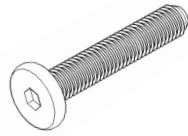
Flat Washer
16 pcs. (+1 extra)



Spring Washer
16 pcs. (+1 extra)



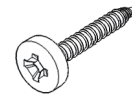
M6x20
Head Cap Bolt (short)
20 pcs. (+1 extra)



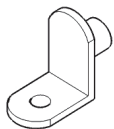
M6x30
Head Cap Bolt
10 pcs. (+1 extra)



M3.5x15
Wood Screw (short)
40 pcs. (+1 extra)



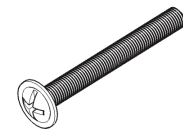
M3.5x25
Wood Screw (long)
32 pcs. (+1 extra)



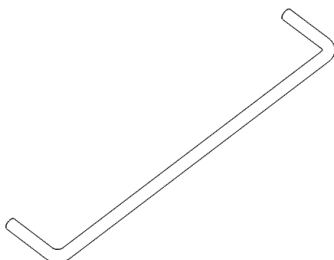
Adjustable Pin
16 pcs. (+1 extra)



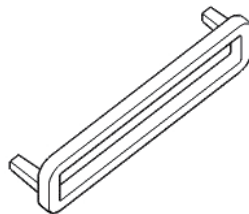
M4x25
Machine Screw
4 pcs.



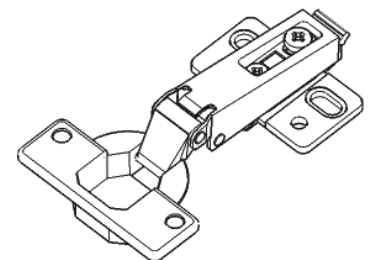
M4x35
Machine Screw (long)
8 pcs.



Towel Bar
2 pcs.



Handle
6 pcs.

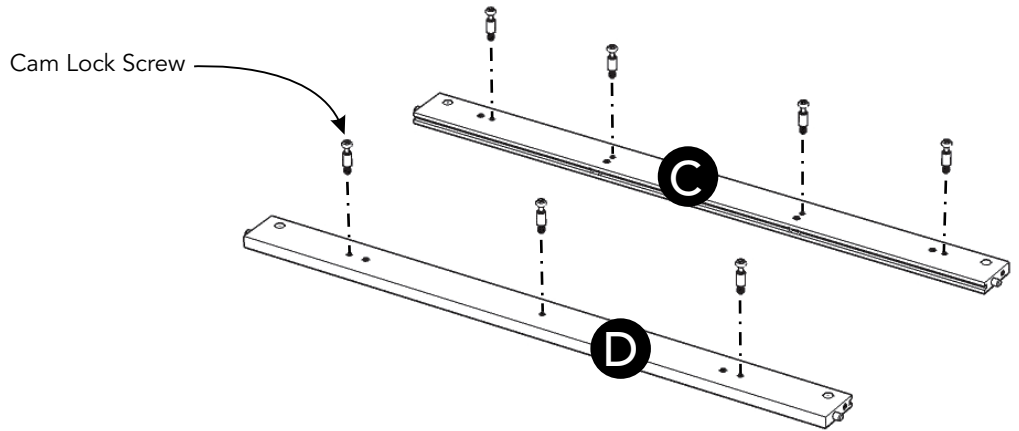


Hinge
4 pcs.

Assembly Instructions 3/10

IMPORTANT

- Use a soft cloth between these parts and the floor.
- Do not use power tools above 8 volts to assemble.
- Do not tighten all the bolts until each part is properly assembled.
- Keep Hex Wrench as the bolts may need to be tightened in the future.



STEP 1

Insert Cam Lock Screws into pre-drilled holes in Back Rails (C), (D), Side Panels (G), (J) and Back Uprights (K), (L) then tighten. (See Figure 1)

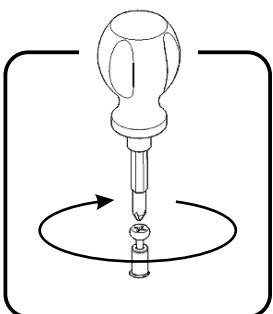
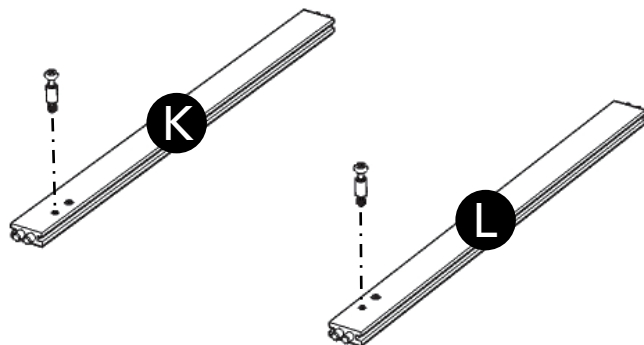
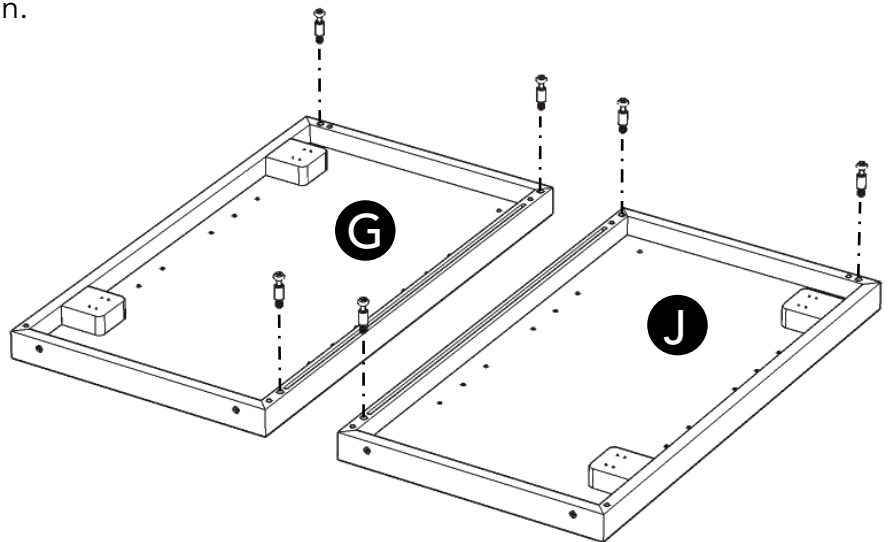


Figure 1

STEP 2

Attach Base (A) to Back Rail (D) with Cam Locks. (See Figure 2)

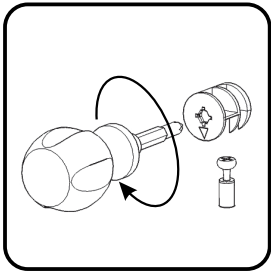
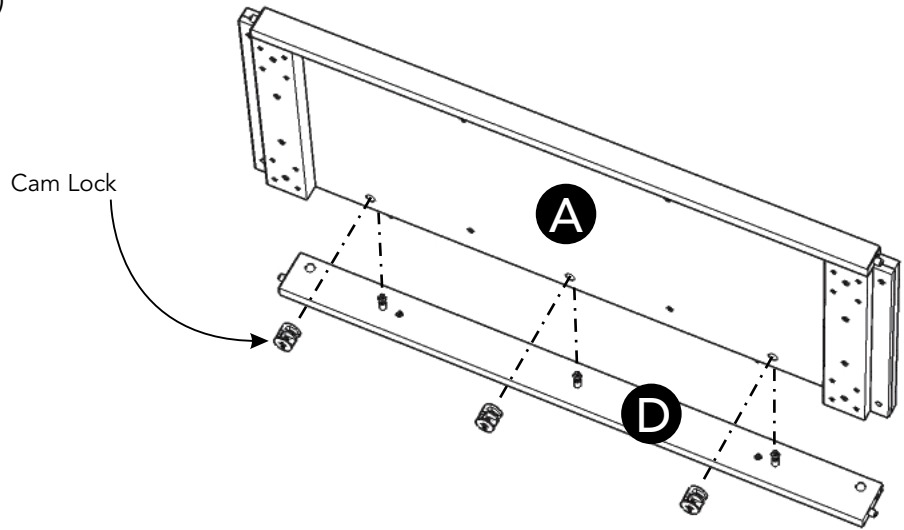


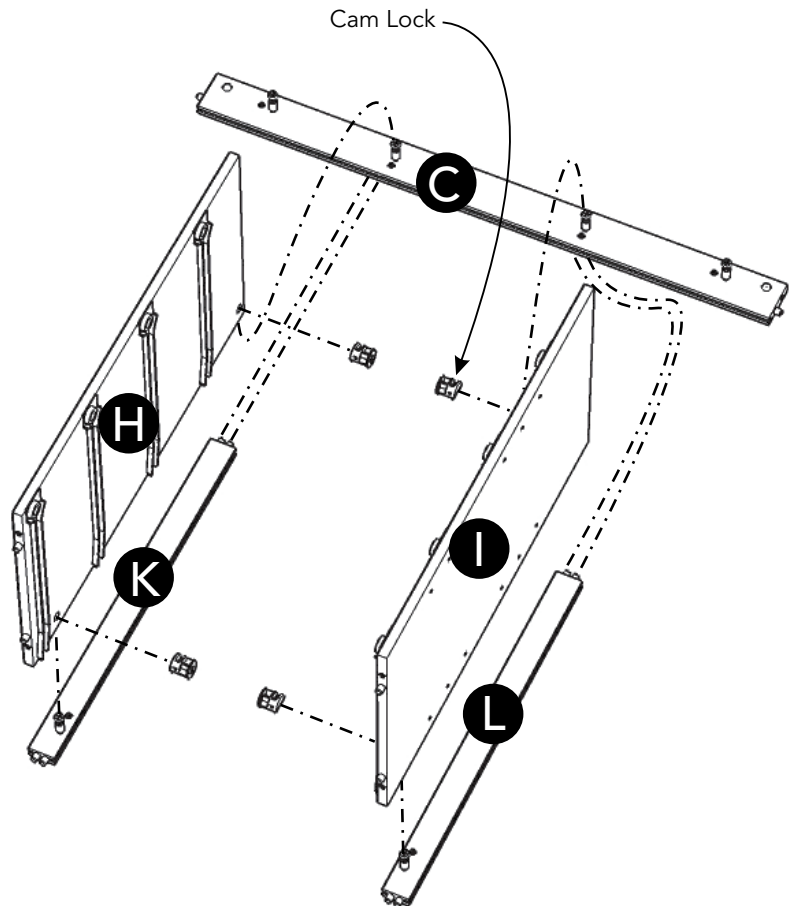
Figure 2



STEP 3

Attach Back Uprights (K) and (L) to Back Rail (C).

Attach Middle Panels (H) and (I) to unit with Cam Locks.



STEP 4

Slide Back Panels (M) into position.

Attach unit from Step 2 to unit with Head Cap Bolts. (See Figure 3)

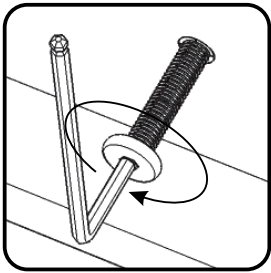
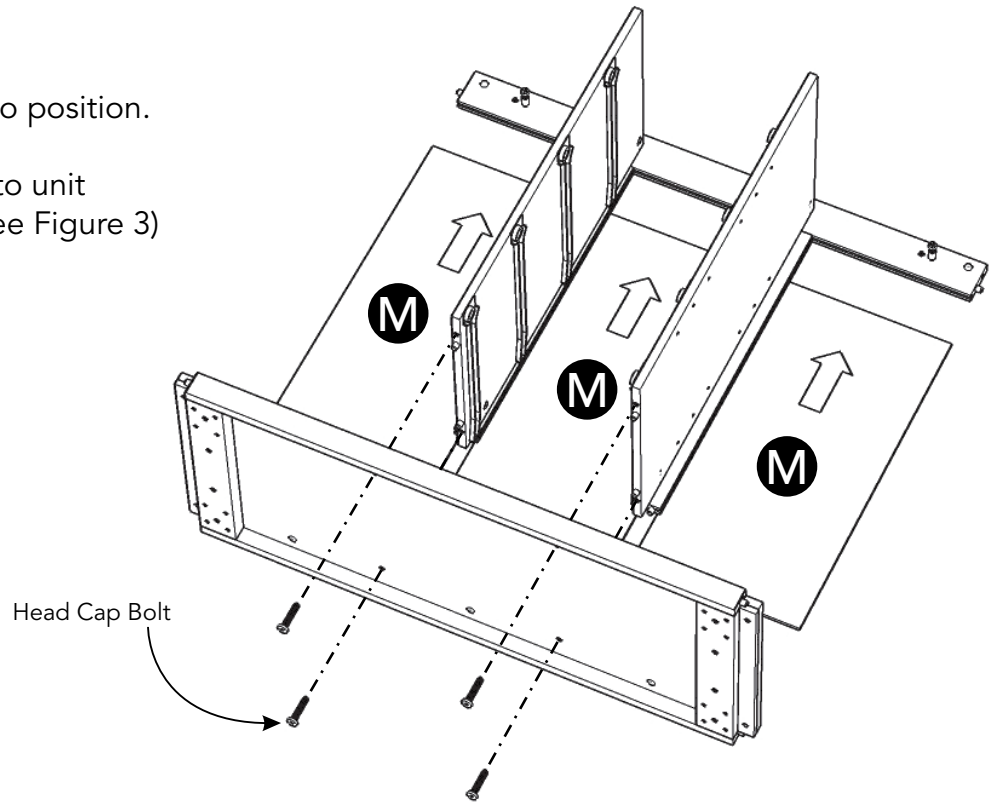


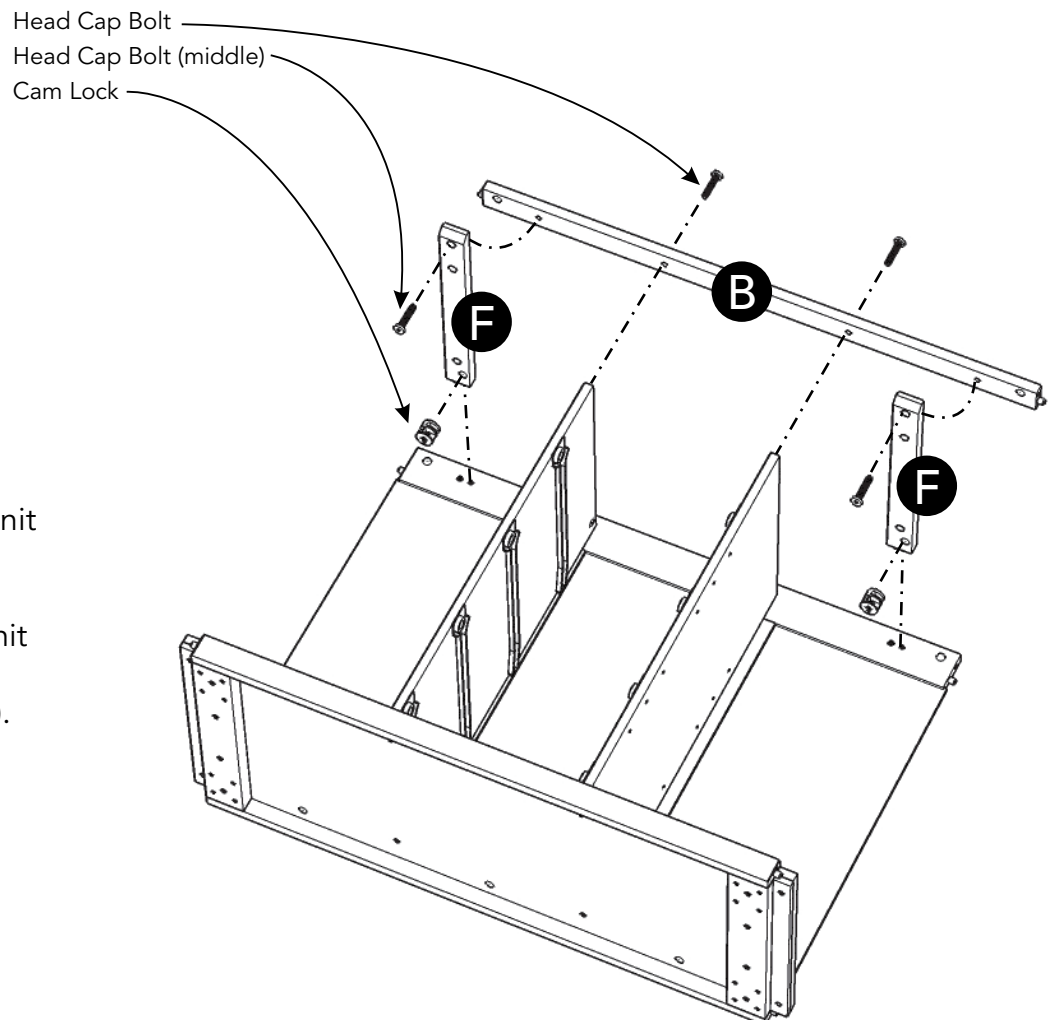
Figure 3



STEP 5

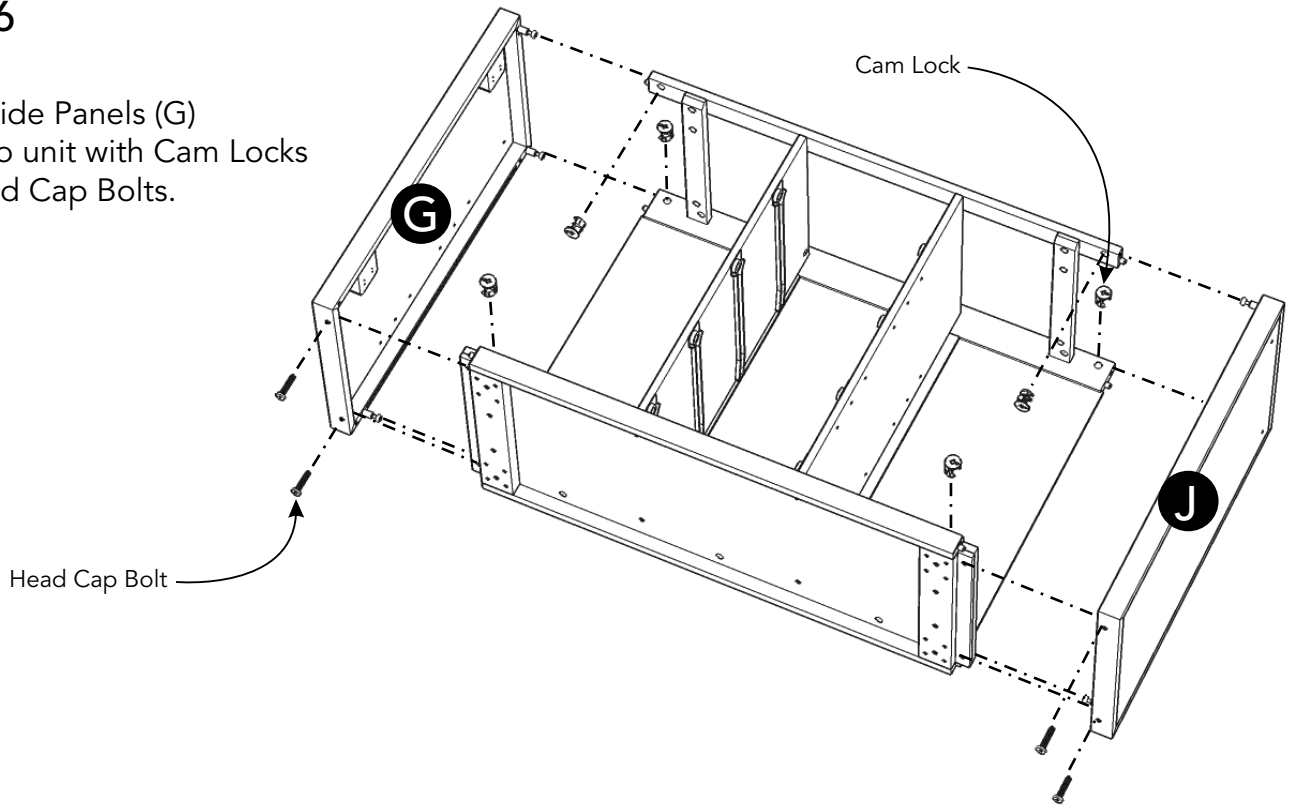
Attach Front Rail (B) to unit with Head Cap Bolts.

Attach Supports (F) to unit with Cam Locks and Head Cap Bolts (middle).



STEP 6

Attach Side Panels (G) and (J) to unit with Cam Locks and Head Cap Bolts.



STEP 7

Attach Towel Bars to unit with Head Cap Bolts (short).

Attach Casters to unit with Flat Washers, Spring Washers and Head Cap Bolts (short), with Locking Casters at front, tightening bolts only halfway. (See Figure 4)

Tighten all Head Cap Bolts (short).

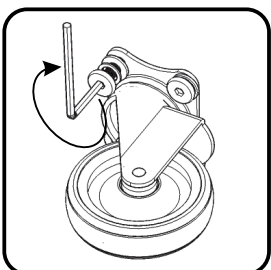
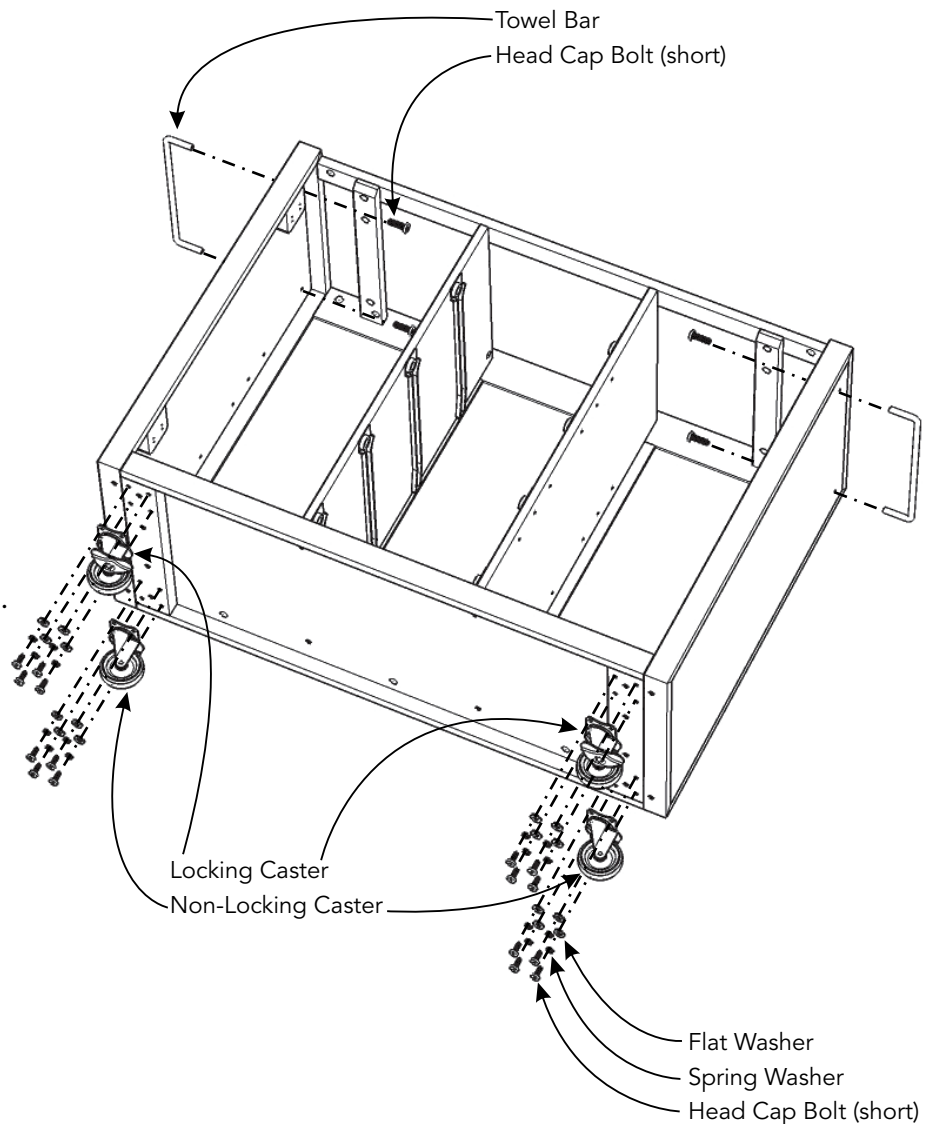


Figure 4

Assembly Instructions 7/10

STEP 8

Attach Hinges to Doors (N) and (O) with Wood Screws (short) into pre-drilled holes, then tighten. (See Figure 5)

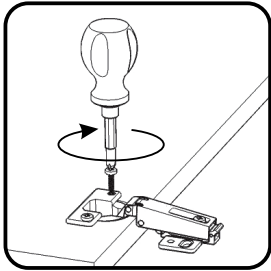
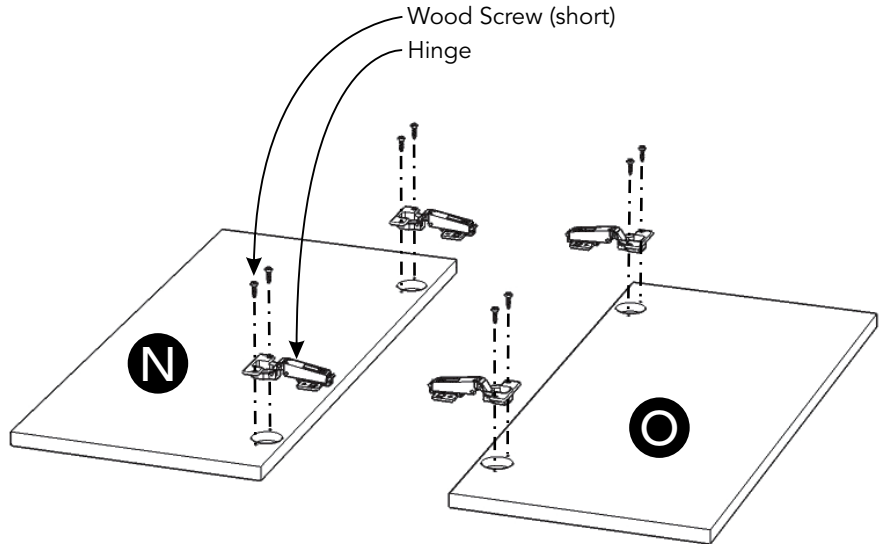


Figure 5



STEP 9

Attach Doors (N) and (O) to unit with Wood Screws (short) into pre-drilled holes, then tighten. (See Figure 6)

Attach Handles to Doors (N) and (O) with Machine Screws. (See Figure 7)

Insert Adjustable Pins into side panels and middle panels at desired level.

Place Shelves (E) into position.

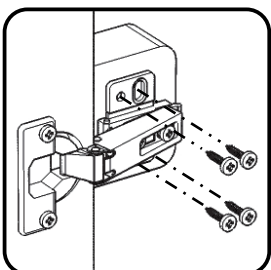
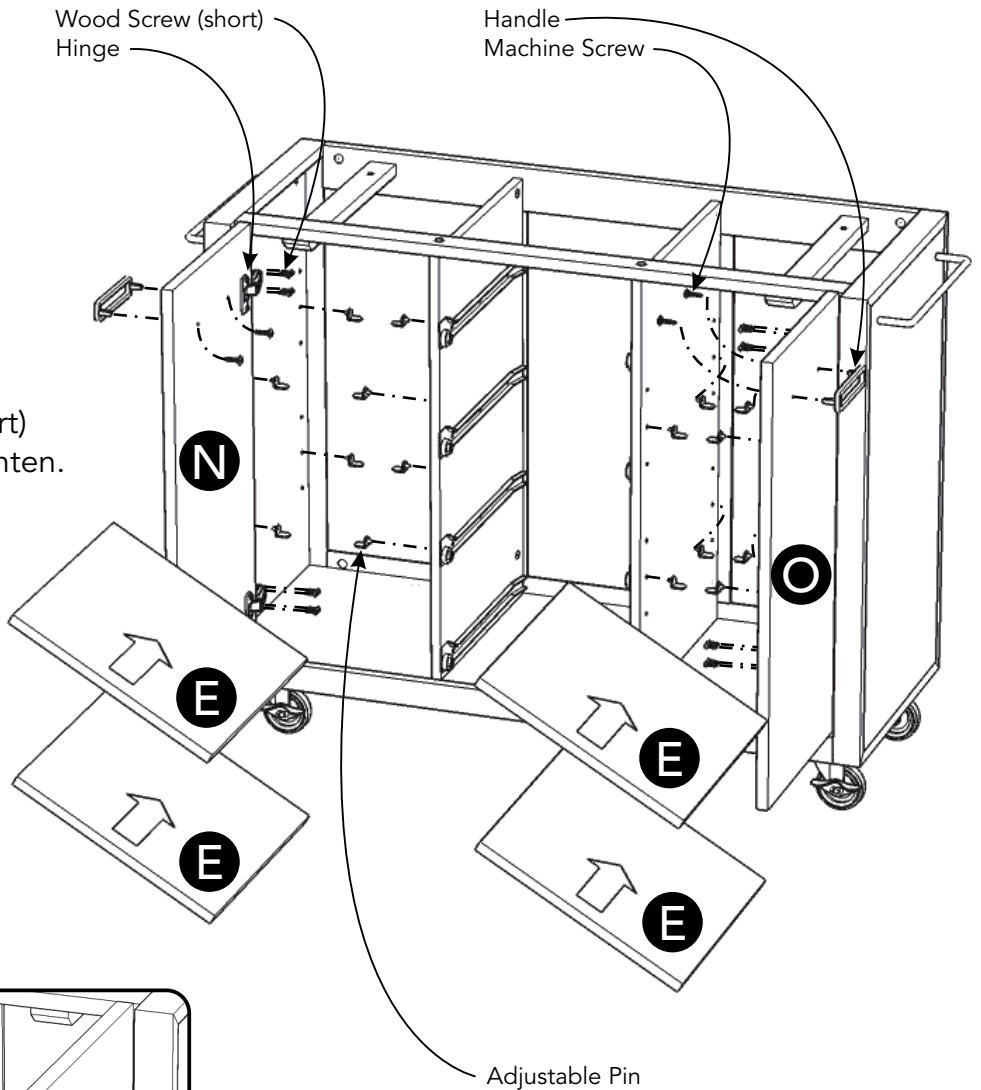


Figure 6

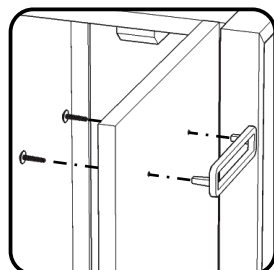
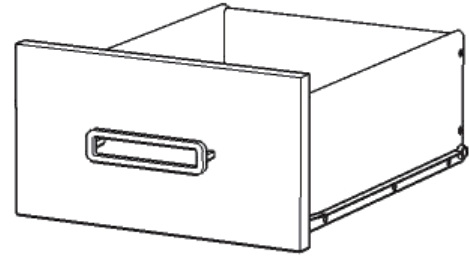


Figure 7

Assembly Instructions 8/10

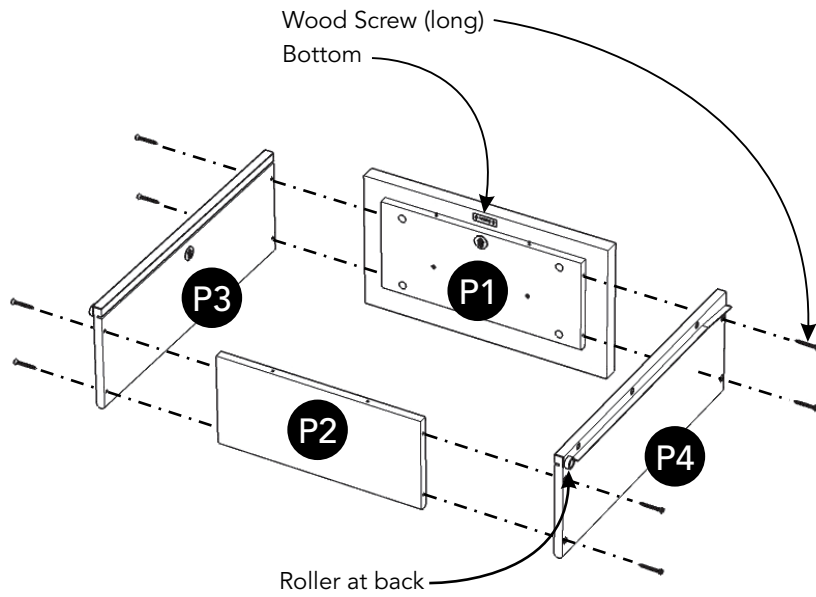
Drawer (P)



STEP 10

Attach Drawer Front (P1) and Drawer Back (P2) to Drawer Side (P3) with Wood Screws (long).

Attach Drawer Side (P4) to unit with Wood Screws (long).

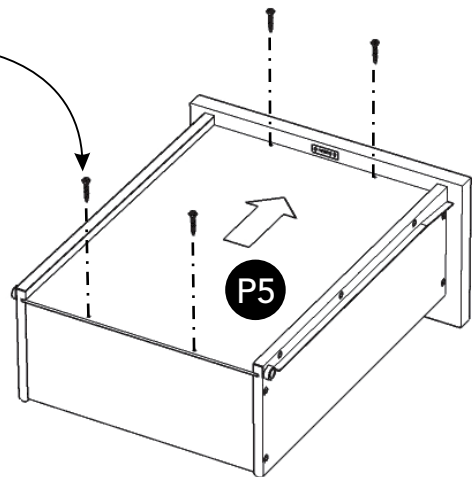


STEP 11

Slide Drawer Bottom (P5) into groove.

Attach Drawer Bottom (P5) to unit with Wood Screws (short).

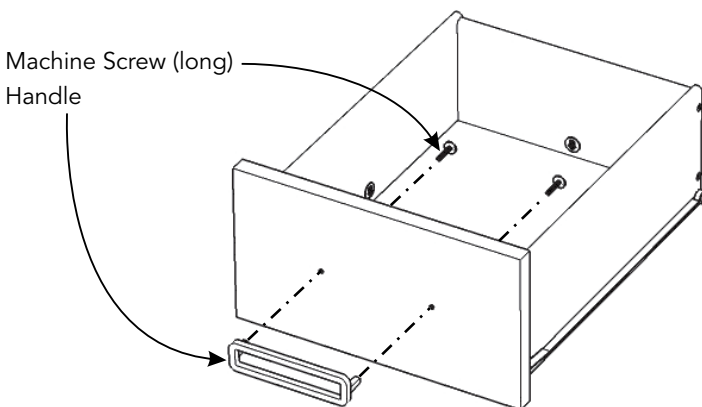
Wood Screw (short)



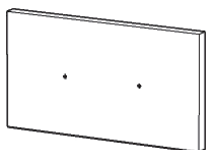
STEP 12

Attach Handle with Machine Screws (long).

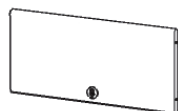
Machine Screw (long)
Handle



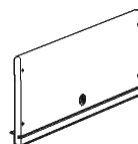
Part List



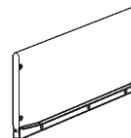
P1.
Drawer Front
1 pc.



P2.
Drawer Back
1 pc.



P3.
Drawer Side
1 pc.



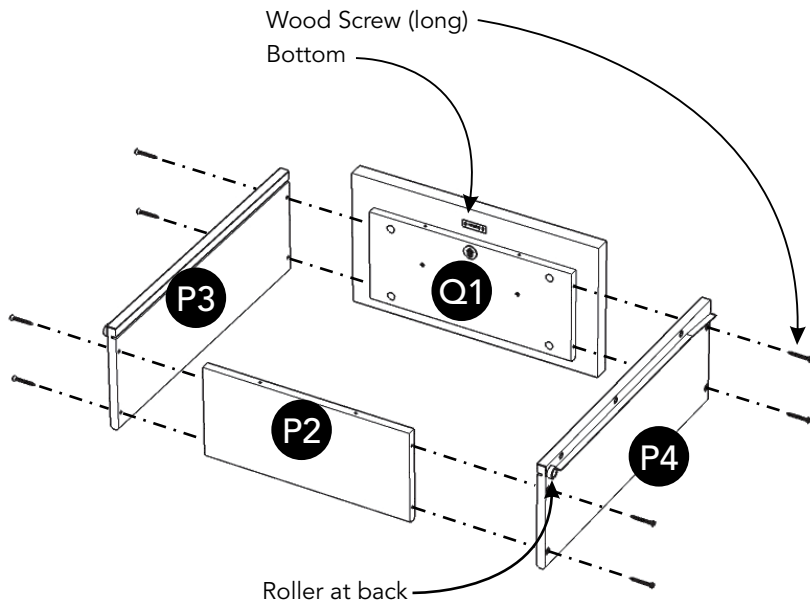
P4.
Drawer Side
1 pc.



P5.
Drawer Bottom
1 pc.

Assembly Instructions 9/10

Drawer (Q)



STEP 13

Attach Drawer Front (Q1) and Drawer Back (P2) to Drawer Side (P3) with Wood Screws (long).

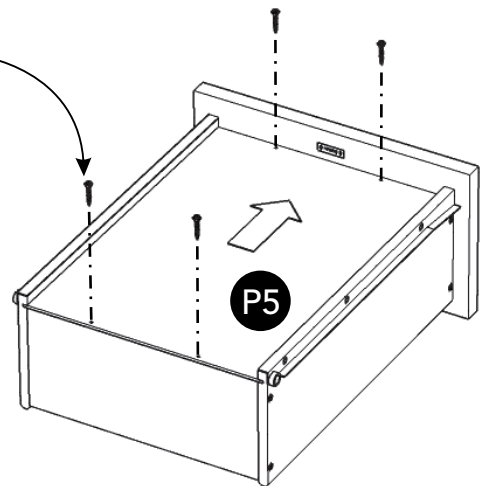
Attach Drawer Side (P4) to unit with Wood Screws (long).

STEP 14

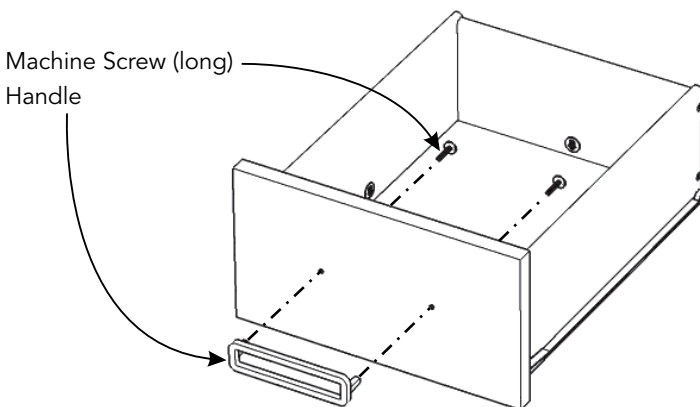
Slide Drawer Bottom (P5) into groove.

Attach Drawer Bottom (P5) to unit with Wood Screws (short).

Wood Screw (short)



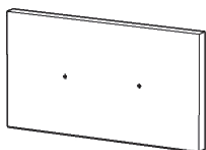
Machine Screw (long)
Handle



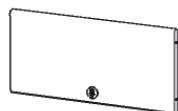
STEP 15

Attach Handle with Machine Screws (long).

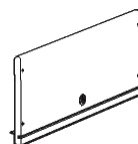
Part List



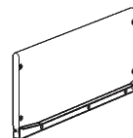
Q1.
Drawer Front
3 pcs.



P2.
Drawer Back
3 pcs.



P3.
Drawer Side
3 pcs.



P4.
Drawer Side
3 pcs.



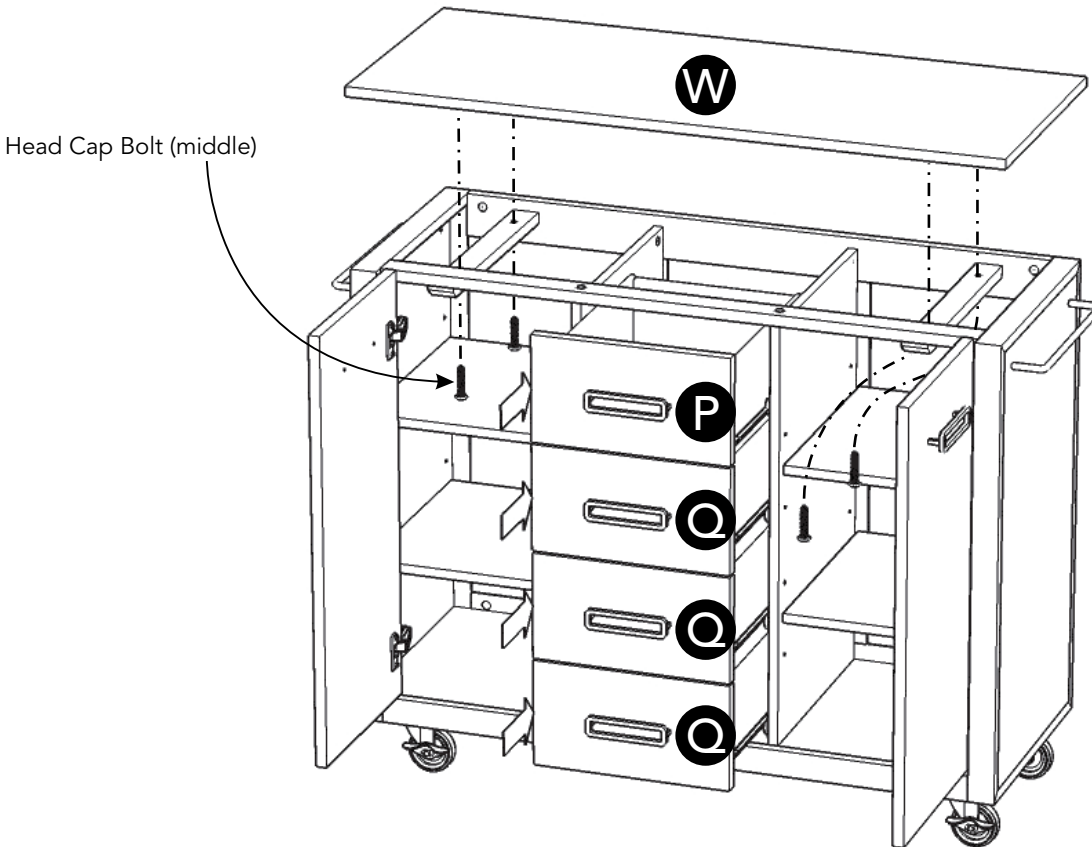
P5.
Drawer Bottom
3 pcs.

STEP 16

Attach Top (W) to unit with Head Cap Bolts (middle).

Slide Drawers (P) and (Q) into position.

Note: Supports (V) from 20 09100 Top carton are not used in this assembly.



STEP 17

If needed, adjust doors up or down by removing the front Wood Screws (short) and loosening slightly the back Wood Screws (short) from side panel, adjusting doors up or down and re-installing screws. (See Figure 8).

If needed, adjust doors left to right. (See Figure 9)

If needed, adjust doors front to back. (See Figure 10)

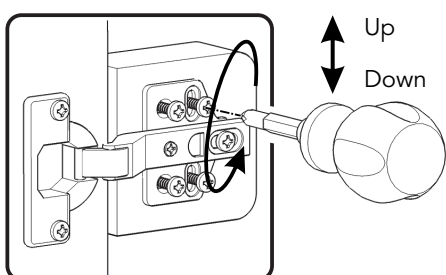


Figure 8

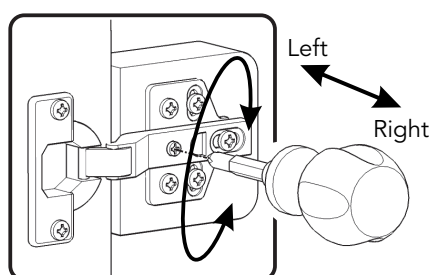


Figure 9

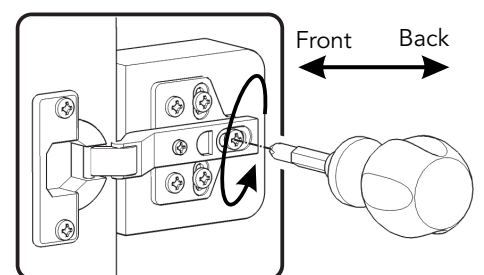


Figure 10

CARE INSTRUCTIONS

NEVER

allow liquids to remain on furniture.
Absorption causes parts to warp
and split and finishes to delaminate.

NEVER

use glass cleaners on
finished furniture. Ammonia
chemically attacks the finish.



Do not use power tools
above 8 volts to assemble.
**PREVENT
CRACKING**



Do not place
in direct sunlight.
**PREVENT
FADING**



Do not write
directly on surface.
**PREVENT
MARKING**



Do not place hot
objects on surface.
**PREVENT
FINISH DAMAGE**



Do not use rubber
based placemats.
**PREVENT
DISCOLORING**



Do not use commercial
waxes and polishes.
**PREVENT
YELLOWING**

CLEAN

with a soft cloth moistened
in lukewarm soap and water.
Buff with a dry clean cloth.



Home Styles will provide replacements free of charge for missing or damaged hardware or parts within 30 days of purchase. Digital images of the defective parts may be required. If the product was not purchased from an authorized retail affiliate, Home Styles is under no obligation to provide replacement parts. Parts are not available for fully assembled items nor are parts available for sale. Replacements for missing or damaged hardware or parts may be requested at:

www.homestyles-furniture.com/customer-service/replacement-parts

Home Styles Customer Service: www.homestyles-furniture.com,
servicedesk@homestyles-furniture.com, 888-680-7460, 877-831-0319